



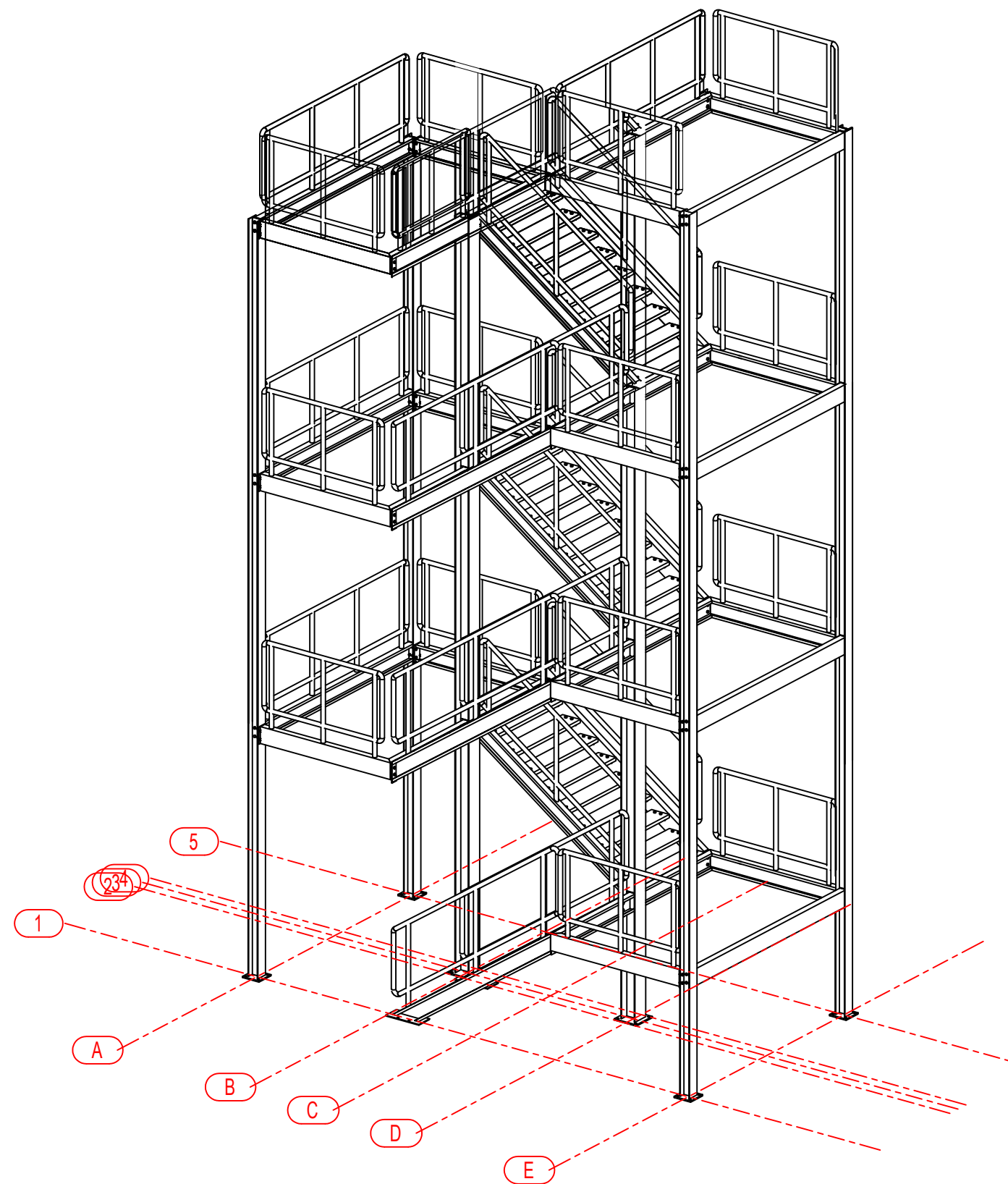
REPUBLIKA E SHQIPERISE
DREJTORIA E SPITALIT RAJONAL DIBER

PROJEKTI I SHKALLES SE EMERGJENCES

OBJEKTI:

"HARTIM PROJEKTI ME OBJEKT RIKONSTRUKSIONI I
SPITALIT RAJONAL DIBER "RRAHIM XHIKA"

SHKALLA E EMERGJENCES
Pamje ne Prespektive



Porositesi: Drejtoria Spitalit Rajonal Diber

OBJEKTI : HARTIM PROJEKTI ME OBJEKT RIKONSTRUKSIONI I
SPITALIT RAJONAL DIBER "RRAHIM XHIKA"

Emertimi: KAPAK
"ARABEL - STUDIO" Sh.p.k



Adresa:
Diber, Peshkopi,
Lagjja Gjoke Doçi,
Bulevardi Elez Isufi,
Ndertesa Nr.05

"NET Group" sh.p.k



Adresa:
Tirane Rruga "Demokracia",
ndertesa nr.1

Drejtues i projektit

Adm.Ana NISHKU

Inxh.Liliana VLLAMASI

Projektues

Inxh.Valter BEGAJ

Ark.Rigert HYRA

Hid.Luljeta KUCI

Elek. Altin ALLKAJ

Mek. Bujar MERAJ

Top. Iv BEQARI

SHKALLA

1 : 175

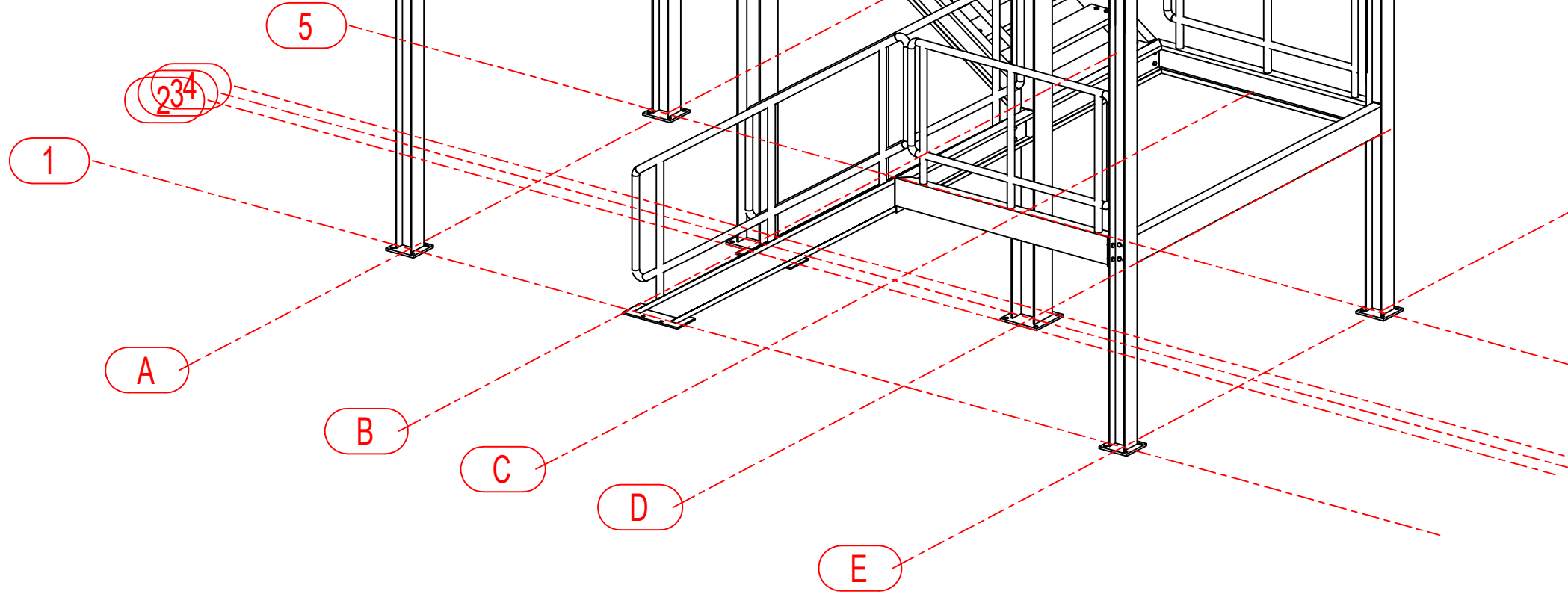
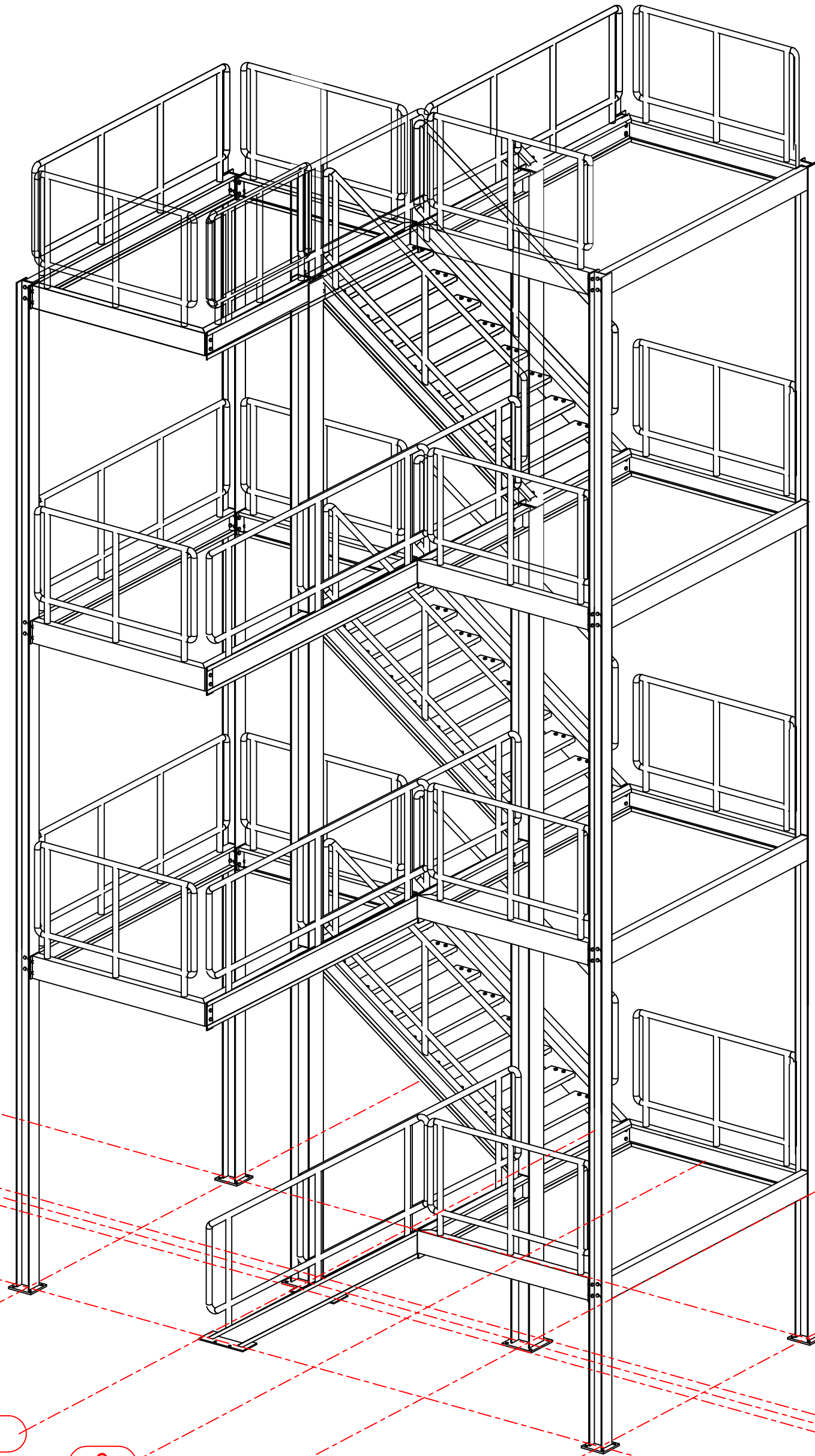
Tiranë 2022

FLETA

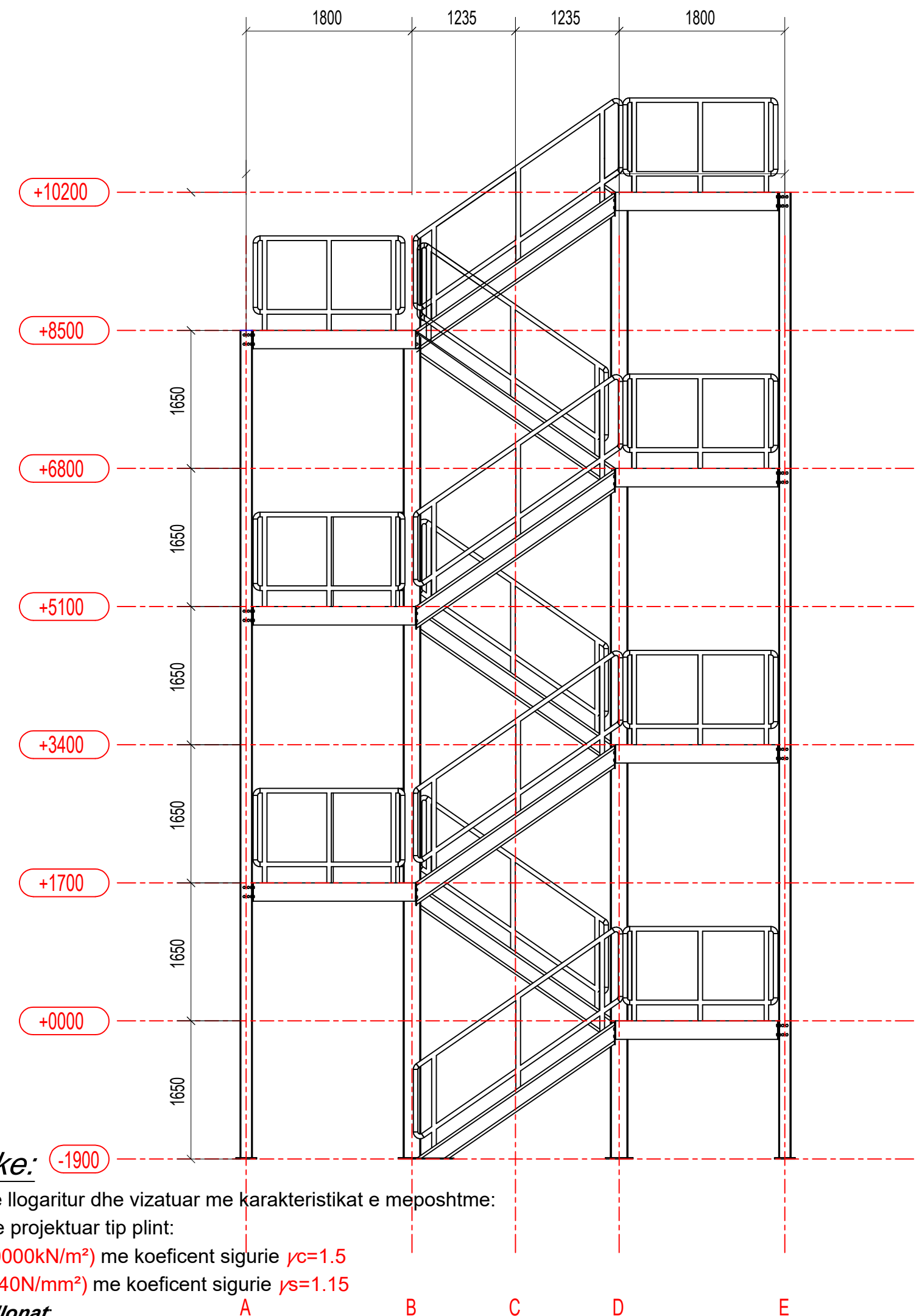
SA.001

Format A2

SHKALLA E EMERGJENCES
Pamje ne Prespektive



SHKALLA E EMERGJENCES
Pamje Anesore



Shenime Teknike:

Elementet strukturor jane llogaritur dhe vizatuar me karakteristikat e meposhtme:

- Themelet:** Themelet jane projektuar tip plint:
- Betoni C-20/25 ($f_{ck}=20000kN/m^2$) me koeficient sigurie $\gamma_c=1.5$
 - Armimi FeB 44k ($f_{ys}=440N/mm^2$) me koeficient sigurie $\gamma_s=1.15$
- Muret e betonit dhe kollonat:**
- Betoni C-20/25 ($f_{ck}=20000kN/m^2$) me koeficient sigurie $\gamma_c=1.5$
 - Armimi FeB 44k ($f_{ys}=440N/mm^2$) me koeficient sigurie $\gamma_s=1.15$
- Traret e betonit:**
- Betoni C-20/25 ($f_{ck}=20000kN/m^2$) me koeficient sigurie $\gamma_c=1.5$
 - Armimi FeB 44k ($f_{ys}=440N/mm^2$) me koeficient sigurie $\gamma_s=1.15$
- Soletat e betonit:**
- Betoni C-20/25 ($f_{ck}=20000kN/m^2$) me koeficient sigurie $\gamma_c=1.5$
 - Armimi FeB 44k ($f_{ys}=440N/mm^2$) me koeficient sigurie $\gamma_s=1.15$

LEGJENDA	
- Kollona	HEA
- Pllakat fundore	Çelik Fe360
- Bulonat	Bulon klasa 4.6
	Toleranca e brimave 0.1mm
Saldimet	Trashësia minimale 8.5mm

Porositesi: Drejtoria Spitalit Rajonal Diber

OBJEKTI : HARTIM PROJEKTI ME OBJEKT RIKONSTRUKSIONI I SPITALIT RAJONAL DIBER "RRAHIM XHIKA"

Emertimi: SHKALLA E EMERGJENCES

"ARABEL - STUDIO" Sh.p.k
Adresa: Diber, Peshkopi, Lagjja Gjoke Doçi, Bulevardi Elez Isufi, Ndertesa Nr.05

"NET Group" sh.p.k
Adresa: Tirane Rruga "Demokracia", ndertesa nr.1

Drejtesues i projektit

Adm.Ana NISHKU
Inxh.Liliana VLLAMASI

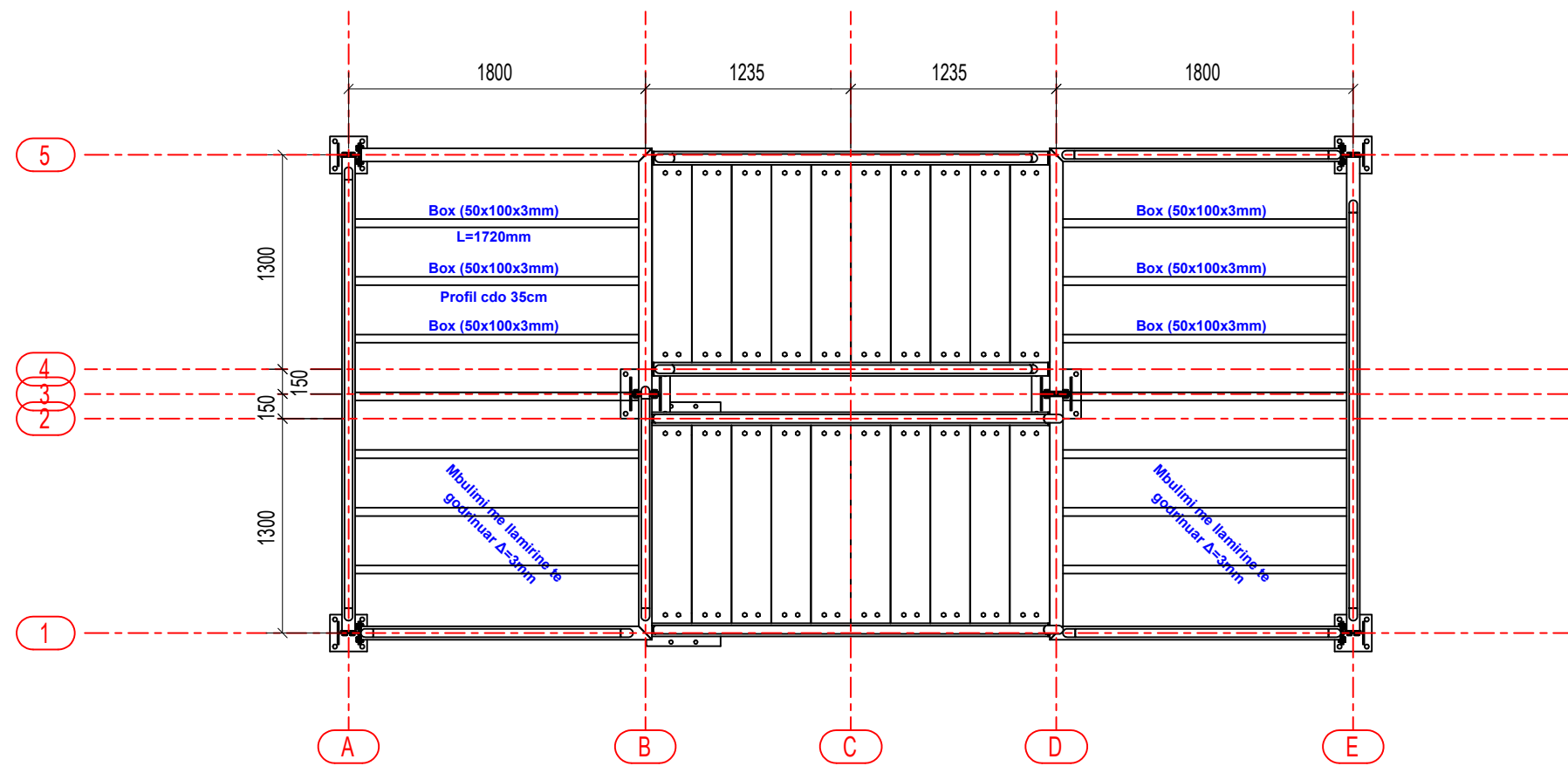
Projektues

Inxh.Valter BEGAJ
Ark.Rigert HYRA
Hid.Luljeta KUCI

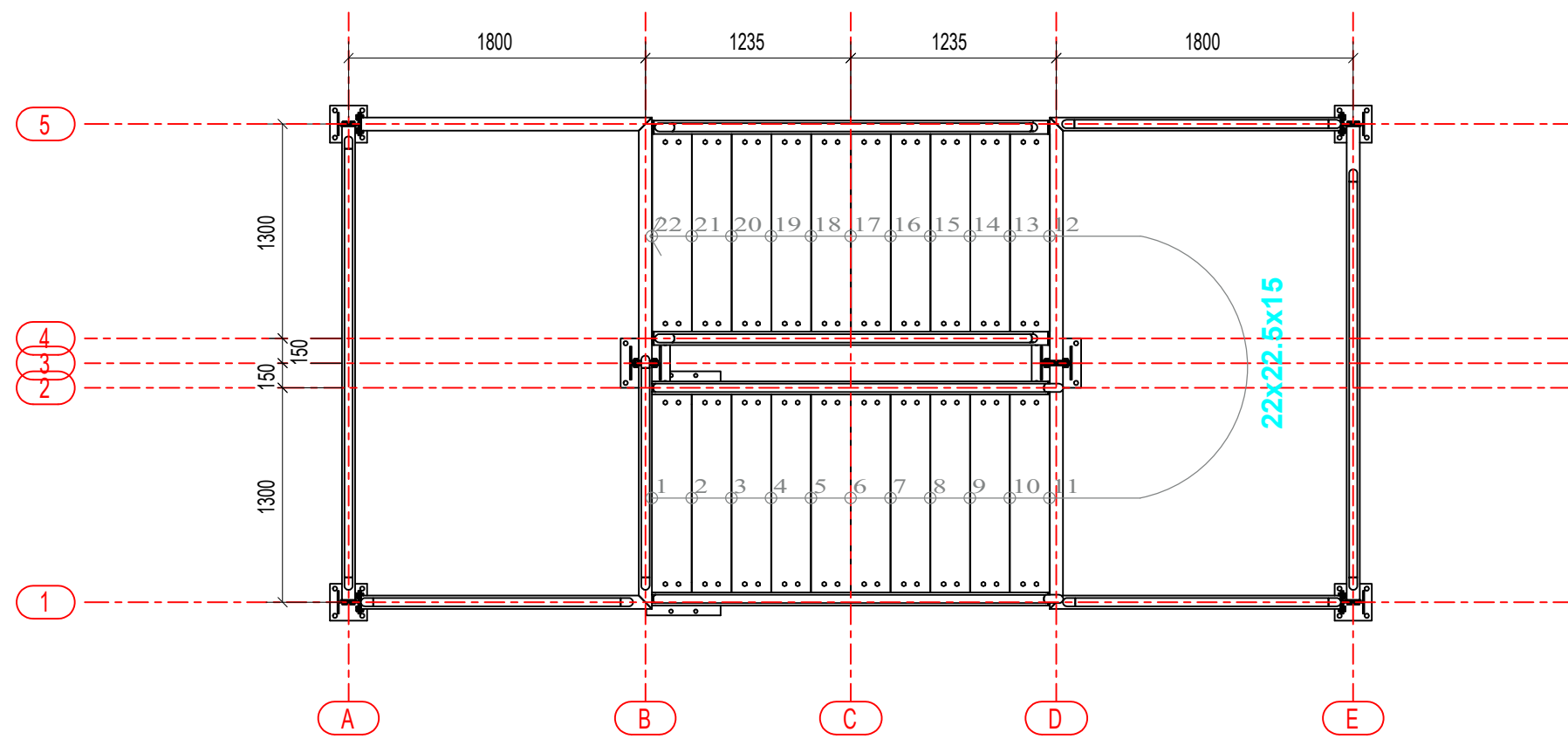
Elek. Altin ALLKAJ
Mek. Bujar MERAJ
Top. Iv BEQARI

SHKALLA	FLETA
1 : 100	A- 4 - 01
Tiranë 2022	Format A2

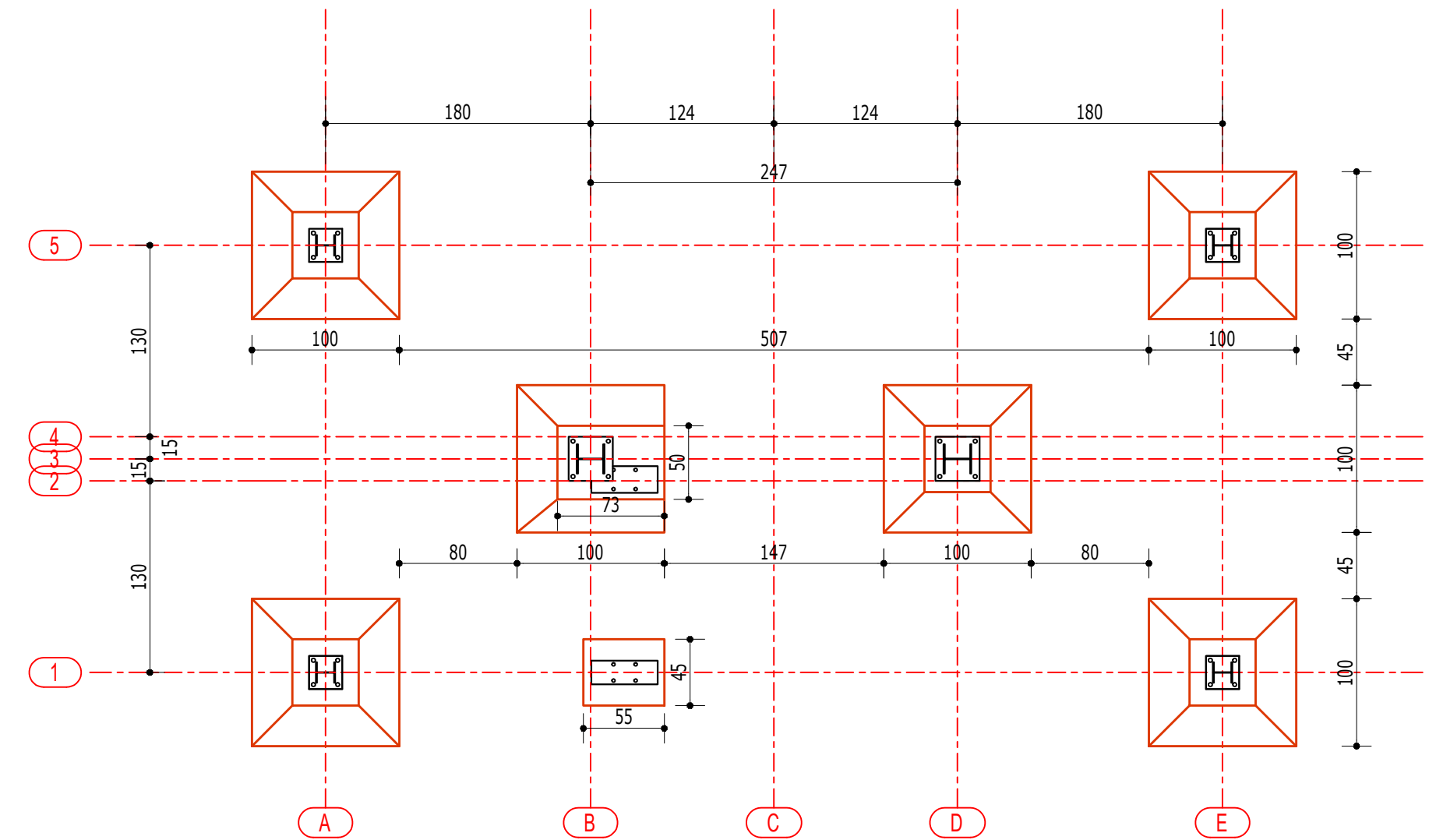
SHKALLA E EMERGJENCES Planimetria Teknike



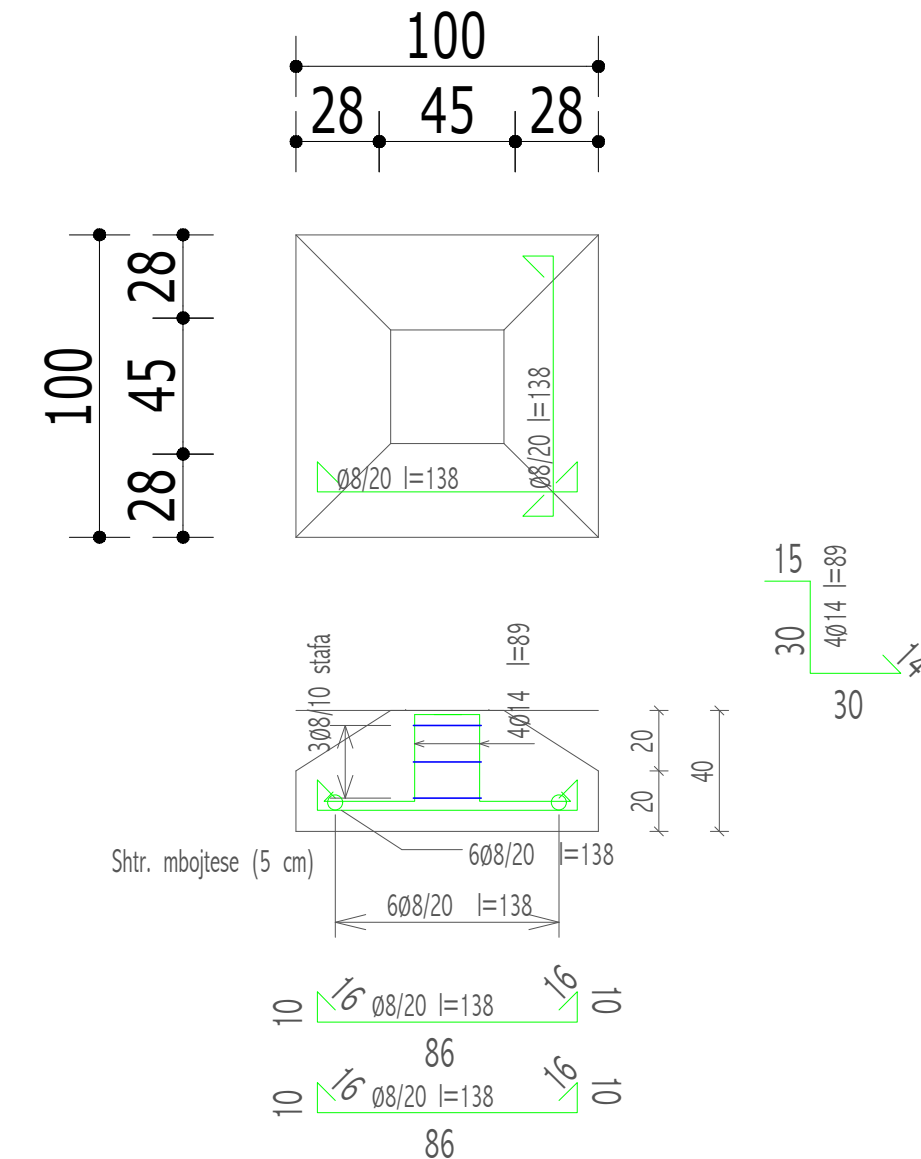
Planimetria Arkitektonike



Plani i Themeleve



PRERJE PLINTI



LEGJENDA	
- Kollona	HEA
- Pllakat fundore	Çelik Fe360
- Bulonat	Bulon klasa 4.6
	Toleranca e brimave 0.1mm
	Saldimet
	Trashësia minimale 8.5mm

Porositesi: Drejtoria Spitalit Rajonal Diber

OBJEKTI : HARTIM PROJEKTI ME OBJEKT RIKONSTRUKSIONI I SPITALIT RAJONAL DIBER "RRAHIM XHIKA"

Emertimi: SHKALLA E EMERGJENCES

"ARABEL - STUDIO" Sh.p.k



Adresa:
Diber, Peshkopi,
Lagjja Gjoke Doçi,
Bulevardi Elez Isufi,
Ndertesa Nr.05

"NET Group" sh.p.k



Adresa:
Tirane Rruga "Demokracia",
ndertesa nr.1

Drejtesues i projektit

Adm.Ana NISHKU

Inxh.Liliana VLLAMASI

Projektues

Inxh.Valter BEGAJ

Ark.Rigert HYRA

Hid.Luljeta KUCI

Elek. Altin ALLKAJ

Mek. Bujar MERAJ

Top. Iv BEQARI

SHKALLA

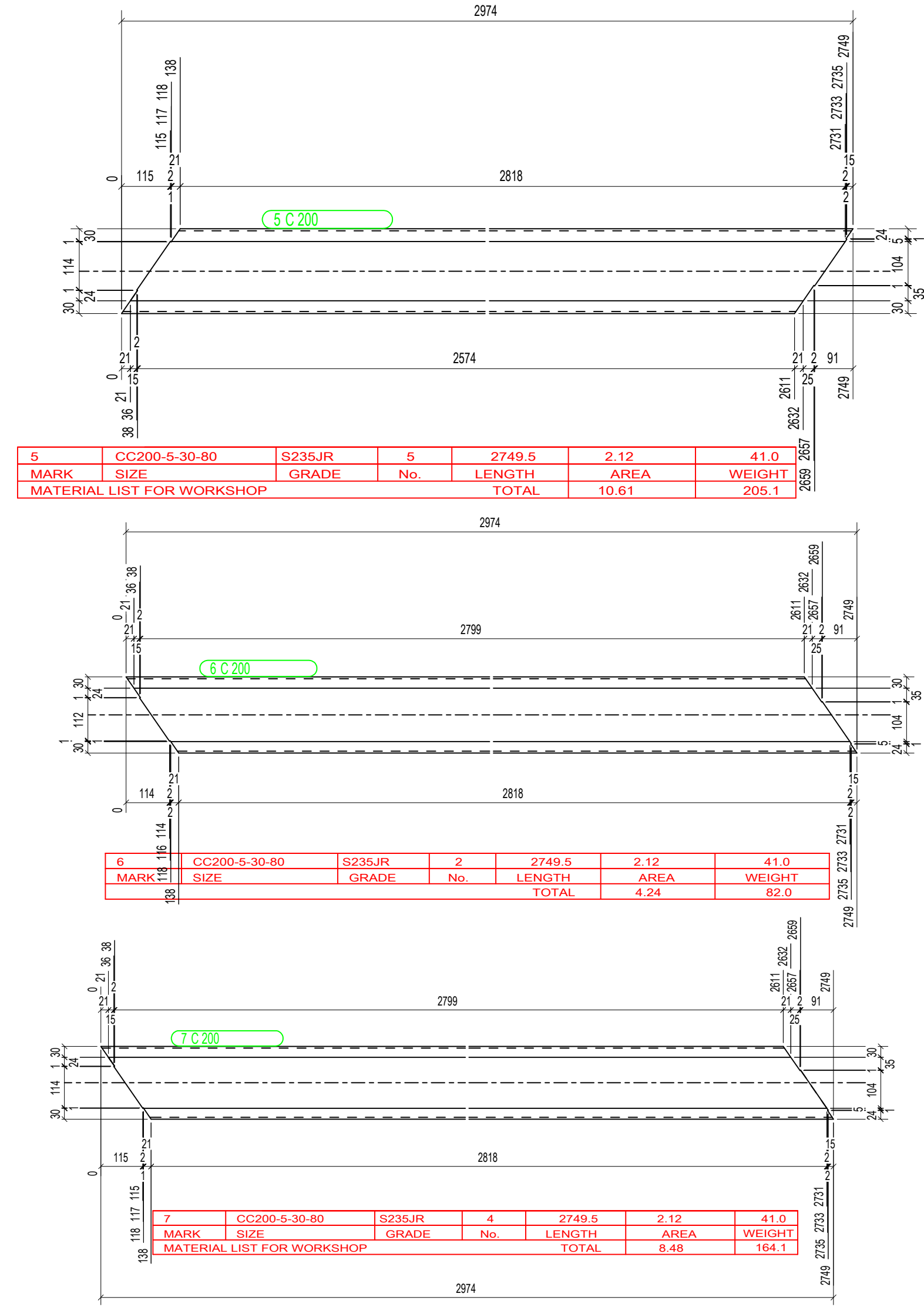
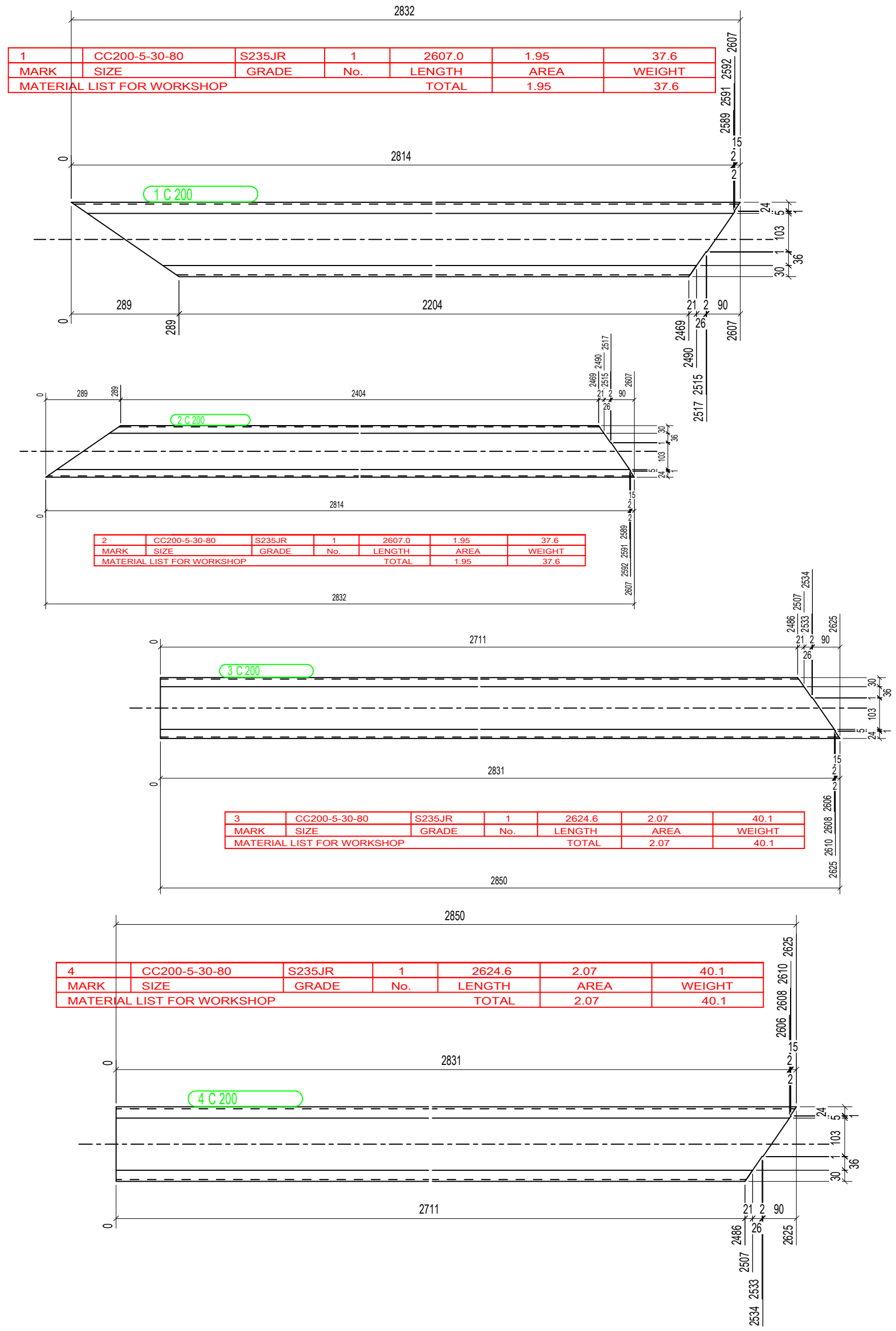
1 : 50

Tiranë 2022

FLETA

A- 4 - 02

Format A2





LEGJENDA	
- Kollona	HEA
- Pllakat fundore	Çelik Fe360
- Bulonat	Bulon klasa 4.6
	Toleranca e brimave 0.1mm
Saldimet	Trashësia minimale 8.5mm

Porositesi: Drejtoria Spitalit Rajonal Diber

OBJEKTI : HARTIM PROJEKTI ME OBJEKT RIKONSTRUKSIONI I SPITALIT RAJONAL DIBER "RRAHIM XHIKA"

Emertimi: **SHKALLA E EMERGJENCES**
 "ARABEL - STUDIO" Sh.p.k "NET Group" sh.p.k

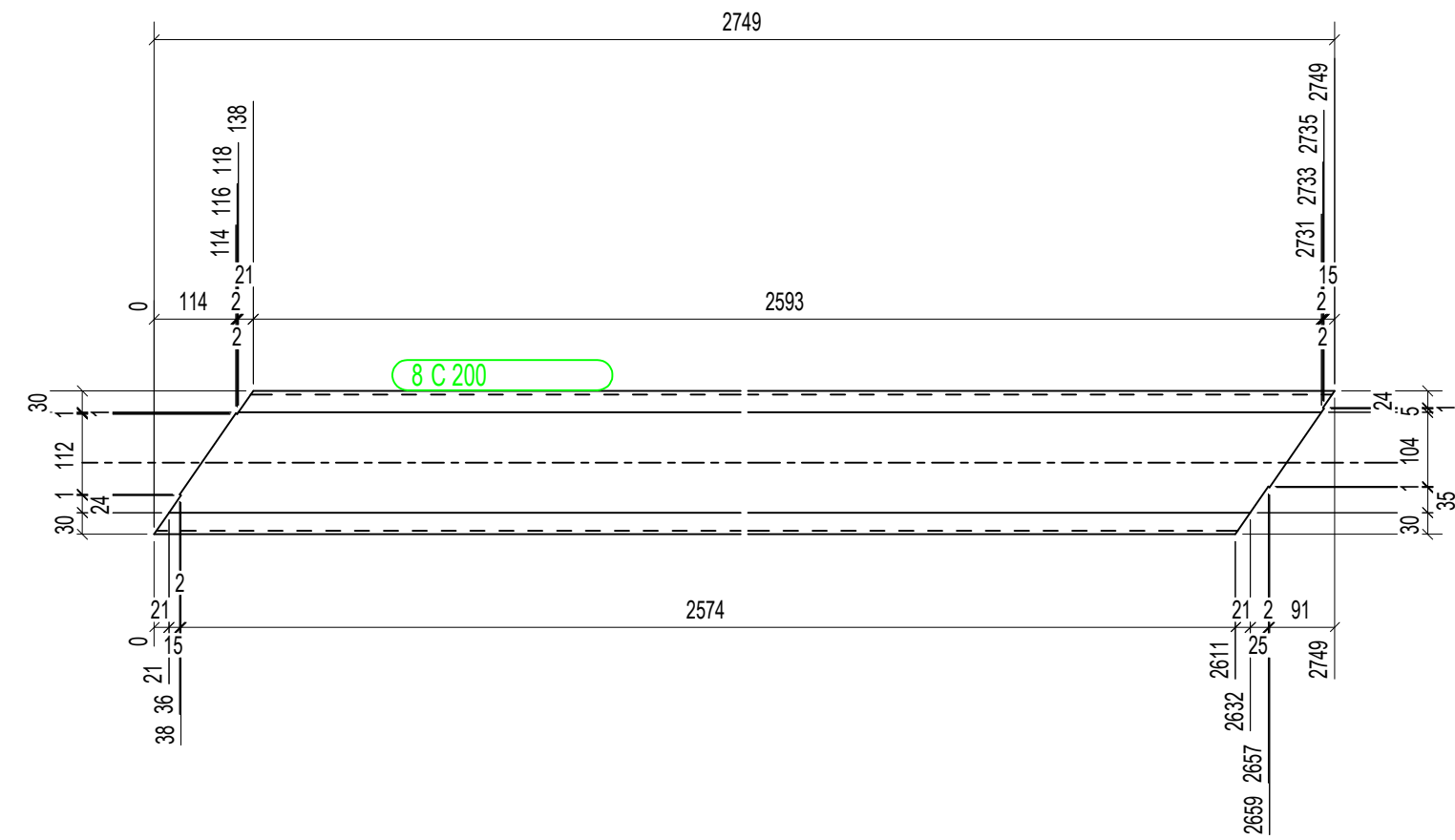
Adresa:
 Diber, Peshkopi,
 Lagjia Gjoke Doçi,
 Bulevardi Elez Isufi,
 Ndertesa Nr.05

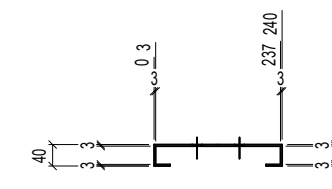
Adresa:
 Tirane Rruga "Demokracia",
 ndertesa nr.1

Drejtesues i projektit		Projektues	
Adm.Ana NISHKU		Inxh.Valter BEGAJ	Elek. Altin ALLKAJ
Inxh.Liliana VLLAMASI		Ark.Rigert HYRA	Mek. Bujar MERAJ
		Hid.Luljeta KUCI	Top. Iv BEQARI

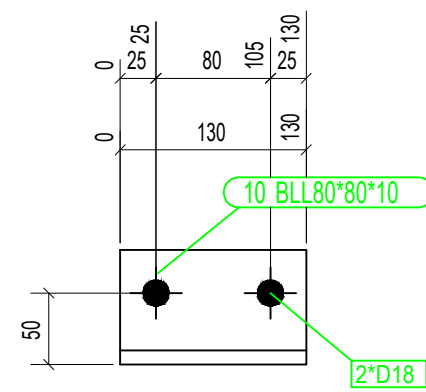
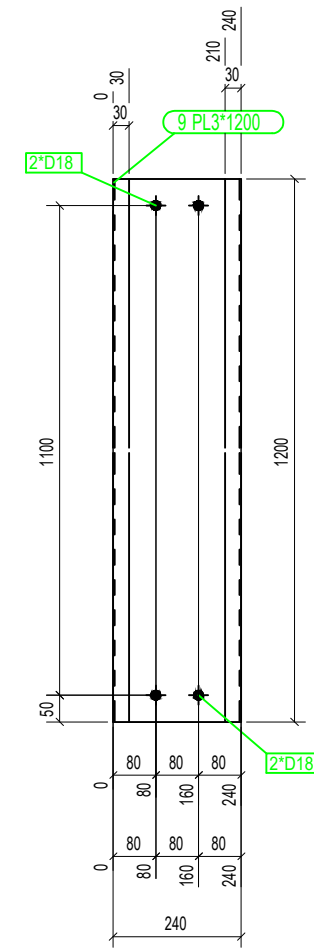
SHKALLA	FLETA
1 : 25	A- 4 - 03
Tiranë 2022	Format A2



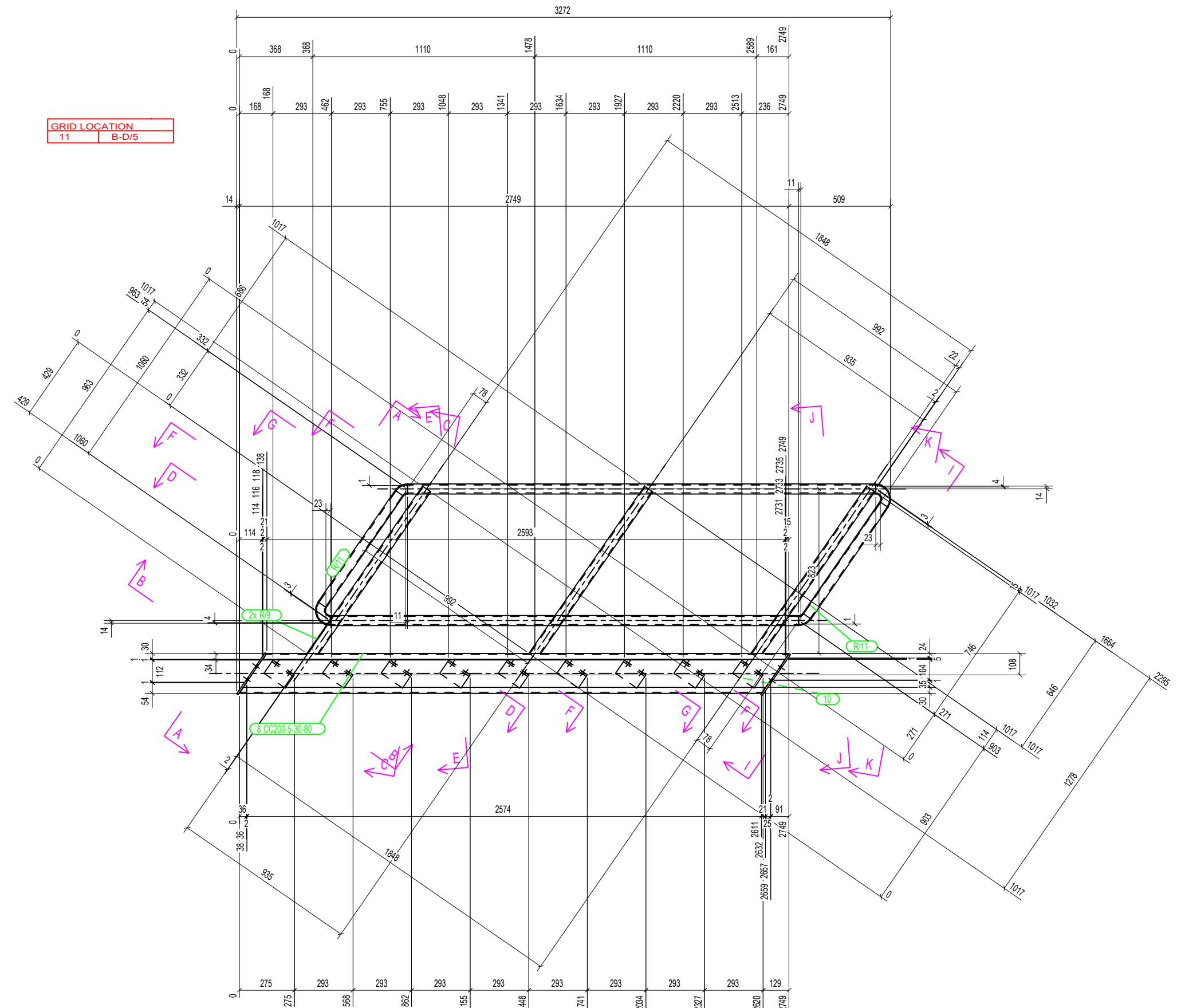
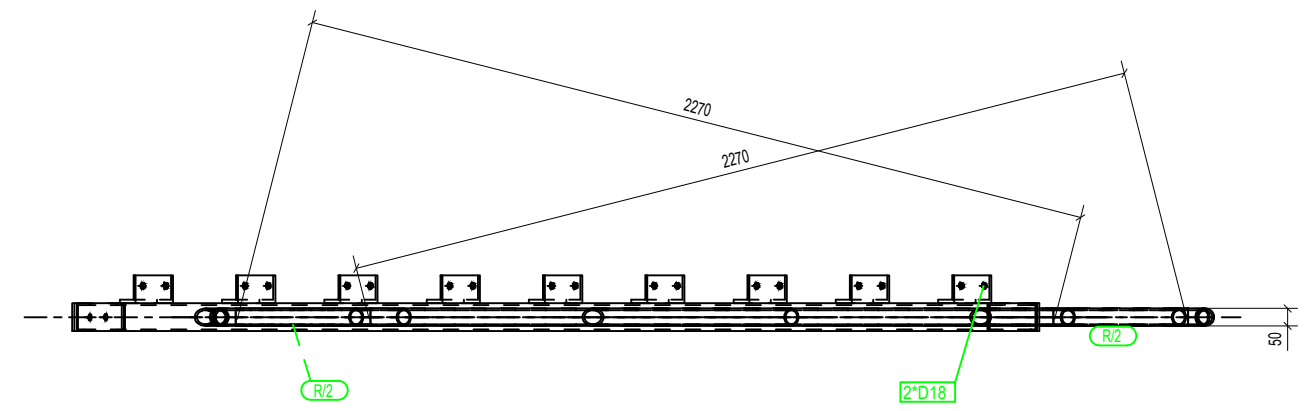
MARK	SIZE	GRADE	No.	LENGTH	AREA	WEIGHT
8	CC200-5-30-80	S235JR	1	2749.5	2.12	41.0
MATERIAL LIST FOR WORKSHOP				TOTAL	2.12	41.0



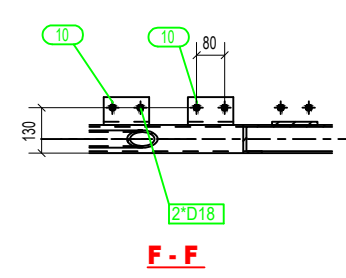
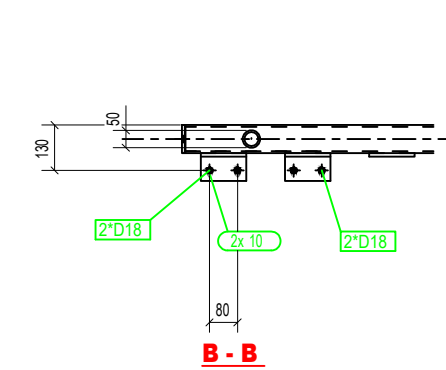
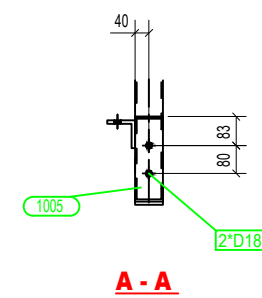
MARK	SIZE	GRADE	No.	LENGTH	AREA	WEIGHT
9	PL3*1200	S235JR	71	368.0	0.89	10.4
MATERIAL LIST FOR WORKSHOP				TOTAL	63.38	738.4



MARK	SIZE	GRADE	No.	LENGTH	AREA	WEIGHT
10	BLL80*80*10	S235JR	142	130.0	0.04	1.5
MATERIAL LIST FOR WORKSHOP				TOTAL	6.33	217.4



GRID LOCATION
11 B-D/5



LEGJENDA	
- Kollona	HEA
- Pllakat fundore	Çelik Fe360
- Bulonat	Bulon klasa 4.6
	Toleranca e brimave 0.1mm
Saldimet	Trashësia minimale 8.5mm

Porositesi: Drejtoria Spitalit Rajonal Diber

OBJEKTI : HARTIM PROJEKTI ME OBJEKT RIKONSTRUKSIONI I SPITALIT RAJONAL DIBER "RRAHIM XHIKA"

Emertimi: SHKALLA E EMERGJENCES
"ARABEL - STUDIO" Sh.p.k



Adresa:
Diber, Peshkopi,
Lagjja Gjoke Doçi,
Bulevardi Elez Isufi,
Ndertesa Nr.05

"NET Group" sh.p.k



Adresa:
Tirane Rruga "Demokracia",
ndertesna nr.1

Drejtesues i projektit

Adm.Ana NISHKU

Inxh.Liliana VLLAMASI

Projektues

Inxh.Valter BEGAJ

Ark.Rigert HYRA

Hid.Luljeta KUCI

Elek. Altin ALLKAJ

Mek. Bujar MERAJ

Top. Iv BEQARI

SHKALLA

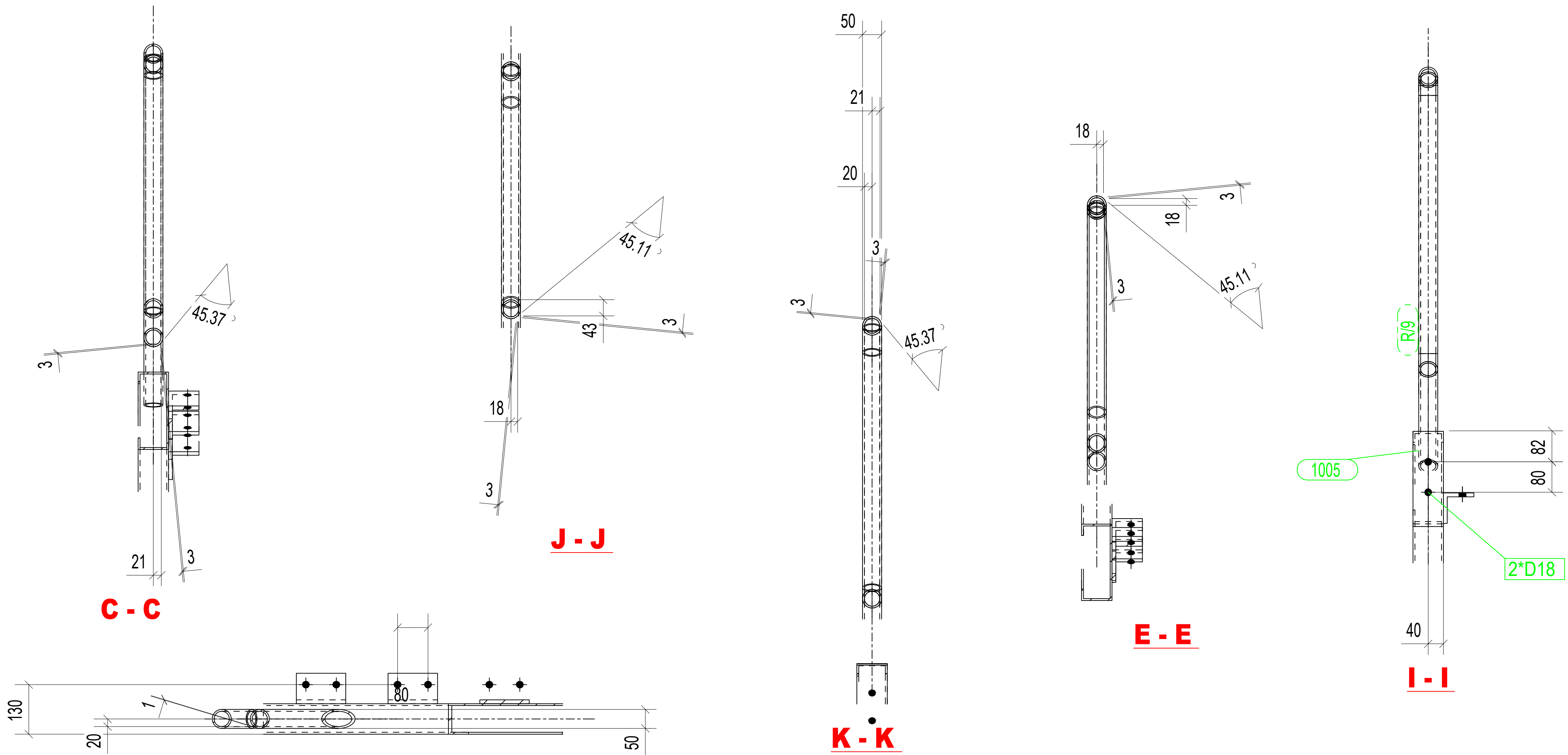
1 : 25

Tiranë 2022

FLETA

A- 4 - 04

Format A2



GENERAL NOTES: ALL HOLES ARE 22.0 mm UNLESS NOTED
ALL WELDS ARE 6.5 mm F.W UNLESS NOTED

MATERIAL LIST FOR ASSEMBLY MK'D			11	1	No. Required	
Mark	Profile	Material	No.	Length	Area	Weight
8	CC200-5-30-80	S235JR	1	2749	2.1	41.0
R/2	PD50*5	S235JR	2	2342	0.3	12.9
R/9	PD50*5	S235JR	3	1017	0.1	5.5
R/11	PD50*5	S235JR	2	815	0.1	4.6
10	BLL80*80*10	S235JR	9	130	0.0	1.5
1005	PL8*80	S235JR	2	250	0.0	1.3
			Total		3.9	108.9

LEGJENDA

- Kollona HEA
- Pllakat fundore Çelik Fe360
- Bulonat Bulon klasa 4.6 Toleranca e brimave 0.1mm Saldimet Trashësia minimale 8.5mm

Porositesi: Drejtoria Spitalit Rajonal Diber

OBJEKTI : HARTIM PROJEKTI ME OBJEKT RIKONSTRUKSIONI I SPITALIT RAJONAL DIBER "RRAHIM XHIKA"

Emertimi: SHKALLA E EMERGJENCES
"ARABEL - STUDIO" Sh.p.k "NET Group" sh.p.k

Adresa: Diber, Peshkopi, Lagjja Gjoko Doçi, Bulevardi Elez Isufi, Ndertesa Nr.05

Adresa: Tirane Rruga "Demokracia", ndertesna nr.1

Drejtesues i projektit

Adm.Ana NISHKU
Inxh.Liliana VLLAMASI

Projektues

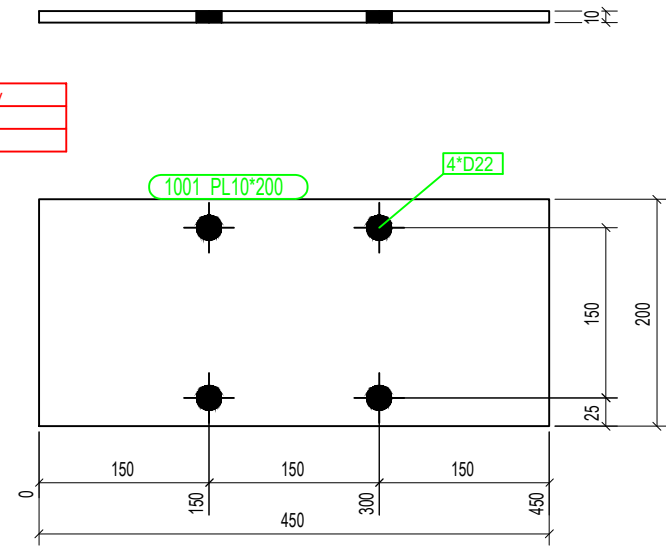
Inxh.Valter BEGAJ
Ark.Rigert HYRA
Hid.Luljeta KUCI

Elek. Altin ALLKAJ
Mek. Bujar MERAJ
Top. Iv BEQARI

SHKALLA 1 : 25
FLETA A- 4 - 05

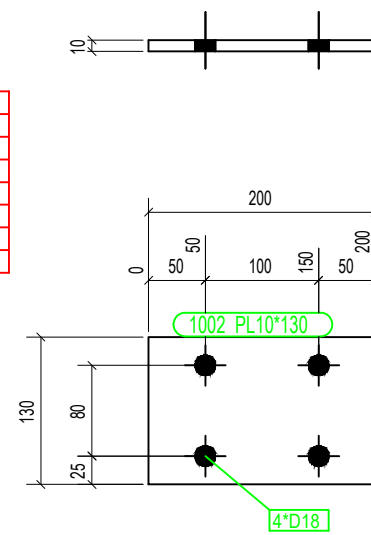
Tiranë 2022
Format A2

No.	In assembly
1	2
1	3



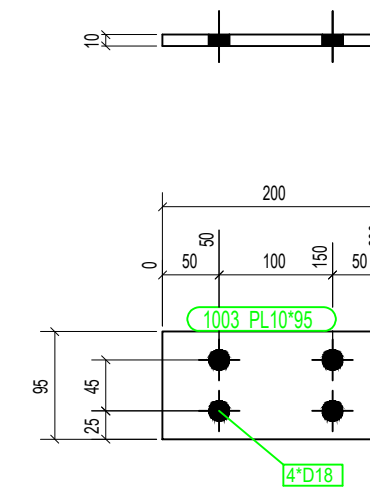
MARK	SIZE	GRADE	No.	LENGTH	AREA	WEIGHT
1001	PL10*200	S235JR	2	450.0	0.19	7.1
MATERIAL LIST FOR WORKSHOP				TOTAL	0.39	14.1

No.	In assembly
4	B/1
2	B/2
1	B/3
3	B/4
4	B/5
1	B/6
1	B/7



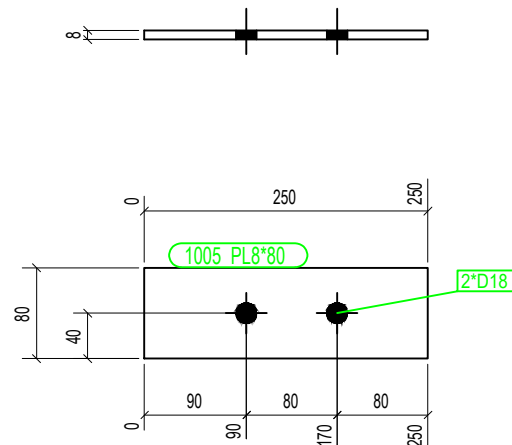
MARK	SIZE	GRADE	No.	LENGTH	AREA	WEIGHT
1002	PL10*130	S235JR	16	200.0	0.06	2.0
MATERIAL LIST FOR WORKSHOP				TOTAL	0.94	32.7

No.	In assembly
10	B/8
6	B/9



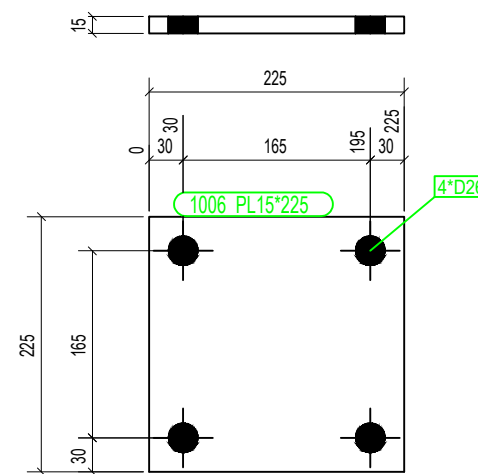
MARK	SIZE	GRADE	No.	LENGTH	AREA	WEIGHT
1003	PL10*95	S235JR	16	200.0	0.04	1.5
MATERIAL LIST FOR WORKSHOP				TOTAL	0.70	23.9

No.	In assembly
1	2
1	3
1	4
1	5
6	6
4	7
4	8
4	9
4	10
2	11



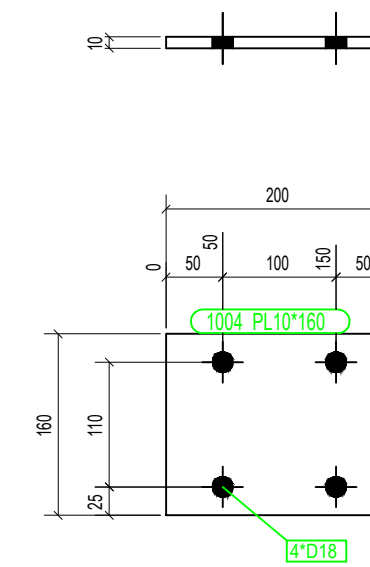
MARK	SIZE	GRADE	No.	LENGTH	AREA	WEIGHT
1005	PL8*80	S235JR	28	250.0	0.05	1.3
MATERIAL LIST FOR WORKSHOP				TOTAL	1.27	35.2

No.	In assembly
2	C/1
2	C/2



MARK	SIZE	GRADE	No.	LENGTH	AREA	WEIGHT
1006	PL15*225	S235JR	4	225.0	0.11	6.0
MATERIAL LIST FOR WORKSHOP				TOTAL	0.46	23.8

No.	In assembly
4	B/1
2	B/2
1	B/3
3	B/4
4	B/5
1	B/6
1	B/7

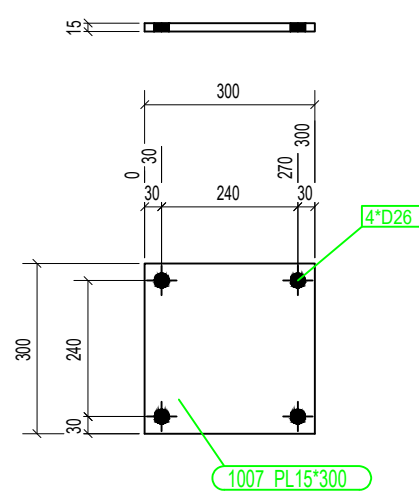


MARK	SIZE	GRADE	No.	LENGTH	AREA	WEIGHT
1004	PL10*160	S235JR	16	200.0	0.07	2.5
MATERIAL LIST FOR WORKSHOP				TOTAL	1.14	40.2

MARK	SIZE	GRADE	No.
1007	PL15*300	S235JR	2
MATERIAL LIST FOR WORKSHOP			

LENGTH	AREA	WEIGHT
300.0	0.20	10.6
TOTAL	0.40	21.2

No.	In assembly
1	C/3
1	C/4



LEGJENDA

- Kollona HEA
- Pllakat fundore
Çelik Fe360
- Bulonat
Bulon klasa 4.6
Toleranca e brimave 0.1mm
- Saldimet
Trashësia minimale 8.5mm

Porositesi: Drejtoria Spitalit Rajonal Diber

OBJEKTI : HARTIM PROJEKTI ME OBJEKT RIKONSTRUKSIONI I SPITALIT RAJONAL DIBER "RRAHIM XHIKA"

Emertimi: SHKALLA E EMERGJENCES

"ARABEL - STUDIO" Sh.p.k



Adresa:
Diber, Peshkopi,
Lagjja Gjoke Doçi,
Bulevardi Elez Isufi,
Ndertesa Nr.05

"NET Group" sh.p.k



Adresa:
Tirane Rruga "Demokracia",
ndertesa nr.1

Drejtesues i projektit

Adm.Ana NISHKU

Inxh.Liliana VLLAMASI

Projektues

Inxh.Valter BEGAJ

Ark.Rigert HYRA

Hid.Luljeta KUCI

Elek. Altin ALLKAJ

Mek. Bujar MERAJ

Top. Iv BEQARI

SHKALLA

1 : 25

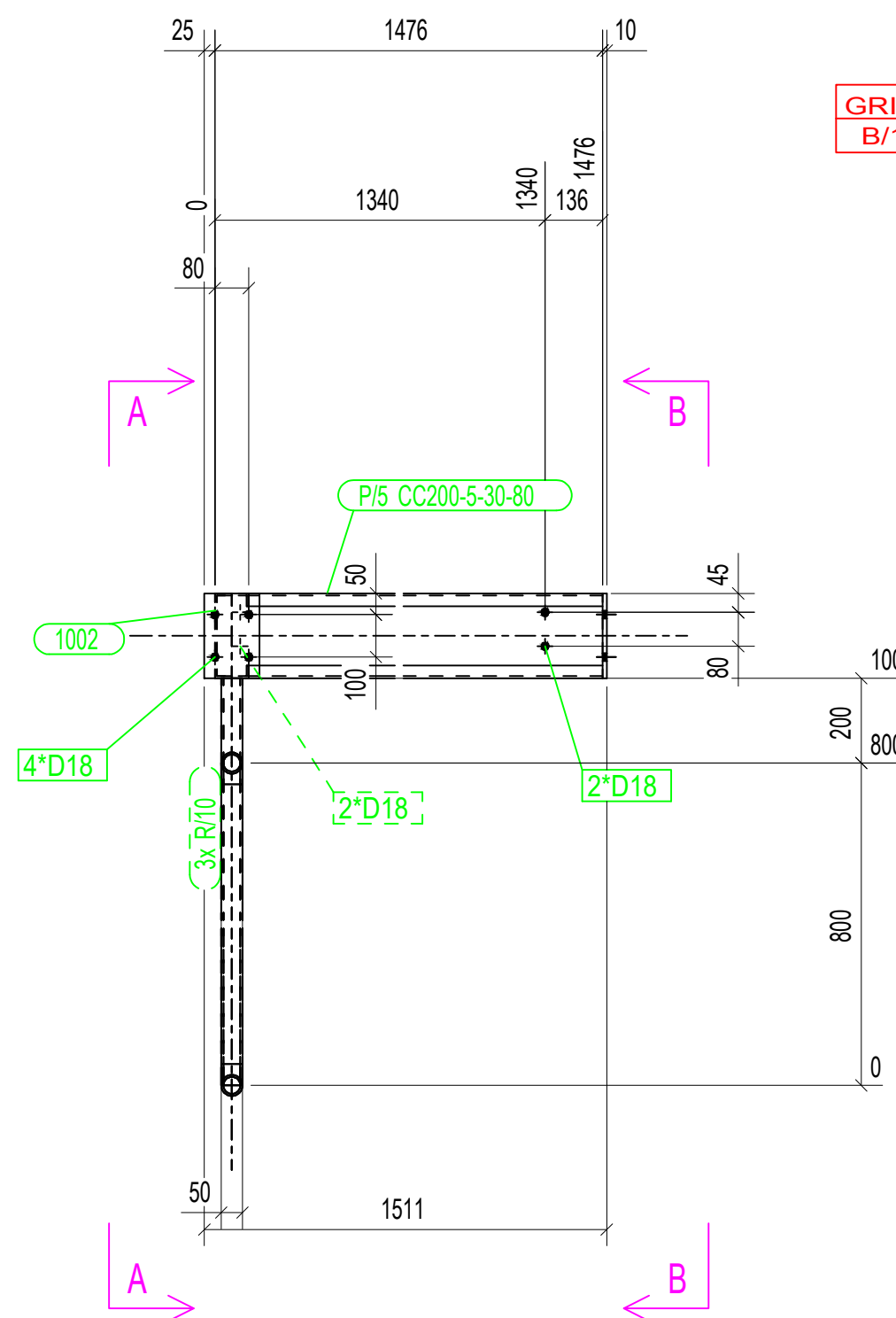
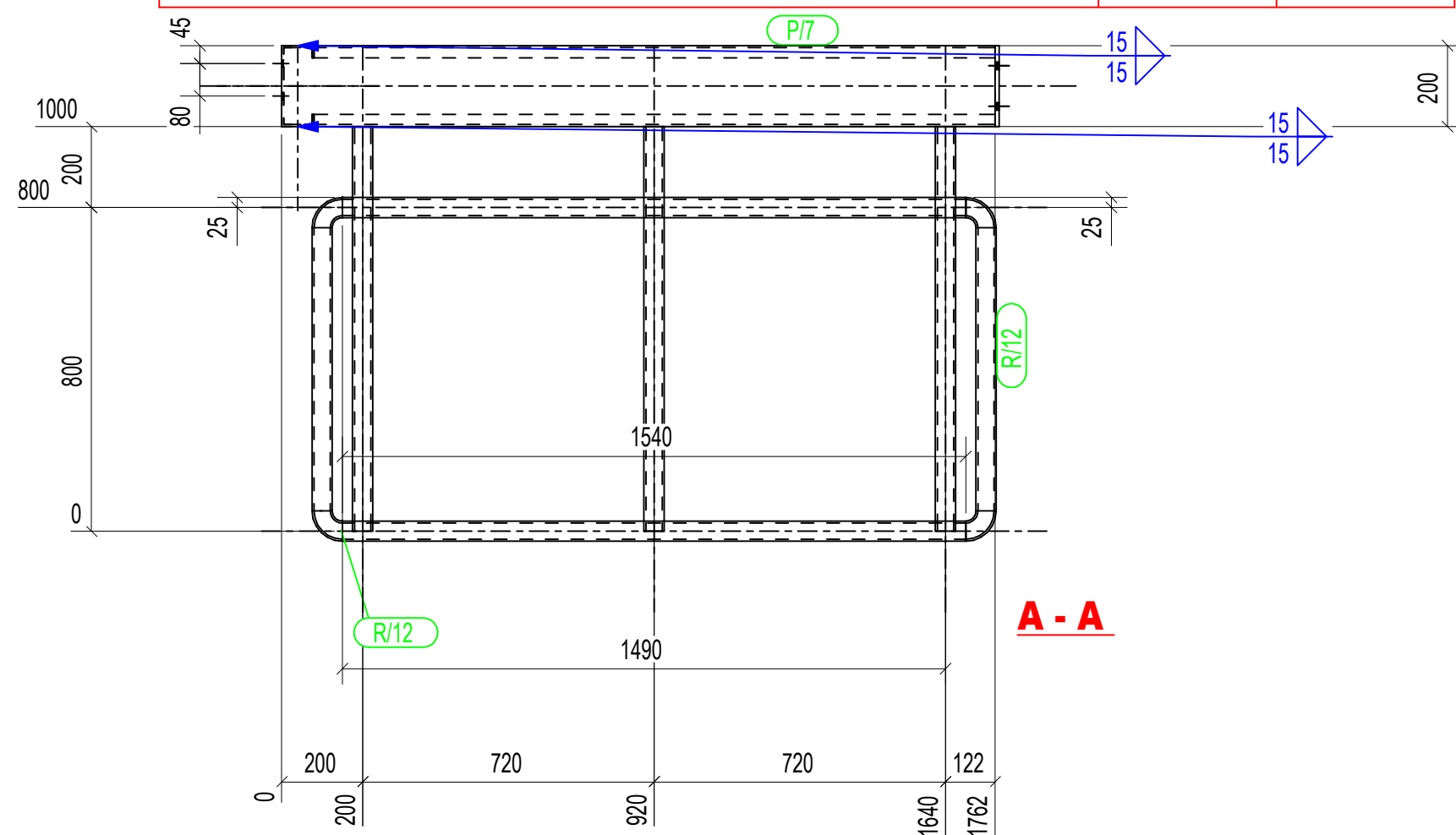
Tiranë 2022

FLETA

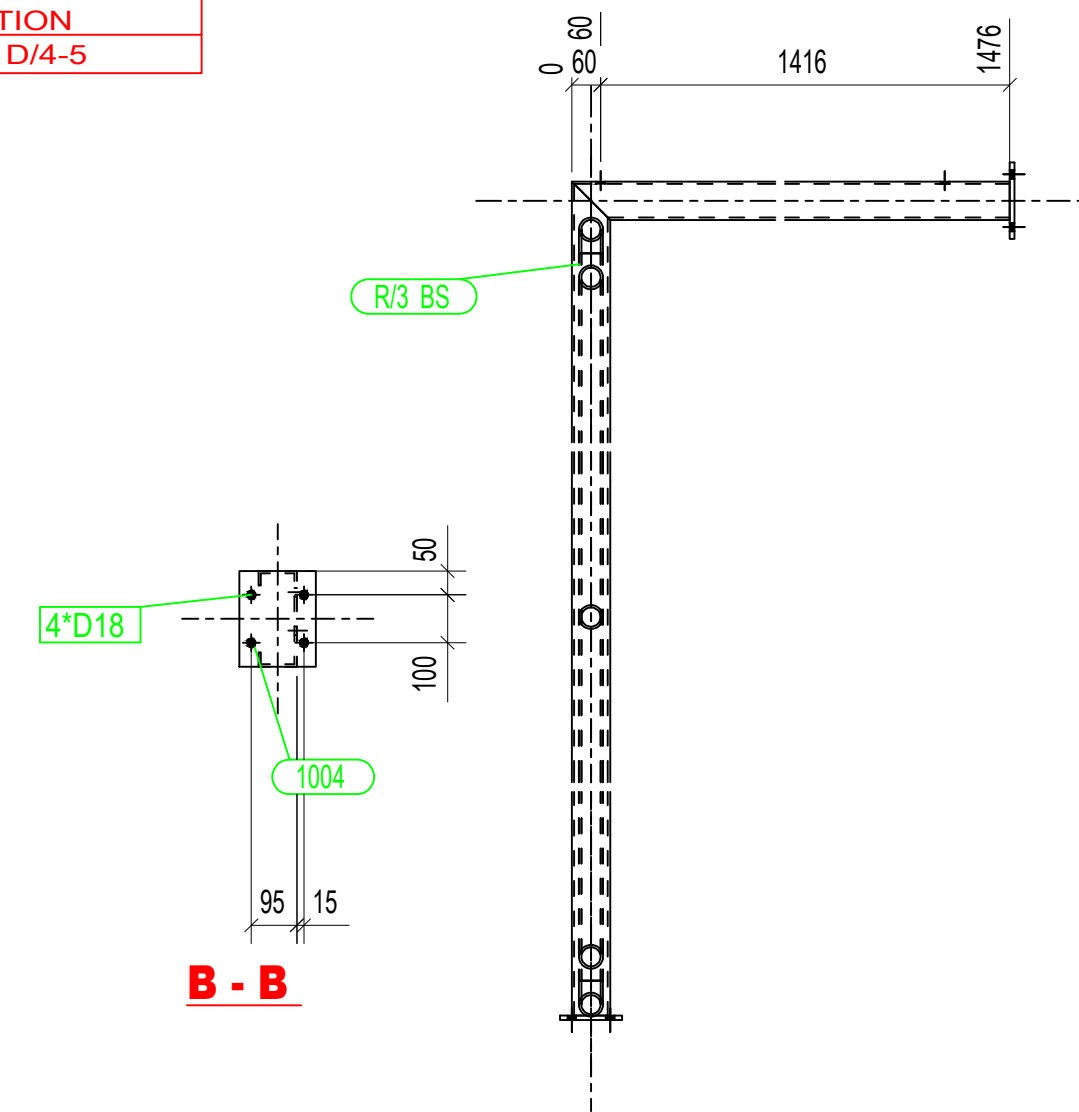
A- 4 - 06

Format A2

GENERAL NOTES:		ALL HOLES ARE	22.0	mm UNLESS NOTED		
		ALL WELDS ARE	6.5	mm F.W UNLESS NOTED		
MATERIAL LIST FOR ASSEMBLY MK'D			B/1	4	No. Required	
Mark	Profile	Material	No.	Length	Area	Weight
P/7	CC200-5-30-80	S235JR	1	1762	1.4	27.2
P/5	CC200-5-30-80	S235JR	1	1476	1.2	22.7
R/3	PD50*5	S235JR	2	1540	0.2	8.5
R/10	PD50*5	S235JR	3	1000	0.1	5.5
R/12	PD50*5	S235JR	2	850	0.1	4.7
1004	PL10*160	S235JR	1	200	0.1	2.5
1002	PL10*130	S235JR	1	200	0.1	2.0
			Total	3.8	97.5	



GRID LOCATION	
B/1	D/4-5



LEGJENDA	
- Kollona	HEA
- Pllakat fundore	Çelik Fe360
- Bulonat	Bulon klasa 4.6
	Toleranca e brimave 0.1mm
Saldimet	Trashësia minimale 8.5mm

Porositesi: Drejtoria Spitalit Rajonal Diber

OBJEKTI : HARTIM PROJEKTI ME OBJEKT RIKONSTRUKSIONI I SPITALIT RAJONAL DIBER "RRAHIM XHIKA"

Emertimi: SHKALLA E EMERGJENCES

"ARABEL - STUDIO" Sh.p.k



Adresa:
Diber, Peshkopi,
Lagjja Gjoke Doçi,
Bulevardi Elez Isufi,
Ndertesa Nr.05

"NET Group" sh.p.k



Adresa:
Tirane Rruga "Demokracia",
ndertesa nr.1

Drejtesues i projektit

Adm.Ana NISHKU

Inxh.Liliana VLLAMASI

Projektues

Inxh.Valter BEGAJ

Ark.Rigert HYRA

Hid.Luljeta KUCI

Elek. Altin ALLKAJ

Mek. Bujar MERAJ

Top. Iv BEQARI

SHKALLA

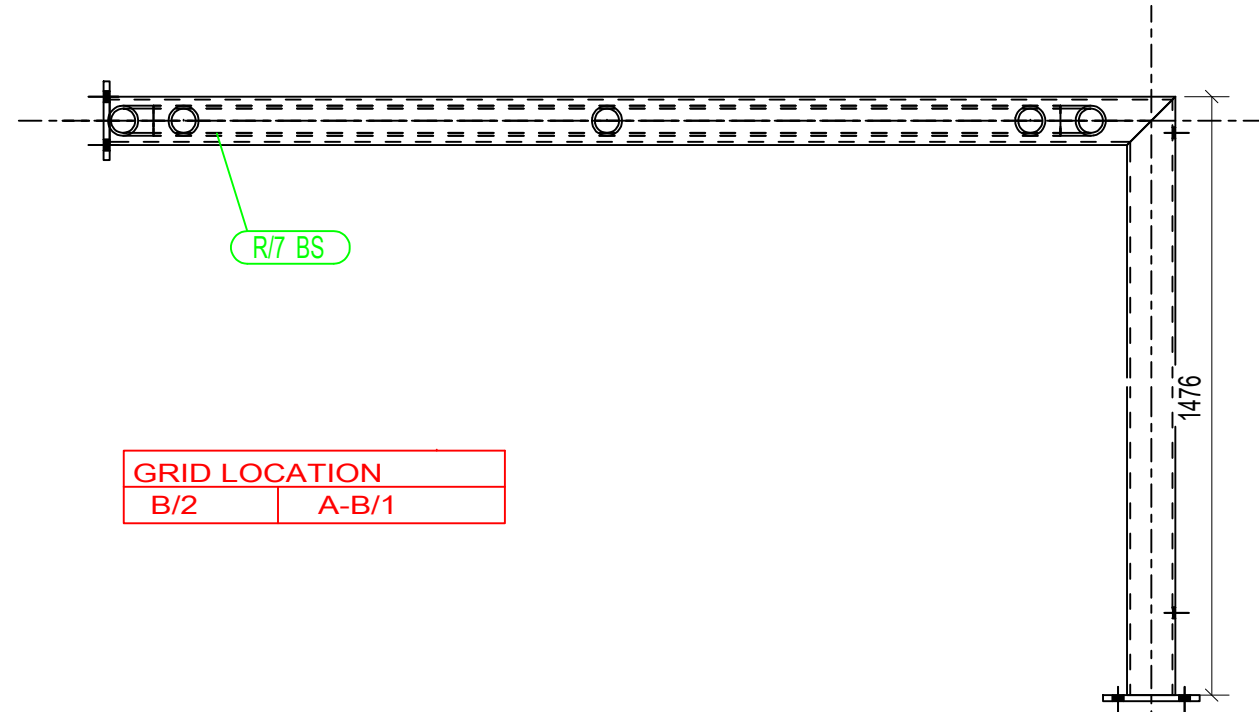
1 : 25

Tiranë 2022

FLETA

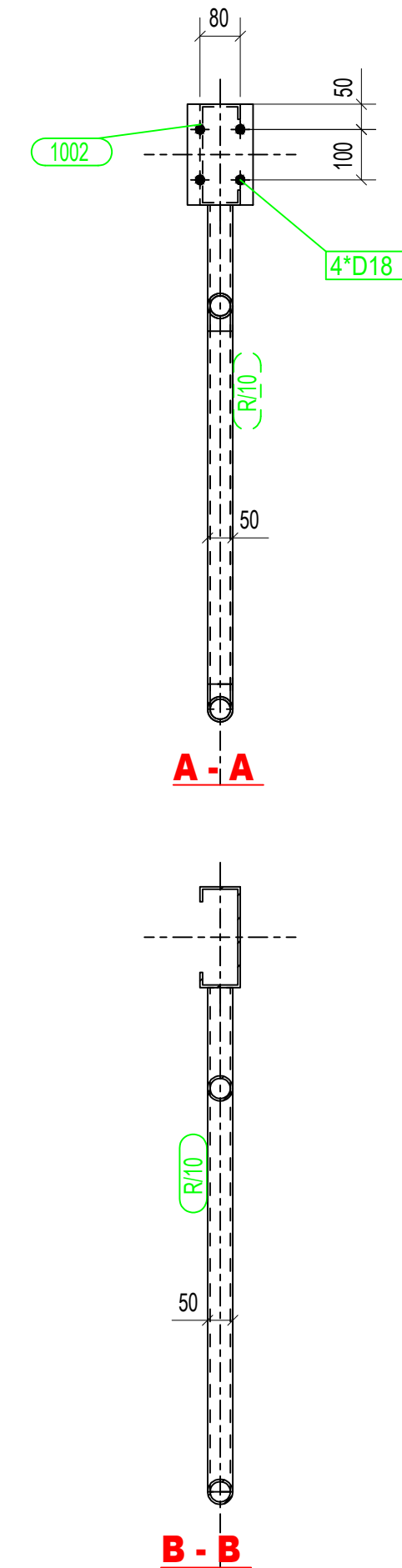
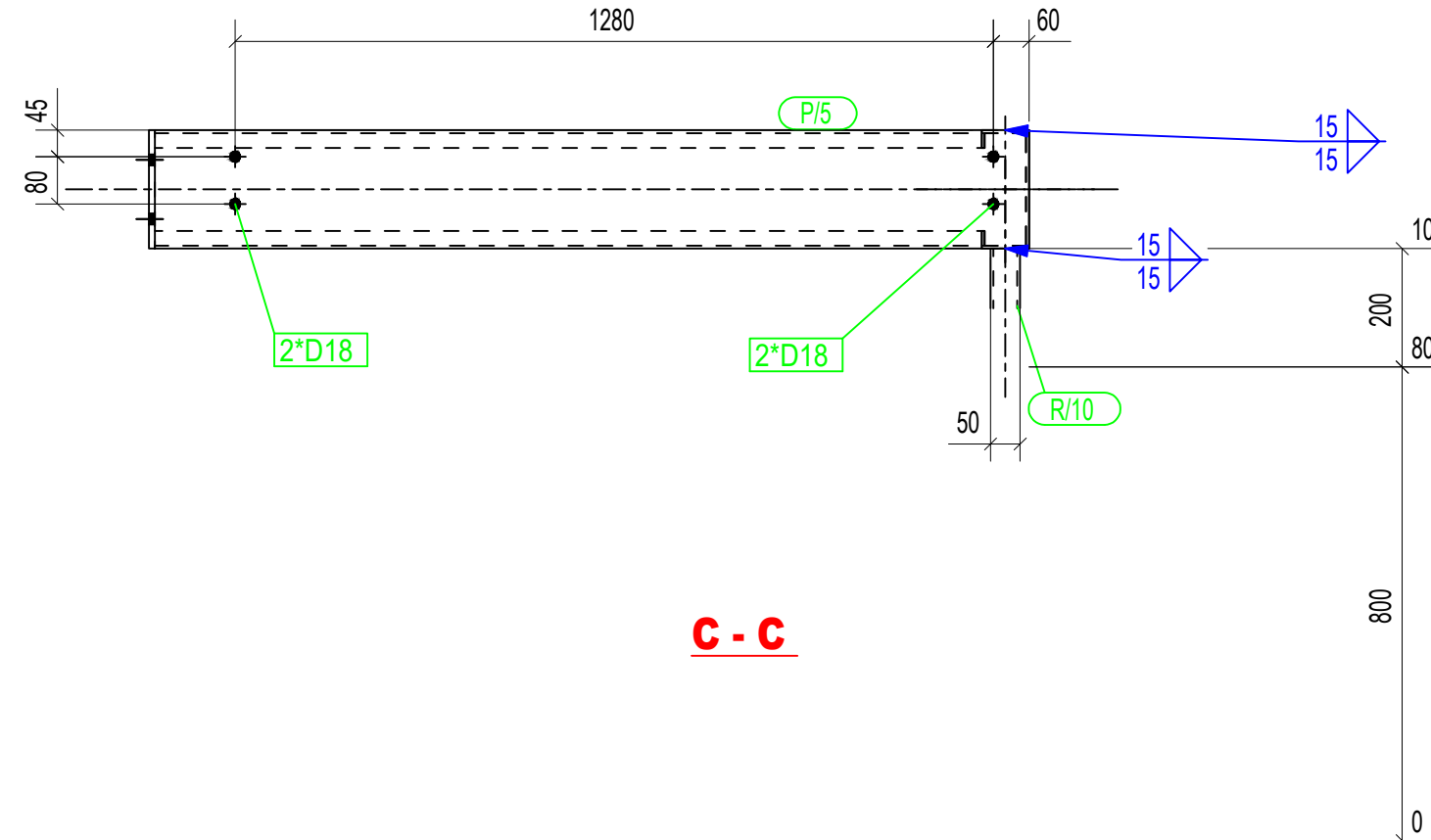
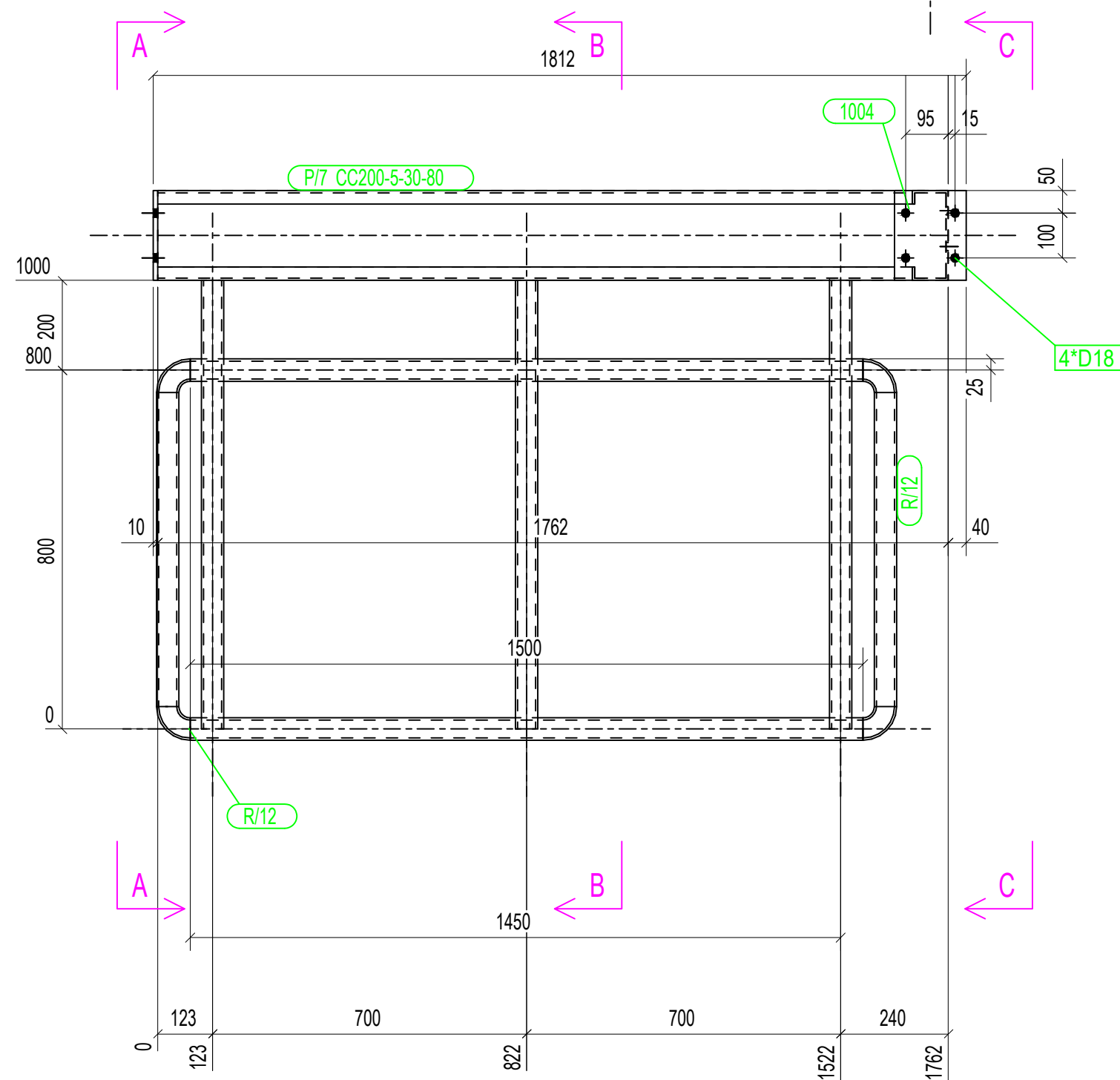
A-4-07

Format A2



GENERAL NOTES: ALL HOLES ARE 22.0 mm UNLESS NOTED
ALL WELDS ARE 6.5 mm F.W UNLESS NOTED

MATERIAL LIST FOR ASSEMBLY MK'D			B/2	2	No. Required	
Mark	Profile	Material	No.	Length	Area	Weight
P/7	CC200-5-30-80	S235JR	1	1762	1.4	27.2
P/5	CC200-5-30-80	S235JR	1	1476	1.2	22.7
R/7	PD50*5	S235JR	2	1500	0.2	8.3
R/10	PD50*5	S235JR	3	1000	0.1	5.5
R/12	PD50*5	S235JR	2	850	0.1	4.7
1004	PL10*160	S235JR	1	200	0.1	2.5
1002	PL10*130	S235JR	1	200	0.1	2.0
Total					3.8	97.1



LEGJENDA	
- Kollona HEA	
- Pllakat fundore	
Çelik Fe360	
- Bulonat	
Bulon klasa 4.6	
Toleranca e brimave 0.1mm	
Saldimet	
Trashësia minimale 8.5mm	

Porositesi: Drejtoria Spitalit Rajonal Diber

OBJEKTI : HARTIM PROJEKTI ME OBJEKT RIKONSTRUKSIONI I SPITALIT RAJONAL DIBER "RRAHIM XHIKA"

Emertimi: SHKALLA E EMERGJENCES

"ARABEL - STUDIO" Sh.p.k "NET Group" sh.p.k

Adresa: Diber, Peshkopi, Lagjja Gjoke Doçi, Bulevardi Elez Isufi, Ndertesa Nr.05

Adresa: Tirane Rruga "Demokracia", ndertesat nr.1

Drejtesues i projektit

Adm.Ana NISHKU

Inxh.Liliana VLLAMASI

Projektues

Inxh.Valter BEGAJ

Ark.Rigert HYRA

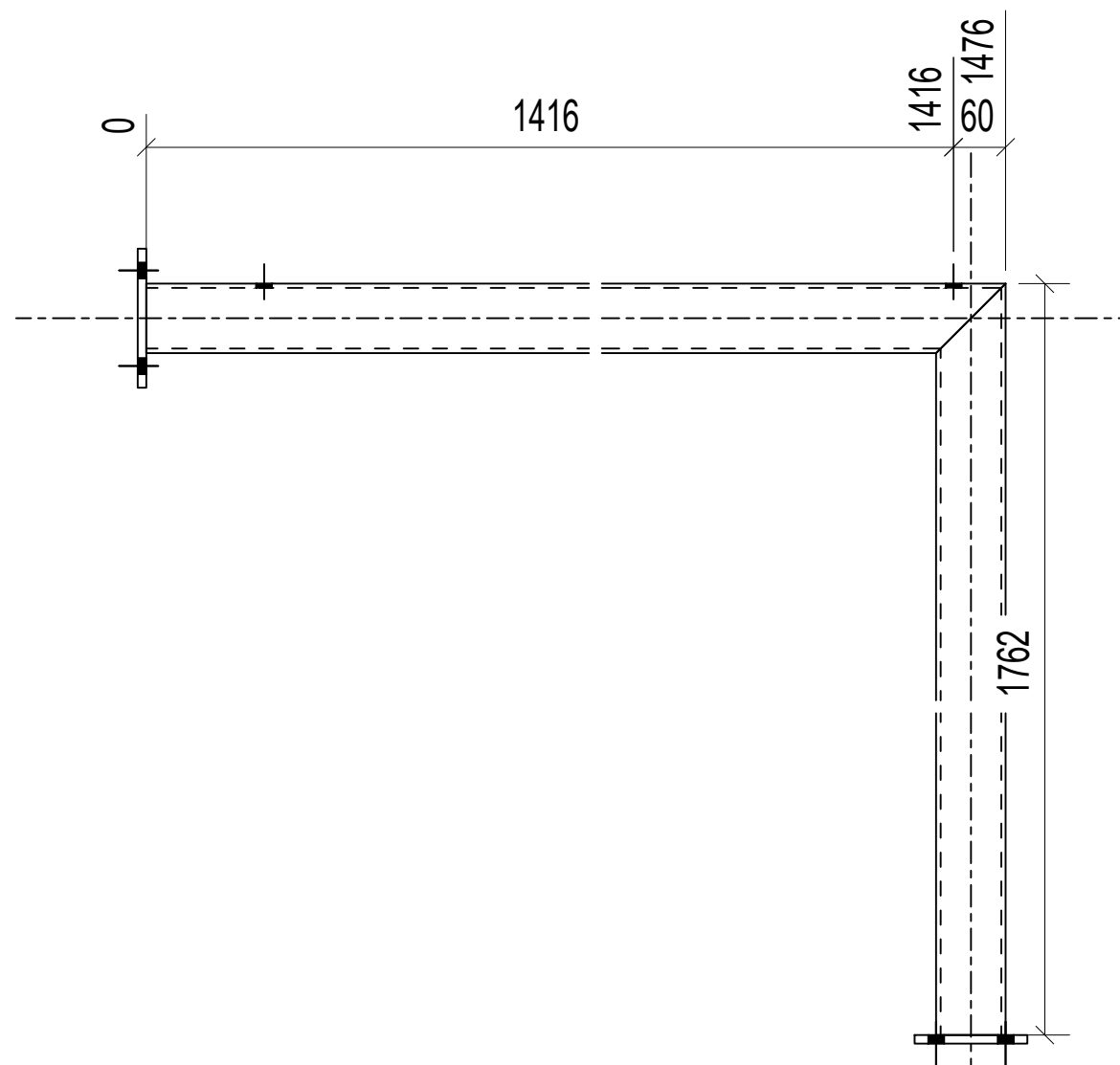
Hid.Luljeta KUCI

Elek. Altin ALLKAJ

Mek. Bujar MERAJ

Top. Iv BEQARI

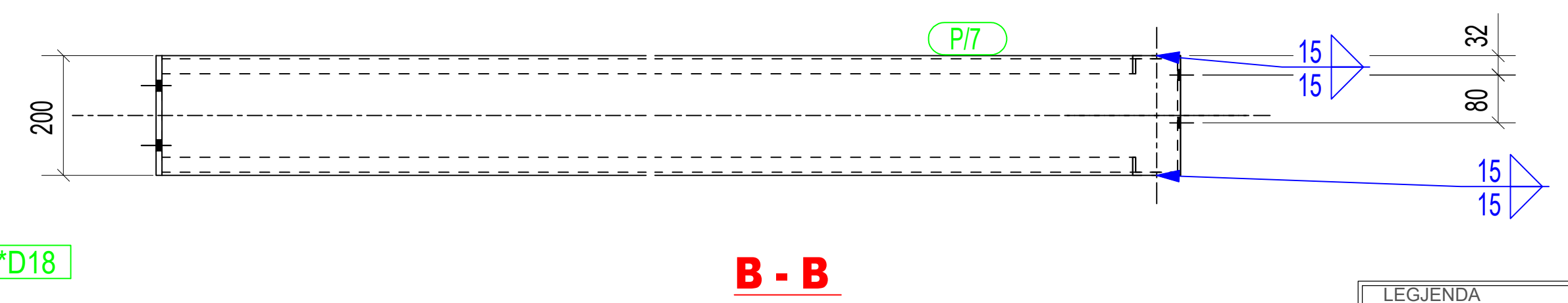
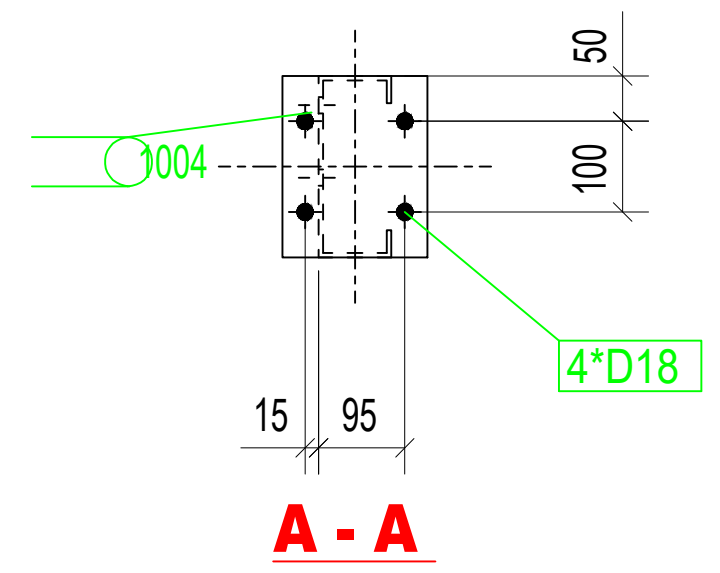
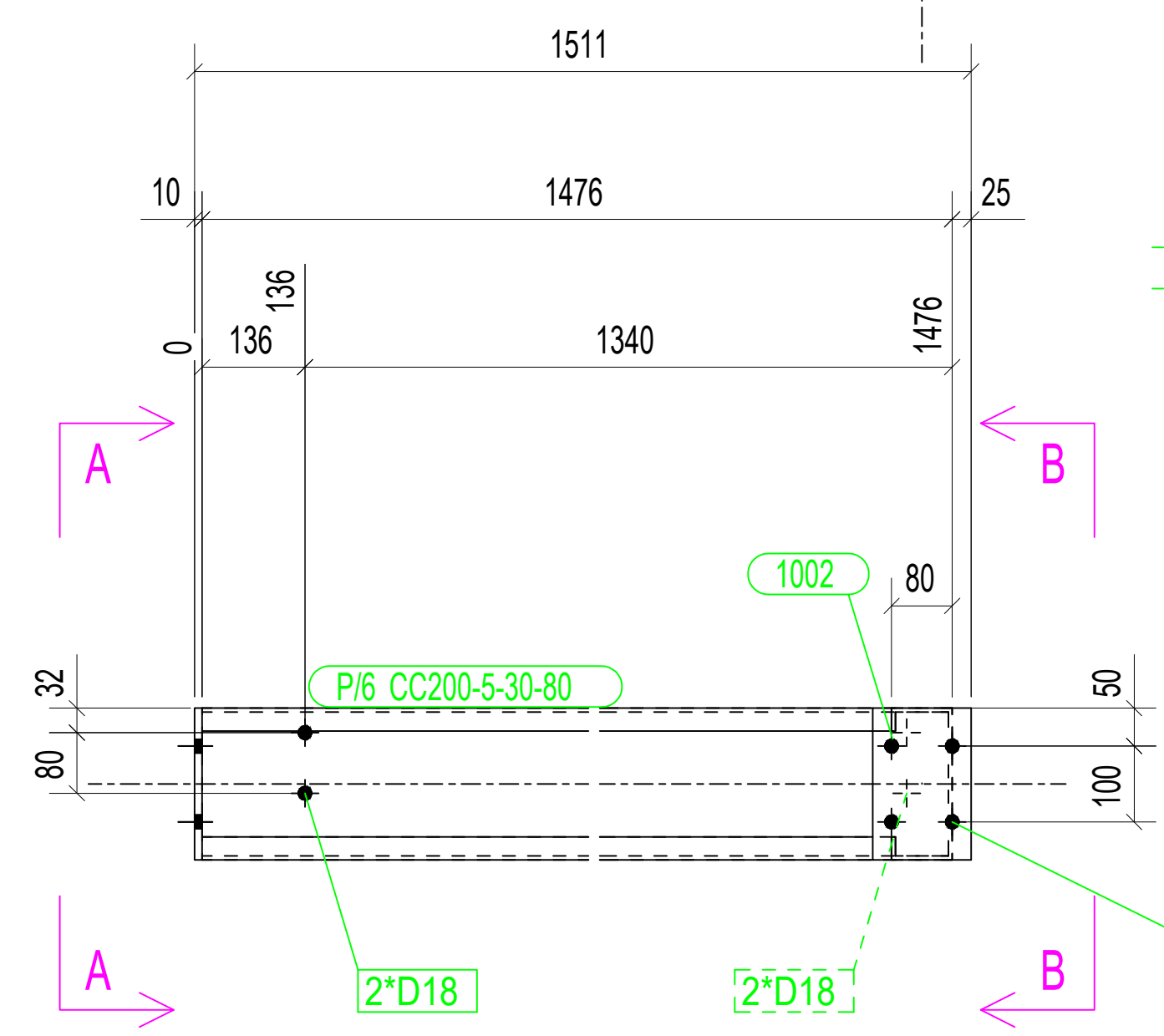
SHKALLA	FLETA
1 : 25	A- 4 - 08
Tiranë 2022	Format A2



GENERAL NOTES: ALL HOLES ARE 22.0 mm UNLESS NOTED
ALL WELDS ARE 6.5 mm F.W UNLESS NOTED

MATERIAL LIST FOR ASSEMBLY MK'D			B/3	1	No. Required	
Mark	Profile	Material	No.	Length	Area	Weight
P/7	CC200-5-30-80	S235JR	1	1762	1.4	27.2
P/6	CC200-5-30-80	S235JR	1	1476	1.2	22.7
1004	PL10*160	S235JR	1	200	0.1	2.5
1002	PL10*130	S235JR	1	200	0.1	2.0
Total					2.7	54.5

GRID LOCATION	
B/3	B/4-5



LEGJENDA	
- Kollona	HEA
- Pllakat fundore	Çelik Fe360
- Bulonat	Bulon klasa 4.6 Toleranca e brimave 0.1mm
Saldimet	Trashësia minimale 8.5mm

Porositesi: Drejtoria Spitalit Rajonal Diber

OBJEKTI : HARTIM PROJEKTI ME OBJEKT RIKONSTRUKSIONI I SPITALIT RAJONAL DIBER "RRAHIM XHIKA"

Emertimi: SHKALLA E EMERGJENCES
"ARABEL - STUDIO" Sh.p.k

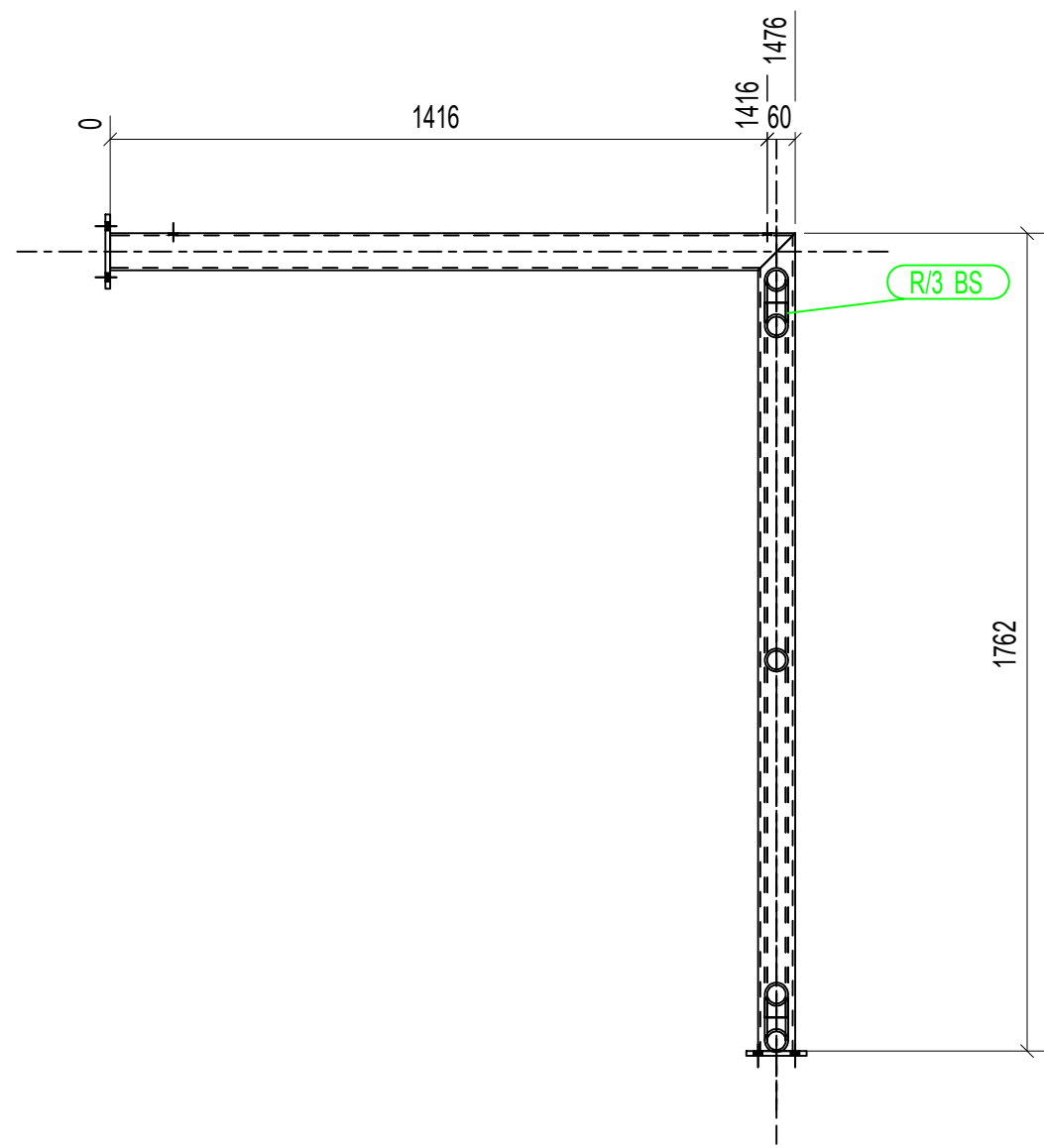
Adresa: Diber, Peshkopi, Lagjja Gjoke Doçi, Bulevardi Elez Isufi, Ndertesa Nr.05

"NET Group" sh.p.k

Adresa: Tirane Rruga "Demokracia", ndertesa nr.1

Drejtues i projektit		Projektues	
Adm.Ana NISHKU	Inxh.Valter BEGAJ	Elek. Altin ALLKAJ	
Inxh.Liliana VLLAMASI	Ark.Rigert HYRA	Mek. Bujar MERAJ	
	Hid.Luljeta KUCI	Top. Iv BEQARI	

SHKALLA	FLETA
1 : 25	A- 4 - 09
Tiranë 2022	Format A2



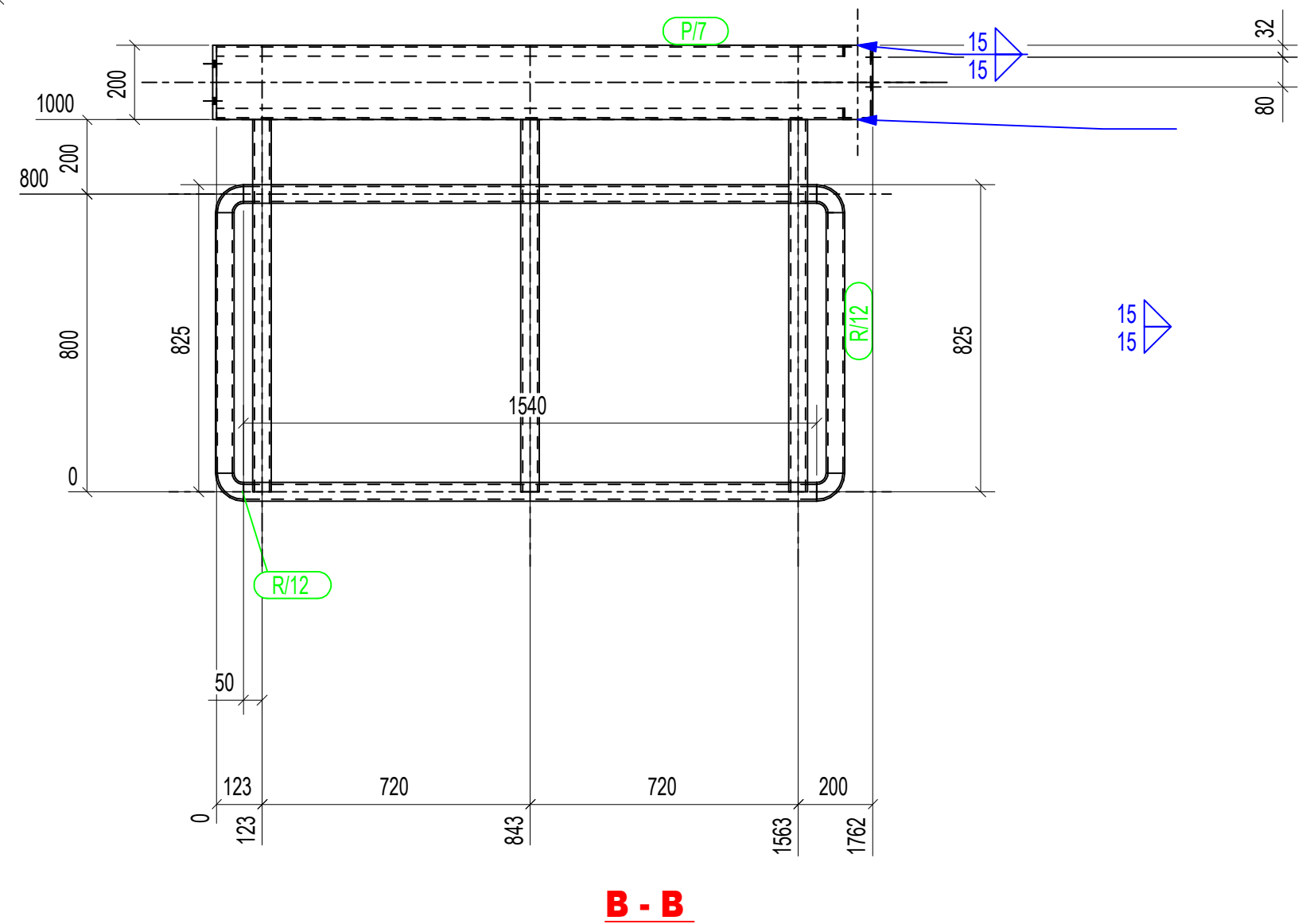
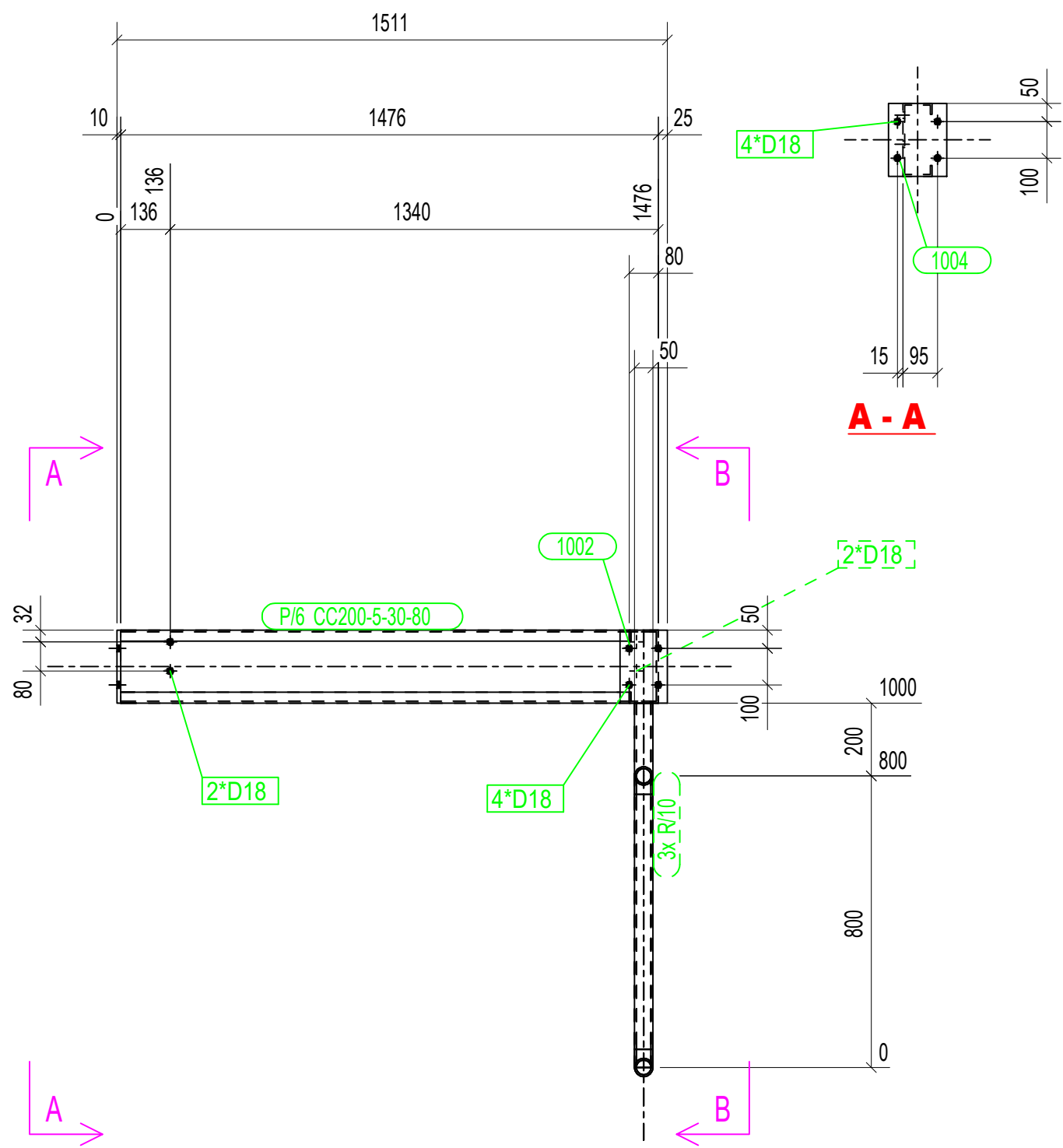
GENERAL NOTES: ALL HOLES ARE 22.0 mm UNLESS NOTED
ALL WELDS ARE 6.5 mm F.W UNLESS NOTED

MATERIAL LIST FOR ASSEMBLY MK'D

Mark	Profile	Material	B/4			No. Required
			No.	Length	Area	
P/7	CC200-5-30-80	S235JR	1	1762	1.4	27.2
P/6	CC200-5-30-80	S235JR	1	1476	1.2	22.7
R/3	PD50*5	S235JR	2	1540	0.2	8.5
R/10	PD50*5	S235JR	3	1000	0.1	5.5
R/12	PD50*5	S235JR	2	850	0.1	4.7
1004	PL10*160	S235JR	1	200	0.1	2.5
1002	PL10*130	S235JR	1	200	0.1	2.0
Total					3.8	97.5

GRID LOCATION

B/4	B/4-5
-----	-------



LEGJENDA

- Kollona HEA
- Pllakat fundore Çelik Fe360
- Bulonat Bulon klasa 4.6 Toleranca e brimave 0.1mm Saldimet Trashësia minimale 8.5mm

Porositesi: Drejtoria Spitalit Rajonal Diber

OBJEKTI : HARTIM PROJEKTI ME OBJEKT RIKONSTRUKSIONI I SPITALIT RAJONAL DIBER "RRAHIM XHIKA"

Emertimi: SHKALLA E EMERGJENCES

"ARABEL - STUDIO" Sh.p.k "NET Group" sh.p.k

Adresa: Diber, Peshkopi, Lagjja Gjoke Doçi, Bulevardi Elez Isufi, Ndertesa Nr.05

Adresa: Tirane Rruga "Demokracia", ndertesa nr.1

Drejtesues i projektit

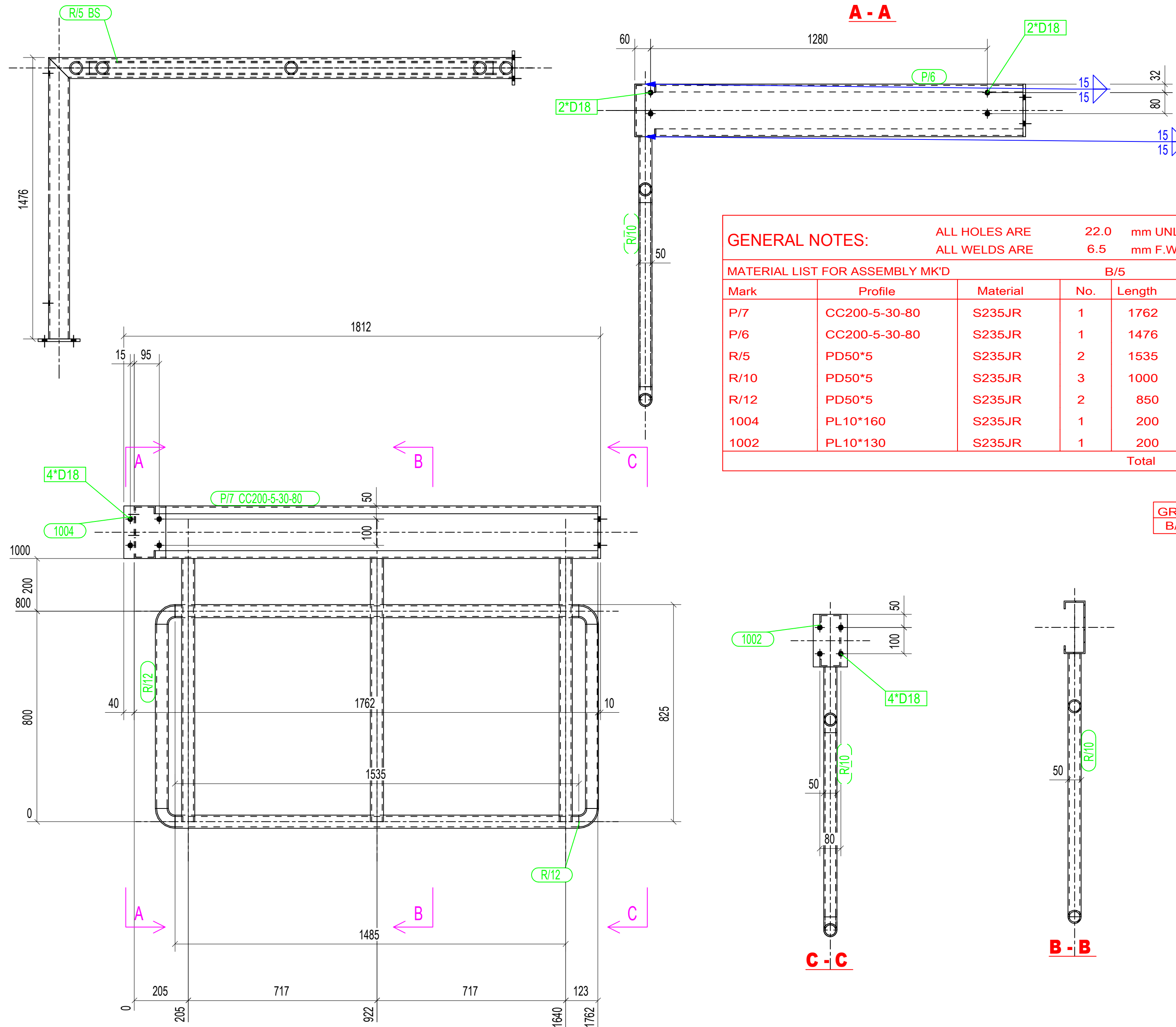
Adm. Ana NISHKU

Inxh. Liliana VLLAMASI

Projektues

Inxh. Valter BEGAJ	Elek. Altin ALLKAJ
Ark. Rigert HYRA	Mek. Bujar MERAJ
Hid. Luljeta KUCI	Top. Iv BEQARI

SHKALLA	FLETA
1 : 25	A- 4 - 10
Tiranë 2022	Format A2



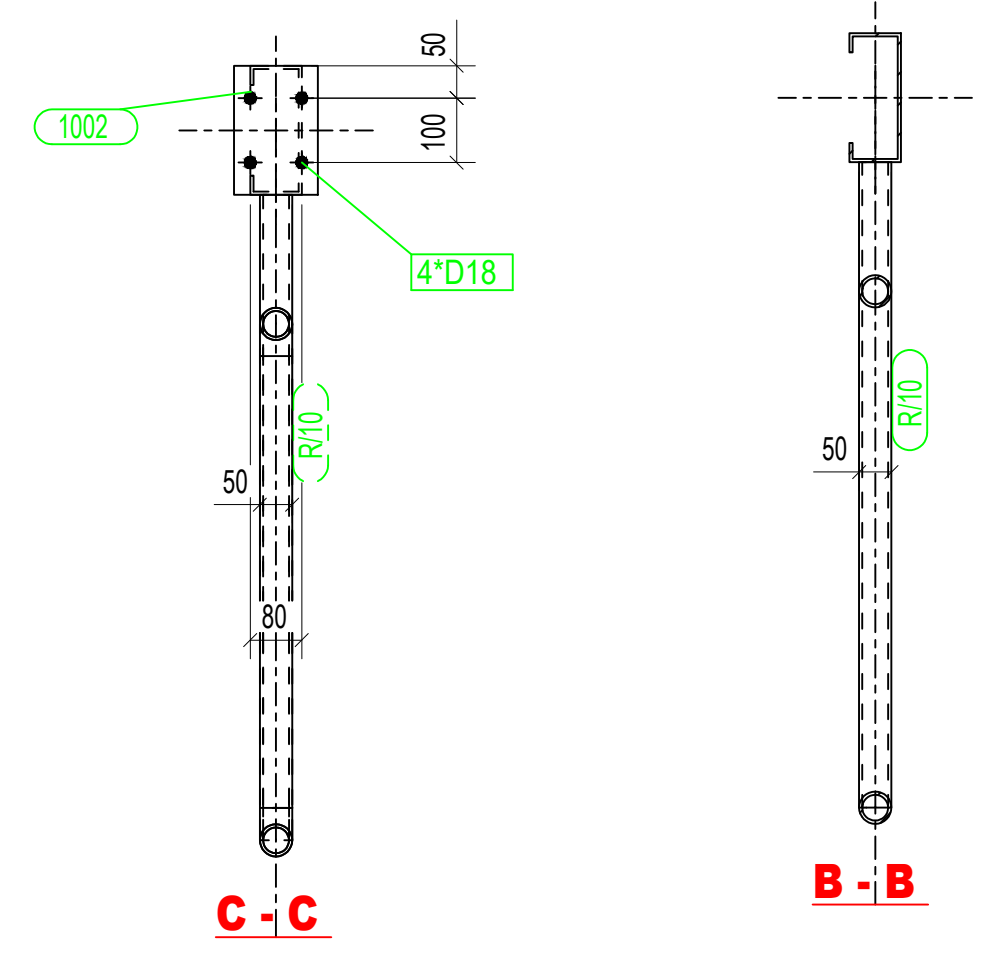
GENERAL NOTES: ALL HOLES ARE 22.0 mm UNLESS NOTED
ALL WELDS ARE 6.5 mm F.W UNLESS NOTED

MATERIAL LIST FOR ASSEMBLY MK'D

Mark	Profile	Material	No.	Length	Area	Weight
P/7	CC200-5-30-80	S235JR	1	1762	1.4	27.2
P/6	CC200-5-30-80	S235JR	1	1476	1.2	22.7
R/5	PD50*5	S235JR	2	1535	0.2	8.5
R/10	PD50*5	S235JR	3	1000	0.1	5.5
R/12	PD50*5	S235JR	2	850	0.1	4.7
1004	PL10*160	S235JR	1	200	0.1	2.5
1002	PL10*130	S235JR	1	200	0.1	2.0
Total					3.8	97.4

GRID LOCATION

B/5	D-E/1
-----	-------



LEGJENDA

- Kollona HEA
- Pllakat fundore Çelik Fe360
- Bulonat Bulon klasa 4.6 Toleranca e brimave 0.1mm Saldimet Trashësia minimale 8.5mm

Porositesi: Drejtoria Spitalit Rajonal Diber

OBJEKTI : HARTIM PROJEKTI ME OBJEKT RIKONSTRUKSIONI I SPITALIT RAJONAL DIBER "RRAHIM XHIKA"

Emertimi: SHKALLA E EMERGJENCES
"ARABEL - STUDIO" Sh.p.k

Adresa: Diber, Peshkopi, Lagjja Gjoke Doçi, Bulevardi Elez Isufi, Ndertesa Nr.05

"NET Group" sh.p.k

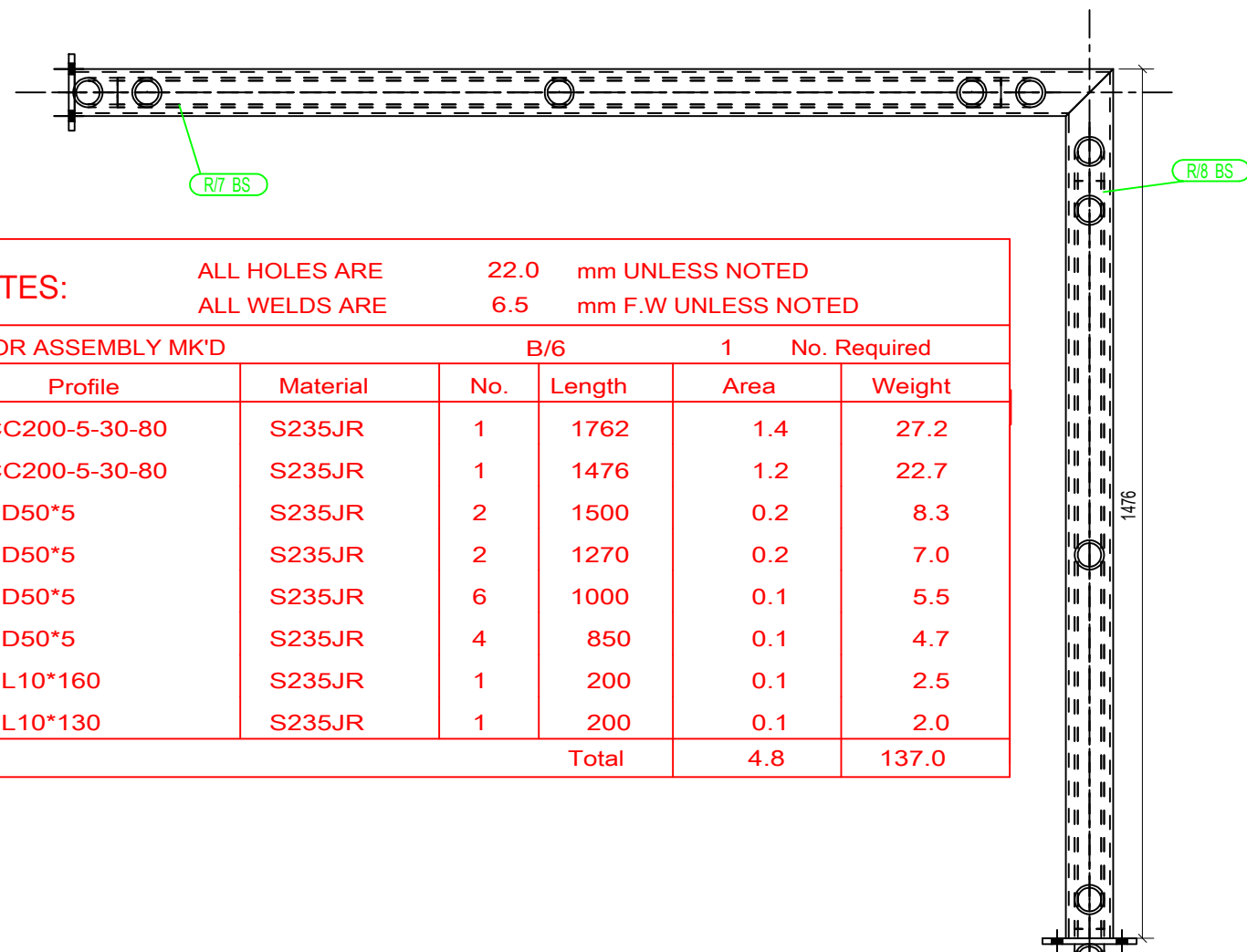
Adresa: Tirane Rruga "Demokracia", ndertesha nr.1

Drejtesues i projektit

Adm.Ana NISHKU	Inxh.Valter BEGAJ	Elek. Altin ALLKAJ
Inxh.Liliana VLLAMASI	Ark.Rigert HYRA	Mek. Bujar MERAJ
	Hid.Luljeta KUCI	Top. Iv BEQARI

Projektues

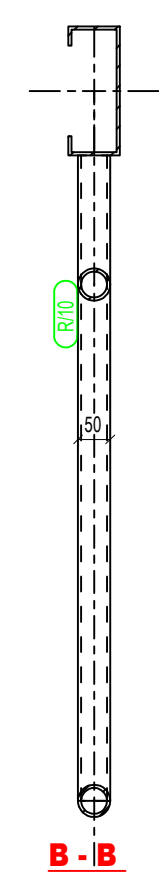
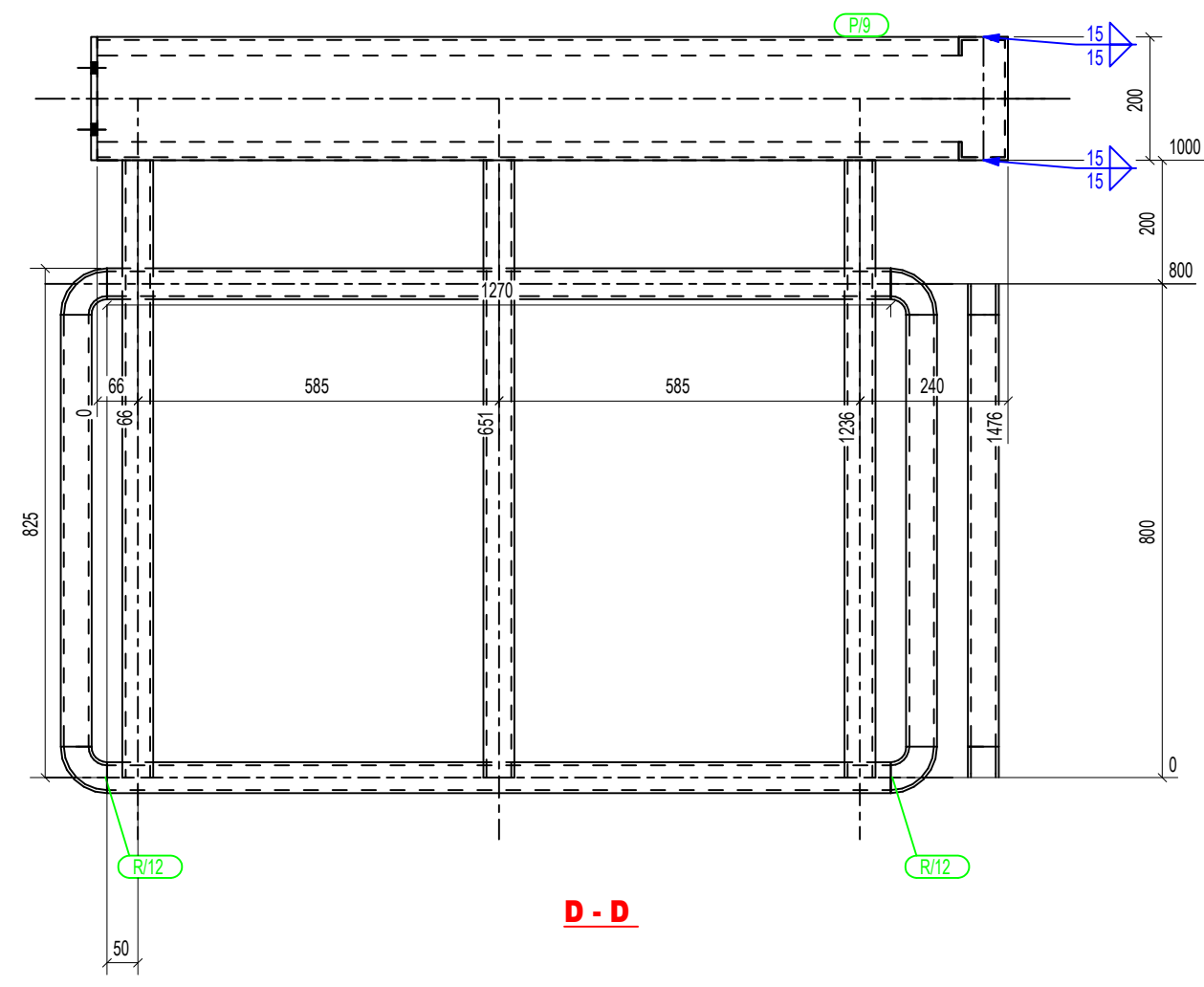
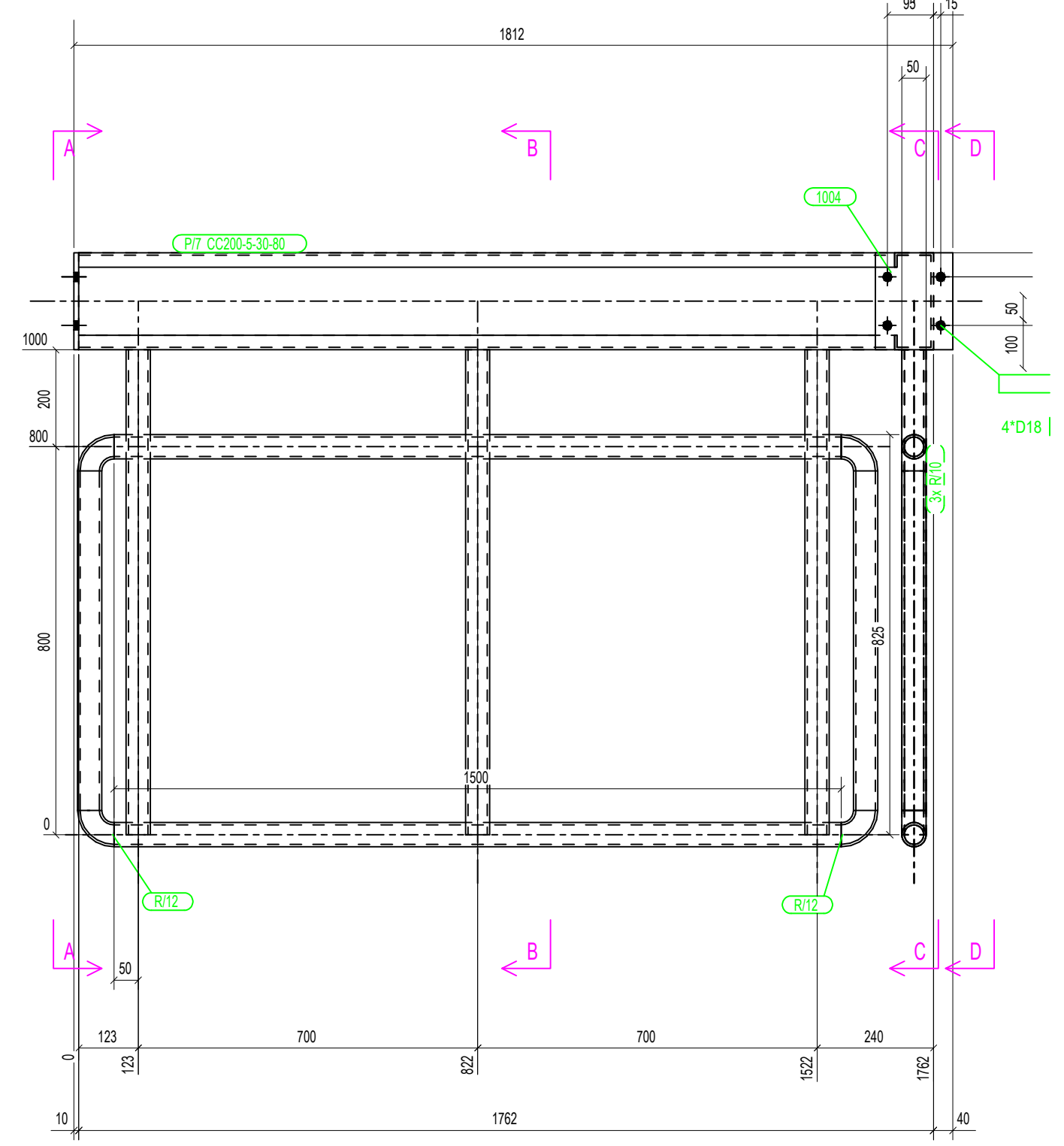
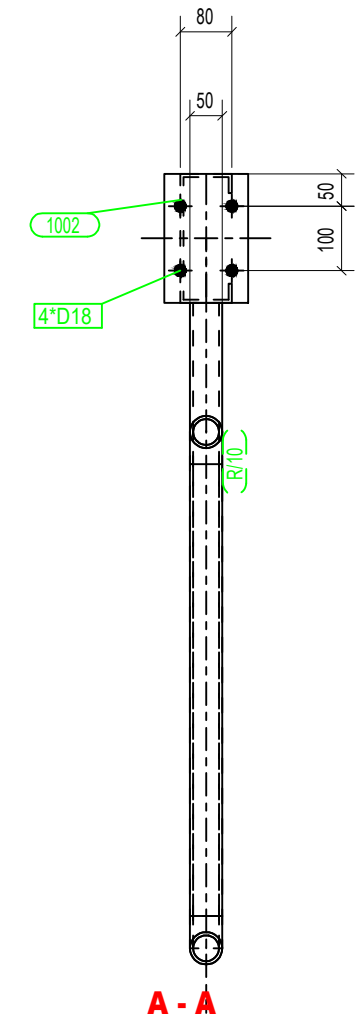
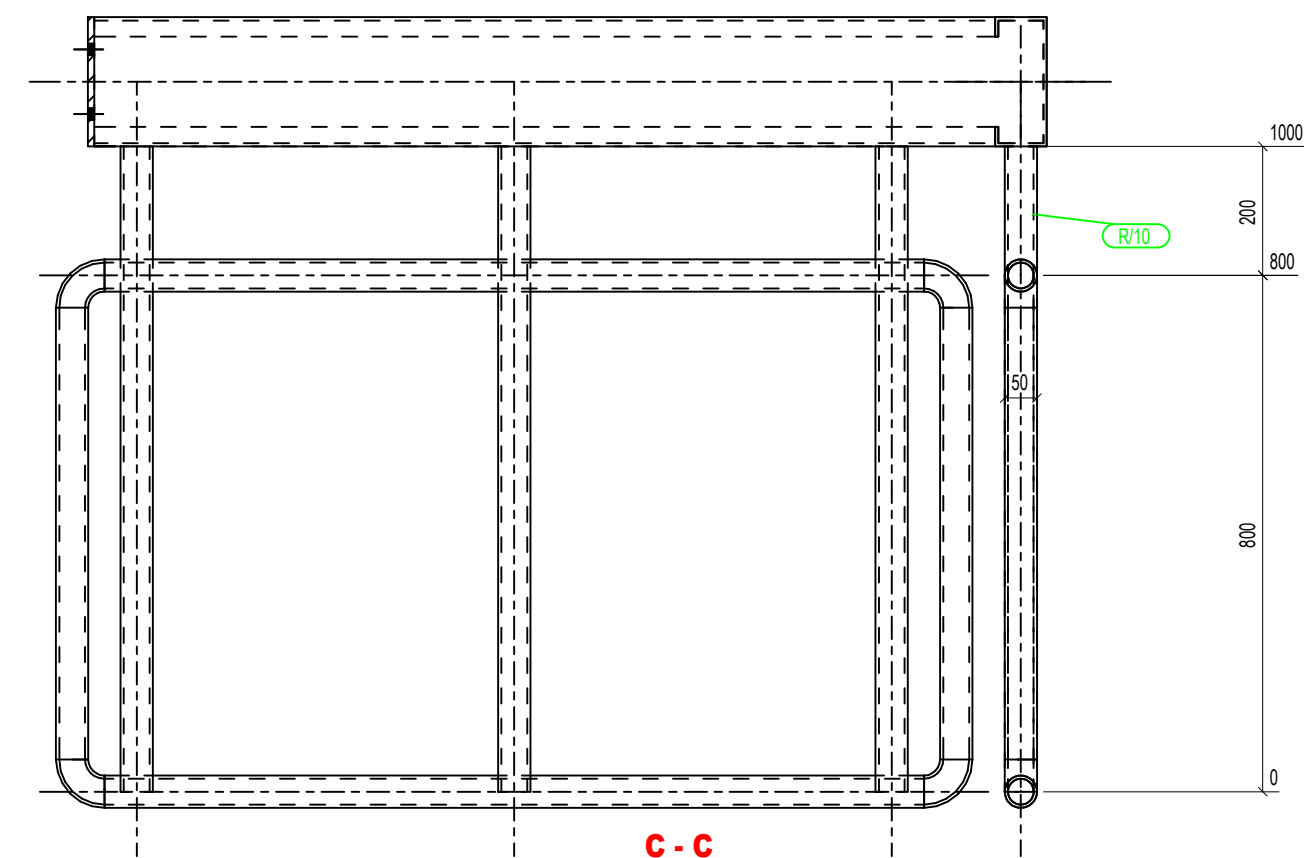
SHKALLA	FLETA
1 : 25	A- 4 - 11
Tiranë 2022	Format A2



GENERAL NOTES: ALL HOLES ARE 22.0 mm UNLESS NOTED
ALL WELDS ARE 6.5 mm F.W UNLESS NOTED

MATERIAL LIST FOR ASSEMBLY MK'D			B/6		1		No. Required	
Mark	Profile	Material	No.	Length	Area	Weight		
P/7	CC200-5-30-80	S235JR	1	1762	1.4	27.2		
P/9	CC200-5-30-80	S235JR	1	1476	1.2	22.7		
R/7	PD50*5	S235JR	2	1500	0.2	8.3		
R/8	PD50*5	S235JR	2	1270	0.2	7.0		
R/10	PD50*5	S235JR	6	1000	0.1	5.5		
R/12	PD50*5	S235JR	4	850	0.1	4.7		
1004	PL10*160	S235JR	1	200	0.1	2.5		
1002	PL10*130	S235JR	1	200	0.1	2.0		
Total					4.8	137.0		

GRID LOCATION	
B/6	A-B/1



LEGJENDA

- Kollona HEA
- Pllakat fundore Çelik Fe360
- Bulonat Bulon klasa 4.6 Toleranca e brimave 0.1mm Saldimet Trashësia minimale 8.5mm

Porositesi: Drejtoria Spitalit Rajonal Diber
OBJEKTI : HARTIM PROJEKTI ME OBJEKT RIKONSTRUKSIONI I SPITALIT RAJONAL DIBER "RRAHIM XHIKA"

Emertimi: SHKALLA E EMERGJENCES
"ARABEL - STUDIO" Sh.p.k
Adresa: Diber, Peshkopi, Lagjja Gjoke Doçi, Bulevardi Elez Isufi, Ndertesa Nr.05

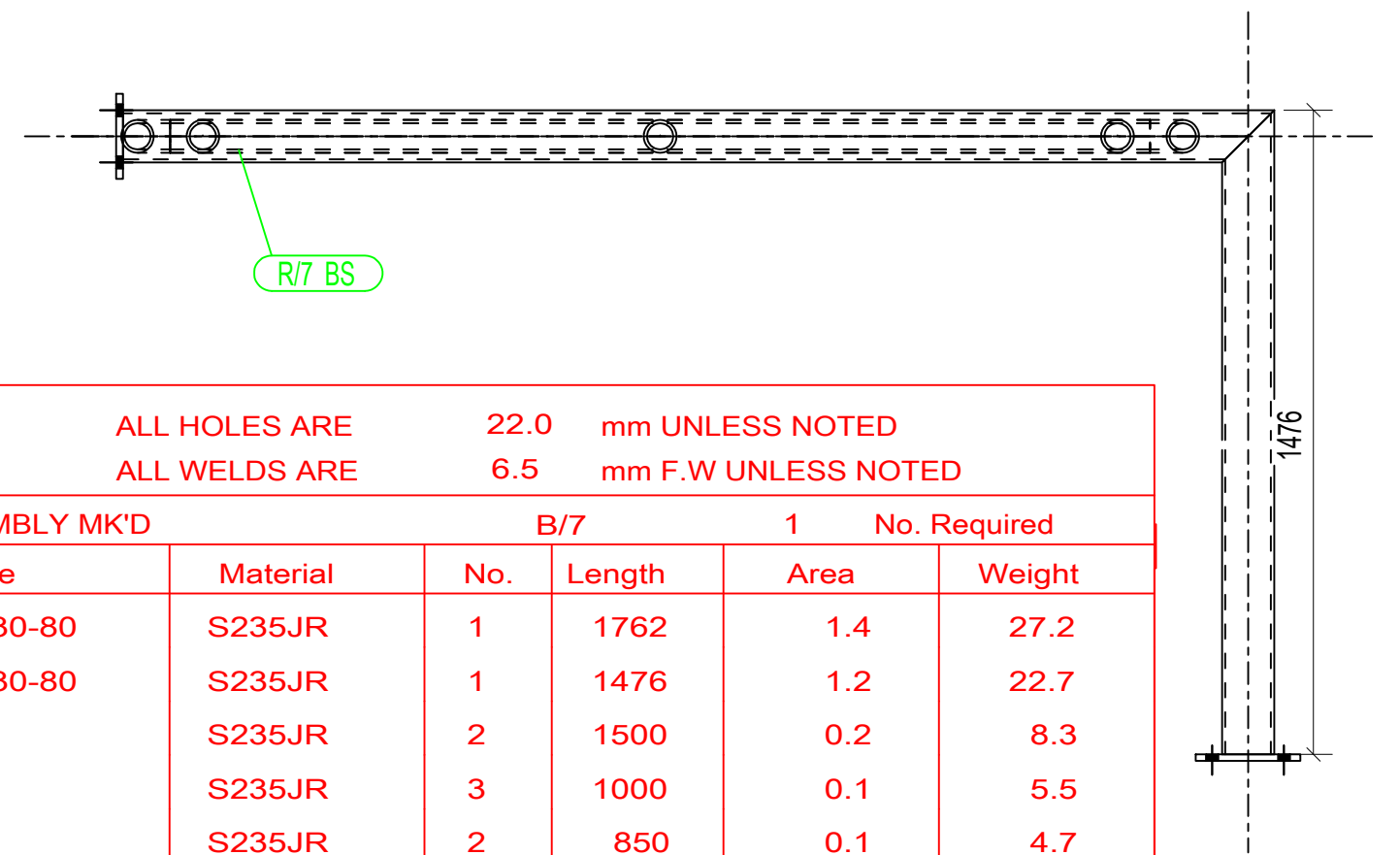
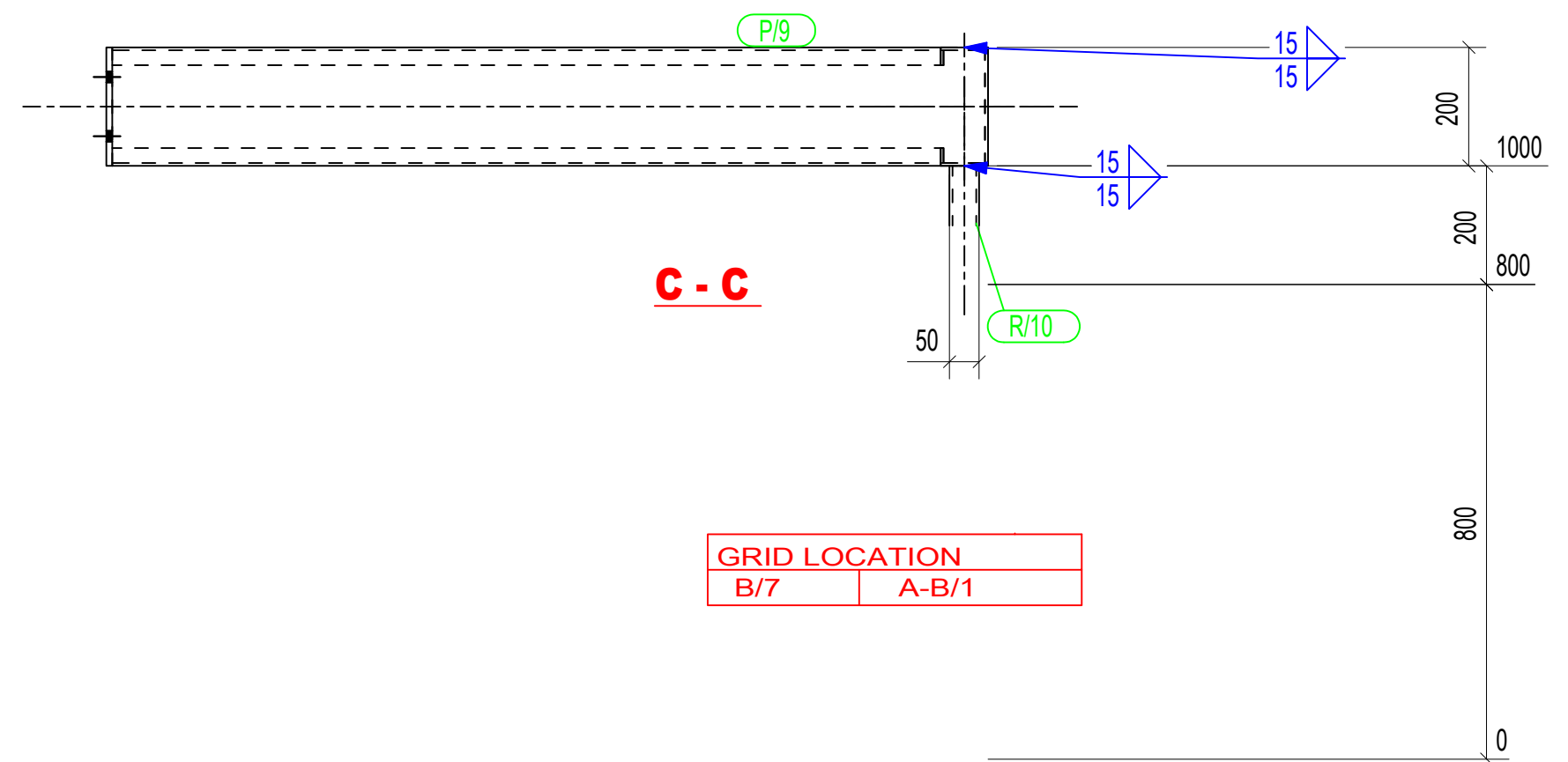
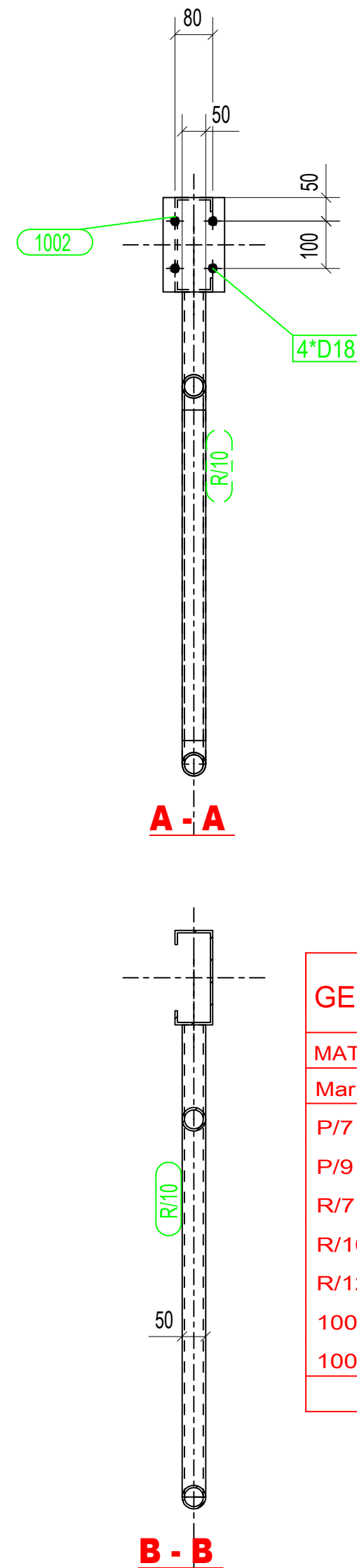
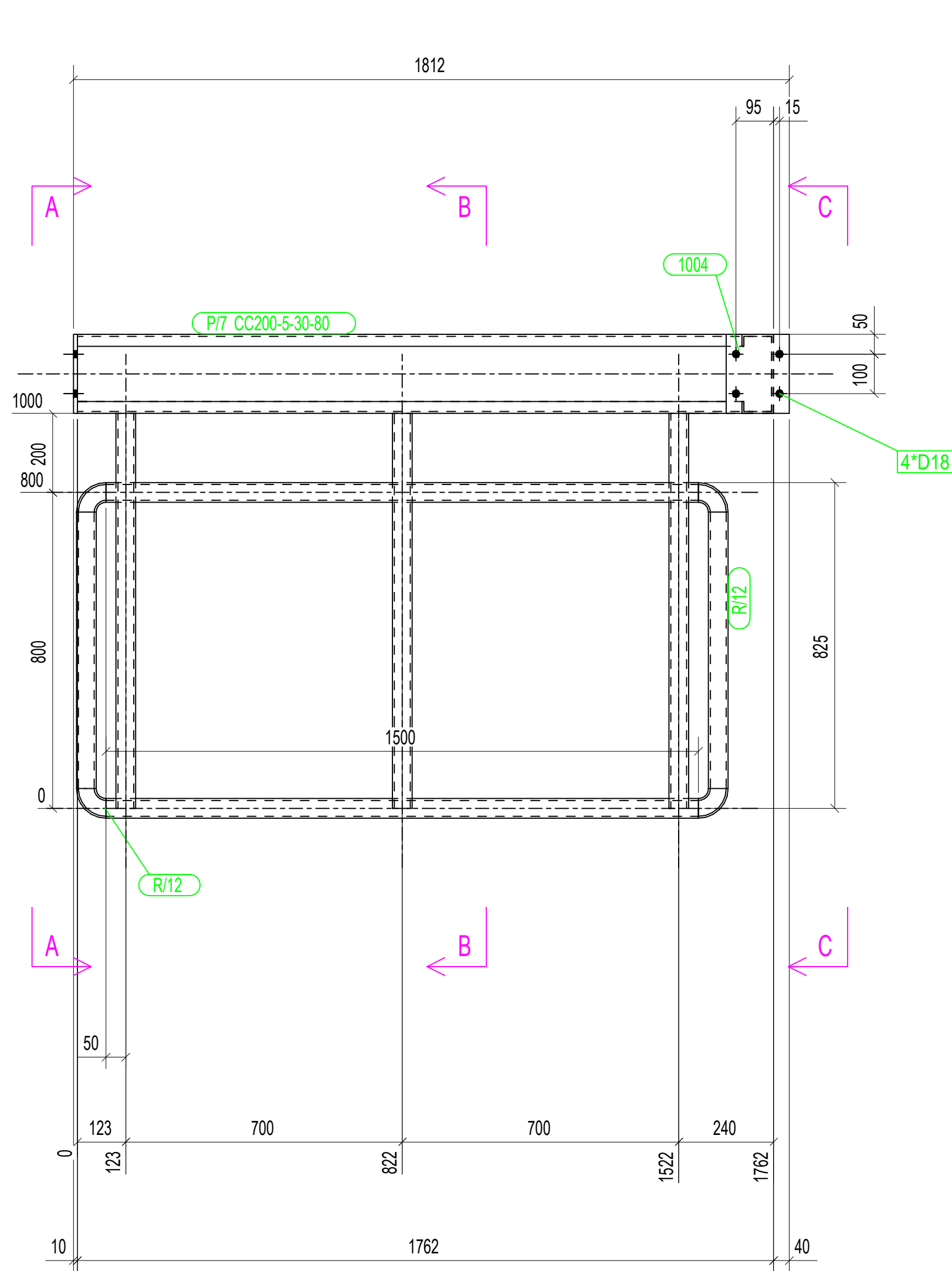
"NET Group" sh.p.k
Adresa: Tirane Rruga "Demokracia", ndertesa nr.1

Drejtesues i projektit
Adm.Ana NISHKU
Inxh.Liliana VLLAMASI

Projektues

Inxh.Valter BEGAJ	Elek. Altin ALLKAJ
Ark.Rigert HYRA	Mek. Bujar MERAJ
Hid.Luljeta KUCI	Top. Iv BEQARI

SHKALLA	FLETA
1 : 25	A- 4 - 12
Tiranë 2022	Format A2



GENERAL NOTES: ALL HOLES ARE 22.0 mm UNLESS NOTED
ALL WELDS ARE 6.5 mm F.W UNLESS NOTED

MATERIAL LIST FOR ASSEMBLY MK'D						
Mark	Profile	Material	No.	Length	Area	Weight
P/7	CC200-5-30-80	S235JR	1	1762	1.4	27.2
P/9	CC200-5-30-80	S235JR	1	1476	1.2	22.7
R/7	PD50*5	S235JR	2	1500	0.2	8.3
R/10	PD50*5	S235JR	3	1000	0.1	5.5
R/12	PD50*5	S235JR	2	850	0.1	4.7
1004	PL10*160	S235JR	1	200	0.1	2.5
1002	PL10*130	S235JR	1	200	0.1	2.0
Total					3.8	97.1

LEGJENDA	
- Kollona	HEA
- Pllakat fundore	Çelik Fe360
- Bulonat	Bulon klasa 4.6
	Toleranca e brimave 0.1mm
Saldimet	Trashësia minimale 8.5mm

Porositesi: Drejtoria Spitalit Rajonal Diber

OBJEKTI : HARTIM PROJEKTI ME OBJEKT RIKONSTRUKSIONI I SPITALIT RAJONAL DIBER "RRAHIM XHIKA"

Emertimi: SHKALLA E EMERGJENCES

"ARABEL - STUDIO" Sh.p.k



Adresa:
Diber, Peshkopi,
Lagjja Gjoke Doçi,
Bulevardi Elez Isufi,
Ndertesa Nr.05

"NET Group" sh.p.k



Adresa:
Tirane Rruga "Demokracia",
ndertesa nr.1

Drejtesues i projektit

Adm.Ana NISHKU

Inxh.Liliana VLLAMASI

Projektues

Inxh.Valter BEGAJ

Ark.Rigert HYRA

Hid.Luljeta KUCI

Elek. Altin ALLKAJ

Mek. Bujar MERAJ

Top. Iv BEQARI

SHKALLA

1 : 25

Tiranë 2022

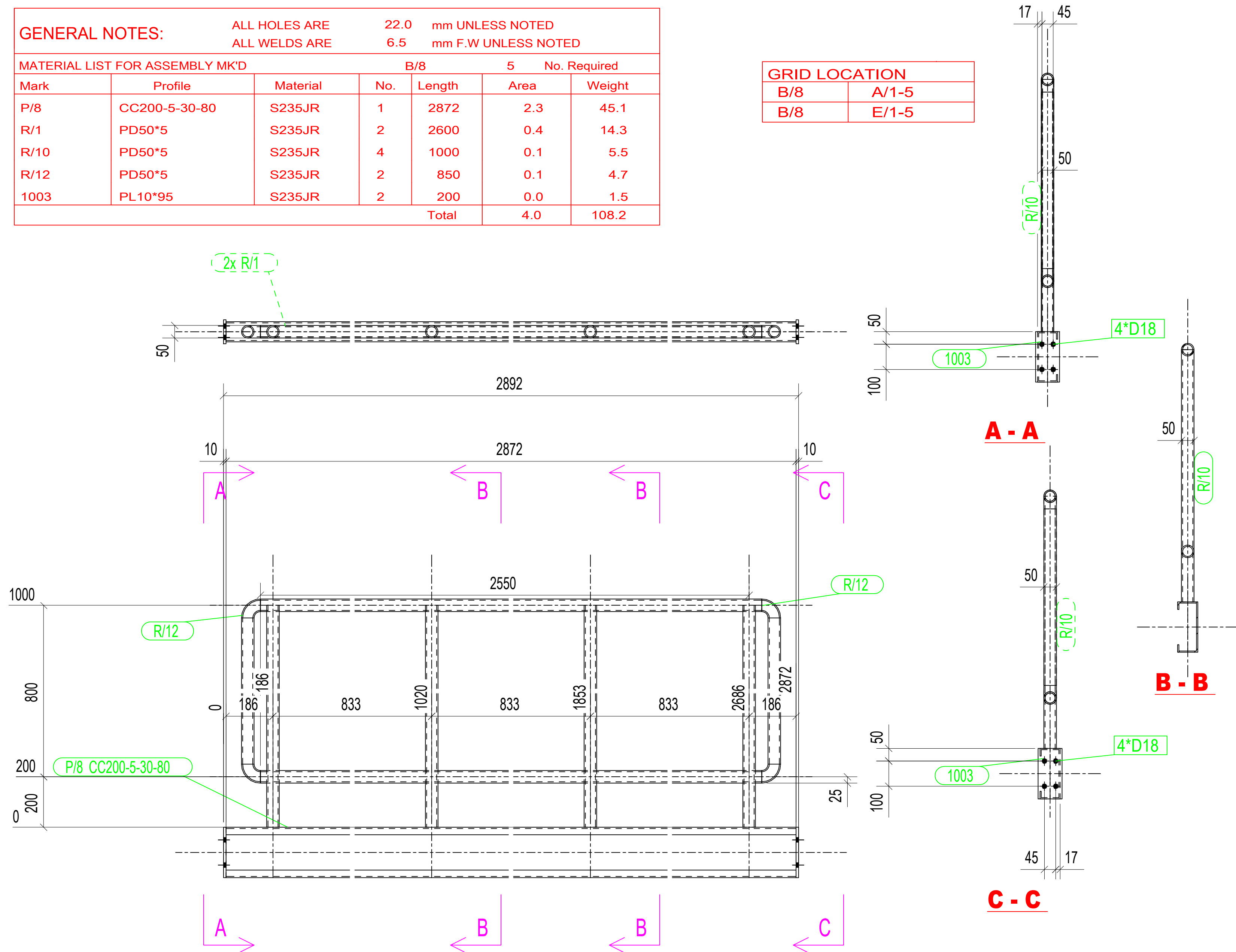
FLETA

A- 4 - 13

Format A2

GENERAL NOTES:		ALL HOLES ARE	22.0	mm UNLESS NOTED		
		ALL WELDS ARE	6.5	mm F.W UNLESS NOTED		
MATERIAL LIST FOR ASSEMBLY MK'D			B/8	5	No. Required	
Mark	Profile	Material	No.	Length	Area	Weight
P/8	CC200-5-30-80	S235JR	1	2872	2.3	45.1
R/1	PD50*5	S235JR	2	2600	0.4	14.3
R/10	PD50*5	S235JR	4	1000	0.1	5.5
R/12	PD50*5	S235JR	2	850	0.1	4.7
1003	PL10*95	S235JR	2	200	0.0	1.5
				Total	4.0	108.2

GRID LOCATION	
B/8	A/1-5
B/8	E/1-5



LEGJENDA	
- Kollona	HEA
- Pllakat fundore	Çelik Fe360
- Bulonat	Bulon klasa 4.6
	Toleranca e brimave 0.1mm
Saldimet	Trashësia minimale 8.5mm

Porositesi: Drejtoria Spitalit Rajonal Diber

OBJEKTI : HARTIM PROJEKTI ME OBJEKT RIKONSTRUKSIONI I SPITALIT RAJONAL DIBER "RRAHIM XHIKA"

Emertimi: SHKALLA E EMERGJENCES
"ARABEL - STUDIO" Sh.p.k
Adresa: Diber, Peshkopi, Lagjja Gjoke Doçi, Bulevardi Elez Isufi, Ndertesa Nr.05

"NET Group" sh.p.k
Adresa: Tirane Rruga "Demokracia", ndertesa nr.1

Drejtesues i projektit

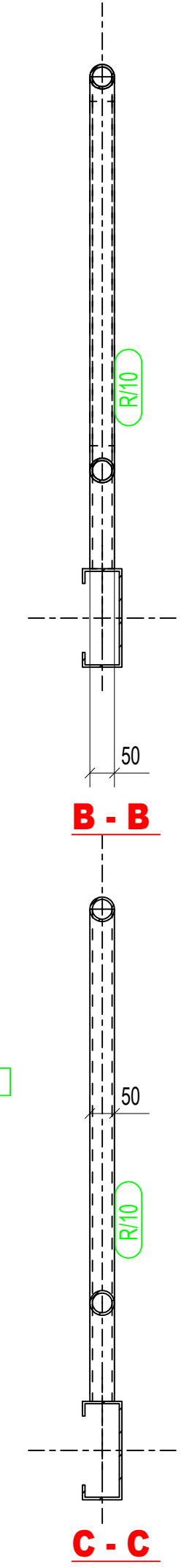
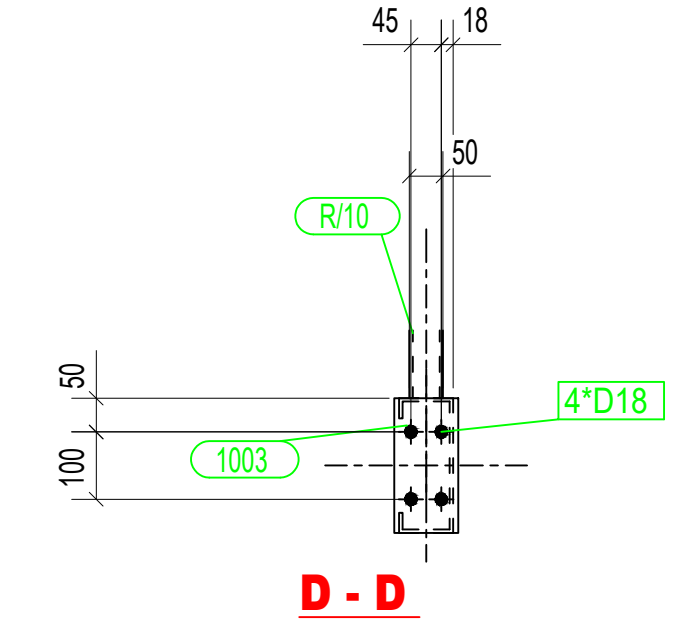
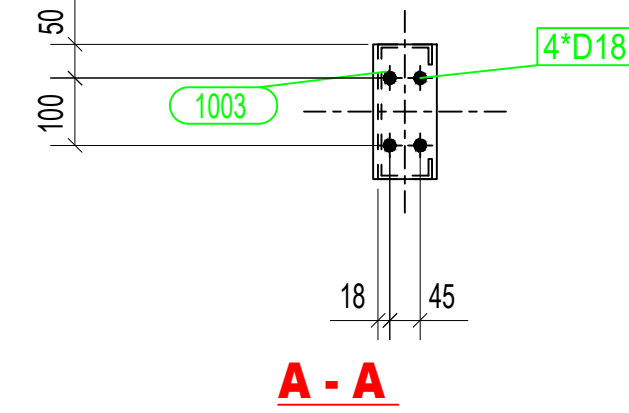
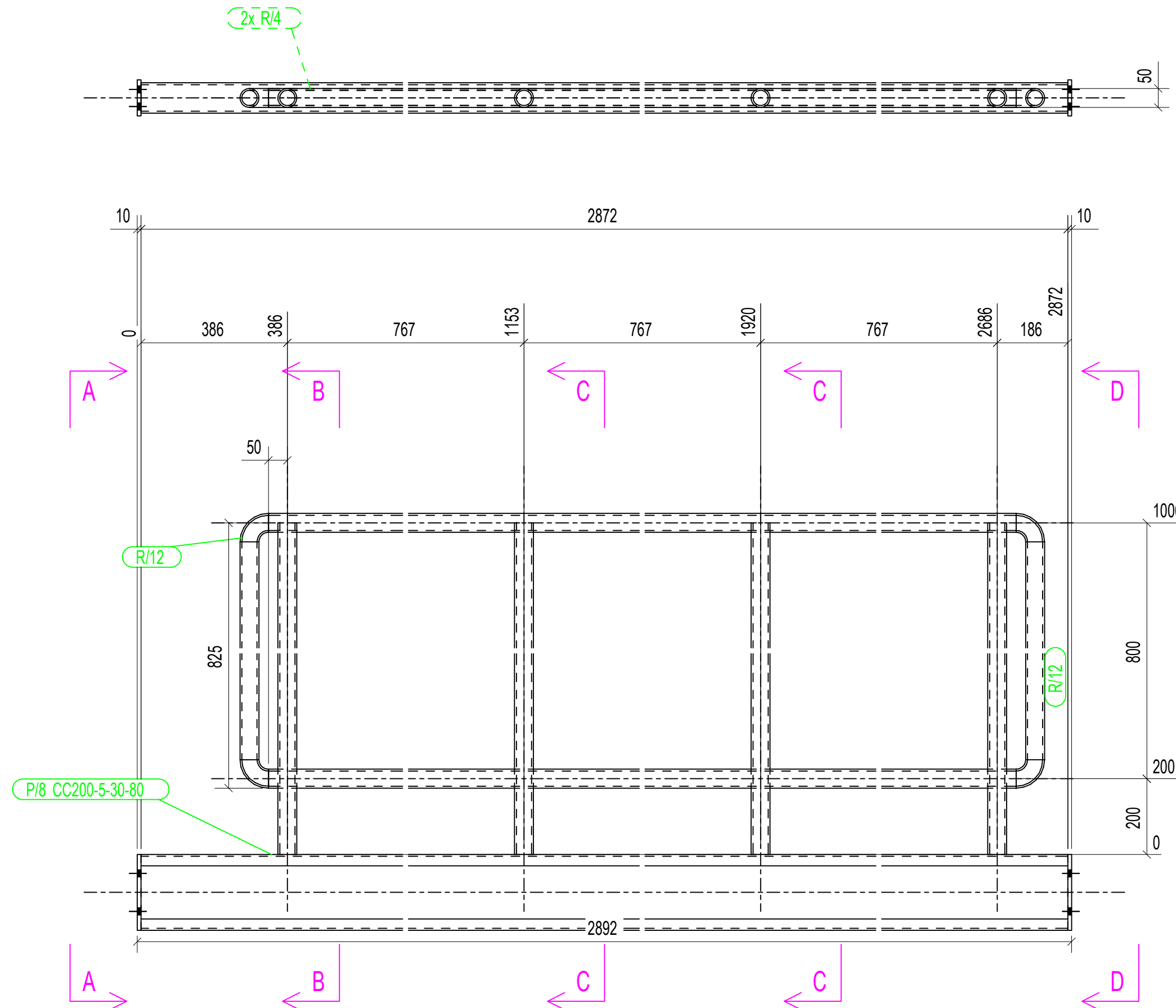
Adm.Ana NISHKU
Inxh.Liliana VLLAMASI

Projektues

Inxh.Valter BEGAJ
Ark.Rigert HYRA
Hid.Luljeta KUCI

Elek. Altin ALLKAJ
Mek. Bujar MERAJ
Top. Iv BEQARI

SHKALLA	FLETA
1 : 25	A- 4 - 14
Tiranë 2022	Format A2



GENERAL NOTES:		ALL HOLES ARE	22.0	mm UNLESS NOTED		
		ALL WELDS ARE	6.5	mm F.W UNLESS NOTED		
MATERIAL LIST FOR ASSEMBLY MK'D			B/9	3	No. Required	
Mark	Profile	Material	No.	Length	Area	Weight
P/8	CC200-5-30-80	S235JR	1	2872	2.3	45.1
R/4	PD50*5	S235JR	2	2400	0.3	13.2
R/10	PD50*5	S235JR	4	1000	0.1	5.5
R/12	PD50*5	S235JR	2	850	0.1	4.7
1003	PL10*95	S235JR	2	200	0.0	1.5
			Total		3.9	106.0

GRID LOCATION	
B/9	E/1-5

LEGJENDA	
- Kollona	HEA
- Pllakat fundore	Çelik Fe360
- Bulonat	Bulon klasa 4.6
	Toleranca e brimave 0.1mm
	Saldimet
	Trashësia minimale 8.5mm

Porositesi: Drejtoria Spitalit Rajonal Diber

OBJEKTI : HARTIM PROJEKTI ME OBJEKT RIKONSTRUKSIONI I SPITALIT RAJONAL DIBER "RRAHIM XHIKA"

Emertimi: SHKALLA E EMERGJENCES

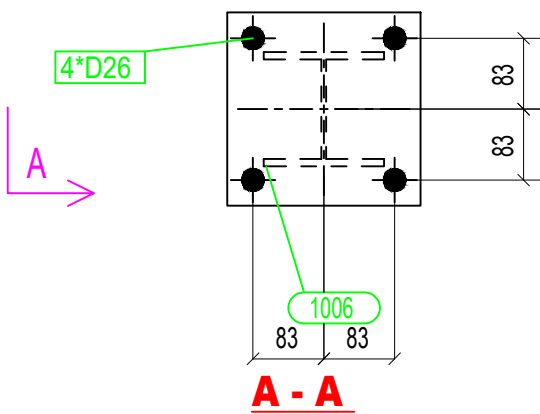
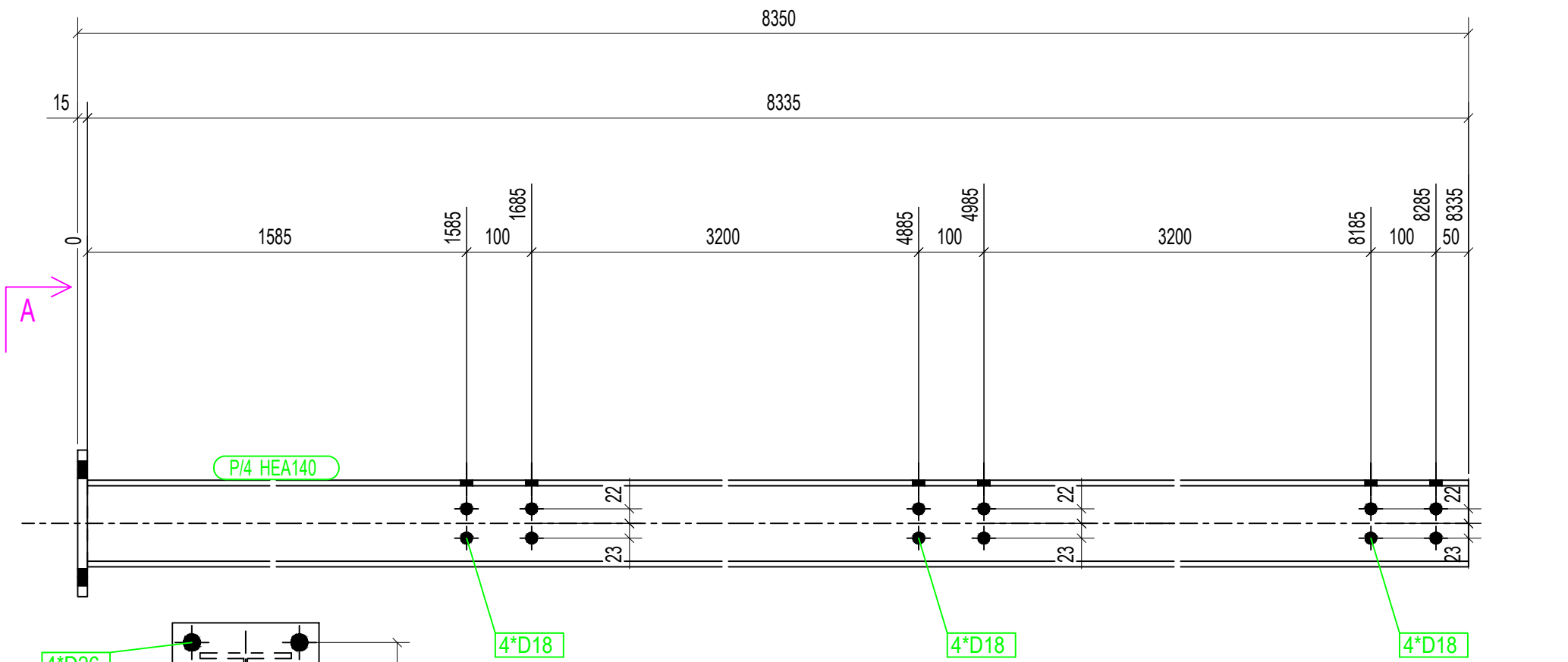
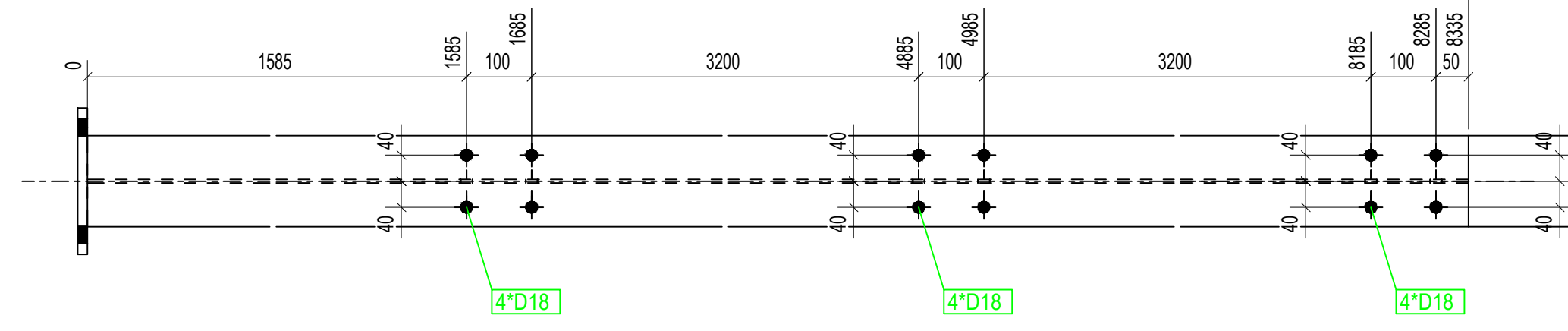
"ARABEL - STUDIO" Sh.p.k "NET Group" sh.p.k

Adresa: Diber, Peshkopi, Lagjja Gjoke Doçi, Bulevardi Elez Isufi, Ndertesa Nr.05

Adresa: Tirane Rruga "Demokracia", ndertesa nr.1

Drejtesues i projektit		Projektues	
Adm.Ana NISHKU	Inxh.Valter BEGAJ		Elek. Altin ALLKAJ
Inxh.Liliana VLLAMASI	Ark.Rigert HYRA		Mek. Bujar MERAJ
	Hid.Luljeta KUCI		Top. Iv BEQARI

SHKALLA	FLETA
1 : 25	A- 4 - 15
Tiranë 2022	Format A2

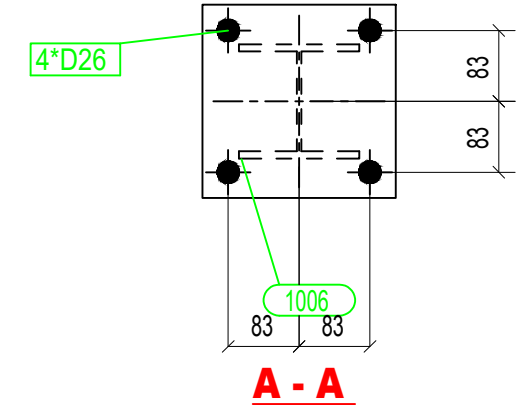
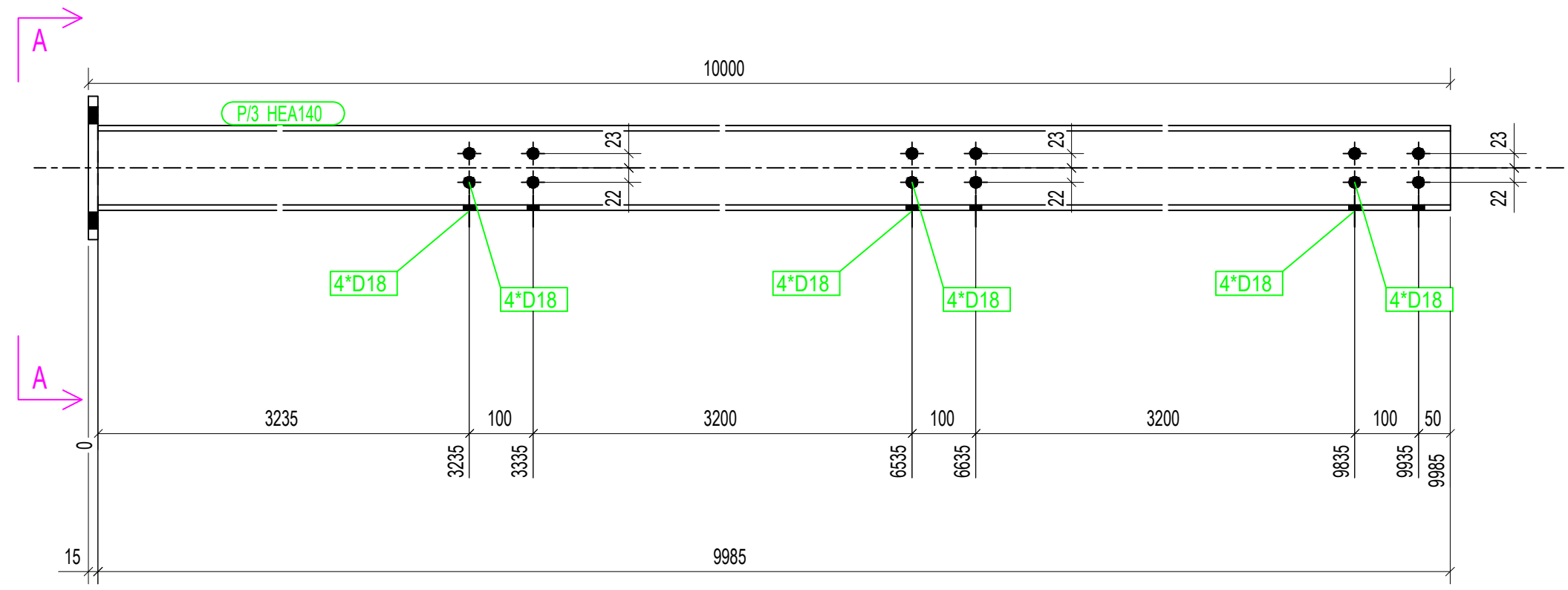
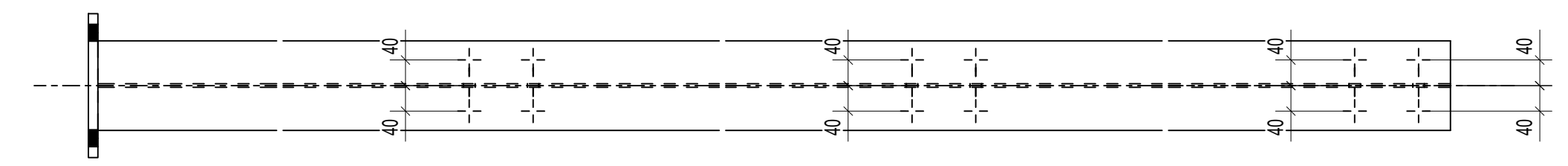


GENERAL NOTES: ALL HOLES ARE 22.0 mm UNLESS NOTED
ALL WELDS ARE 6.5 mm F.W UNLESS NOTED

MATERIAL LIST FOR ASSEMBLY MK'D						
Mark	Profile	Material	No.	Length	Area	Weight
P/4	HEA140	S235JR	1	8385	8.3	258.6
1006	PL15*225	S235JR	1	225	0.1	6.0
				Total	8.4	264.6

GRID LOCATION

C/2	E/1
C/2	E/5



GENERAL NOTES: ALL HOLES ARE 22.0 mm UNLESS NOTED
ALL WELDS ARE 6.5 mm F.W UNLESS NOTED

MATERIAL LIST FOR ASSEMBLY MK'D						
Mark	Profile	Material	No.	Length	Area	Weight
P/3	HEA140	S235JR	1	9985	9.5	295.6
1006	PL15*225	S235JR	1	225	0.1	6.0
				Total	9.6	301.6

GRID LOCATION

C/1	A/1
C/1	A/5

LEGJENDA

- Kollona HEA
- Pllakat fundore Çelik Fe360
- Bulonat
Bulon klasa 4.6
Toleranca e brimave 0.1mm
Saldimet
Trashësia minimale 8.5mm

Porositesi: Drejtoria Spitalit Rajonal Diber
OBJEKTI : HARTIM PROJEKTI ME OBJEKT RIKONSTRUKSIONI I SPITALIT RAJONAL DIBER "RRAHIM XHIKA"

Emertimi: SHKALLA E EMERGJENCES
"ARABEL - STUDIO" Sh.p.k
Adresa: Diber, Peshkopi, Lagjia Gjoke Doçi, Bulevardi Elez Isufi, Ndertesa Nr.05

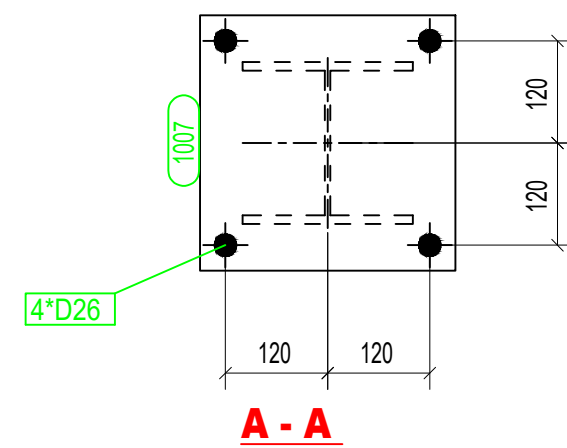
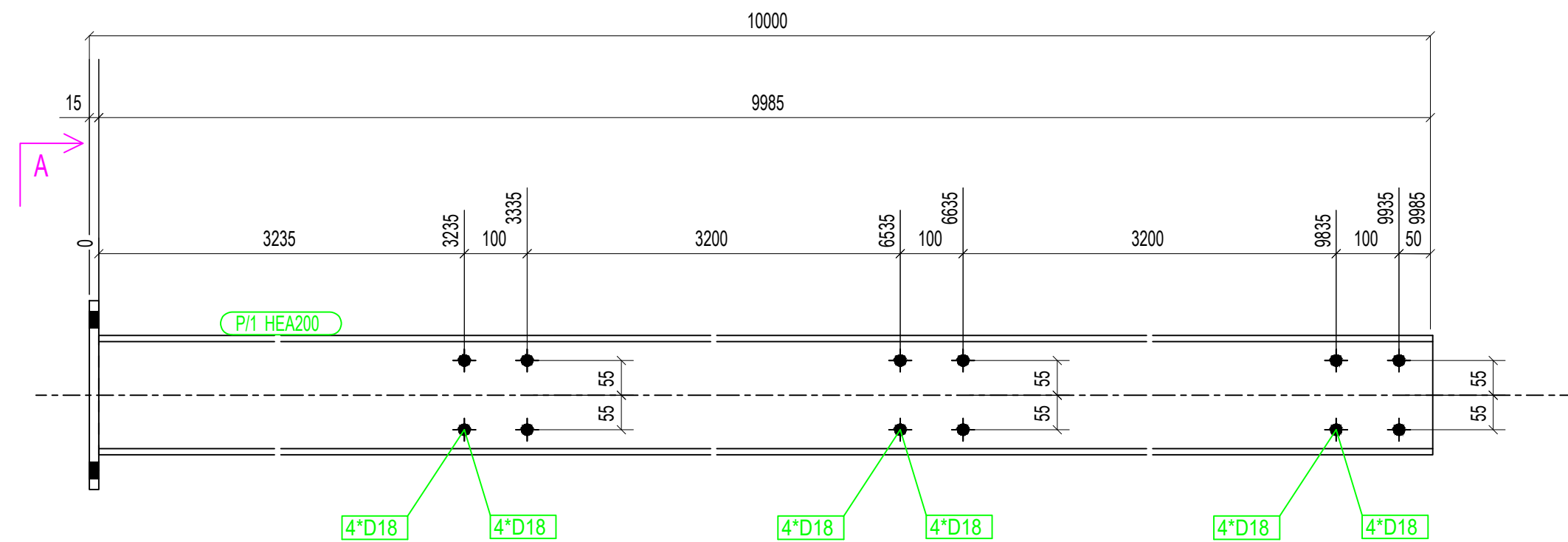
"NET Group" sh.p.k
Adresa: Tirane Rruga "Demokracia", ndertesha nr.1

Drejtesues i projektit

Adm. Ana NISHKU	Inxh. Valter BEGAJ	Elek. Altin ALLKAJ
Inxh. Liliانا VLLAMASI	Ark. Rigert HYRA	Mek. Bujar MERAJ
	Hid. Luljeta KUCI	Top. Iv BEQARI

Projektues

SHKALLA	FLETA
1 : 25	A - 4 - 16
Tiranë 2022	Format A2



GENERAL NOTES:
 ALL HOLES ARE 22.0 mm UNLESS NOTED
 ALL WELDS ARE 6.5 mm F.W UNLESS NOTED

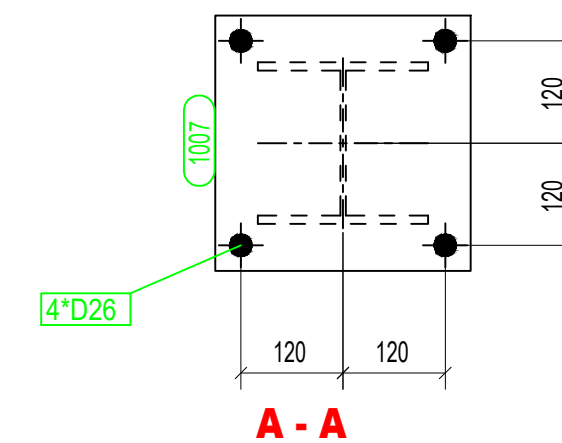
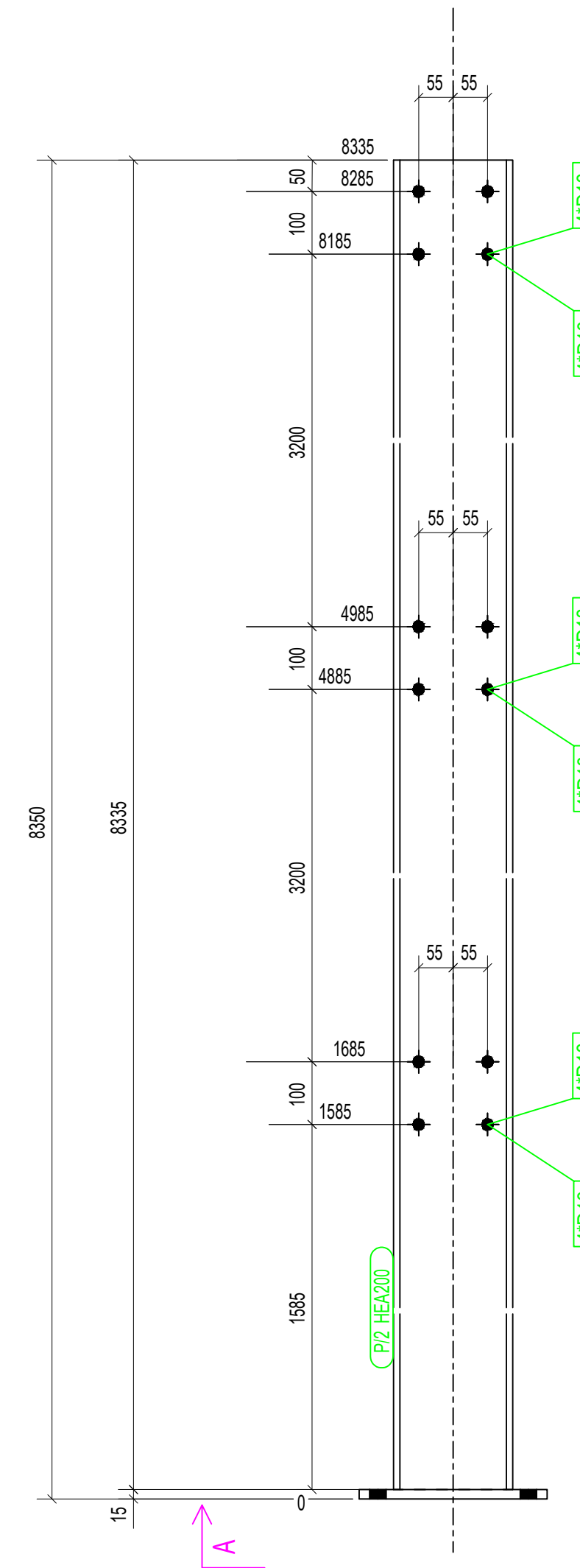
MATERIAL LIST FOR ASSEMBLY MK'D						
Mark	Profile	Material	No.	Length	Area	Weight
P/1	HEA200	S235JR	1	9985	13.6	506.4
1007	PL15*300	S235JR	1	300	0.2	10.6
			Total		13.8	517.0

GRID LOCATION	
C/3	B/3

GENERAL NOTES:
 ALL HOLES ARE 22.0 mm UNLESS NOTED
 ALL WELDS ARE 6.5 mm F.W UNLESS NOTED

MATERIAL LIST FOR ASSEMBLY MK'D						
Mark	Profile	Material	No.	Length	Area	Weight
P/2	HEA200	S235JR	1	8335	11.9	443.1
1007	PL15*300	S235JR	1	300	0.2	10.6
			Total		12.1	453.7

GRID LOCATION	
C/4	D/3



LEGJENDA

- Kollona HEA
- Pllakat fundore Çelik Fe360
- Bulonat Bulon klasa 4.6 Toleranca e brimave 0.1mm Saldimet Trashësia minimale 8.5mm

Porositesi: Drejtoria Spitalit Rajonal Diber

OBJEKTI : HARTIM PROJEKTI ME OBJEKT RIKONSTRUKSIONI I SPITALIT RAJONAL DIBER "RRAHIM XHIKA"

Emertimi: SHKALLA E EMERGJENCES

"ARABEL - STUDIO" Sh.p.k



Adresa:
Diber, Peshkopi,
Lagjja Gjoke Doçi,
Bulevardi Elez Isufi,
Ndertesa Nr.05

"NET Group" sh.p.k



Adresa:
Tirane Rruga "Demokracia",
ndertesa nr.1

Drejtesues i projektit

Adm.Ana NISHKU

Inxh.Liliana VLLAMASI

Projektues

Inxh.Valter BEGAJ

Ark.Rigert HYRA

Hid.Luljeta KUCI

Elek. Altin ALLKAJ

Mek. Bujar MERAJ

Top. Iv BEQARI

SHKALLA

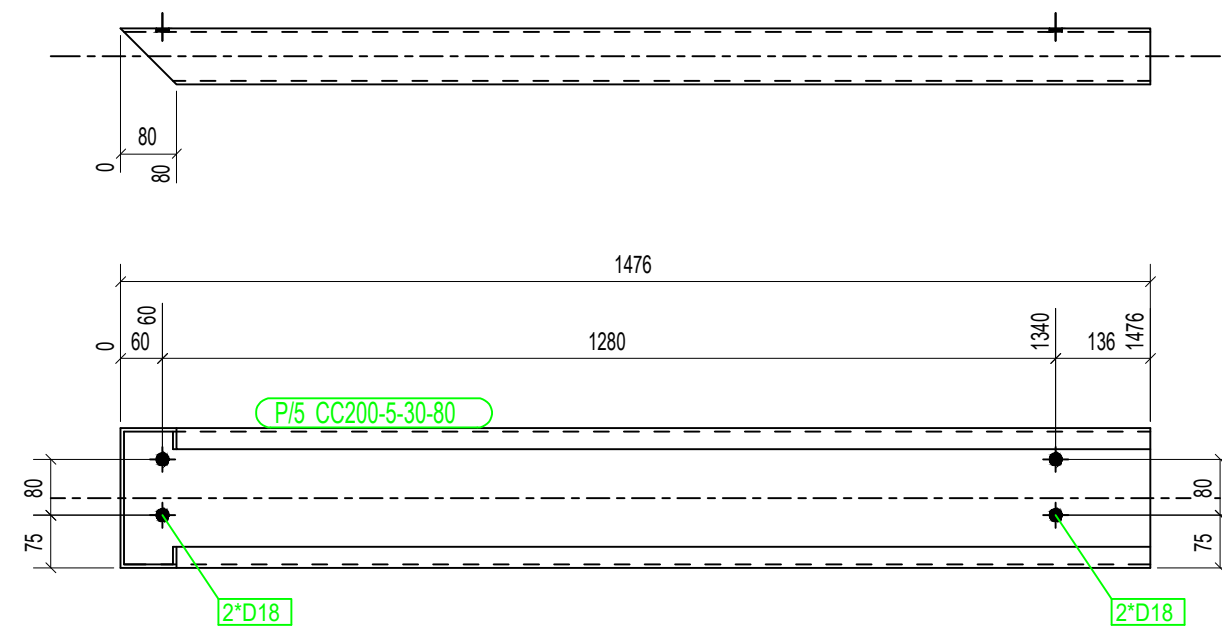
1 : 25

Tiranë 2022

FLETA

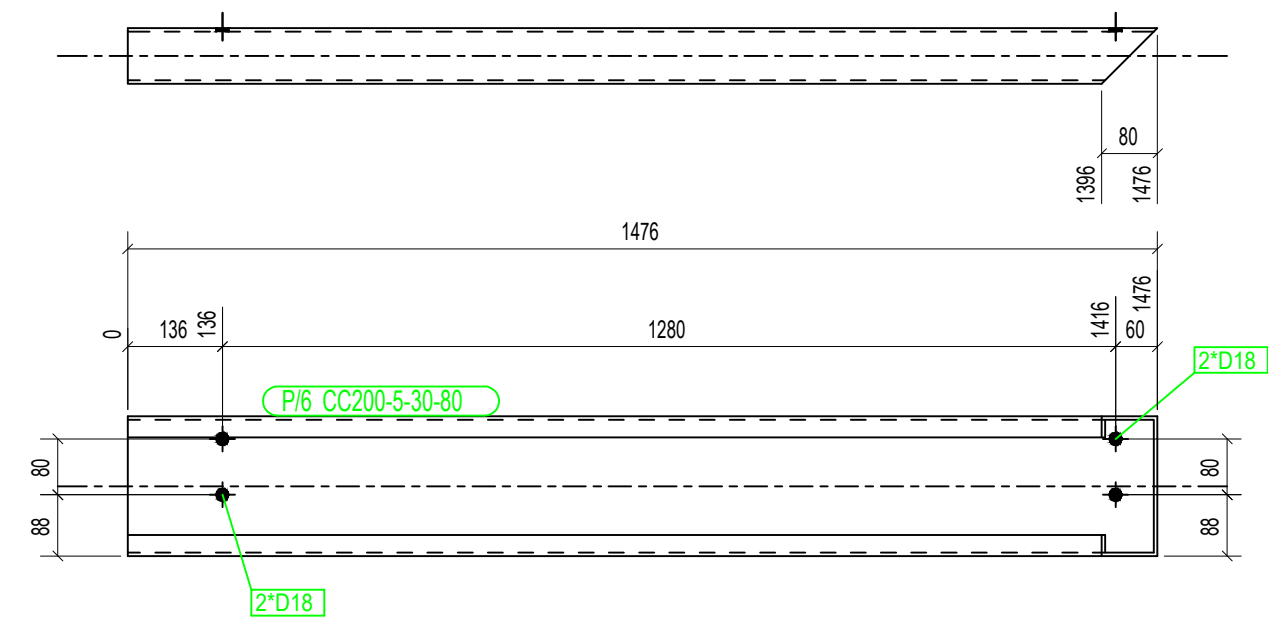
A- 4 - 17

Format A2



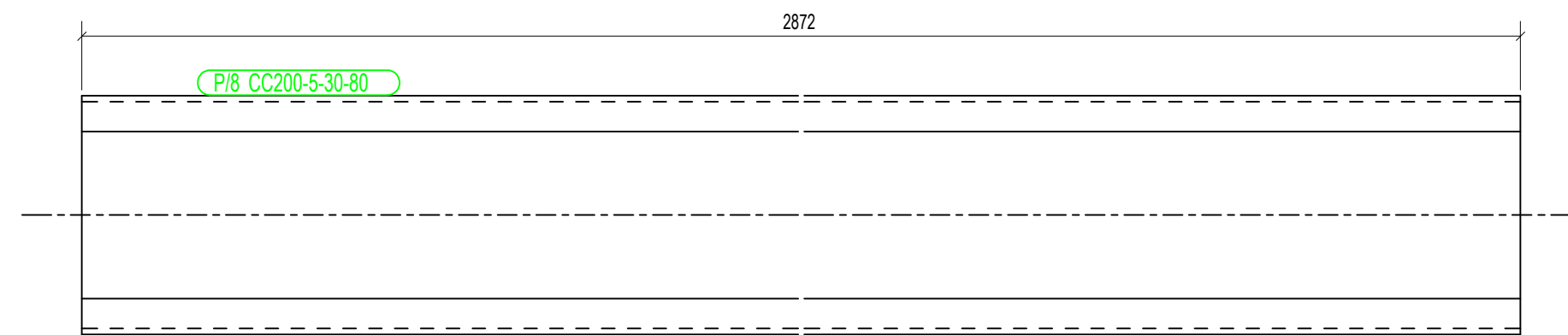
MATERIAL LIST FOR WORKSHOP						
MARK	SIZE	GRADE	No.	LENGTH	AREA	WEIGHT
P/5	CC200-5-30-80	S235JR	6	1475.7	1.18	22.7
			TOTAL	7.07	136.5	

No.	In assembly
4	B/1
2	B/2



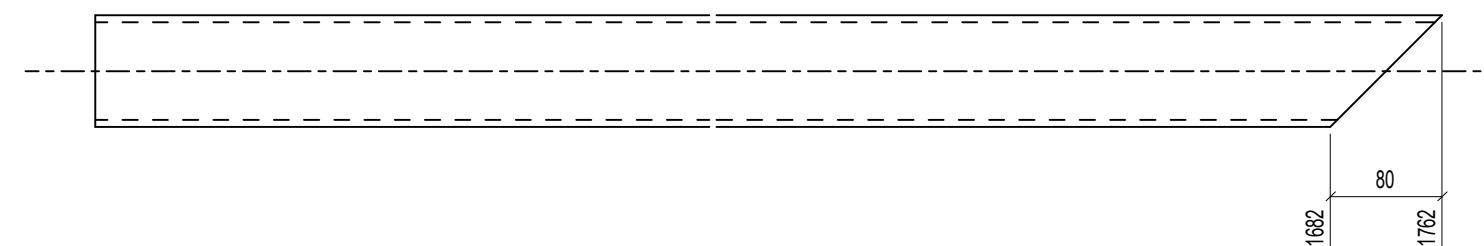
MATERIAL LIST FOR WORKSHOP						
MARK	SIZE	GRADE	No.	LENGTH	AREA	WEIGHT
P/6	CC200-5-30-80	S235JR	8	1475.7	1.18	22.7
			TOTAL	9.42	182.0	

No.	In assembly
1	B/3
3	B/4
4	B/5



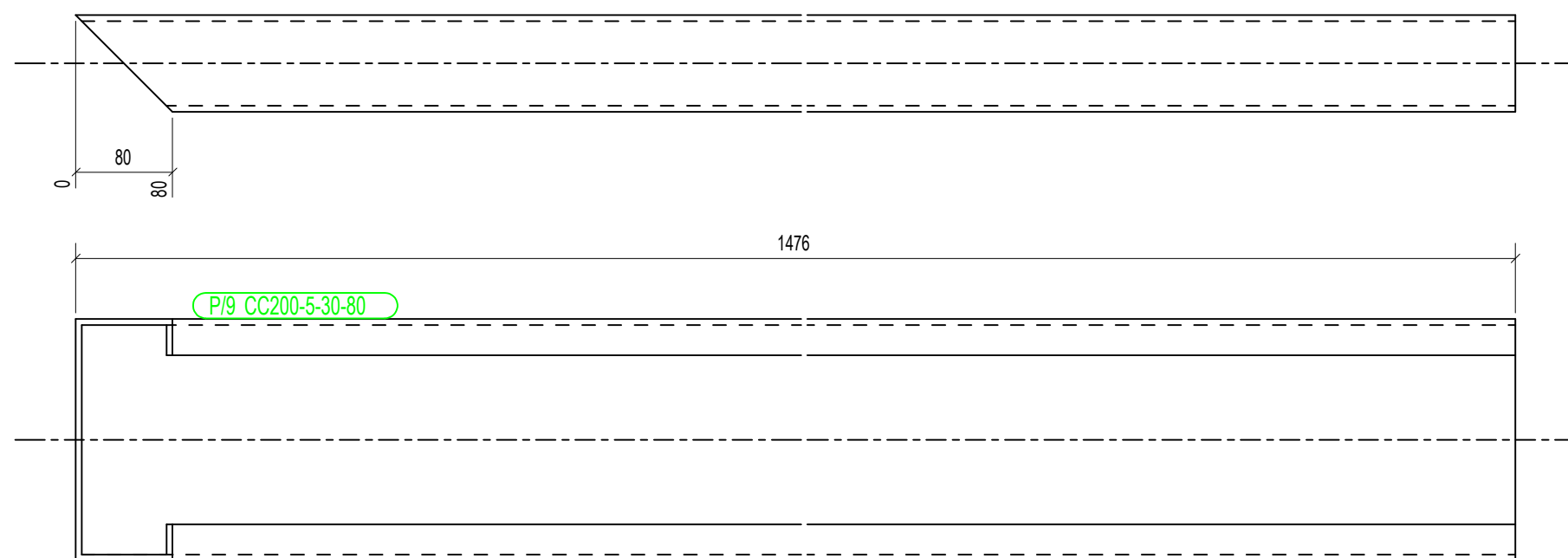
MATERIAL LIST FOR WORKSHOP						
MARK	SIZE	GRADE	No.	LENGTH	AREA	WEIGHT
P/8	CC200-5-30-80	S235JR	8	2872.5	2.33	45.1
			TOTAL	18.65	360.8	

No.	In assembly
5	B/8
3	B/9



MATERIAL LIST FOR WORKSHOP						
MARK	SIZE	GRADE	No.	LENGTH	AREA	WEIGHT
P/7	CC200-5-30-80	S235JR	16	1762.5	1.41	27.2
			TOTAL	22.56	436.0	

No.	In assembly
4	B/1
2	B/2
1	B/3
3	B/4
4	B/5
1	B/6
1	B/7



MATERIAL LIST FOR WORKSHOP						
MARK	SIZE	GRADE	No.	LENGTH	AREA	WEIGHT
P/9	CC200-5-30-80	S235JR	2	1475.7	1.18	22.7
			TOTAL	2.36	45.5	

No.	In assembly
1	B/6
1	B/7

LEGJENDA	
- Kollona	HEA
- Pllakat fundore	Çelik Fe360
- Bulonat	Bulon klasa 4.6
	Toleranca e brimave 0.1mm
Saldimet	Trashësia minimale 8.5mm

Porositesi: Drejtoria Spitalit Rajonal Diber

OBJEKTI : HARTIM PROJEKTI ME OBJEKT RIKONSTRUKSIONI I SPITALIT RAJONAL DIBER "RRAHIM XHIKA"

Emertimi: SHKALLA E EMERGJENCES

"ARABEL - STUDIO" Sh.p.k



Adresa:
Diber, Peshkopi,
Lagjja Gjoke Doçi,
Bulevardi Elez Isufi,
Ndertesa Nr.05

"NET Group" sh.p.k



Adresa:
Tirane Rruga "Demokracia",
ndertesa nr.1

Drejtesues i projektit

Adm.Ana NISHKU

Inxh.Liliana VLLAMASI

Projektues

Inxh.Valter BEGAJ

Ark.Rigert HYRA

Hid.Luljeta KUCI

Elek. Altin ALLKAJ

Mek. Bujar MERAJ

Top. Iv BEQARI

SHKALLA

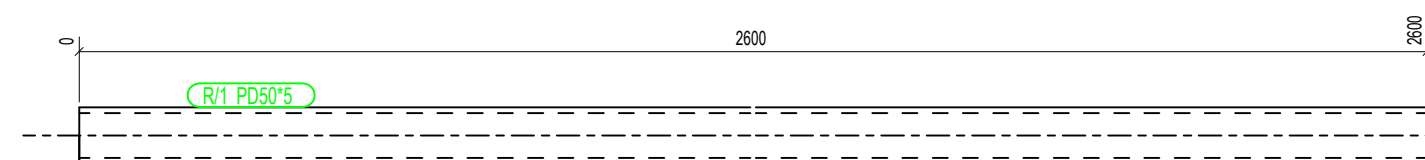
1 : 25

Tiranë 2022

FLETA

A- 4 - 18

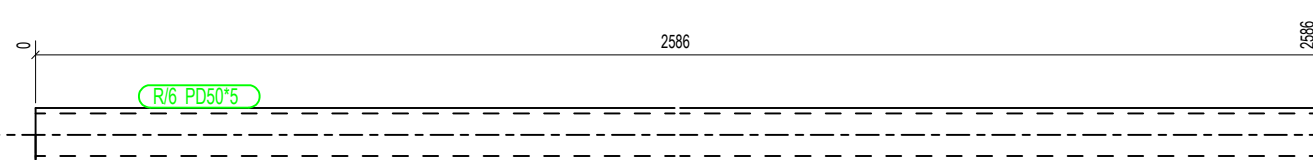
Format A2



R/1 PD50*5

MARK	SIZE	GRADE	No.	LENGTH	AREA	WEIGHT
R/1	PD50*5	S235JR	10	2600.0	0.37	14.3
MATERIAL LIST FOR WORKSHOP				TOTAL	3.68	143.3

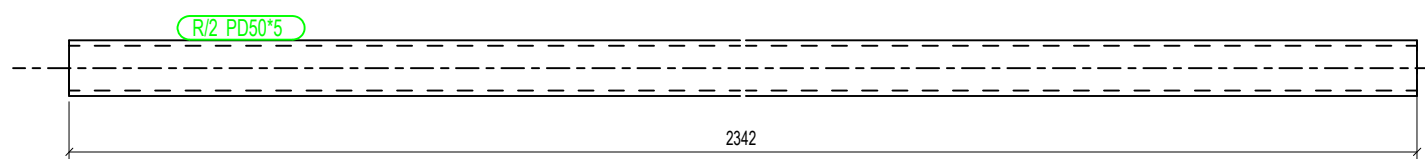
No.	In assembly
10	B/8



R/6 PD50*5

MARK	SIZE	GRADE	No.	LENGTH	AREA	WEIGHT
R/6	PD50*5	S235JR	16	2585.5	0.37	14.3
MATERIAL LIST FOR WORKSHOP				TOTAL	5.85	228.1

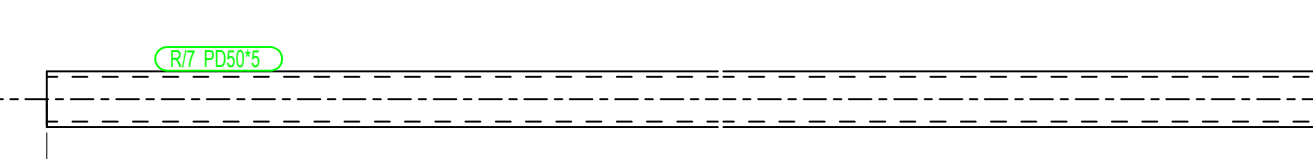
No.	In assembly
2	2
2	3
2	4
2	5
4	7
4	10



R/2 PD50*5

MARK	SIZE	GRADE	No.	LENGTH	AREA	WEIGHT
R/2	PD50*5	S235JR	16	2342.4	0.33	12.9
MATERIAL LIST FOR WORKSHOP				TOTAL	5.30	206.6

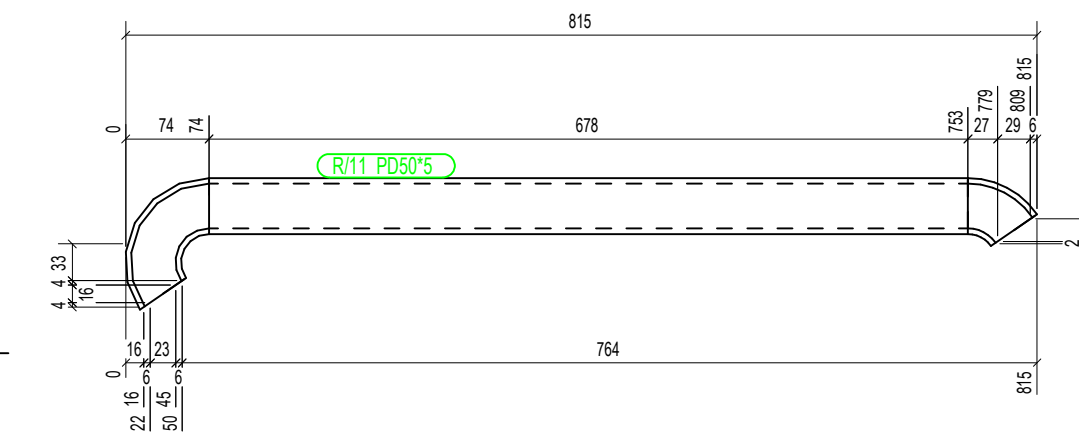
No.	In assembly
6	6
4	8
4	9
2	11



R/7 PD50*5

MARK	SIZE	GRADE	No.	LENGTH	AREA	WEIGHT
R/7	PD50*5	S235JR	8	1500.0	0.21	8.3
MATERIAL LIST FOR WORKSHOP				TOTAL	1.70	66.2

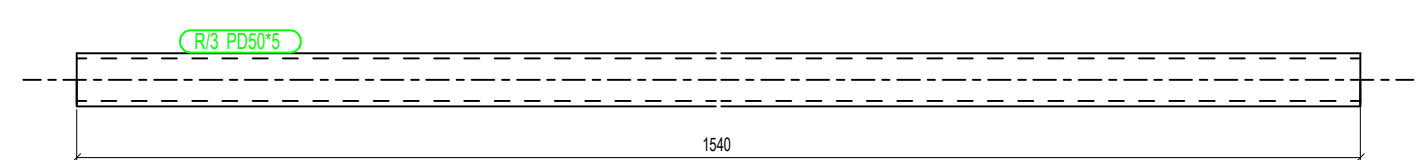
No.	In assembly
4	B/2
2	B/6
2	B/7



R/11 PD50*5

MARK	SIZE	GRADE	No.	LENGTH	AREA	WEIGHT
R/11	PD50*5	S235JR	32	814.6	0.12	4.6
MATERIAL LIST FOR WORKSHOP				TOTAL	3.83	147.0

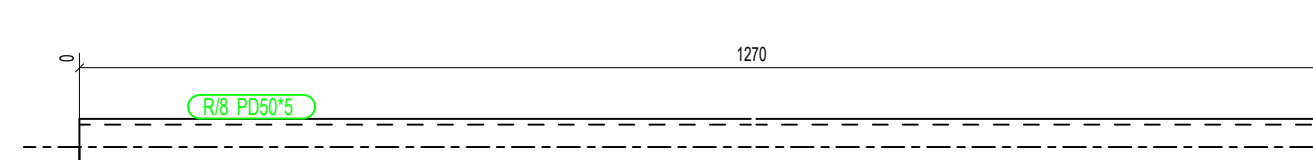
No.	In assembly
2	2
2	3
2	4
2	5
6	6
4	7
4	8
4	9
4	10
2	11



R/3 PD50*5

MARK	SIZE	GRADE	No.	LENGTH	AREA	WEIGHT
R/3	PD50*5	S235JR	14	1540.0	0.22	8.5
MATERIAL LIST FOR WORKSHOP				TOTAL	3.05	118.9

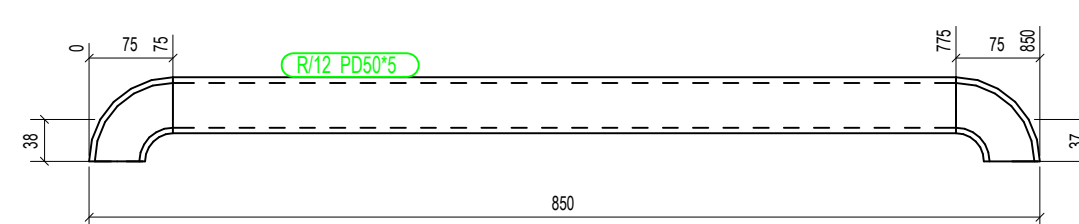
No.	In assembly
8	B/1
6	B/4



R/8 PD50*5

MARK	SIZE	GRADE	No.	LENGTH	AREA	WEIGHT
R/8	PD50*5	S235JR	2	1270.0	0.18	7.0
MATERIAL LIST FOR WORKSHOP				TOTAL	0.36	14.0

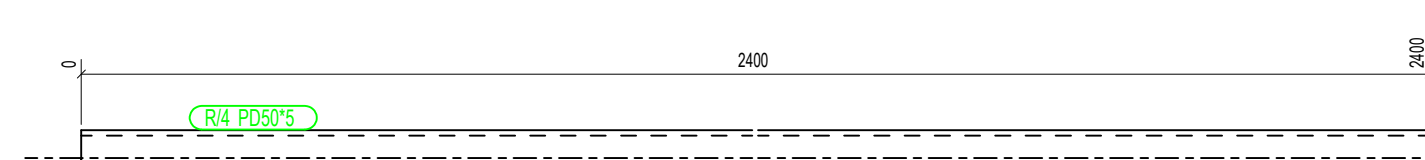
No.	In assembly
2	B/6



R/12 PD50*5

MARK	SIZE	GRADE	No.	LENGTH	AREA	WEIGHT
R/12	PD50*5	S235JR	48	850.0	0.12	4.7
MATERIAL LIST FOR WORKSHOP				TOTAL	5.90	226.3

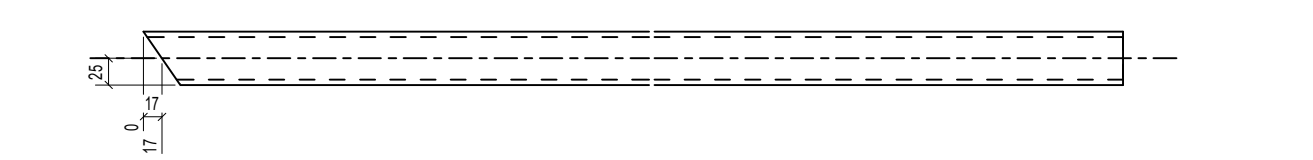
No.	In assembly
8	B/1
4	B/2
6	B/4
8	B/5
4	B/6
2	B/7
10	B/8
6	B/9



R/4 PD50*5

MARK	SIZE	GRADE	No.	LENGTH	AREA	WEIGHT
R/4	PD50*5	S235JR	6	2400.0	0.34	13.2
MATERIAL LIST FOR WORKSHOP				TOTAL	2.04	79.4

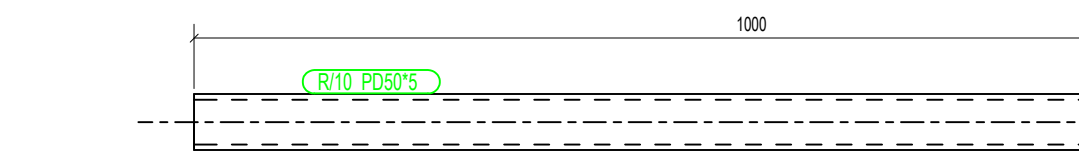
No.	In assembly
6	B/9



R/9 PD50*5

MARK	SIZE	GRADE	No.	LENGTH	AREA	WEIGHT
R/9	PD50*5	S235JR	48	1017.3	0.14	5.5
MATERIAL LIST FOR WORKSHOP				TOTAL	6.81	264.6

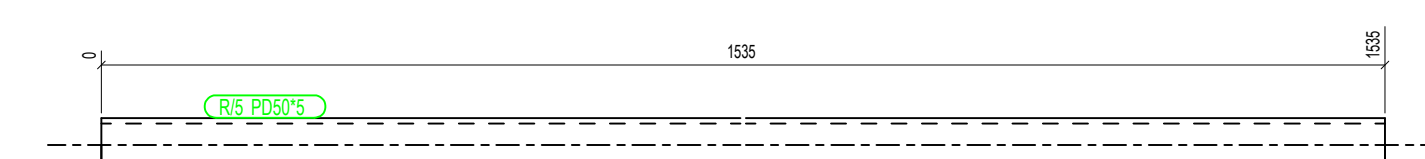
No.	In assembly
3	2
3	3
3	4
3	5
9	6
6	7
6	8
6	9
6	10
3	11



R/10 PD50*5

MARK	SIZE	GRADE	No.	LENGTH	AREA	WEIGHT
R/10	PD50*5	S235JR	80	1000.0	0.14	5.5
MATERIAL LIST FOR WORKSHOP				TOTAL	11.35	441.1

No.	In assembly
12	B/1
6	B/2
9	B/4
12	B/5
6	B/6
3	B/7
20	B/8
12	B/9



R/5 PD50*5

MARK	SIZE	GRADE	No.	LENGTH	AREA	WEIGHT
R/5	PD50*5	S235JR	8	1535.0	0.22	8.5
MATERIAL LIST FOR WORKSHOP				TOTAL	1.74	67.7

No.	In assembly
8	B/5

LEGJENDA

- Kollona HEA
- Pllakat fundore Çelik Fe360
- Bulonat
 - Bulon klasa 4.6
 - Toleranca e brimave 0.1mm
- Saldimet
 - Trashësia minimale 8.5mm

Porositesi: Drejtoria Spitalit Rajonal Diber

OBJEKTI : HARTIM PROJEKTI ME OBJEKT RIKONSTRUKSIONI I SPITALIT RAJONAL DIBER "RRAHIM XHIKA"

Emertimi: SHKALLA E EMERGJENCES

"ARABEL - STUDIO" Sh.p.k "NET Group" sh.p.k

Adresa: Diber, Peshkopi, Lagjja Gjoke Doçi, Bulevardi Elez Isufi, Ndertesa Nr.05

Adresa: Tirane Rruga "Demokracia", ndertesa nr.1

Drejtes i projektit

Adm.Ana NISHKU

Inxh.Liliana VLLAMASI

Projektues

Inxh.Valter BEGAJ Elek. Altin ALLKAJ

Ark.Rigert HYRA Mek. Bujar MERAJ

Hid.Luljeta KUCI Top. Iv BEQARI

SHKALLA **FLETA**

1 : 25 A- 4 - 19

Tiranë 2022 Format A2