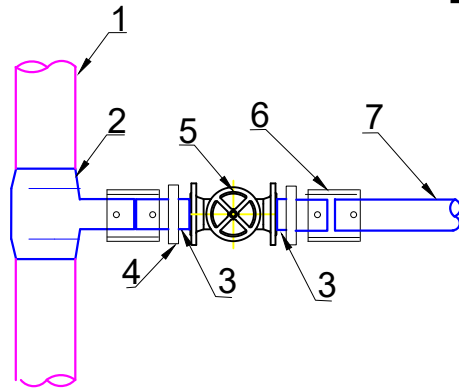
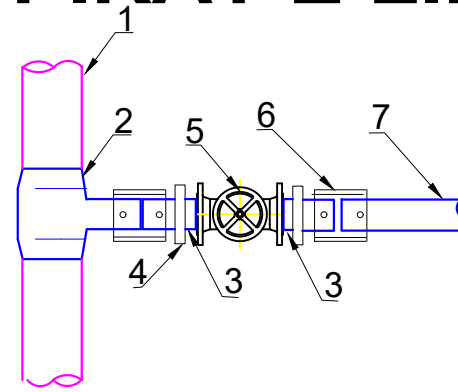


DETAJE NE PIKAT E LIDHJES (NYJET)



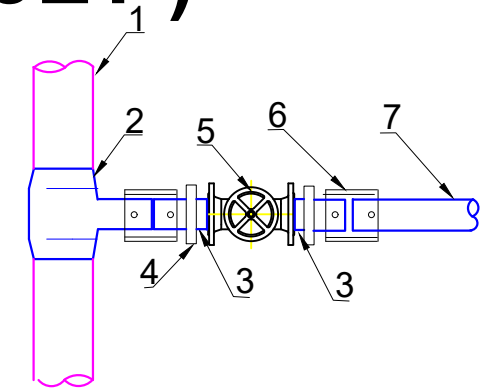
Baza materiale

1	Tub. PE100PN10 Dj-110 mm
2	Stafe PE e/f Dn-(110x90)mm
3	Adaptor Dn-90mm
4	Fllanxe Adaptor Dn-90mm
5	Saracineske Dn-50mm
6	Manikote e/f Dn-90mm
7	Tub. PE100PN10 Dj-90mm



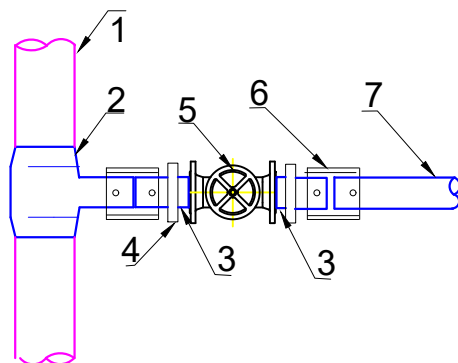
Baza materiale

1	Tub. PE100PN10 Dj-110 mm
2	Stafe PE e/f Dn-(110x75)mm
3	Adaptor Dn-75mm
4	Fllanxe Adaptor Dn-75mm
5	Saracineske Dn-50mm
6	Manikote e/f Dn-75mm
7	Tub. PE100PN10 Dj-75mm



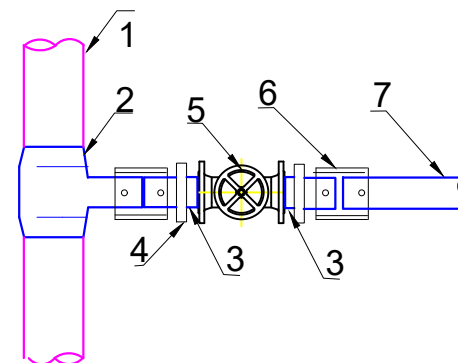
Baza materiale

1	Tub. PE100PN10 Dj-110 mm
2	Stafe PE e/f Dn-(110x63)mm
3	Adaptor Dn-63mm
4	Fllanxe Adaptor Dn-63mm
5	Saracineske Dn-50mm
6	Manikote e/f Dn-63mm
7	Tub. PE100PN10 Dj-63mm



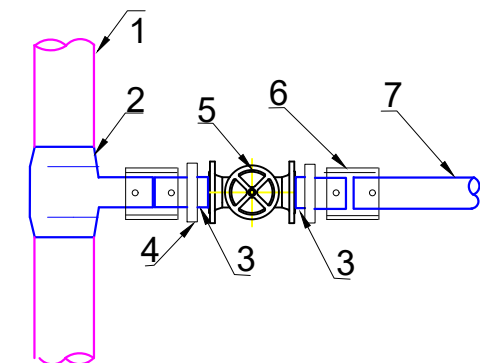
Baza materiale

1	Tub. PE100PN10 Dj-90 mm
2	Stafe PE e/f Dn-(90x75)mm
3	Adaptor Dn-75mm
4	Fllanxe Adaptor Dn-75mm
5	Saracineske Dn-50mm
6	Manikote e/f Dn-75mm
7	Tub. PE100PN10 Dj-75mm



Baza materiale

1	Tub. PE100PN10 Dj-90 mm
2	Stafe PE e/f Dn-(90x63)mm
3	Adaptor Dn-63mm
4	Fllanxe Adaptor Dn-63mm
5	Saracineske Dn-50mm
6	Manikote e/f Dn-63mm
7	Tub. PE100PN10 Dj-63mm



Baza materiale

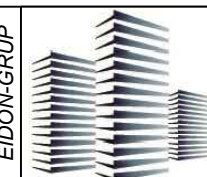
1	Tub. PE100PN10 Dj-90 mm
2	Stafe PE e/f Dn-(90x50)mm
3	Adaptor Dn-50mm
4	Fllanxe Adaptor Dn-50mm
5	Saracineske Dn-50mm
6	Manikote e/f Dn-50mm
7	Tub. PE100PN10 Dj-50mm

Investitor :
SH.A
UJESJELLES
KANALIZIME
DIBER

Objekti: FURNIZIMI ME UJE PER FSHATIN BREZHDAN DHE USHTELENXE (Faza II)

Emertimi i fletes : DETAJE TIP

EIDON-GRUP

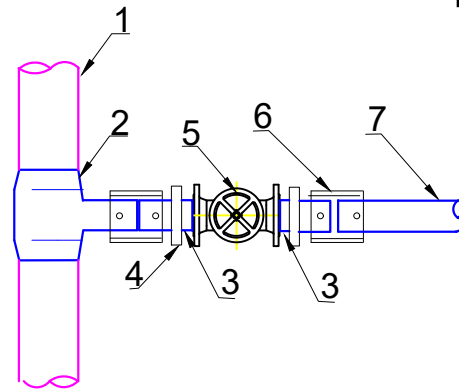


Inxh. Elidon **KALLAVERJA**
Inxh. Irakli **DINAJ**
Inxh. Edmond **ÇIPA**
Inxh. Bashkim **KANINA**
Inxh. Albert **MILUSHI**

K-1572/4
GJ-0576/2
HT-0196/3
T-0566/1
K-2566

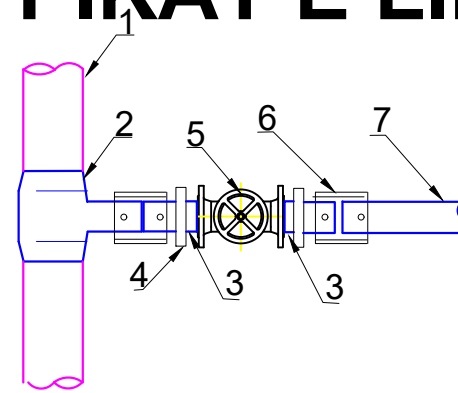
Nr. 13

DETAJE NE PIKAT E LIDHJES (NYJET)



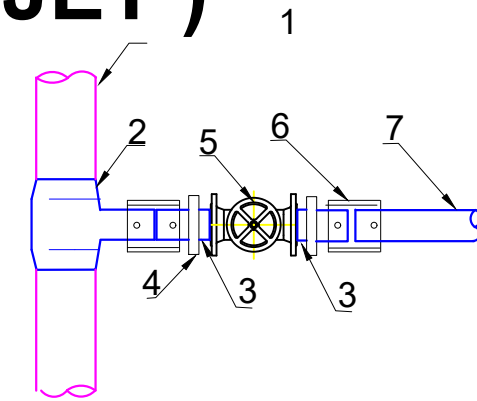
Baza materiale

1	Tub. PE100PN10 Dj-110 mm
2	Stafe PE e/f Dn-(110x50)mm
3	Adaptor Dn-50mm
4	Fllanxhe Adaptor Dn-50mm
5	Saracineske Dn-50mm
6	Manikote e/f Dn-50mm
7	Tub. PE100PN10 Dj-50mm



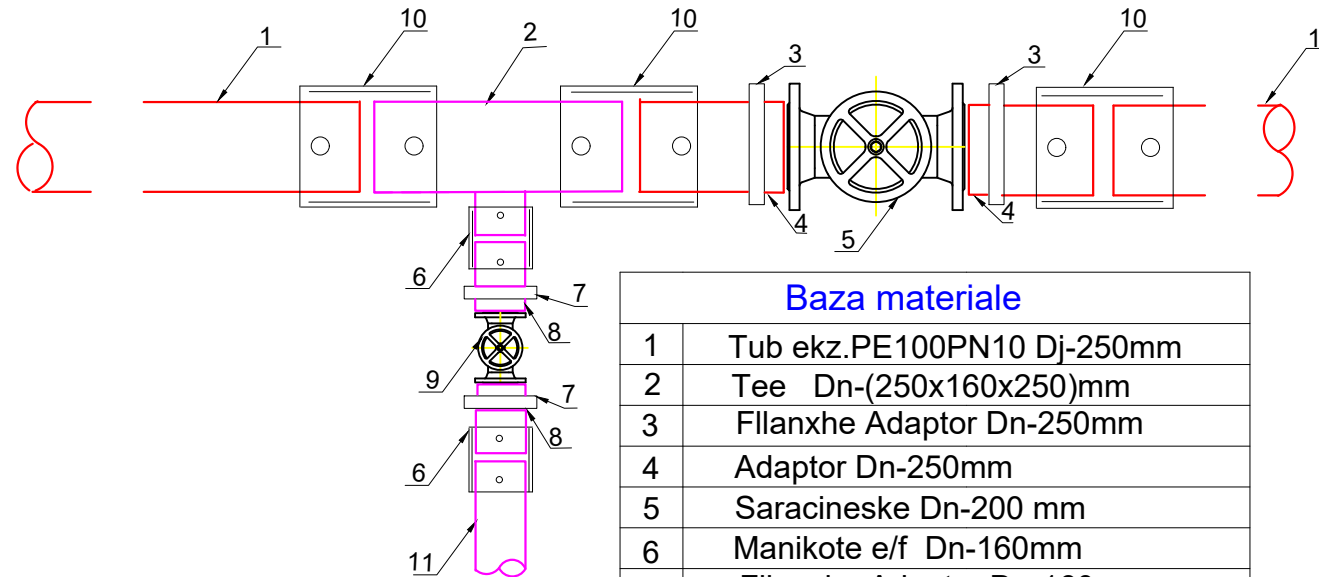
Baza materiale

1	Tub. PE100PN10 Dj-75 mm
2	Stafe PE e/f Dn-(75x63)mm
3	Adaptor Dn-63mm
4	Fllanxhe Adaptor Dn-63mm
5	Saracineske Dn-50mm
6	Manikote e/f Dn-63mm
7	Tub. PE100PN10 Dj-63mm



Baza materiale

1	Tub. PE100PN10 Dj-750 mm
2	Stafe PE e/f Dn-(75x50)mm
3	Adaptor Dn-50mm
4	Fllanxhe Adaptor Dn-50mm
5	Saracineske Dn-50mm
6	Manikote e/f Dn-50mm
7	Tub. PE100PN10 Dj-50mm

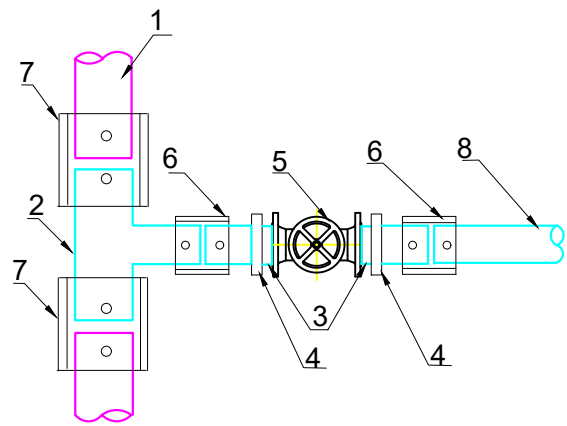


Baza materiale

1	Tub ekz. PE100PN10 Dj-250mm
2	Tee Dn-(250x160x250)mm
3	Fllanxhe Adaptor Dn-250mm
4	Adaptor Dn-250mm
5	Saracineske Dn-200 mm
6	Manikote e/f Dn-160mm
7	Fllanxhe Adaptor Dn-160mm
8	Adaptor Dn-160mm
9	Saracineske Dn-100 mm
10	Manikote e/f Dn-250mm
11	Tub. PE100PN10 Dj-160mm

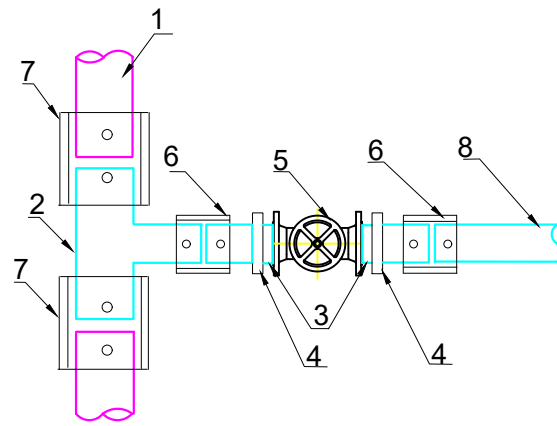
Investitor : SH.A UJESJELLES KANALIZIME DIBER	Objekti: FURNIZIMI ME UJE PER FSHATIN BREZHDAN DHE USHTELENXE (Faza II)				
	Emertimi i fletes : <i>DETAJE TIP</i>				
EIDON-GRUP			Inxh. Elidon KALLAVERJA	K-1572/4	Nr. 14
			Inxh. Irakli DINAJ	GJ-0576/2	
			Inxh. Edmond ÇIPA	HT-0196/3	
			Inxh. Bashkim KANINA	T-0566/1	
			Inxh. Albert MILUSHI	K-2566	

DETAJE NE PIKAT E LIDHJES (NYJET)



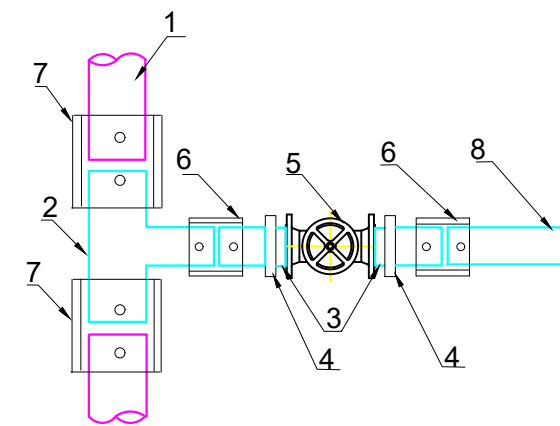
Baza materiale

1	Tub. PE100PN10 Dj-160 mm
2	Tee Dn-(160x110x160)mm
3	Adaptor Dn-110mm
4	Fllanxhe Adaptor Dn-110mm
5	Saracineske Dn-100 mm
6	Manikote e/f Dn-110 mm
7	Manikote e/f Dn-160 mm
8	Tub. PE100PN10 Dj-110mm



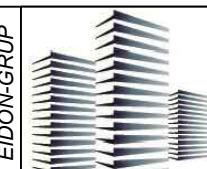

Baza materiale

1	Tub. PE100PN10 Dj-110 mm
2	Tee Dn-(110x90x110)mm
3	Adaptor Dn-90mm
4	Fllanxhe Adaptor Dn-90mm
5	Saracineske Dn-100 mm
6	Manikote e/f Dn-90 mm
7	Manikote e/f Dn-110 mm
8	Tub. PE100PN10 Dj-90mm

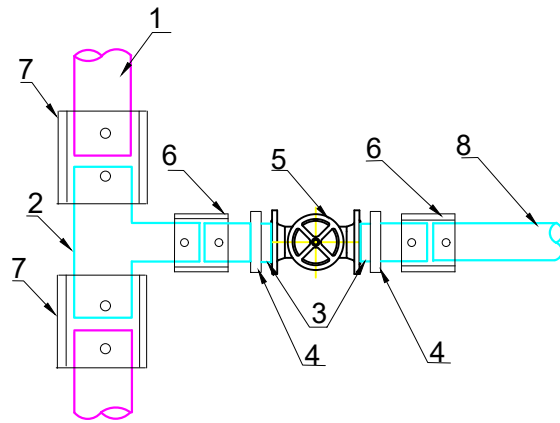


Baza materiale

1	Tub. PE100PN10 Dj-90 mm
2	Tee Dn-(90x75x90)mm
3	Adaptor Dn-75mm
4	Fllanxhe Adaptor Dn-75mm
5	Saracineske Dn-50 mm
6	Manikote e/f Dn-75 mm
7	Manikote e/f Dn-90 mm
8	Tub. PE100PN10 Dj-75mm

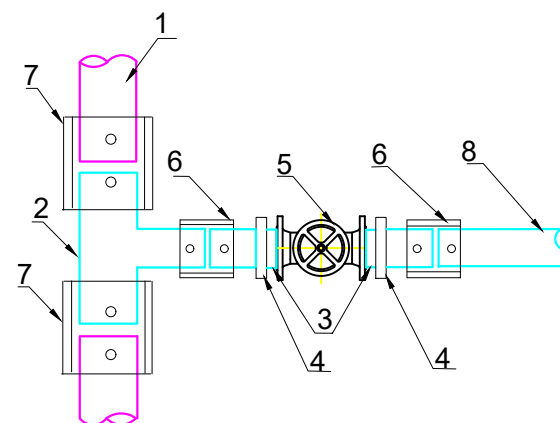
Investitor : SH.A UJESJELLES KANALIZIME DIBER	Objekti: FURNIZIMI ME UJE PER FSHATIN BREZHDAN DHE USHTELENXE (Faza II)			
	Emertimi i fletes : <i>DETAJE TIP</i>			
EIDON-GRUP 		Inxh. Elidon KALLAVERJA	K-1572/4	Nr. 15
		Inxh. Irakli DINAJ	GJ-0576/2	
		Inxh. Edmond ÇIPA	HT-0196/3	
		Inxh. Bashkim KANINA	T-0566/1	
		Inxh. Albert MILUSHI	K-2566	

DETAJE NE PIKAT E LIDHJES (NYJET)



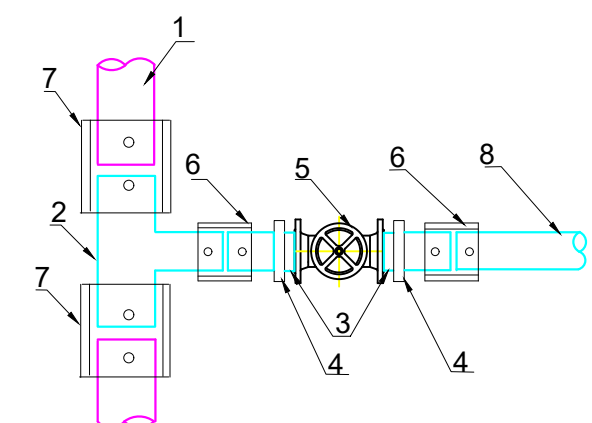
Baza materiale

1	Tub. PE100PN10 Dj-160 mm
2	Tee Dn-(160x160x160)mm
3	Adaptor Dn-160mm
4	Fllanxhe Adaptor Dn-160mm
5	Saracineske Dn-150 mm
6	Manikote e/f Dn-160 mm
7	Manikote e/f Dn-160 mm
8	Tub. PE100PN10 Dj-160mm




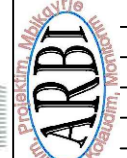
Baza materiale

1	Tub. PE100PN10 Dj-110 mm
2	Tee Dn-(110x75x110)mm
3	Adaptor Dn-75mm
4	Fllanxhe Adaptor Dn-75mm
5	Saracineske Dn-50 mm
6	Manikote e/f Dn-75 mm
7	Manikote e/f Dn-110 mm
8	Tub. PE100PN10 Dj-75mm

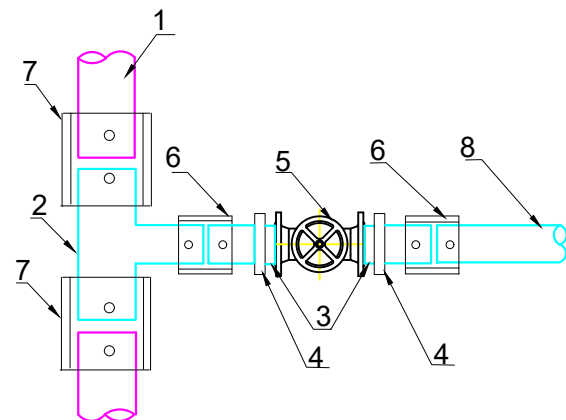


Baza materiale

1	Tub. PE100PN10 Dj-90 mm
2	Tee Dn-(90x63x90)mm
3	Adaptor Dn-63mm
4	Fllanxhe Adaptor Dn-63mm
5	Saracineske Dn-50 mm
6	Manikote e/f Dn-63 mm
7	Manikote e/f Dn-90 mm
8	Tub. PE100PN10 Dj-63mm

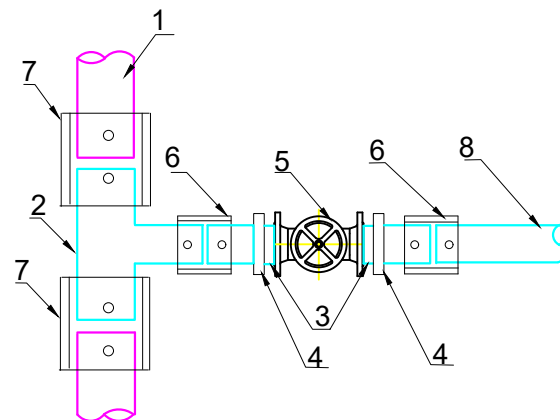
Investitor : SH.A UJESJELLES KANALIZIME DIBER	Objekti: FURNIZIMI ME UJE PER FSHATIN BREZHDAN DHE USHTELENXE (Faza II)			
	Emertimi i fletes : <i>DETAJE TIP</i>			
EIDON-GRUP 		Inxh. Elidon KALLAVERJA	K-1572/4	Nr. 16
		Inxh. Irakli DINAJ	GJ-0576/2	
		Inxh. Edmond ÇIPA	HT-0196/3	
		Inxh. Bashkim KANINA	T-0566/1	
		Inxh. Albert MILUSHI	K-2566	

DETAJE NE PIKAT E LIDHJES (NYJET)



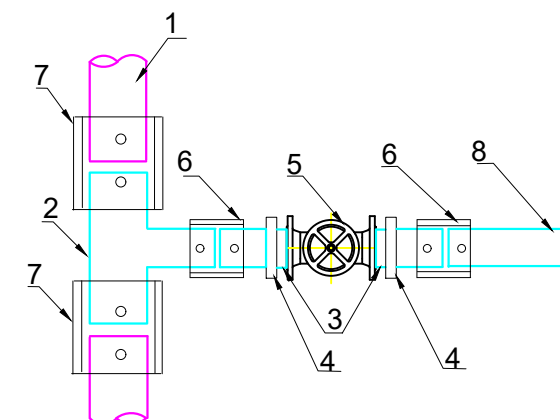
Baza materiale

1	Tub. PE100PN10 Dj-110 mm
2	Tee Dn-(110x63x110)mm
3	Adaptor Dn-63mm
4	Fllanxhe Adaptor Dn-63mm
5	Saracineske Dn-50 mm
6	Manikote e/f Dn-63 mm
7	Manikote e/f Dn-110 mm
8	Tub. PE100PN10 Dj-63mm




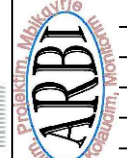
Baza materiale

1	Tub. PE100PN10 Dj-110 mm
2	Tee Dn-(110x50x110)mm
3	Adaptor Dn-50mm
4	Fllanxhe Adaptor Dn-50mm
5	Saracineske Dn-50 mm
6	Manikote e/f Dn-50 mm
7	Manikote e/f Dn-110 mm
8	Tub. PE100PN10 Dj-50mm

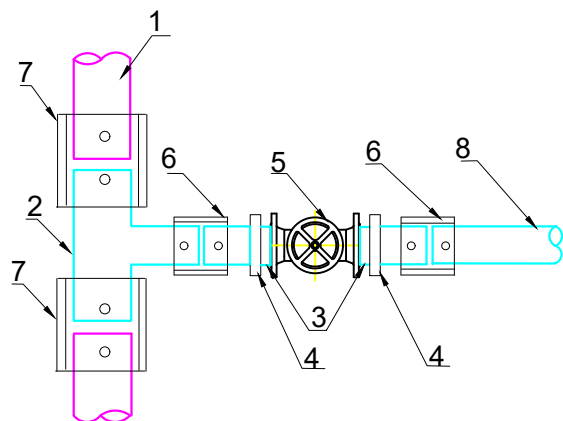


Baza materiale

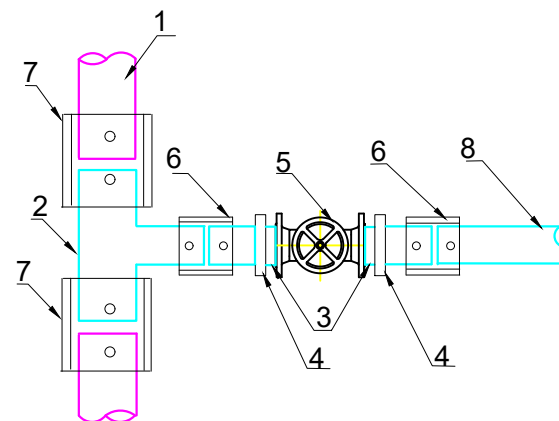
1	Tub. PE100PN10 Dj-90 mm
2	Tee Dn-(90x50x90)mm
3	Adaptor Dn-50mm
4	Fllanxhe Adaptor Dn-50mm
5	Saracineske Dn-50 mm
6	Manikote e/f Dn-50 mm
7	Manikote e/f Dn-90 mm
8	Tub. PE100PN10 Dj-50mm

Investitor : SH.A UJESJELLES KANALIZIME DIBER	Objekti: FURNIZIMI ME UJE PER FSHATIN BREZHDAN DHE USHTELENXE (Faza II)			
	Emertimi i fletes : DETAJE TIP			
EIDON-GRUP 		Inxh. Elidon KALLAVERJA	K-1572/4	Nr. 17
		Inxh. Irakli DINAJ	GJ-0576/2	
		Inxh. Edmond ÇIPA	HT-0196/3	
		Inxh. Bashkim KANINA	T-0566/1	
		Inxh. Albert MILUSHI	K-2566	



DETAJE NE PIKAT E LIDHJES (NYJET)



Baza materiale	
1	Tub. PE100PN10 Dj-75 mm
2	Tee Dn-(75x63x75)mm
3	Adaptor Dn-63mm
4	Fllanxe Adaptor Dn-63mm
5	Saracineske Dn-50 mm
6	Manikote e/f Dn-63 mm
7	Manikote e/f Dn-75 mm
8	Tub. PE100PN10 Dj-63mm



Baza materiale	
1	Tub. PE100PN10 Dj-75 mm
2	Tee Dn-(75x50x75)mm
3	Adaptor Dn-50mm
4	Fllanxe Adaptor Dn-50mm
5	Saracineske Dn-50 mm
6	Manikote e/f Dn-50 mm
7	Manikote e/f Dn-75 mm
8	Tub. PE100PN10 Dj-50mm

Investitor : SH.A UJESJELLES KANALIZIME DIBER	Objekti: FURNIZIMI ME UJE PER FSHATIN BREZHDAN DHE USHTELENXE (Faza II)			
	Emertimi i fletes : <i>DETAJE TIP</i>			
EIDON-GRUP 		Inxh. Elidon KALLAVERJA	K-1572/4	Nr. 18
		Inxh. Irakli DINAJ	GJ-0576/2	
		Inxh. Edmond ÇIPA	HT-0196/3	
		Inxh. Bashkim KANINA	T-0566/1	
		Inxh. Albert MILUSHI	K-2566	