




BASHKIA MAT

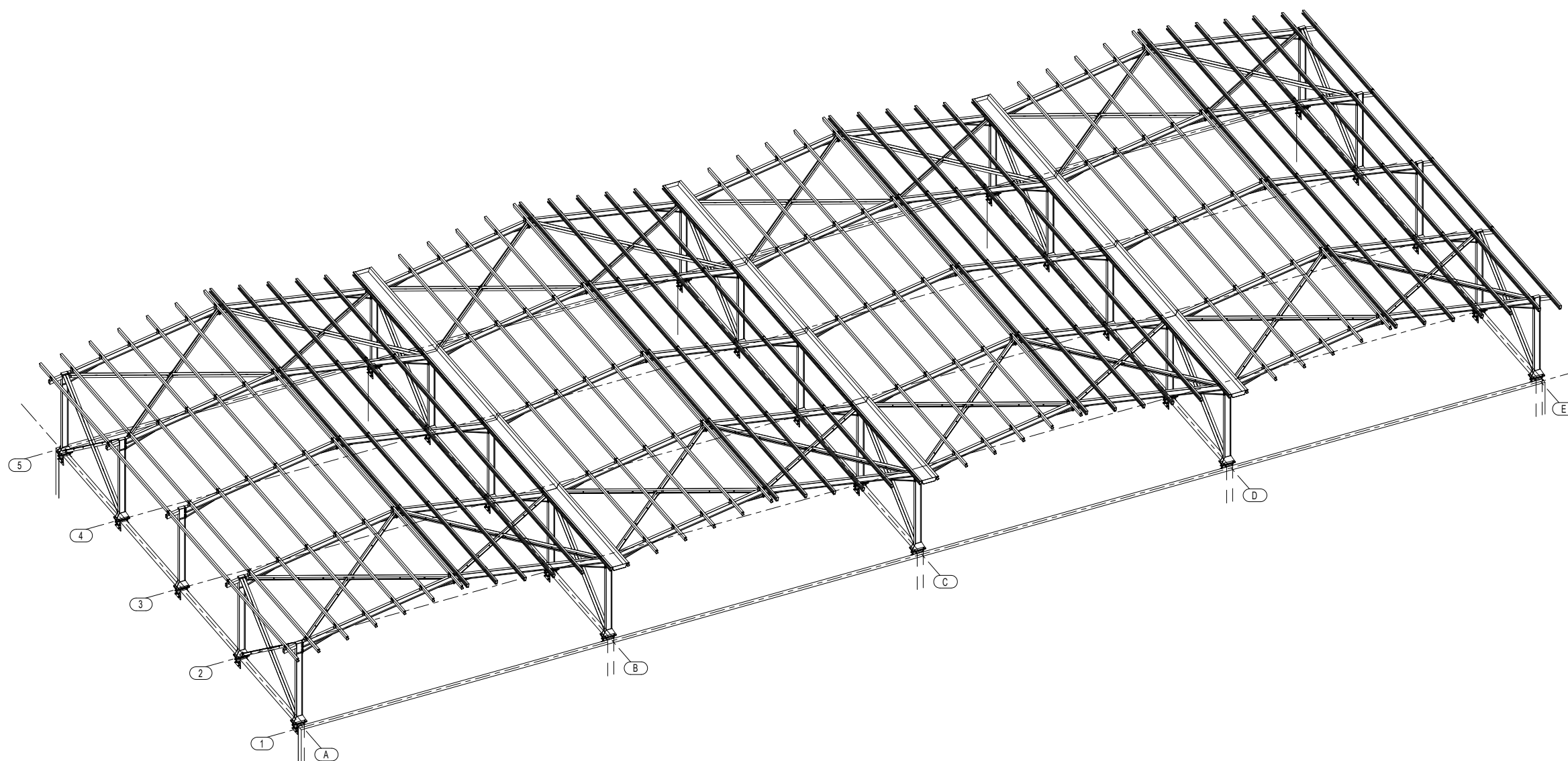
PROJEKT ZBATIMI

IMPIANTI I TRAJTIMIT TE UJERAVE TE PERDORURA ,BURREL

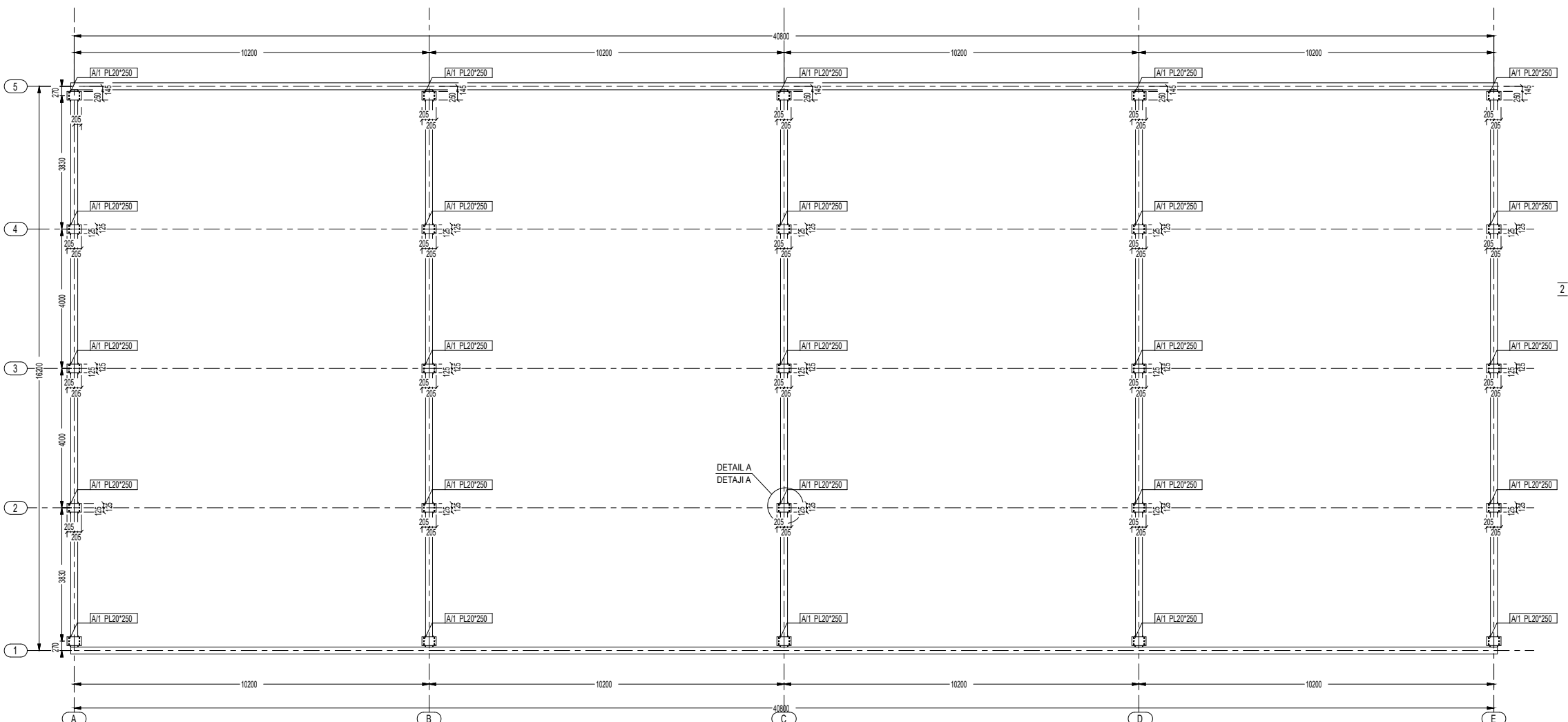
MBULESA METALIKE E VASKAVE TE THARJES SE LLUMIT

 POROSITESI : BASHKIA MAT Objekti: "STUDIM PROJEKTIM I RRJETIT TE KANALIZIMEVE NE ZONAT PERIFERIKE TE QYTETIT BURREL"	Emertimi: HOROGRAFIA			Projektues						SHKALLA	FLETA
	"Arabel - Studio" Sh.p.k 	"Infrakonsult " Sh.p.k 	"Net-Group " Sh.p.k 	Nd.Shemsi Sulejmani	Nd.Illirjan Kokalari	Hidr.Lujeta Koci	Ark.Irda Troli	Elek.Allin Allkaj	Gjeoteknik. Artjon Jani	1- 500	1- 01
			Nd.Lefter Shemblltraku	Hidr.Arben Prendi	Gjeod.Myzafere Kalabaku	Ark.Diana Mitrushi	Mek.Bujar Struga	Gjeolog. Besnik Hykaj	Mat 2021		
			Nd.Sokol Metoja	Hidr.Redil Struga	Gjeod.Iv Beqari	Ark.Rigert Hyra	Mek.Bujar Meraj				
			Nd.Ermal Spahiu	Hidr.Hajredin Murgu	Gjeod.Shajponja Civiçi	Elek.Burhan Demberi	Mek. Gjergji Kotori				

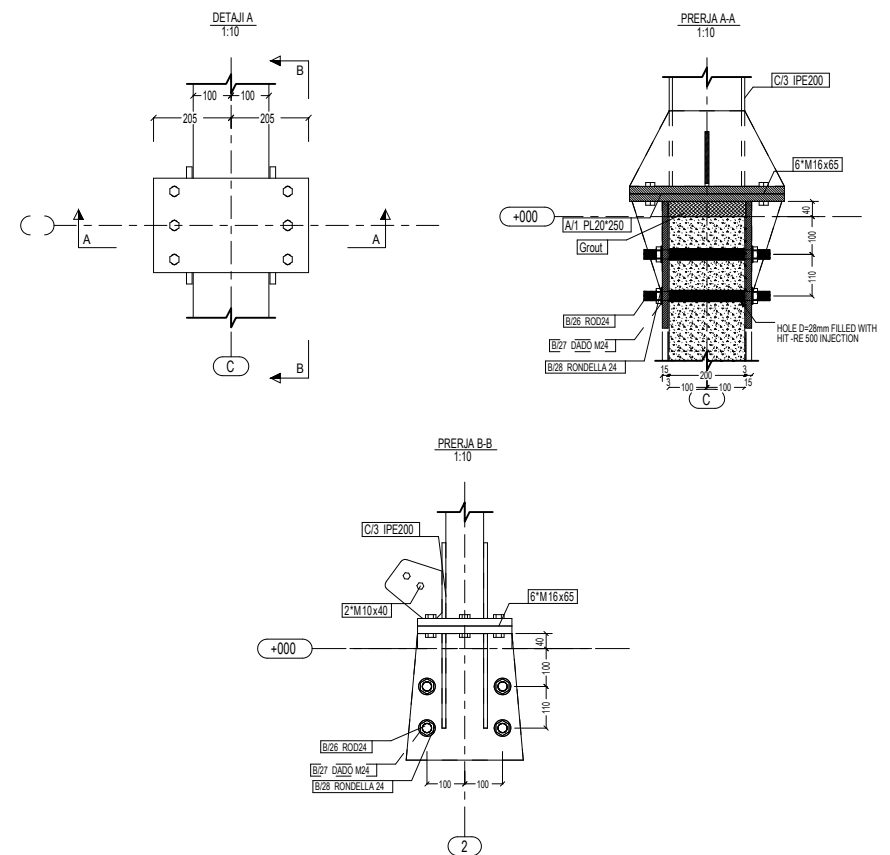
Pamje 3 Dimensionale e Tendes Metalike



PLANI I PIKETIMIT TE PLLAKAVE TE MBERTHIMIT TE KOLONAVE METALIKE SC 1/75



DETAJI I KAPJES SE KOLONES METALIKE ME MURIN B/A



Assemb.	Part	Q.ty	Profile	Material	Length. (mm)	Weight (kg) per piece	Weight(kg) tot.
A/1		25				41.32	1033.06
	1001	4	PL10*80	S235JR	250.00	0.79	78.50
	1003	2	PL15*309	S235JR	359.00	11.04	552.25
	1006	1	PL20*250	S235JR	410.00	16.09	402.31
A/2		10				4.07	40.65
	1010	1	PL10*322	S235JR	329.00	4.07	40.65
A/3		16				5.23	83.76
	1011	1	PL10*353	S235JR	366.00	5.23	83.76
A/5		6				0.65	3.91
	1021	1	PL1.5*128	S235JR	469.00	0.65	3.91
A/6		272				0.38	102.49
	1022	1	PL10*60	S235JR	80.00	0.38	102.49
B/1		8				138.52	1108.18
	1004	1	PL10*139	S235JR	199.00	1.32	10.59
	1014	1	PL10*138	S235JR	171.00	1.25	10.04
	1016	1	PL15*100	S235JR	390.00	4.59	36.74
	1017	1	PL15*100	S235JR	310.00	3.65	29.20
	1018	6	PL5*120	S235JR	120.00	0.57	27.13
	1019	6	PL5*60	S235JR	120.00	0.14	6.78
	b/1	1	IPE180	S235JR	5081.00	95.32	762.56
	b/2	1	IPE180	S235JR	1000.00	18.76	150.09
	b/3	1	IPE180	S235JR	500.00	9.38	75.05
B/2		8				138.52	1108.18
	1004	1	PL10*139	S235JR	199.00	1.32	10.59
	1014	1	PL10*138	S235JR	171.00	1.25	10.04
	1016	1	PL15*100	S235JR	390.00	4.59	36.74
	1017	1	PL15*100	S235JR	310.00	3.65	29.20
	1018	6	PL5*120	S235JR	120.00	0.57	27.13
	1019	6	PL5*60	S235JR	120.00	0.14	6.78
	b/1	1	IPE180	S235JR	5081.00	95.32	762.56
	b/2	1	IPE180	S235JR	1000.00	18.76	150.09
	b/3	1	IPE180	S235JR	500.00	9.38	75.05

B/3		8				139.37	1114.96
	1005	1	PL10*152	S235JR	217.00	1.84	14.72
	1015	1	PL10*175	S235JR	163.00	1.59	12.69
	1016	1	PL15*100	S235JR	390.00	4.59	36.74
	1017	1	PL15*100	S235JR	310.00	3.65	29.20
	1018	6	PL5*120	S235JR	120.00	0.57	27.13
	1019	6	PL5*60	S235JR	120.00	0.14	6.78
	b/1	1	IPE180	S235JR	5081.00	95.32	762.56
	b/2	1	IPE180	S235JR	1000.00	18.76	150.09
	b/3	1	IPE180	S235JR	500.00	9.38	75.05
B/4		8				139.37	1114.96
	1005	1	PL10*152	S235JR	217.00	1.84	14.72
	1015	1	PL10*175	S235JR	163.00	1.59	12.69
	1016	1	PL15*100	S235JR	390.00	4.59	36.74
	1017	1	PL15*100	S235JR	310.00	3.65	29.20
	1018	6	PL5*120	S235JR	120.00	0.57	27.13
	1019	6	PL5*60	S235JR	120.00	0.14	6.78
	b/1	1	IPE180	S235JR	5081.00	95.32	762.56
	b/2	1	IPE180	S235JR	1000.00	18.76	150.09
	b/3	1	IPE180	S235JR	500.00	9.38	75.05
B/5		8				135.94	1087.55
	1016	1	PL15*100	S235JR	390.00	4.59	36.74
	1017	1	PL15*100	S235JR	310.00	3.65	29.20
	1018	6	PL5*120	S235JR	120.00	0.57	27.13
	1019	6	PL5*60	S235JR	120.00	0.14	6.78
	b/1	1	IPE180	S235JR	5081.00	95.32	762.56
	b/2	1	IPE180	S235JR	1000.00	18.76	150.09
	b/3	1	IPE180	S235JR	500.00	9.38	75.05
B/6		6				42.96	257.75
	b/22	1	BL4600*1.5	S235JR	793.00	42.96	257.75
B/7		6				38.29	229.73
	b/23	1	BL4100*1.5	S235JR	793.00	38.29	229.73
B/8		16				44.42	710.68
	b/7	1	L80*6	S235JR	6124.00	44.42	710.68
B/9		16				44.42	710.68
	b/8	1	L80*6	S235JR	6124.00	44.42	710.68
B/10		16				21.95	351.21
	b/9	1	L80*6	S235JR	3032.00	21.95	351.21
B/11		16				21.79	348.67
	b/10	1	L80*6	S235JR	3021.00	21.79	348.67
B/12		100				13.83	1383.36
	b/5	1	CC120-1.5-30	S235JR	3996.00	13.83	1383.36

POROSITESI : BASHKIA MAT

Objekti: "STUDIM PROJEKTIM I RRJETIT TE KANALIZIMEVE NE ZONAT PERIFERIKE TE QYTETIT BURREL"

Emertimi: Plani i piketimit te pllakave te mberthimit te kolonave metalike

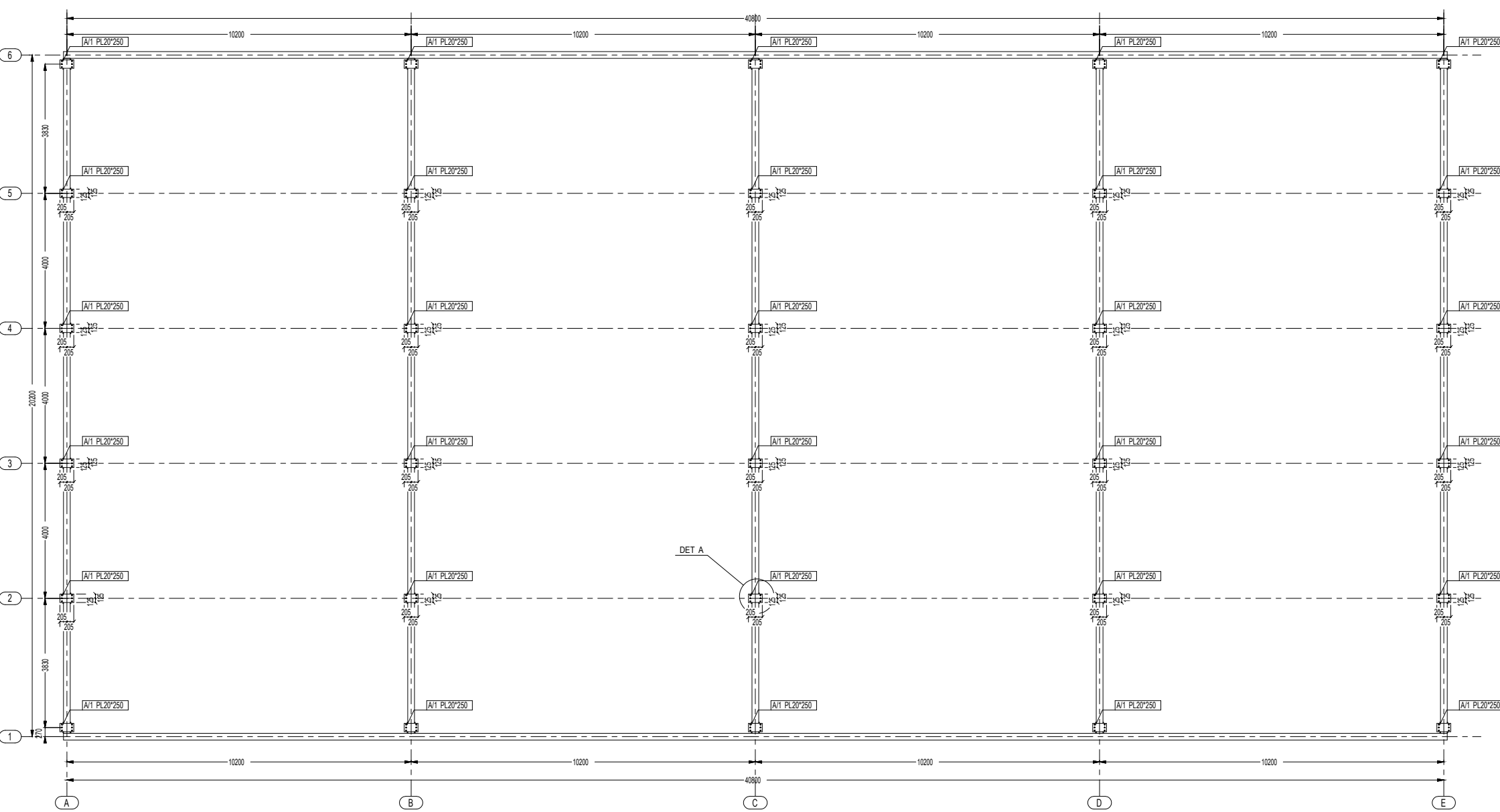
"Arabel - Studio" Sh.p.k. "InfraKonsult" Sh.p.k. "Net-Group" Sh.p.k.

Projektues

Nd.Shemsi Sulejmani	Nd.Ilirjan Kokalari	Hidr.Luljeta Koci	Ark.Irida Troti	Elek.Altin Alikaj	Gjeoteknik. Artjon Jani
Nd.Lefter Shembitraku	Hidr.Arben Prendi	Gjeod.Myzaferre Kallabaku	Ark.Diana Mitrushi	Mek.Bujar Struga	Gjeolog. Besnik Hykaj
Nd.Sokol Metoja	Hidr.Redi Struga	Gjeod.Iv Beqari	Ark.Riget Hyra	Mek.Bujar Meraj	
Nd.Ermal Spahiu	Hidr.Hajredin Murgu	Gjeod.Shqiponja Civici	Elek.Burhan Demberi	Mek. Gjergji Kotori	

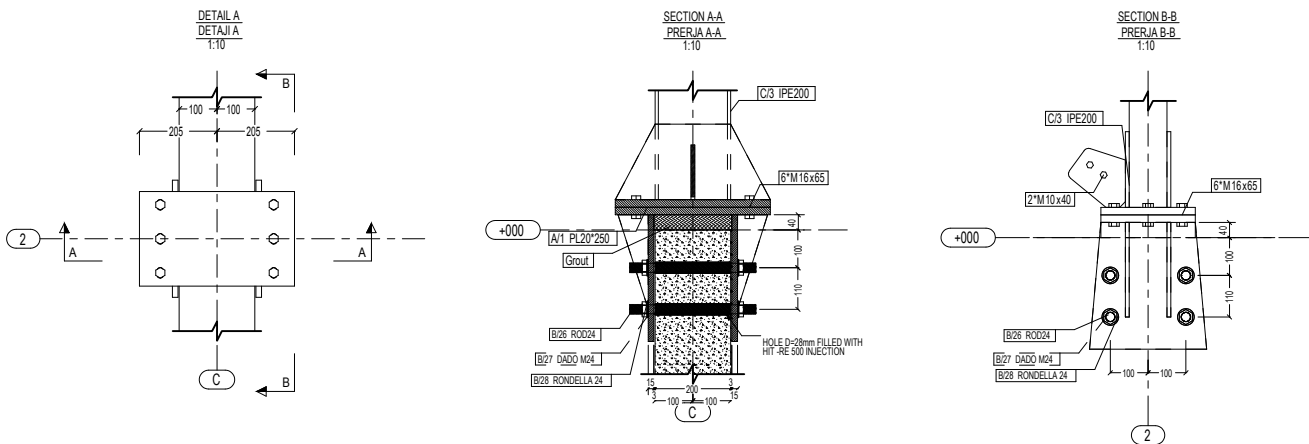
SHKALLA	FLETA
1- 500	1 - 01
Mat 2021	Format A3

PLANI I PIKETIMIT TE PLLAKAVE TE MBERTHIMIT TE KOLONAVE METALIKE SC 1/75



Assemb.	Part	Q.t.y.	Profile	Material	Length (mm)	Weight(kg) per piece	Weight (kg) tot.
A/1		30				41.32	1239.67
	1001	4	PL10*80	S235JR	250.00	0.79	94.20
	1003	2	PL15*309	S235JR	359.00	11.04	662.70
	1006	1	PL20*250	S235JR	410.00	16.09	482.77
A/2		10				4.07	40.65
	1010	1	PL10*322	S235JR	329.00	4.07	40.65
A/3		16				5.23	83.76
	1011	1	PL10*353	S235JR	366.00	5.23	83.76
A/5		6				0.65	3.91
	1021	1	PL1.5*128	S235JR	469.00	0.65	3.91
A/6		272				0.38	102.49
	1022	1	PL10*60	S235JR	80.00	0.38	102.49
B/1		8				138.52	1108.18
	1004	1	PL10*139	S235JR	199.00	1.32	10.59
	1014	1	PL10*138	S235JR	171.00	1.25	10.04
	1016	1	PL15*100	S235JR	390.00	4.59	36.74
	1017	1	PL15*100	S235JR	310.00	3.65	29.20
	1018	6	PL5*120	S235JR	120.00	0.57	27.13
	1019	6	PL5*60	S235JR	120.00	0.14	6.78
	b/1	1	IPE180	S235JR	5081.00	95.32	762.56
	b/2	1	IPE180	S235JR	1000.00	18.76	150.09
	b/3	1	IPE180	S235JR	500.00	9.38	75.05
B/2		8				138.52	1108.18
	1004	1	PL10*139	S235JR	199.00	1.32	10.59
	1014	1	PL10*138	S235JR	171.00	1.25	10.04
	1016	1	PL15*100	S235JR	390.00	4.59	36.74
	1017	1	PL15*100	S235JR	310.00	3.65	29.20
	1018	6	PL5*120	S235JR	120.00	0.57	27.13
	1019	6	PL5*60	S235JR	120.00	0.14	6.78
	b/1	1	IPE180	S235JR	5081.00	95.32	762.56
	b/2	1	IPE180	S235JR	1000.00	18.76	150.09
	b/3	1	IPE180	S235JR	500.00	9.38	75.05
B/3		8				139.37	1114.96
	1005	1	PL10*152	S235JR	217.00	1.84	14.72
	1015	1	PL10*175	S235JR	163.00	1.59	12.69
	1016	1	PL15*100	S235JR	390.00	4.59	36.74
	1017	1	PL15*100	S235JR	310.00	3.65	29.20
	1018	6	PL5*120	S235JR	120.00	0.57	27.13
	1019	6	PL5*60	S235JR	120.00	0.14	6.78
	b/1	1	IPE180	S235JR	5081.00	95.32	762.56
	b/2	1	IPE180	S235JR	1000.00	18.76	150.09
	b/3	1	IPE180	S235JR	500.00	9.38	75.05
B/4		8				139.37	1114.96
	1005	1	PL10*152	S235JR	217.00	1.84	14.72
	1015	1	PL10*175	S235JR	163.00	1.59	12.69
	1016	1	PL15*100	S235JR	390.00	4.59	36.74
	1017	1	PL15*100	S235JR	310.00	3.65	29.20
	1018	6	PL5*120	S235JR	120.00	0.57	27.13
	1019	6	PL5*60	S235JR	120.00	0.14	6.78
	b/1	1	IPE180	S235JR	5081.00	95.32	762.56
	b/2	1	IPE180	S235JR	1000.00	18.76	150.09
	b/3	1	IPE180	S235JR	500.00	9.38	75.05
B/5		16				135.94	2175.10
	1016	1	PL15*100	S235JR	390.00	4.59	73.48
	1017	1	PL15*100	S235JR	310.00	3.65	58.40
	1018	6	PL5*120	S235JR	120.00	0.57	54.26
	1019	6	PL5*60	S235JR	120.00	0.14	13.56
	b/1	1	IPE180	S235JR	5081.00	95.32	1525.12
	b/2	1	IPE180	S235JR	1000.00	18.76	300.18
	b/3	1	IPE180	S235JR	500.00	9.38	150.09
B/6		6				42.96	257.75
	b/22	1	BL4600*1.5	S235JR	793.00	42.96	257.75
B/7		9				38.29	344.60
	b/23	1	BL4100*1.5	S235JR	793.00	38.29	344.60
B/8		16				44.42	710.68
	b/7	1	L80*6	S235JR	6124.00	44.42	710.68
B/9		16				44.42	710.68
	b/8	1	L80*6	S235JR	6124.00	44.42	710.68
B/10		16				21.95	351.21
	b/9	1	L80*6	S235JR	3032.00	21.95	351.21
B/11		16				21.79	348.67
	b/10	1	L80*6	S235JR	3021.00	21.79	348.67
B/12		150				13.83	2075.03
	b/5	1	CC120-1.5-30	S235JR	3996.00	13.83	2075.03

DETAJI I KAPJES SE KOLONES METALIKE ME MURIN B/A



POROSITESI : BASHKIA MAT

Objekti: "STUDIM PROJEKTIM I RRJETIT TE KANALIZIMEVE NE ZONAT PERIFERIKE TE QYTETIT BURREL"

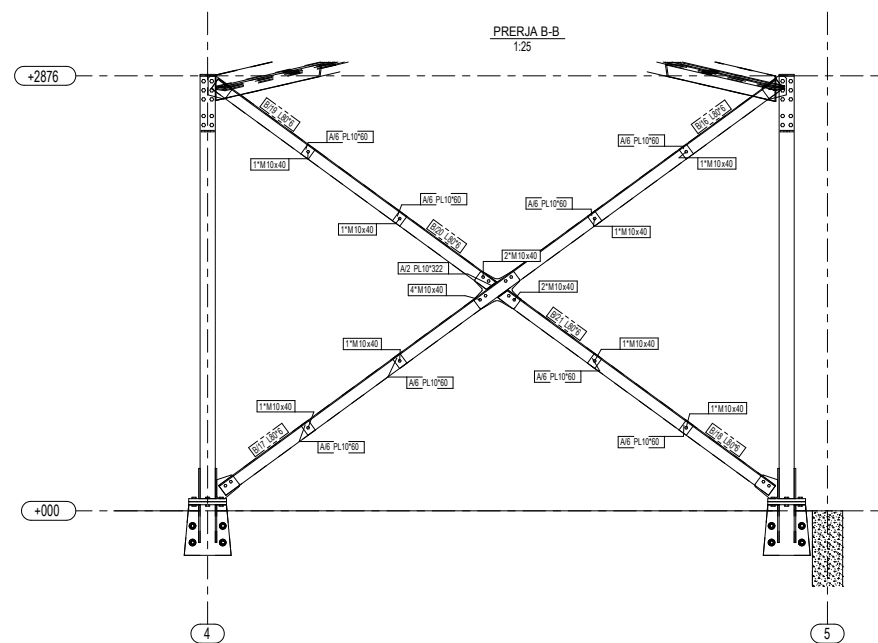
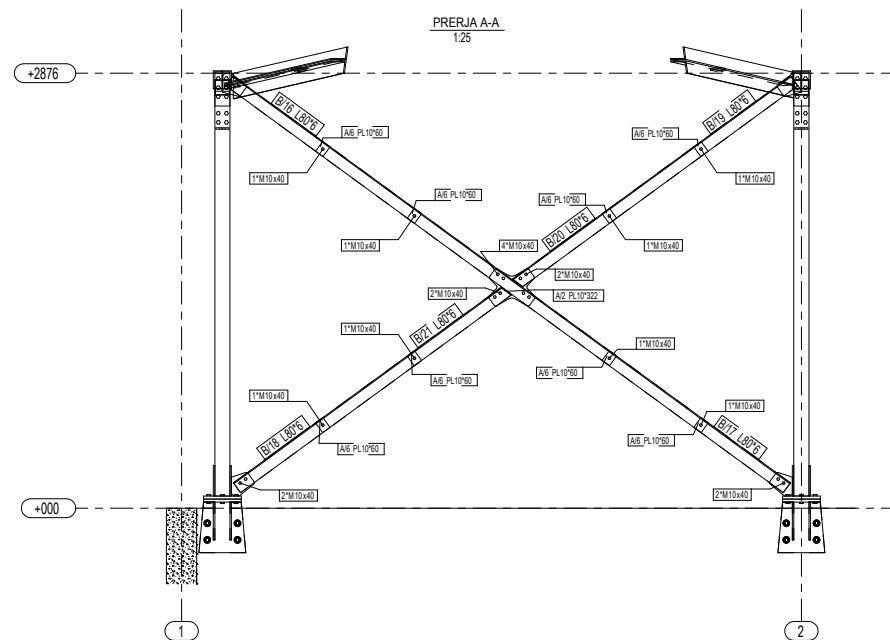
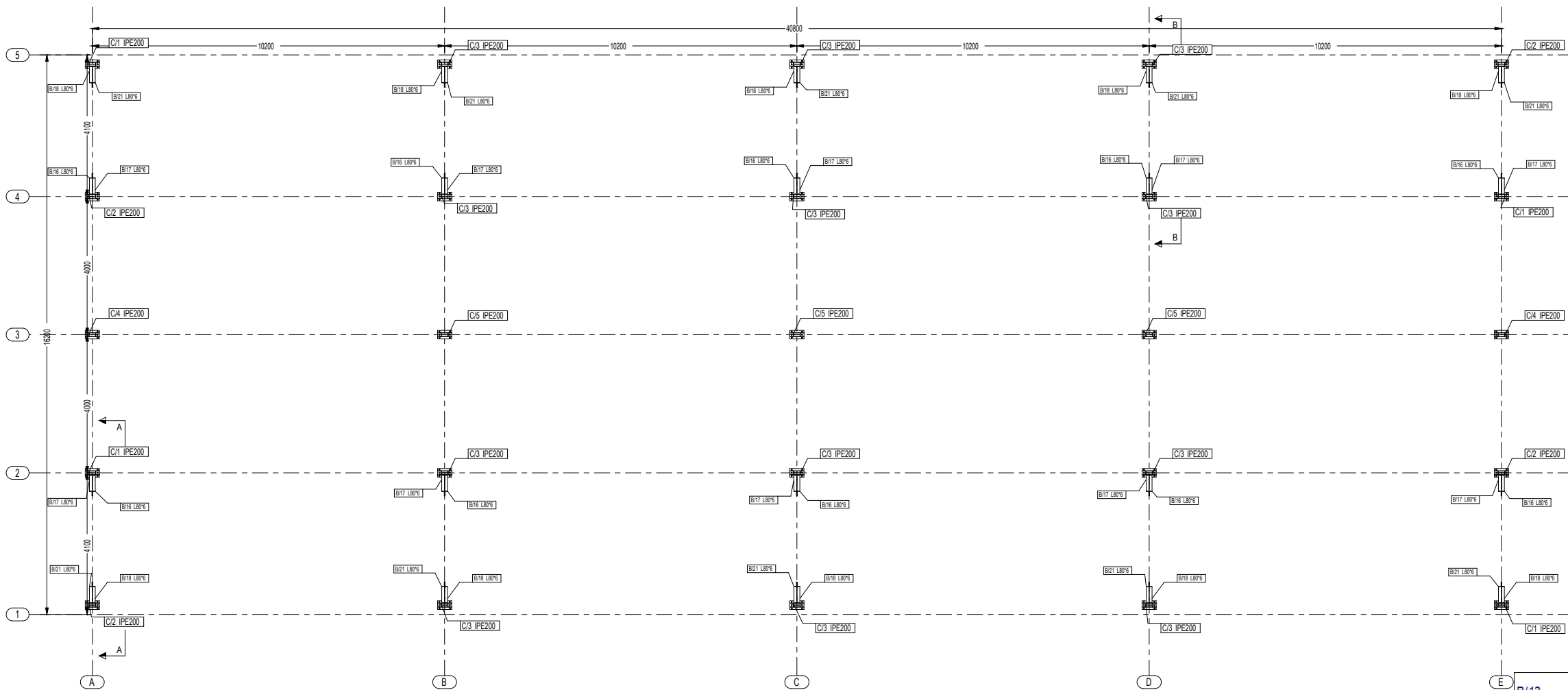
Emertimi: Plani i piketimit te pllakave te mberthimit te kolonave metalike

"Arabel - Studio" Sh.p.k. "InfraKonsult" Sh.p.k. "Net-Group" Sh.p.k.

Projektues

Nd.Shemsi Sulejmani	Nd.Illirjan Kokalari	Hidr.Luljeta Koci	Ark.Irida Troti	Elek.Altin Aikaj	Gjeoteknik. Artjon Jani
Nd.Lefter Shembitraku	Hidr.Arben Prendi	Gjeod.Myzafere Kallabaku	Ark.Diana Mitrushi	Mek.Bujar Struga	Gjeolog. Besnik Hykaj
Nd.Sokol Metaja	Hidr.Redri Struga	Gjeod.Iv Beqari	Ark.Riget Hyra	Mek.Bujar Meraj	
Nd.Ermal Spahiu	Hidr.Hajredin Murgu	Gjeod.Shqiponja Civici	Elek.Burhan Demberi	Mek. Gjergji Kotori	

SHKALLA	FLETA
1- 500	1 - 01
Mat 2021	Format A3



Code	Quantity	Material	Unit	Price	Total
B/13	100	CC120-1.5-30	S235JR	4598.00	15.92
B/14	16	L80*6	S235JR	3021.00	21.79
B/15	16	L80*6	S235JR	3032.00	21.95
B/16	10	L80*6	S235JR	4564.00	33.10
B/17	10	L80*6	S235JR	4564.00	33.10
B/18	10	L80*6	S235JR	2217.00	15.95
B/19	10	L80*6	S235JR	2278.00	16.47
B/20	10	L80*6	S235JR	2278.00	16.47
B/21	10	L80*6	S235JR	2217.00	15.95
B/26	100	ROD24	class 5.8	333.00	1.13
B/27	200	DADO M24	class 5.8	13.00	0.06
B/28	200	RONDELLA 24	class 5.8	3.00	0.02
C/1	4	PL20*250	S235JR	410.00	99.15
	1007	PL10*40	S235JR	183.00	0.57
	1008	PL10*100	S235JR	192.00	1.50
	1009	PL10*200	S235JR	410.00	4.79
	1012	PL10*150	S235JR	156.00	1.29
	1013	PL10*131	S235JR	172.00	1.33
	1018	PL5*120	S235JR	120.00	0.57
	1019	PL5*60	S235JR	120.00	0.14
	b/4	CFRHS100X100	S235JR	424.00	4.98
	c/2	IPE200	S235JR	2796.00	62.54

POROSITESI : BASHKIA MAT
 Objekti: "STUDIM PROJEKTIM I RRJETIT TE KANALIZIMEVE NE ZONAT PERIFERIKE TE QYTETIT BURREL"

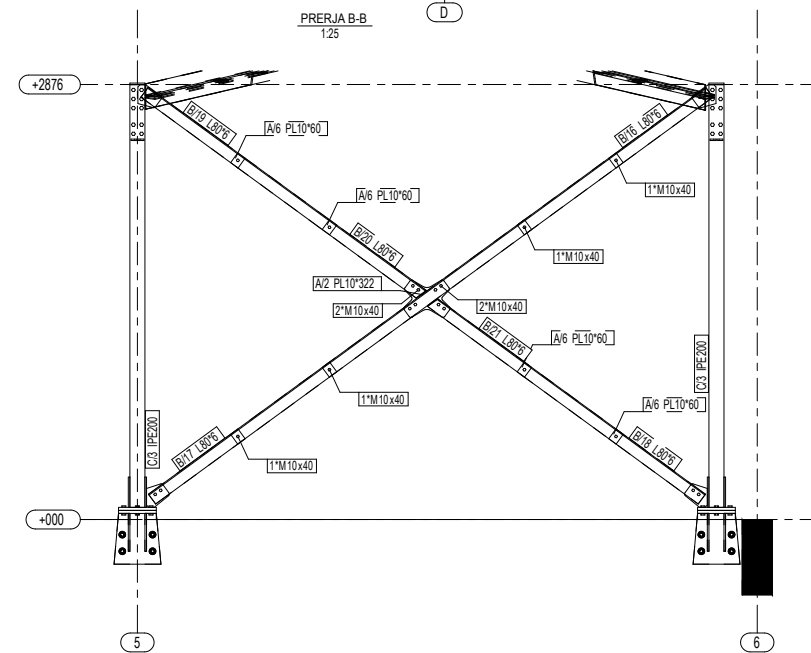
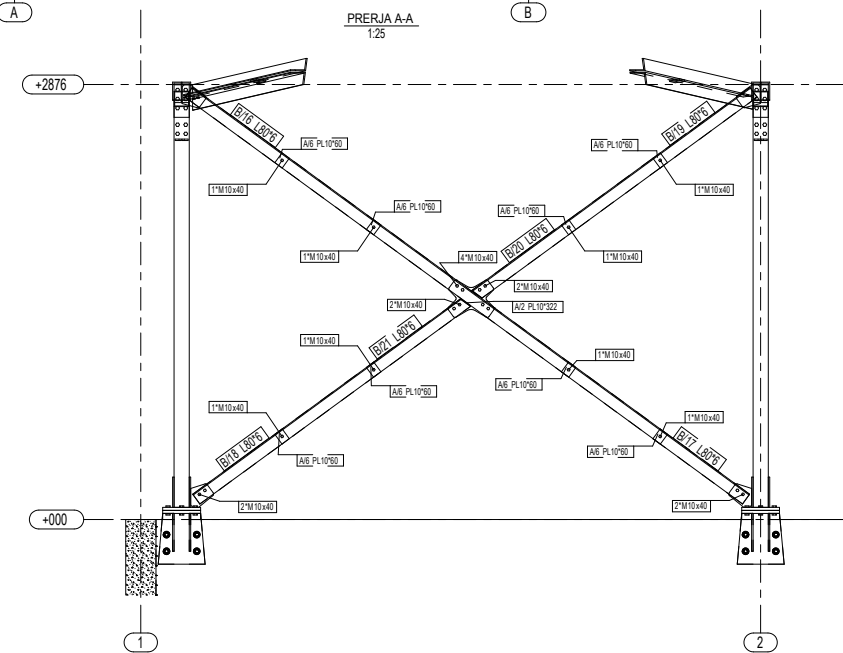
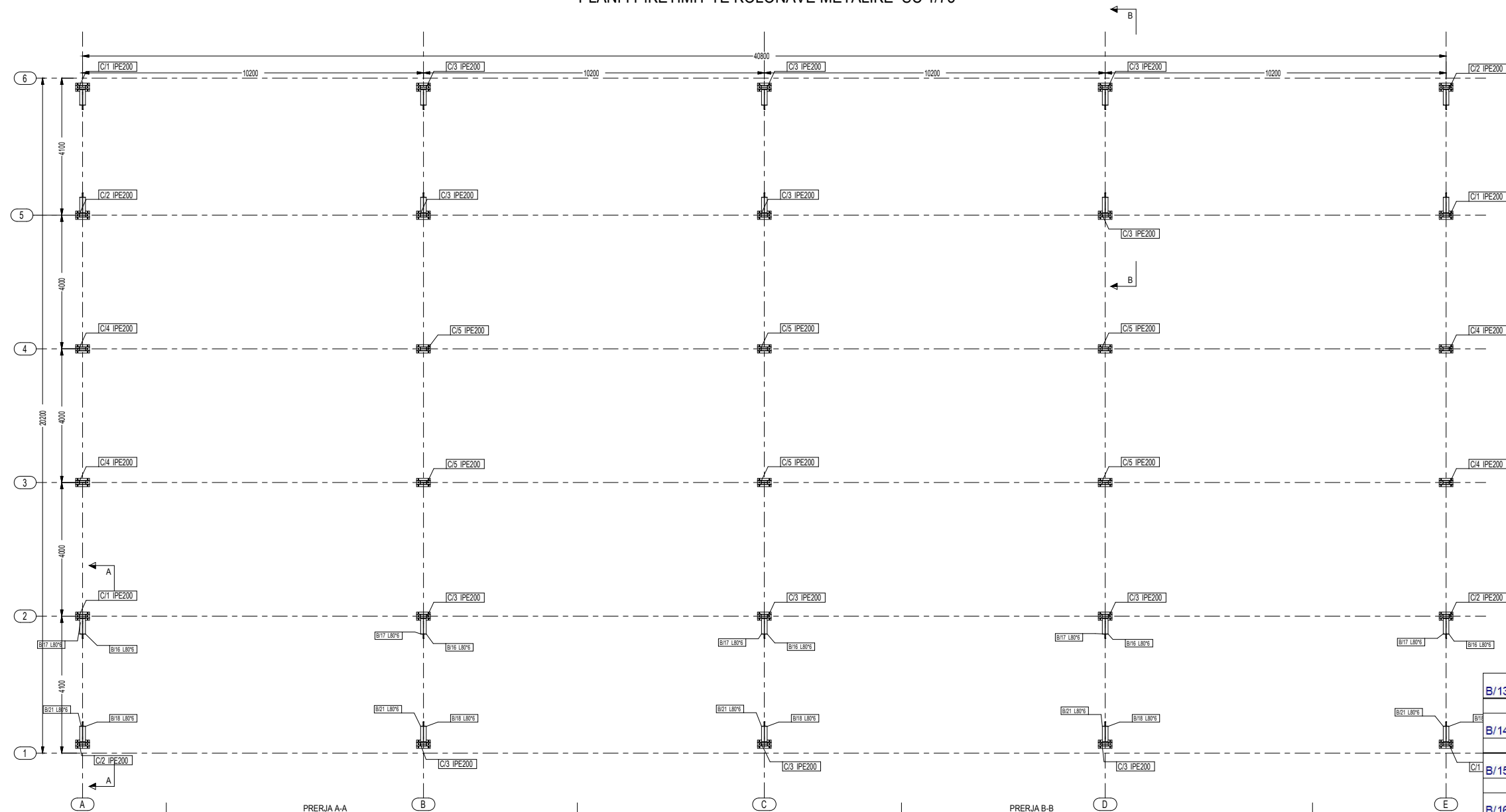
Emertimi: Plani i piketimit te kolonave metalike

"Arabel - Studio" Sh.p.k. "InfraKonsult" Sh.p.k. "Net-Group" Sh.p.k.

Projektues

Nd.Shemsi Sulejmani	Nd.Illirjan Kokalari	Hidr.Luljeta Koci	Ark.Irida Troti	Elek.Altin Alikaj	Gjeoteknik. Artjon Jani
Nd.Lefter Shemitraku	Hidr.Arben Prendi	Gjeod.Myzafere Kallabaku	Ark.Diana Mitrushu	Mek.Bujar Struga	Gjeolog. Besnik Hykaj
Nd.Sokol Metoja	Hidr.Redi Struga	Gjeod.Iv Beqari	Ark.Riget Hyra	Mek.Bujar Meraj	
Nd.Ermal Spahiu	Hidr.Hajredin Murgu	Gjeod.Shqiponja Civici	Elek.Burhan Demberi	Mek. Gjergji Kotori	

SHKALLA	FLETA
1- 500	1- 01
Mat 2021	Format A3



B/13		100				15.92	1591.76
	b/6	1	CC120-1.5-30	S235JR	4598.00	15.92	1591.76
B/14		16				21.79	348.67
	b/11	1	L80*6	S235JR	3021.00	21.79	348.67
B/15		16				21.95	351.21
	b/12	1	L80*6	S235JR	3032.00	21.95	351.21
B/16		10				33.10	331.01
	b/13	1	L80*6	S235JR	4564.00	33.10	331.01
B/17		10				33.10	331.01
	b/14	1	L80*6	S235JR	4564.00	33.10	331.01
B/18		10				15.95	159.46
	b/15	1	L80*6	S235JR	2217.00	15.95	159.46
B/19		10				16.47	164.73
	b/16	1	L80*6	S235JR	2278.00	16.47	164.73
B/20		10				16.47	164.73
	b/17	1	L80*6	S235JR	2278.00	16.47	164.73
B/21		10				15.95	159.46
	b/18	1	L80*6	S235JR	2217.00	15.95	159.46
B/26		100				1.13	112.93
	b/19	1	ROD24	class 5.8	333.00	1.13	112.93
B/27		200				0.06	12.00
	b/20	1	DADO M24	class 5.8	13.00	0.06	12.00
B/28		200				0.02	4.83
	b/21	1	RONDELLA 24	class 5.8	3.00	0.02	4.83
C/1		4				99.15	396.62
	1002	1	PL20*250	S235JR	410.00	16.09	64.37
	1007	2	PL10*40	S235JR	183.00	0.57	4.53
	1008	1	PL10*100	S235JR	192.00	1.50	6.01
	1009	2	PL10*200	S235JR	410.00	4.79	38.31
	1012	1	PL10*150	S235JR	156.00	1.29	5.16
	1013	1	PL10*131	S235JR	172.00	1.33	5.33
	1018	1	PL5*120	S235JR	120.00	0.57	2.26
	1019	1	PL5*60	S235JR	120.00	0.14	0.57
	b/4	1	CFRHS100X100	S235JR	424.00	4.98	19.91
	c/2	1	IPE200	S235JR	2796.00	62.54	250.17

POROSITESI : BASHKIA MAT

Objekti: "STUDIM PROJEKTIM I RRJETIT TE KANALIZIMEVE NE ZONAT PERIFERIKE TE QYTETIT BURREL"

Emertimi: Plani i piketimit te kolonave metalike

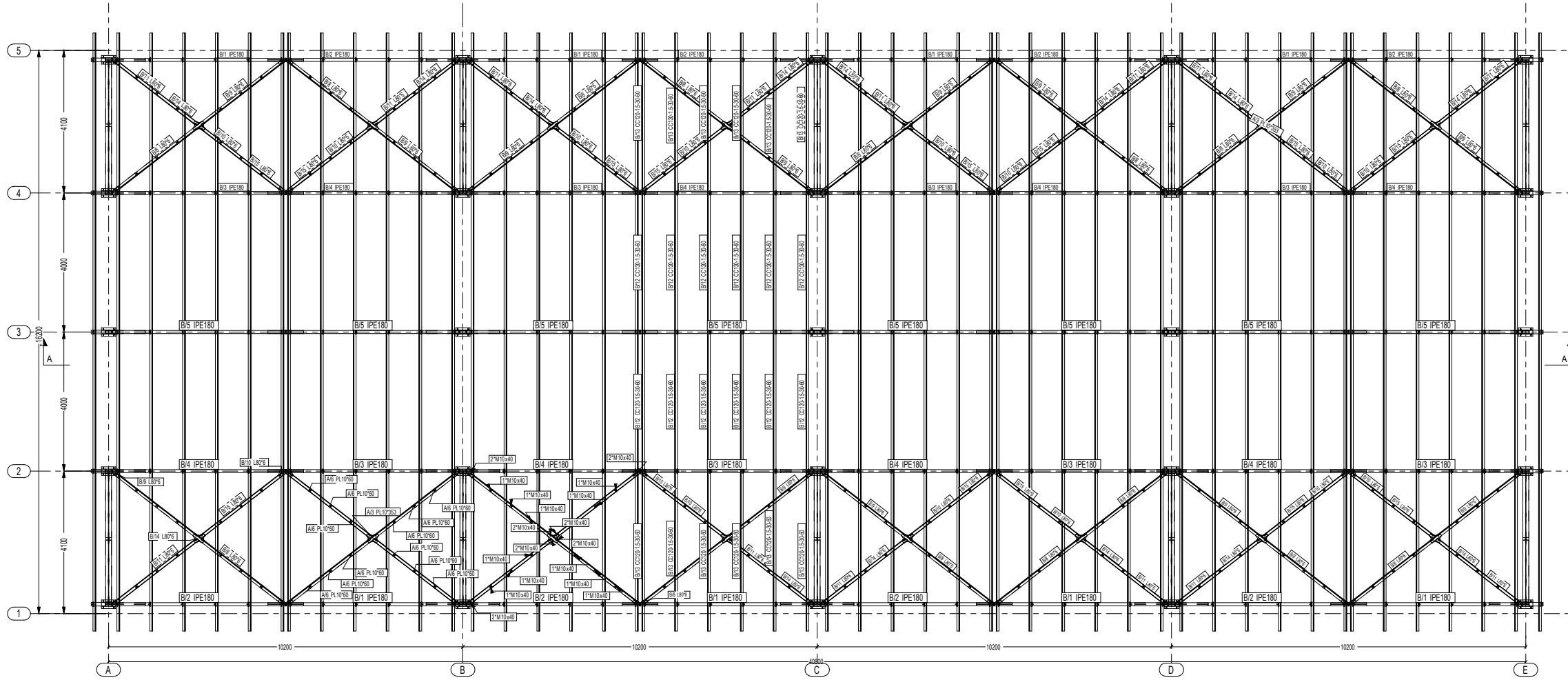
"Arabel - Studio" Sh.p.k. "InfraKonsult" Sh.p.k. "Net-Group" Sh.p.k.

Projektues

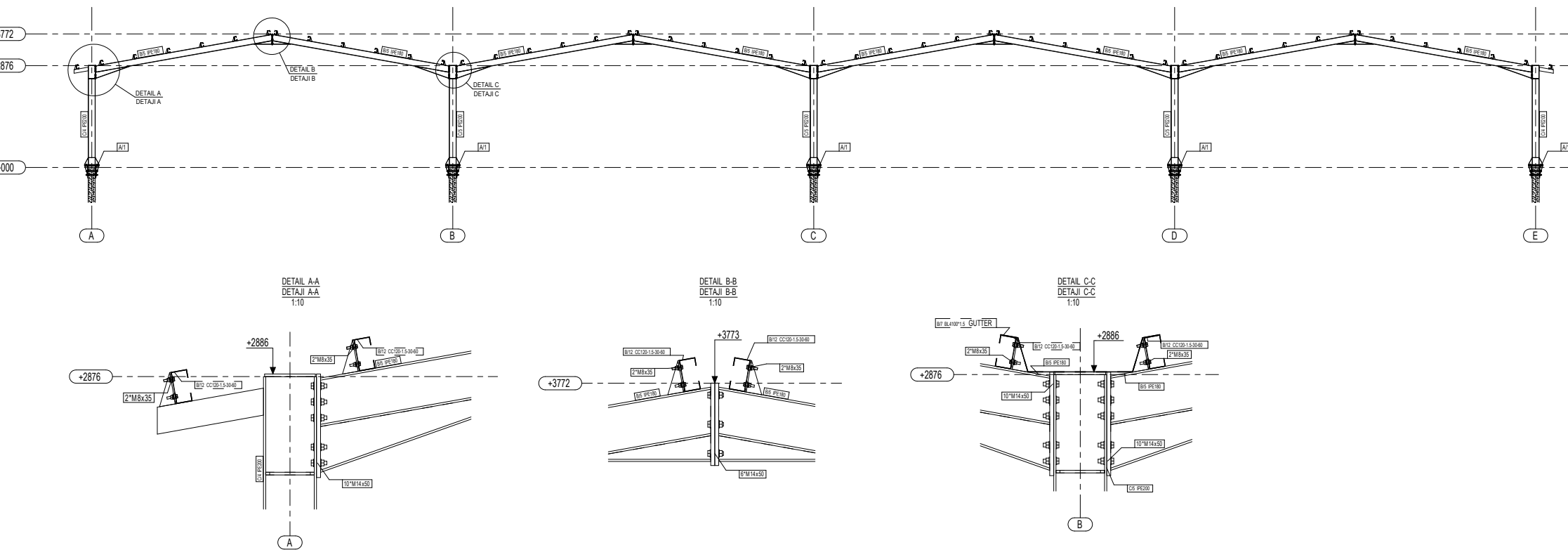
Nd.Shemsi Sulejmani	Nd.Illirjan Kokalari	Hidr.Luljeta Koci	Ark.Irida Troti	Elek.Altin Alikaj	Gjeoteknik. Artjon Jani
Nd.Lefter Shemitraku	Hidr.Arben Prendi	Gjeod.Myzaferre Kallabaku	Ark.Diana Mitrushu	Mek.Bujar Struga	Gjeolog. Besnik Hykaj
Nd.Sokol Metoja	Hidr.Redi Struga	Gjeod.Iv Beqari	Ark.Riget Hyra	Mek.Bujar Meraj	
Nd.Ermal Spahiu	Hidr.Hajredin Murgu	Gjeod.Shqiponja Civici	Elek.Burhan Demberi	Mek. Gjergji Kotori	

SHKALLA	FLETA
1- 500	1- 01
Mat 2021	Format A3

PLANI I TENDES METALIKE SC 1/75



PRERJA A-A E TENDES METALIKE SC 1/75



C/2	1002	4	PL20*250	S235JR	410.00	99.15	396.62
	1007	2	PL10*40	S235JR	183.00	16.09	64.37
	1008	1	PL10*100	S235JR	192.00	0.57	4.53
	1009	2	PL10*200	S235JR	410.00	1.50	6.01
	1012	1	PL10*150	S235JR	156.00	4.79	38.31
	1013	1	PL10*131	S235JR	172.00	1.29	5.16
	1018	1	PL5*120	S235JR	120.00	1.33	5.33
	1019	1	PL5*60	S235JR	120.00	0.57	2.26
b/4	1	CFRHS100X100	S235JR	424.00	120.00	0.14	0.57
c/2	1	IPE200	S235JR	2796.00	4.98	19.91	
					2796.00	62.54	250.17
C/3	1002	12	PL20*250	S235JR	410.00	93.47	1121.65
	1007	2	PL10*40	S235JR	183.00	16.09	193.11
	1008	1	PL10*100	S235JR	192.00	0.57	13.59
	1009	2	PL10*200	S235JR	410.00	1.50	18.04
	1012	1	PL10*150	S235JR	156.00	4.79	114.92
	1013	1	PL10*131	S235JR	172.00	1.29	15.47
	1018	1	PL5*120	S235JR	120.00	1.33	16.00
	c/1	1	IPE200	S235JR	2796.00	172.00	62.54
					2796.00	62.54	750.51
C/4	1002	2	PL20*250	S235JR	410.00	96.53	193.06
	1007	1	PL10*40	S235JR	183.00	16.09	32.18
	1008	2	PL10*100	S235JR	192.00	0.57	2.27
	1009	1	PL10*200	S235JR	410.00	1.50	3.01
	1012	2	PL10*150	S235JR	156.00	4.79	19.15
	1018	1	PL5*120	S235JR	120.00	0.57	1.13
	1019	1	PL5*60	S235JR	120.00	1.29	0.28
	b/4	1	CFRHS100X100	S235JR	424.00	0.14	0.28
c/2	1	IPE200	S235JR	2796.00	4.98	9.95	
					2796.00	62.54	125.09
C/5	1002	3	PL20*250	S235JR	410.00	90.85	272.54
	1007	1	PL10*40	S235JR	183.00	16.09	48.28
	1008	2	PL10*100	S235JR	192.00	0.57	3.40
	1009	1	PL10*200	S235JR	410.00	1.50	4.51
	c/1	1	IPE200	S235JR	2796.00	4.79	28.73
					2796.00	62.54	187.63
Totale							16902.06

POROSITESI : BASHKIA MAT
 Objekti: "STUDIM PROJEKTIM I RRJETIT TE KANALIZIMEVE NE ZONAT PERIFERIKE TE QYTETIT BURREL"

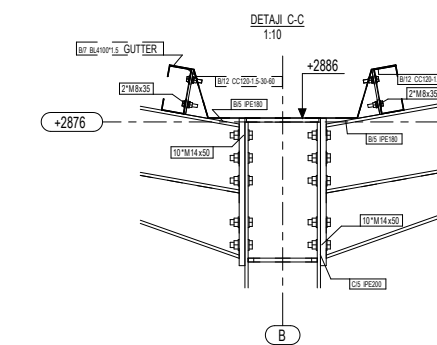
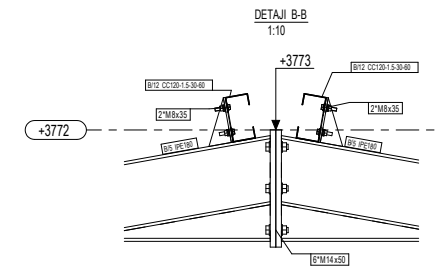
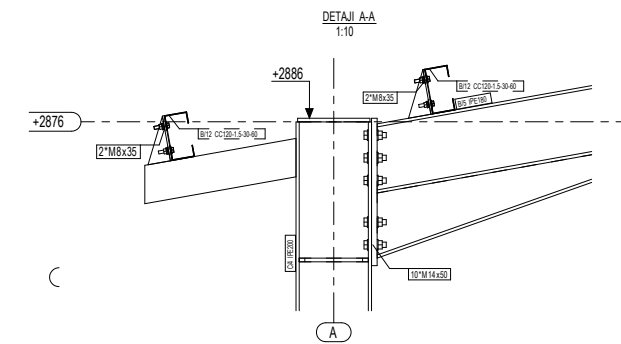
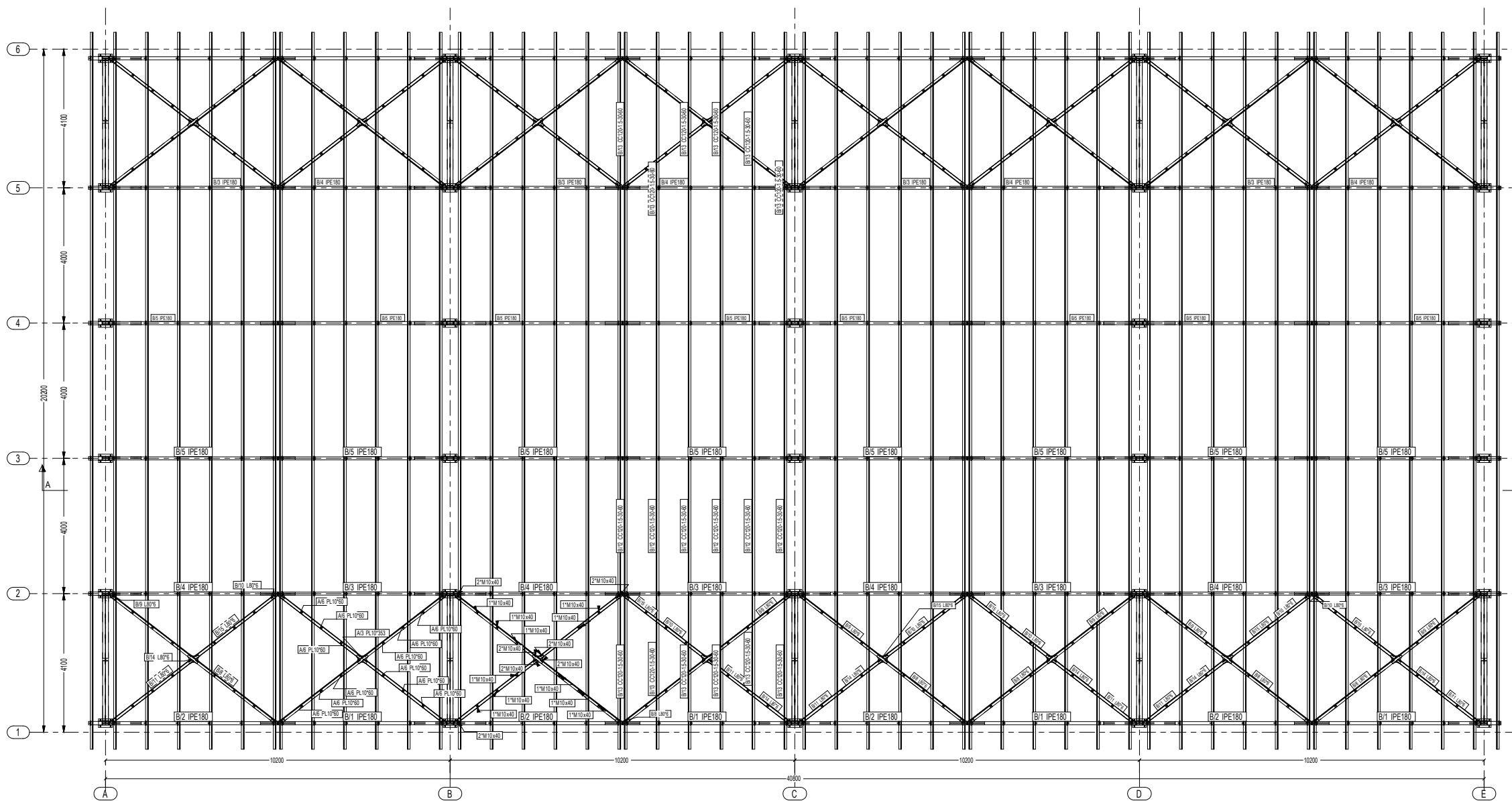
Emertimi: Plani i tendes metalike
 "Arabel - Studio" Sh.p.k. "InfraKonsult" Sh.p.k. "Net-Group" Sh.p.k.

Projektues

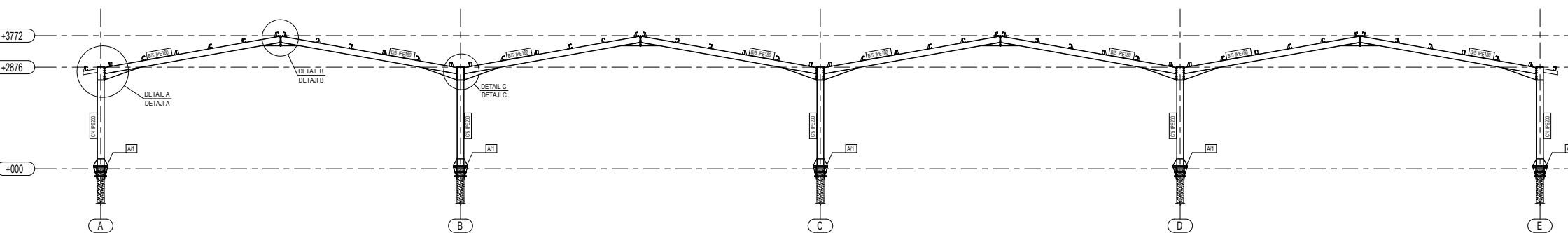
Nd.Shemi Sulejmani	Nd.Ilirjan Kokalari	Hidr.Luljeta Koci	Ark.Irida Troti	Elek.Altin Alikaj	Gjeoteknik. Artjon Jani
Nd.Lefter Shembitraku	Hidr.Arben Prendi	Gjeod.Myzafere Kallabaku	Ark.Diana Mitrushu	Mek.Bujar Struga	Gjeolog. Besnik Hykaj
Nd.Sokol Metoja	Hidr.Redi Struga	Gjeod.Iv Beqari	Ark.Rigert Hyra	Mek.Bujar Mera	
Nd.Ermal Spahiu	Hidr.Hajredin Murgu	Gjeod.Shqiponja Civici	Elek.Burhan Demberi	Mek. Gjergji Kotori	

SHKALLA	FLETA
1- 500	1- 01
Mat 2021	Format A3

PLANI I KAPRIATES METALIKE SC 1/75



PRERJA A-A E KAPRIATES METALIKE SC 1/75



C/2	4								
	1002	1	PL20*250	S235JR	410.00	16.09	64.37		
	1007	2	PL10*40	S235JR	183.00	0.57	4.53		
	1008	1	PL10*100	S235JR	192.00	1.50	6.01		
	1009	2	PL10*200	S235JR	410.00	4.79	38.31		
	1012	1	PL10*150	S235JR	156.00	1.29	5.16		
	1013	1	PL10*131	S235JR	172.00	1.33	5.33		
	1018	1	PL5*120	S235JR	120.00	0.57	2.26		
	1019	1	PL5*60	S235JR	120.00	0.14	0.57		
	b/4	1	CFRHS100X100	S235JR	424.00	4.98	19.91		
	c/2	1	IPE200	S235JR	2796.00	62.54	250.17		
C/3		12					93.47		1121.65
	1002	1	PL20*250	S235JR	410.00	16.09	193.11		
	1007	2	PL10*40	S235JR	183.00	0.57	13.59		
	1008	1	PL10*100	S235JR	192.00	1.50	18.04		
	1009	2	PL10*200	S235JR	410.00	4.79	114.92		
	1012	1	PL10*150	S235JR	156.00	1.29	15.47		
	1013	1	PL10*131	S235JR	172.00	1.33	16.00		
	c/1	1	IPE200	S235JR	2796.00	62.54	750.51		
C/4		4					96.53		386.13
	1002	1	PL20*250	S235JR	410.00	16.09	64.37		
	1007	2	PL10*40	S235JR	183.00	0.57	4.53		
	1008	1	PL10*100	S235JR	192.00	1.50	6.01		
	1009	2	PL10*200	S235JR	410.00	4.79	38.31		
	1018	1	PL5*120	S235JR	120.00	0.57	2.26		
	1019	1	PL5*60	S235JR	120.00	0.14	0.57		
	b/4	1	CFRHS100X100	S235JR	424.00	4.98	19.91		
	c/2	1	IPE200	S235JR	2796.00	62.54	250.17		
C/5		6					90.85		545.09
	1002	1	PL20*250	S235JR	410.00	16.09	96.55		
	1007	2	PL10*40	S235JR	183.00	0.57	6.80		
	1008	1	PL10*100	S235JR	192.00	1.50	9.02		
	1009	2	PL10*200	S235JR	410.00	4.79	57.46		
	c/1	1	IPE200	S235JR	2796.00	62.54	375.26		
Totale									19494.32

POROSITESI : BASHKIA MAT
 Objekti: "STUDIM PROJEKTIM I RRJETIT TE KANALIZIMEVE NE ZONAT PERIFERIKE TE QYTETIT BURREL"

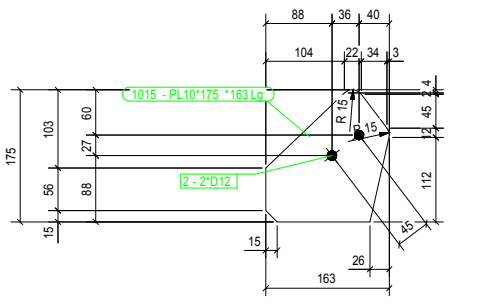
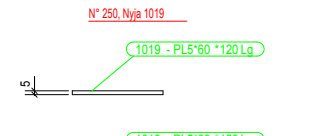
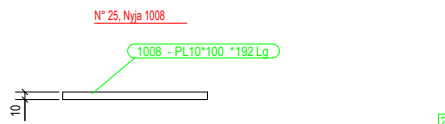
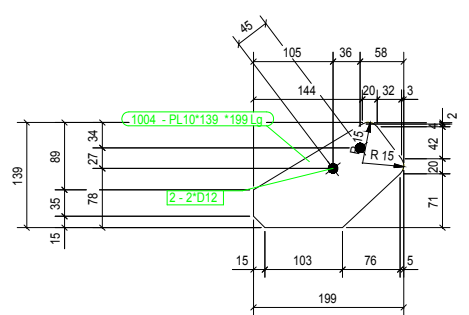
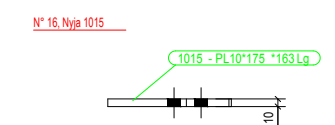
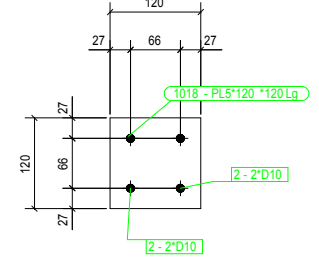
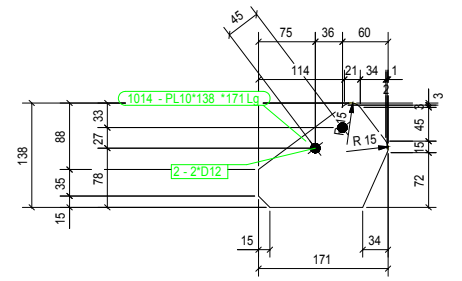
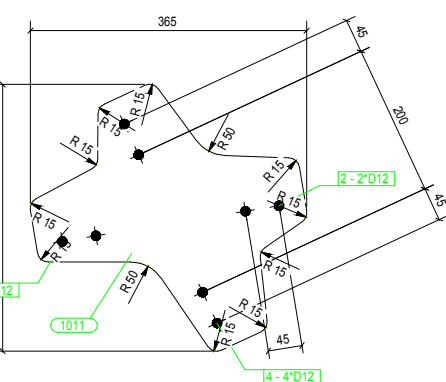
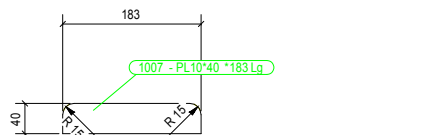
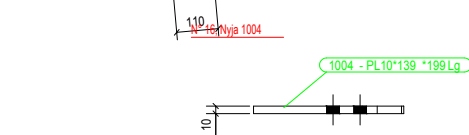
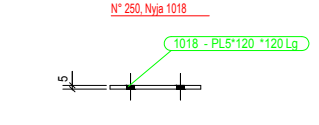
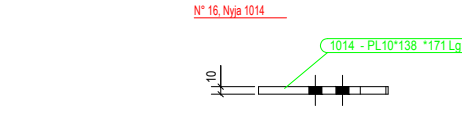
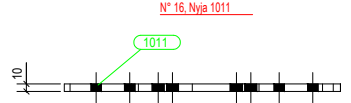
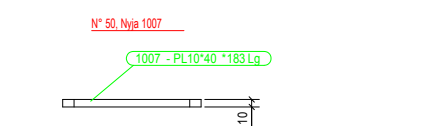
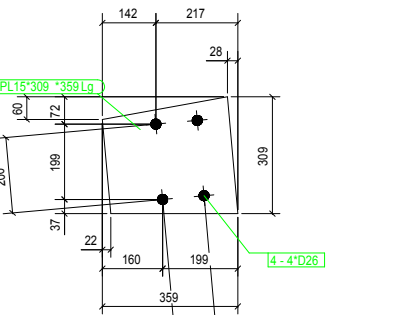
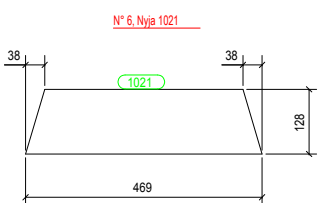
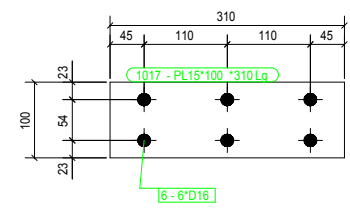
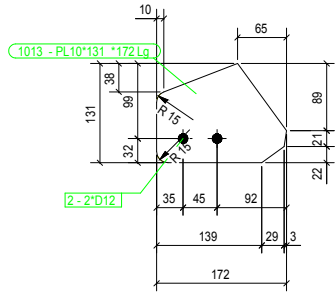
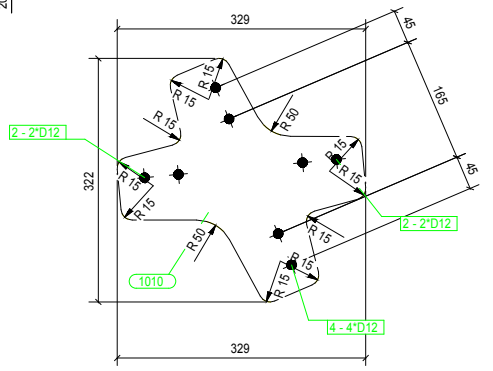
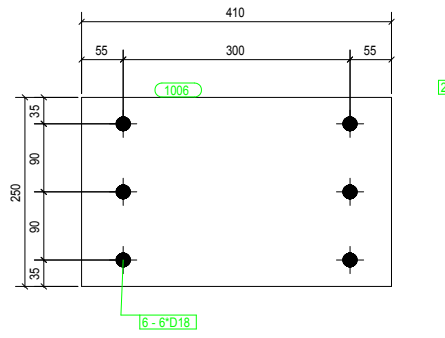
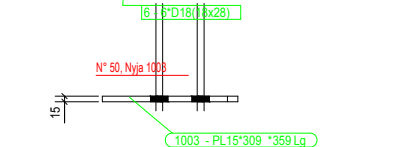
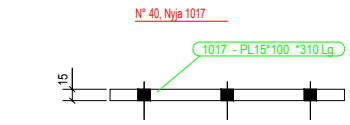
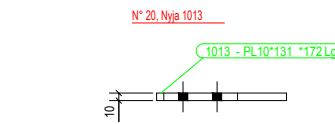
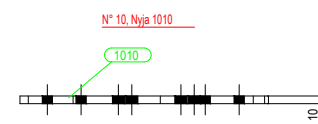
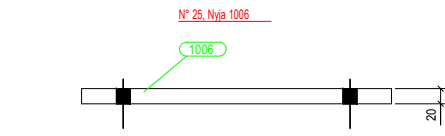
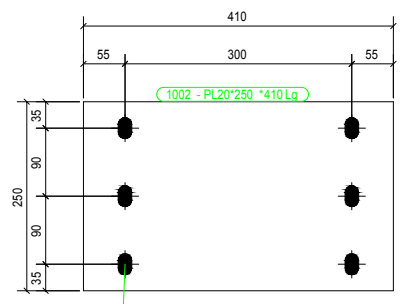
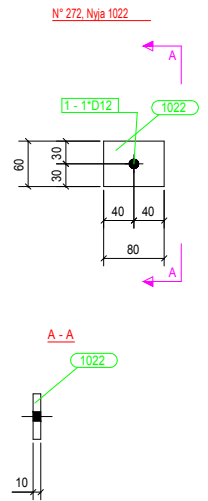
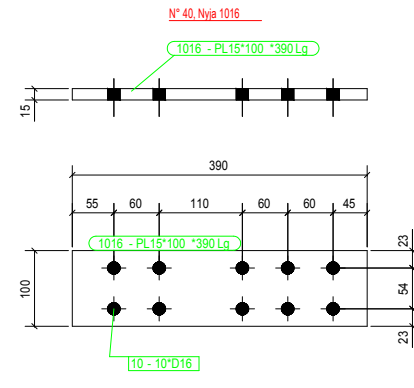
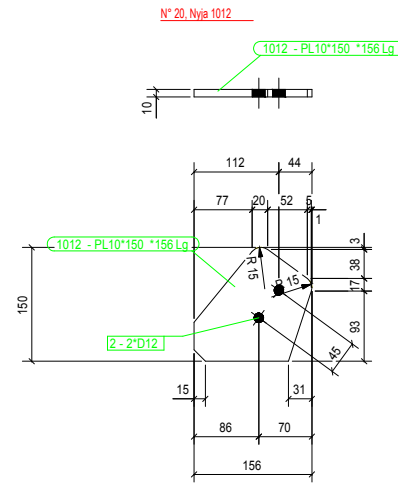
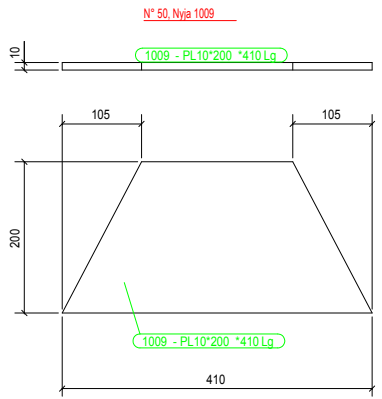
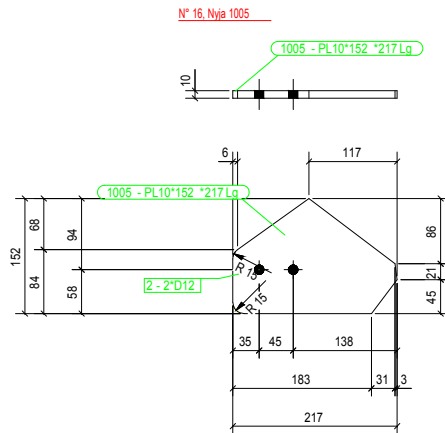
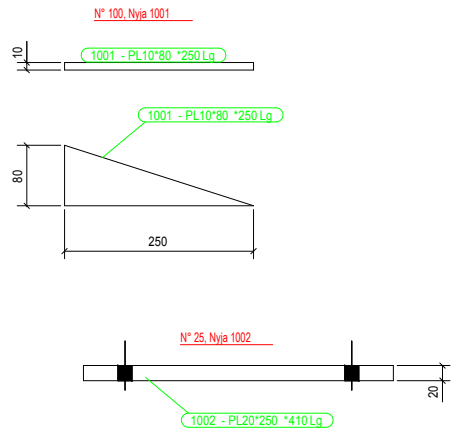
Emertimi: Plani i Kapriates metalike

"Arabel - Studio" Sh.p.k. "InfraKonsult" Sh.p.k. "Net-Group" Sh.p.k.

Projektues

Nd.Shemsi Sulejmani	Nd.Ilirjan Kokalari	Hidr.Luljeta Koci	Ark.Irida Troti	Elek.Altin Alikaj	Gjeoteknik. Artjon Jani
Nd.Lefter Shemitraku	Hidr.Arben Prendi	Gjeod.Myzafere Kallabaku	Ark.Diana Mitrushi	Mek.Bujar Struga	Gjeolog. Besnik Hykaj
Nd.Sokol Metoja	Hidr.Redi Struga	Gjeod.Iv Beqari	Ark.Riget Hyra	Mek.Bujar Meraj	
Nd.Ermal Spahiu	Hidr.Hajredin Murgu	Gjeod.Shqiponja Civici	Elek.Burhan Demberi	Mek. Gjergji Kotori	

SHKALLA	FLETA
1- 500	1 - 01
Mat 2021	Format A3



POROSITESI : BASHKIA MAT

Objekti: "STUDIM PROJEKTIM I RRJETIT TE KANALIZIMEVE NE ZONAT PERIFERIKE TE QYTETIT BURREL"

Emertimi: Detaje te njeve

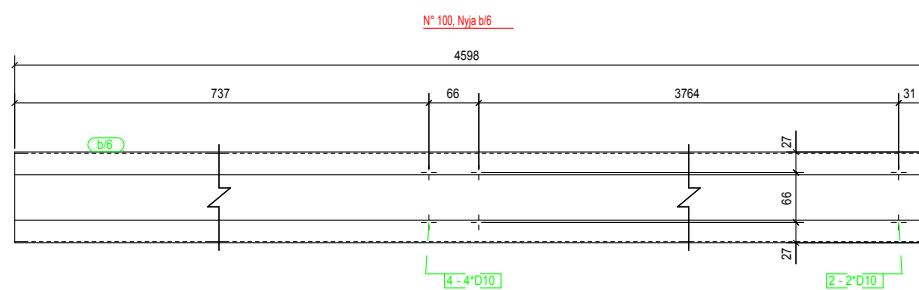
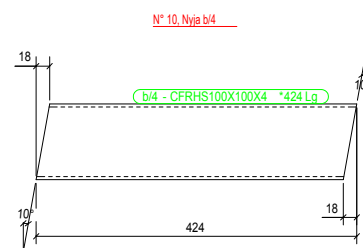
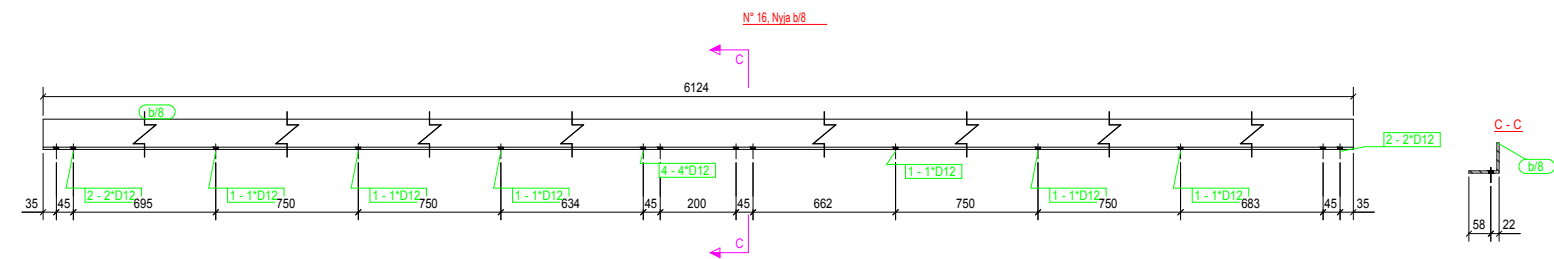
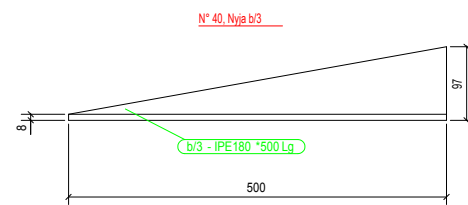
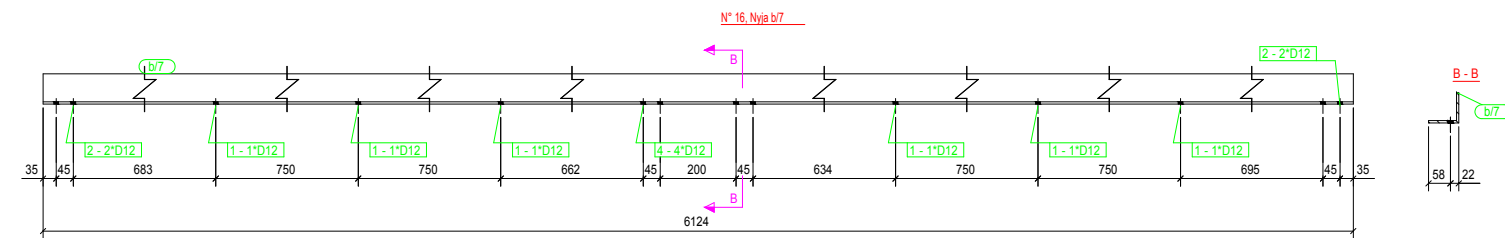
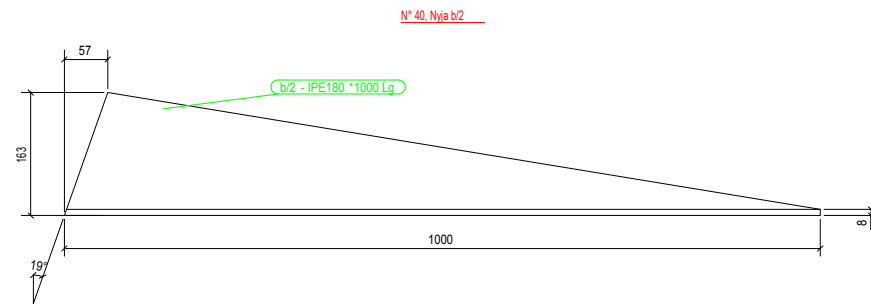
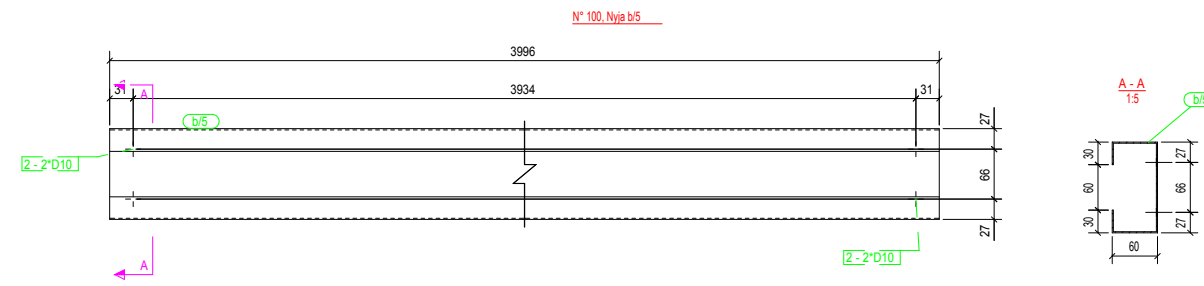
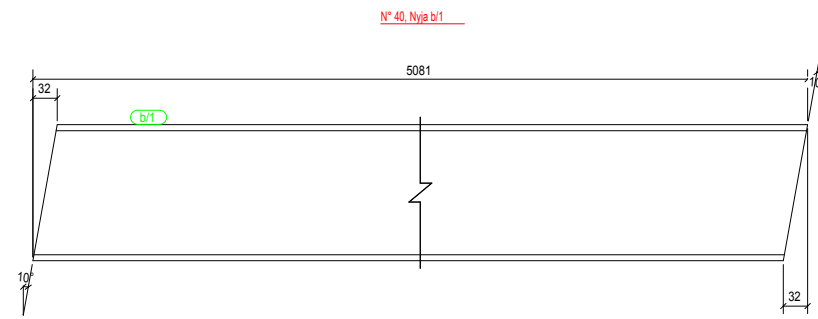
"Arabel - Studio" Sh.p.k "InfraKonsult " Sh.p.k "Net-Group " Sh.p.k



Projektues

Nd.Shemi Sulejmani	Nd.Illirjan Kokalari	Hidr.Luljeta Koci	Ark.Irida Troti	Elek.Altin Allkaj	Gjeoteknik. Artjon Jani
Nd.Lefter Shemitraku	Hidr.Arben Prendi	Gjeod.Myzafere Kallabaku	Ark.Diana Mitrushi	Mek.Bujar Struga	Gjeolog. Besnik Hykaj
Nd.Sokol Metoja	Hidr.Redi Struga	Gjeod.Iv Beqari	Ark.Rigert Hyra	Mek.Bujar Meraj	
Nd.Ermal Spahiu	Hidr.Hajredin Murgu	Gjeod.Shqiponja Civici	Elek.Burhan Demberi	Mek. Gjergji Kotori	

SHKALLA	FLETA
1- 500	1 - 01
Mat 2021	Format A3



POROSITESI : BASHKIA MAT

Objekti: "STUDIM PROJEKTIM I RRJETIT TE KANALIZIMEVE NE ZONAT PERIFERIKE TE QYTETIT BURREL"

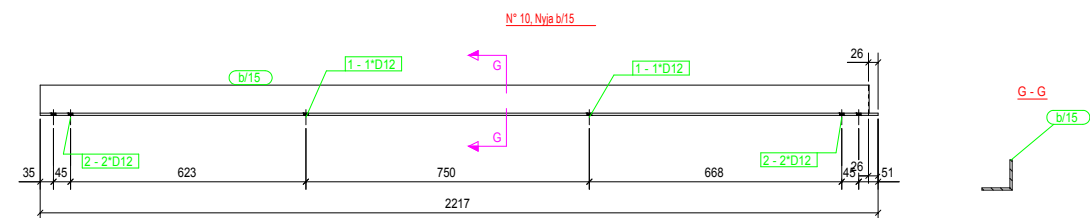
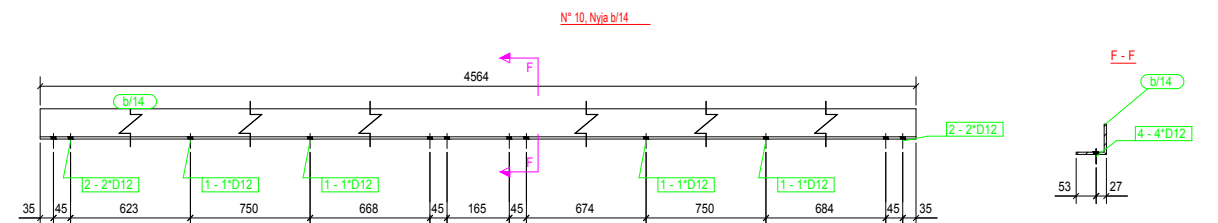
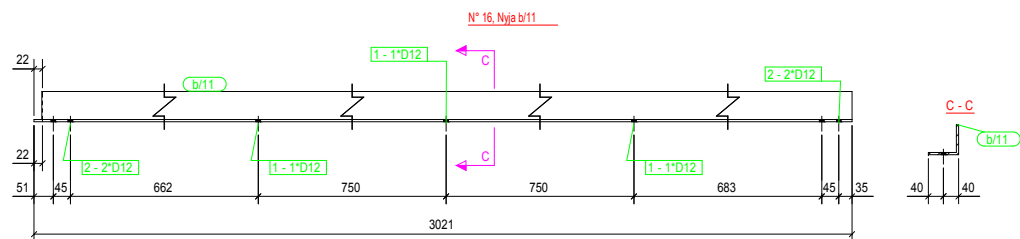
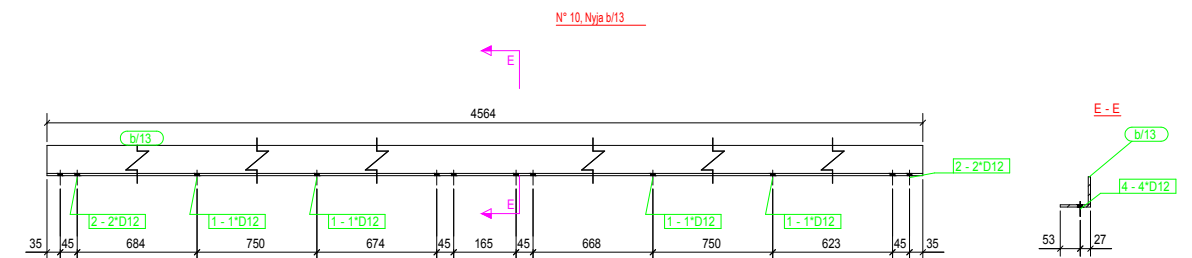
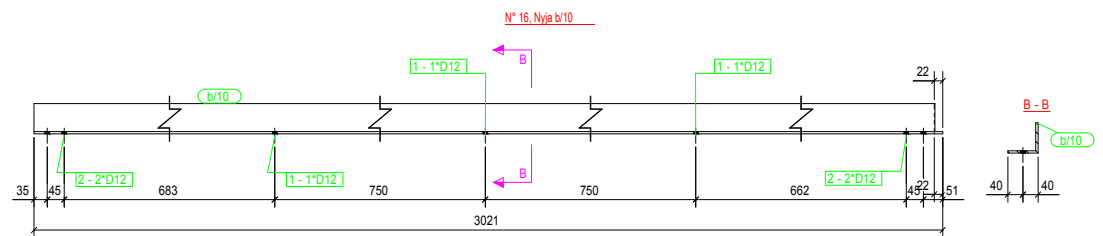
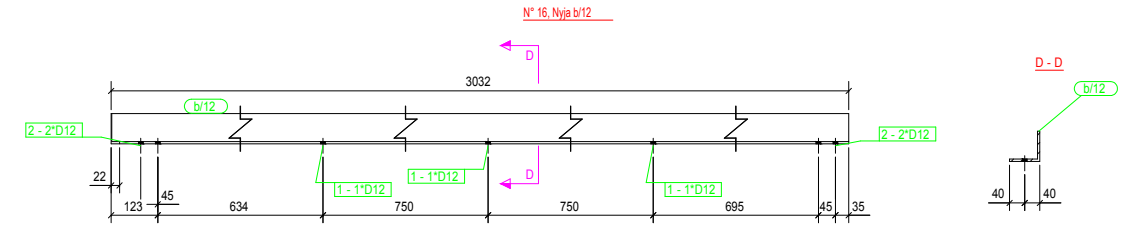
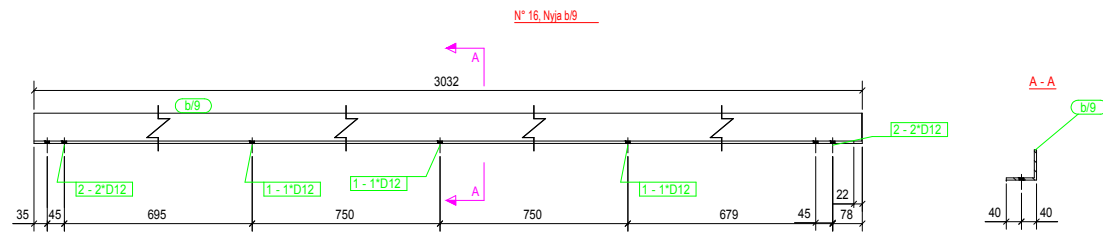
Emertimi: Detaje te nyjeve

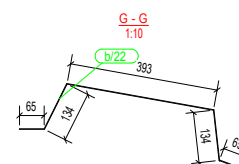
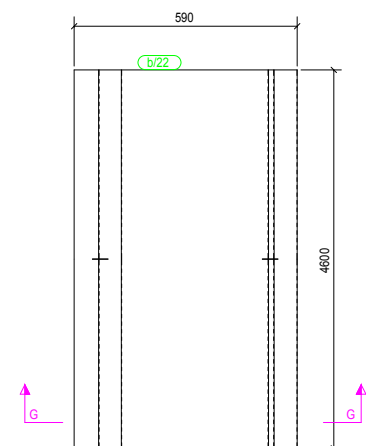
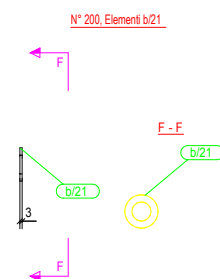
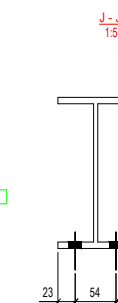
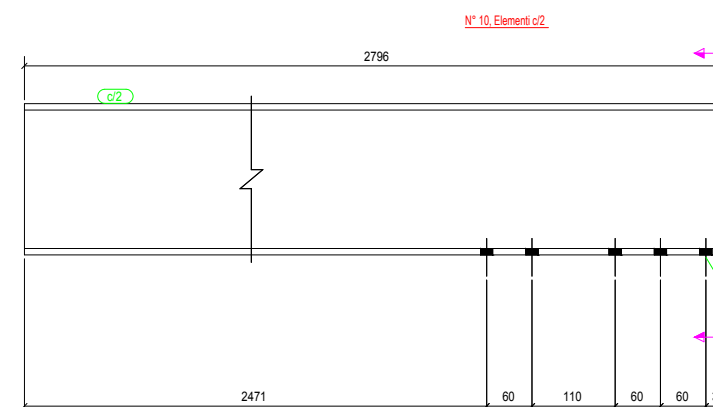
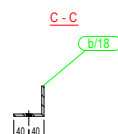
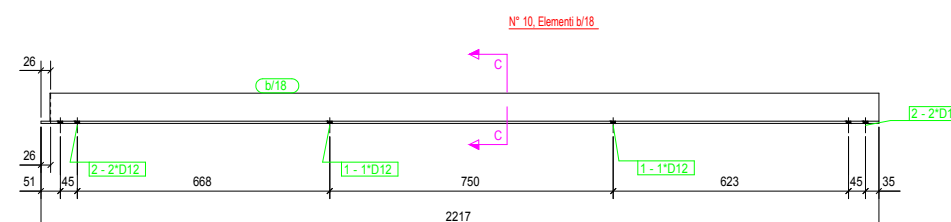
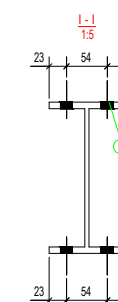
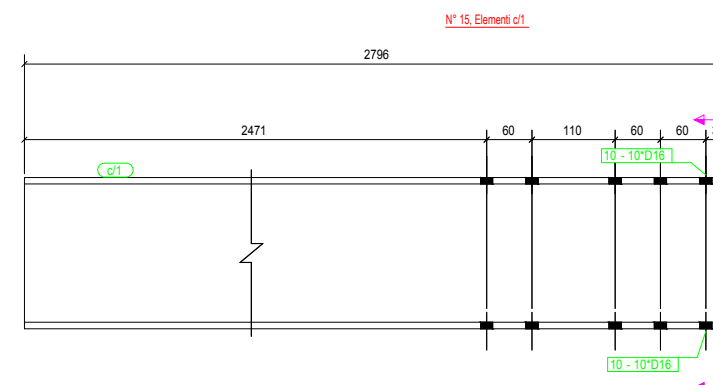
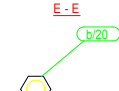
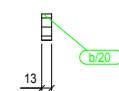
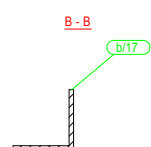
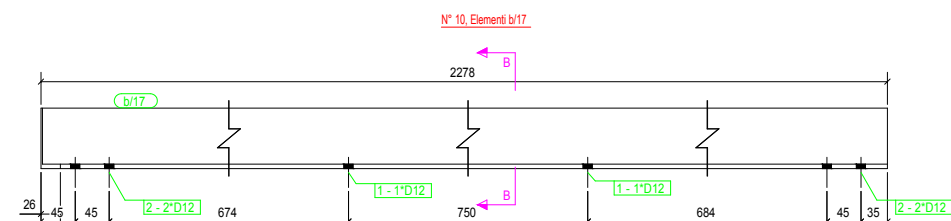
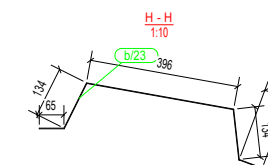
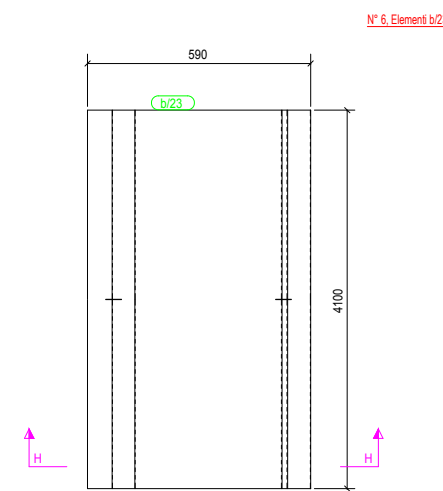
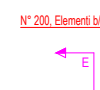
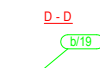
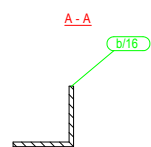
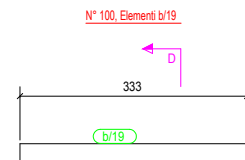
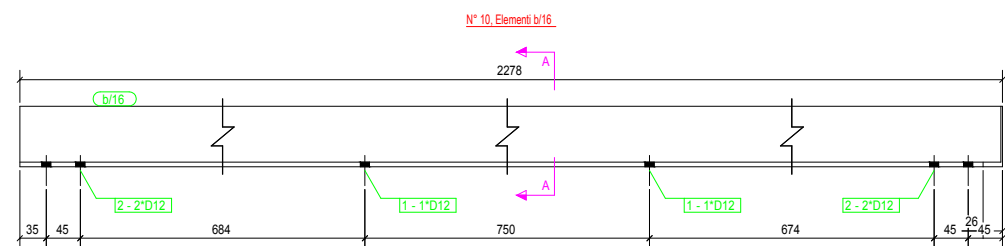
"Arabel - Studio" Sh.p.k	"InfraKonsult" Sh.p.k	"Net-Group" Sh.p.k

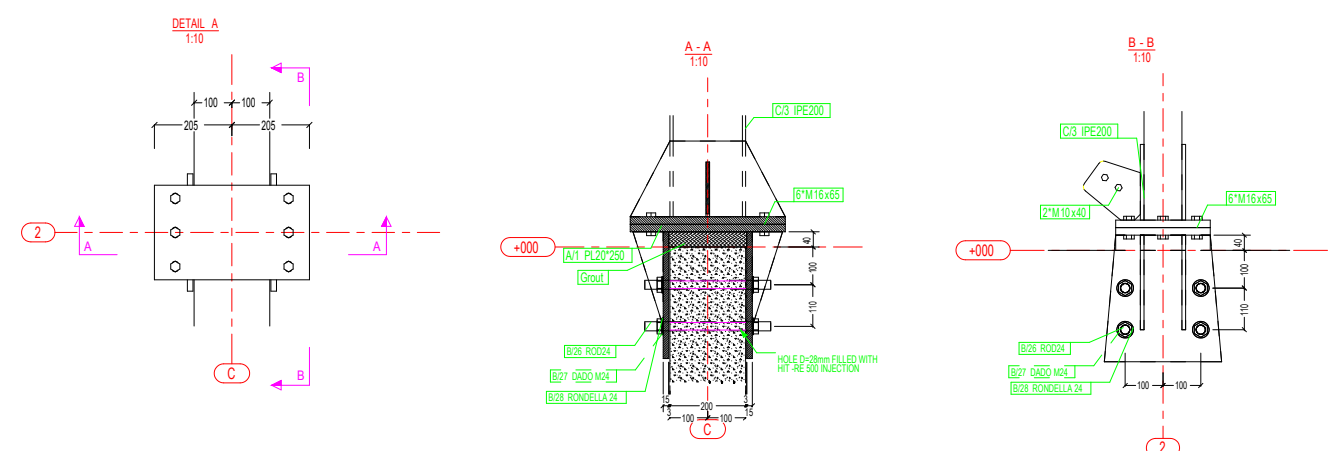
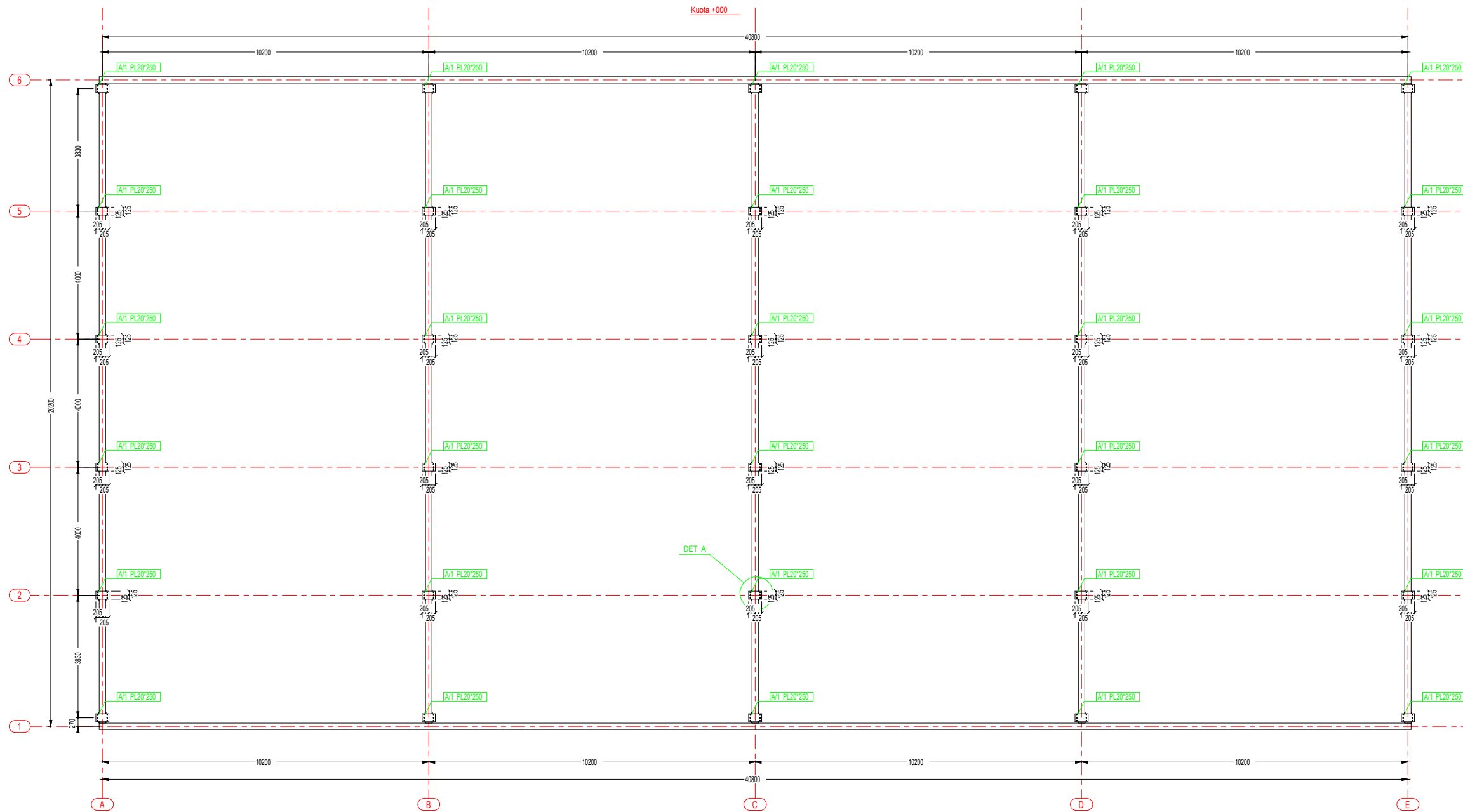
Projektues

Nd.Shemsi Sulejmani	Nd.Ilirjan Kokalari	Hidr.Luljeta Koci	Ark.Irida Troti	Elek.Altin Alikaj	Gjeoteknik. Artjon Jani
Nd.Lefter Shembitraku	Hidr.Arben Prendi	Gjeod.Myzafer Kallabaku	Ark.Diana Mitrush	Mek.Bujar Struga	Gjeolog. Besnik Hykaj
Nd.Sokol Metaja	Hidr.Redi Struga	Gjeod.Iv Beqari	Ark.Riget Hyra	Mek.Bujar Meraj	
Nd.Ermal Spahiu	Hidr.Hajredin Murgu	Gjeod.Shqiponja Civici	Elek.Burhan Demberi	Mek. Gjergji Kotori	

SHKALLA	FLETA
1 - 500	1 - 01
Mat 2021	Format A3







POROSITESI : BASHKIA MAT

Objekti: "STUDIM PROJEKTIM I RRJETIT TE KANALIZIMEVE NE ZONAT PERIFERIKE TE QYTETIT BURREL"

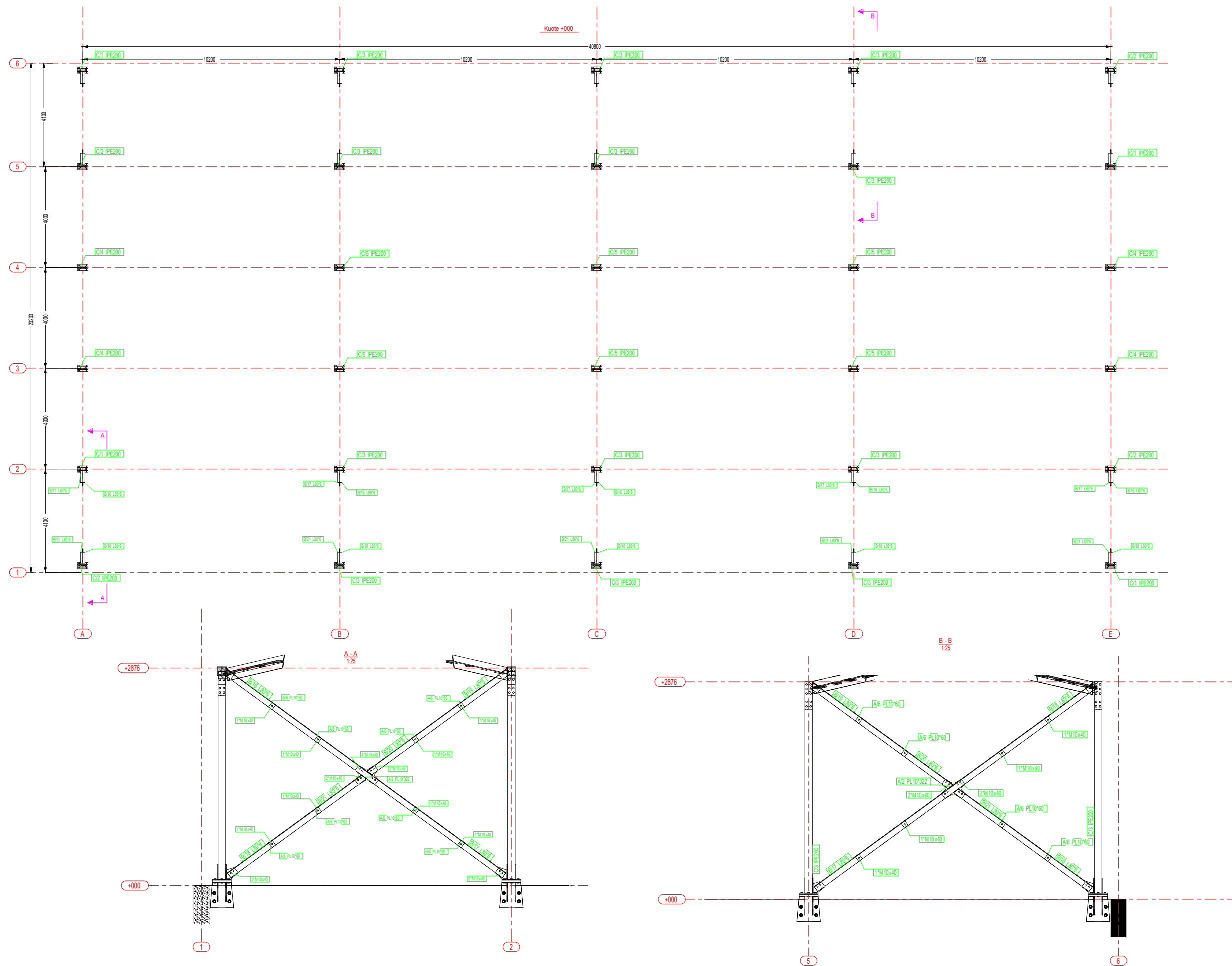
Emertimi: Plani i trareve

"Arabel - Studio" Sh.p.k	"InfraKonsult" Sh.p.k	"Net-Group" Sh.p.k

Projektues

Nd.Shemi Sulejmani	Nd.Illirjan Kokalari	Hidr.Luljeta Koci	Ark.Irida Troti	Elek.Altin Allkaj	Gjeoteknik. Artjon Jani
Nd.Lefter Shembitraku	Hidr.Arben Prendi	Gjeod.Myzaferë Kallabaku	Ark.Diana Mitushi	Mek.Bujar Struga	Gjeolog. Besnik Hykaj
Nd.Sokol Metoja	Hidr.Redir Struga	Gjeod.Iv Beqari	Ark.Riget Hyra	Mek.Bujar Meraj	
Nd.Ermal Spahiu	Hidr.Hajredin Murgu	Gjeod.Shqiponja Civici	Elek.Burhan Demberi	Mek. Gjergji Kotori	

SHKALLA	FLETA
1- 500	1 - 01
Mat 2021	Format A3



POROSITESI : BASHKIA MAT

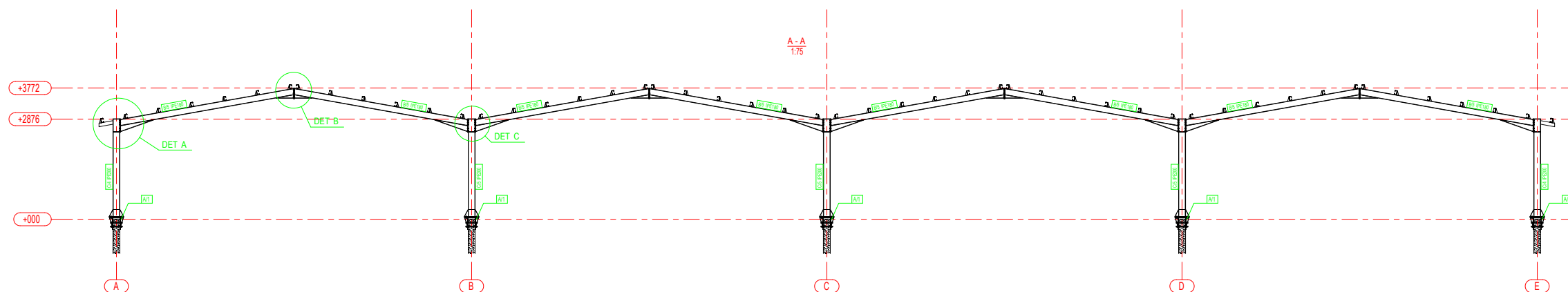
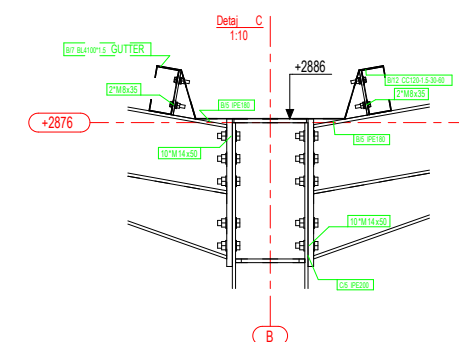
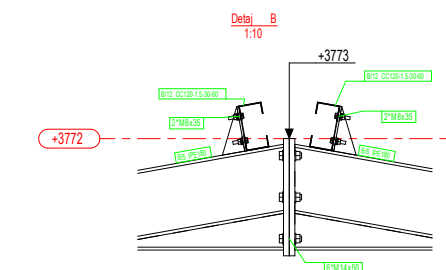
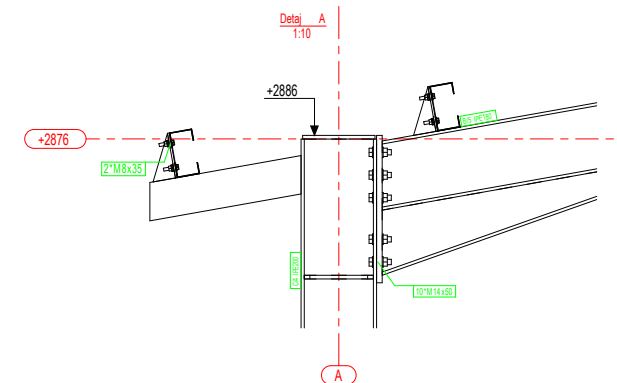
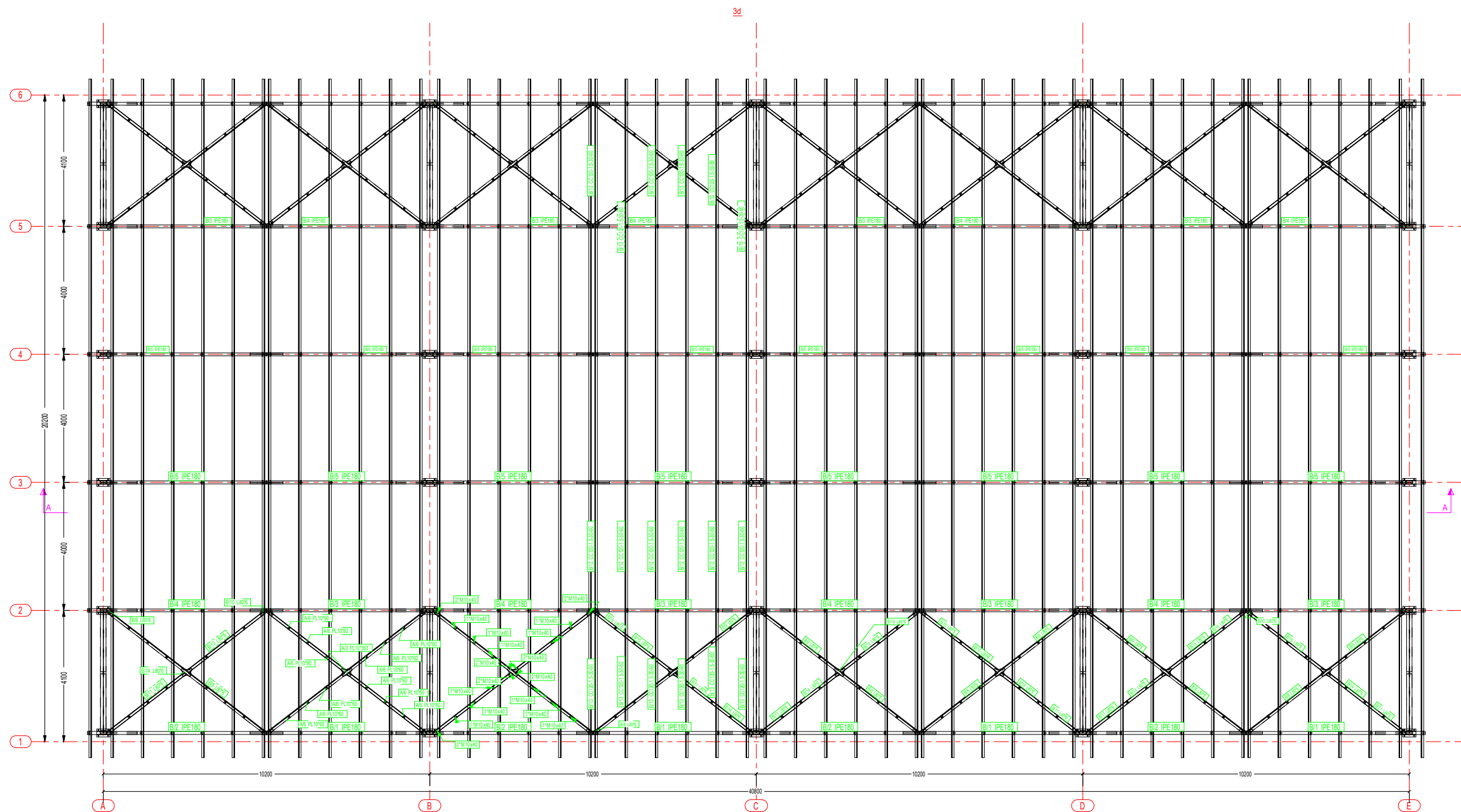
Objekti: "STUDIM PROJEKTIM I RRJETIT TE KANALIZIMEVE NE ZONAT PERIFERIKE TE QYTETIT BURREL"

Emertimi: Plani i mbuleses metalike ne kuoten ±0.0

"Arabel - Studio" Sh.p.k	"InfraKonsult" Sh.p.k	"Net-Group" Sh.p.k

Projektues					
Nd.Shemi Sulejmani	Nd.Illirjan Kokalari	Hidr.Luljeta Koci	Ark.Irida Troti	Elek.Altin Allkaj	Gjeoteknik. Artjon Jani
Nd.Lefter Shemitraku	Hidr.Arben Prendi	Gjeod.Myzafere Kallabaku	Ark.Diana Mitushi	Mek.Bujar Struga	Gjeolog. Besnik Hykaj
Nd.Sokol Metoja	Hidr.Redi Struga	Gjeod.Iv Beqari	Ark.Riget Hyra	Mek.Bujar Meraj	
Nd.Ermal Spahiu	Hidr.Hajredin Murgu	Gjeod.Shqiponja Civici	Elek.Burhan Demberi	Mek. Gjergji Kotori	

SHKALLA	FLETA
1- 500	1 - 01
Mat 2021	Format A3



POROSITESI : BASHKIA MAT

Objekti: "STUDIM PROJEKTIM I RRJETIT TE KANALIZIMEVE NE ZONAT PERIFERIKE TE QYTETIT BURREL"

Emertimi: Prerje e mbuleses metalike

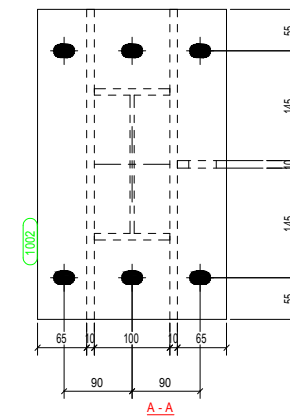
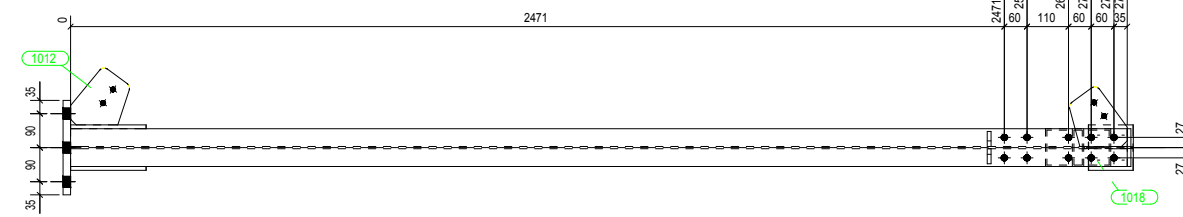
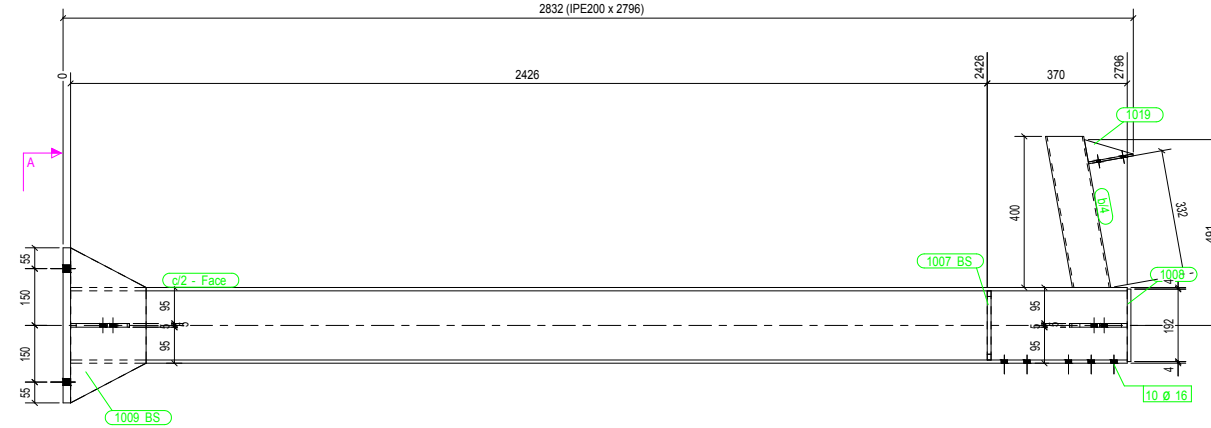
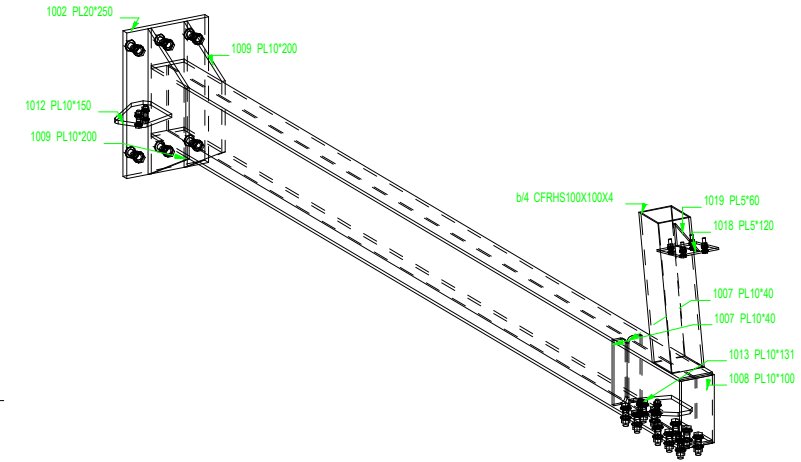
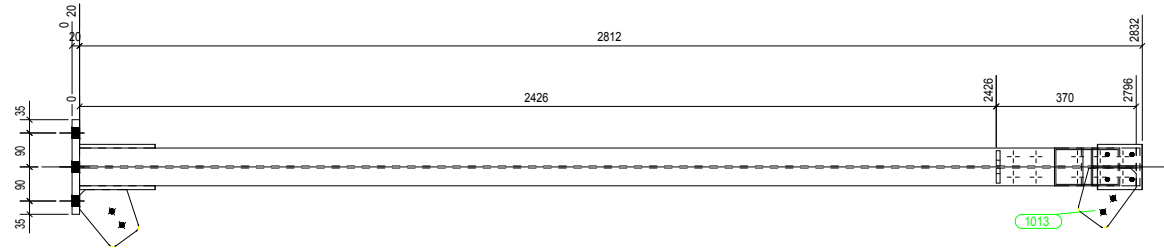
"Arabel - Studio" Sh.p.k. "Infrakonsult" Sh.p.k. "Net-Group" Sh.p.k.

Projektues

Nd.Shemi Sulejmani	Nd.Illirjan Kokalari	Hidr.Luljeta Koci	Ark.Irida Troti	Elek.Atin Alikaj	Gjeoteknik. Artjon Jani
Nd.Leter Shembitraku	Hidr.Arben Prendi	Gjeod.Myzafere Kallabaku	Ark.Diana Mitrushu	Mek.Bujar Struga	Gjeolog. Besnik Hykaj
Nd.Sokol Metoja	Hidr.Redi Struga	Gjeod.Iv Beqari	Ark.Rigert Hyra	Mek.Bujar Meraj	
Nd.Ermal Spahiu	Hidr.Hajredin Murgu	Gjeod.Shqipnja Civici	Elek.Burhan Demberi	Mek. Gjergji Kotori	

SHKALLA	FLETA
1- 500	1- 01
Mat 2021	Format A3

PHASE	QTY	GRID LOCATION	PRELIM	MARK	QTY	PROFILE	GRD	LENGTH	AREA (m ²)	WEIGHT (kg)
3	4	A/2 @ +2.892			1002	1 PL20*250	S235JR	410	0.231	16.1
		A/5 @ +2.892			1007	2 PL10*40	S235JR	183	0.038	1.1
		E/1 @ +2.892			1008	1 PL10*100	S235JR	192	0.044	1.5
		E/4 @ +2.892			1009	2 PL10*200	S235JR	410	0.265	9.6
					1012	1 PL10*150	S235JR	156	0.038	1.3
					1013	1 PL10*131	S235JR	172	0.039	1.3
					1018	1 PL5*120	S235JR	120	0.031	0.6
					1019	1 PL5*60	S235JR	120	0.009	0.1
					b/4	1 CFRHS100X100X4	S235JR	424	0.164	5.0
					c/2	1 IPE200	S235JR	2796	2.147	62.5
TOTALS:		AREA EACH:	3.01 m ²	AREA ALL:	12.02 m ²	WEIGHT EACH:	0.10 T	WEIGHT ALL:	0.40 T	



POROSITESI : BASHKIA MAT

Objekti: "STUDIM PROJEKTIM I RRJETIT TE KANALIZIMEVE NE ZONAT PERIFERIKE TE QYTETIT BURREL"

Emertimi: Detaje

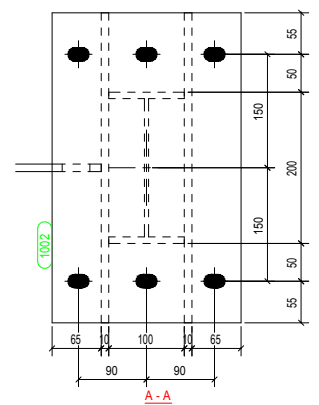
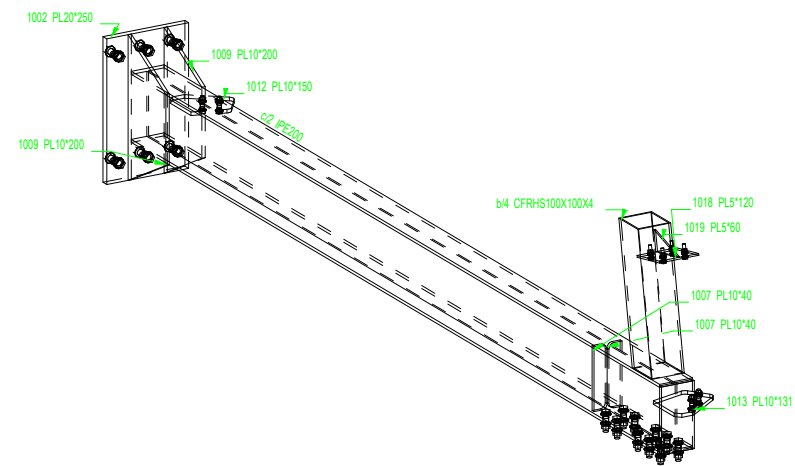
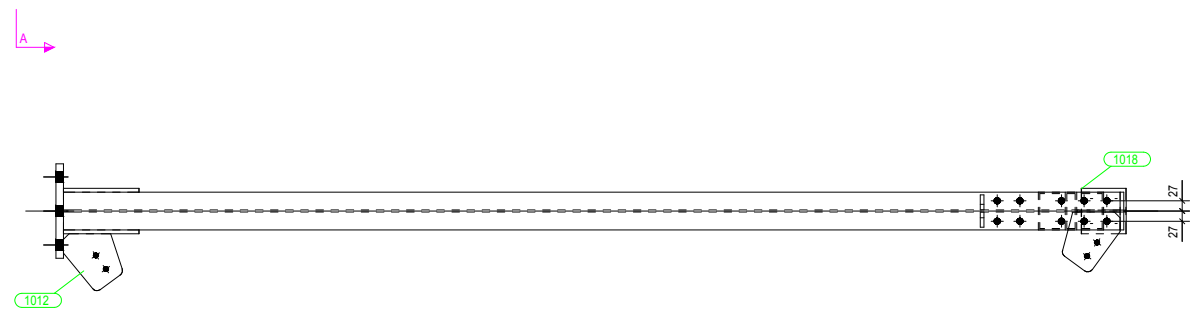
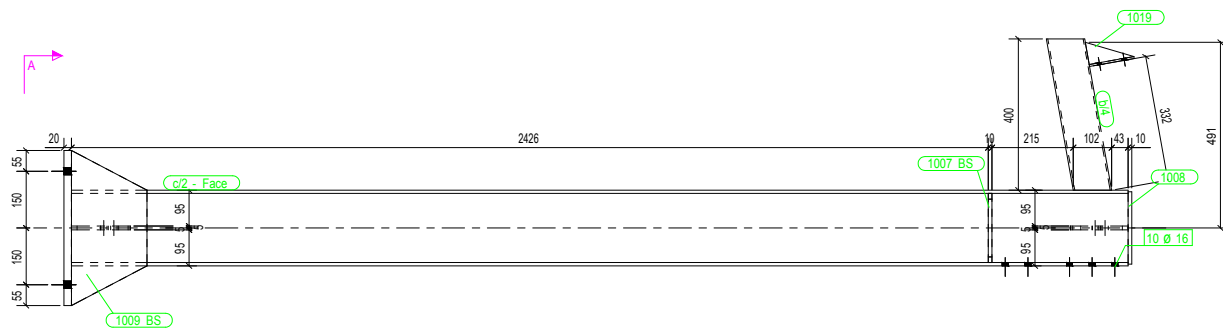
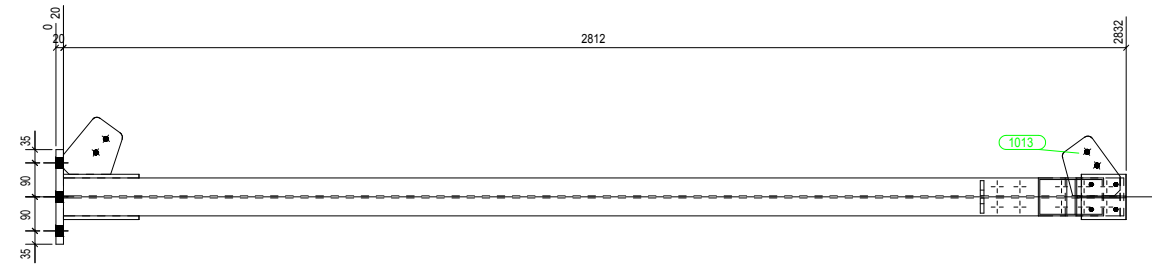
"Arabel - Studio" Sh.p.k	"Infrakonsult" Sh.p.k	"Net-Group" Sh.p.k

Projektues

Nd.Shemi Sulejmani	Nd.Illirjan Kokalari	Hidr.Luljeta Koci	Ark.Irida Troti	Elek.Attin Alikaj	Gjeoteknik. Artjon Jani
Nd.Lefter Shembitraku	Hidr.Arben Prendi	Gjeod.Myzaferë Kallabaku	Ark.Diana Mitrushi	Mek.Bujar Struga	Gjeolog. Besnik Hykaj
Nd.Sokol Metoja	Hidr.Redë Struga	Gjeod.Iv Beqari	Ark.Rigert Hyra	Mek.Bujar Meraj	
Nd.Ermal Spahiu	Hidr.Hajredin Murgu	Gjeod.Shqiponja Civici	Elek.Burhan Demberi	Mek. Gjergji Kotori	

SHKALLA	FLETA
1- 500	1- 01
Mat 2021	Format A3

PHASE	QTY	GRID LOCATION	PRELIM	MARK	QTY	PROFILE	GRD	LENGTH	AREA (m ²)	WEIGHT (kg)
3	4	A1 @ +2.892		1002	1	PL20*250	S235JR	410	0.231	16.1
		A4 @ +2.892		1007	2	PL10*40	S235JR	183	0.038	1.1
		E2 @ +2.892		1008	1	PL10*100	S235JR	192	0.044	1.5
		E5 @ +2.892		1009	2	PL10*200	S235JR	410	0.265	9.6
				1012	1	PL10*150	S235JR	156	0.038	1.3
				1013	1	PL10*131	S235JR	172	0.039	1.3
				1018	1	PL5*120	S235JR	120	0.031	0.6
				1019	1	PL5*60	S235JR	120	0.009	0.1
				b/4	1	CFRHS100X100X4	S235JR	424	0.164	5.0
				c/2	1	IPE200	S235JR	2796	2.147	62.5
TOTALS			AREA EACH:	3.01 m ²	AREA ALL:	12.02 m ²	WEIGHT EACH:	0.10 T	WEIGHT ALL:	0.40 T



POROSITESI : BASHKIA MAT

Objekti: "STUDIM PROJEKTIM I RRJETIT TE KANALIZIMEVE NE ZONAT PERIFERIKE TE QYTETIT BURREL"

Emertimi: Detaje te mbuleses metalike

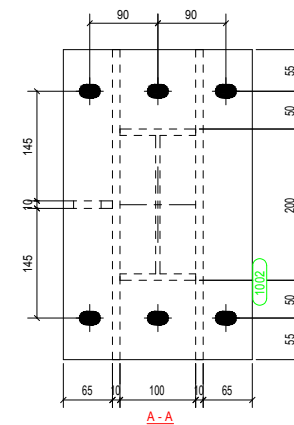
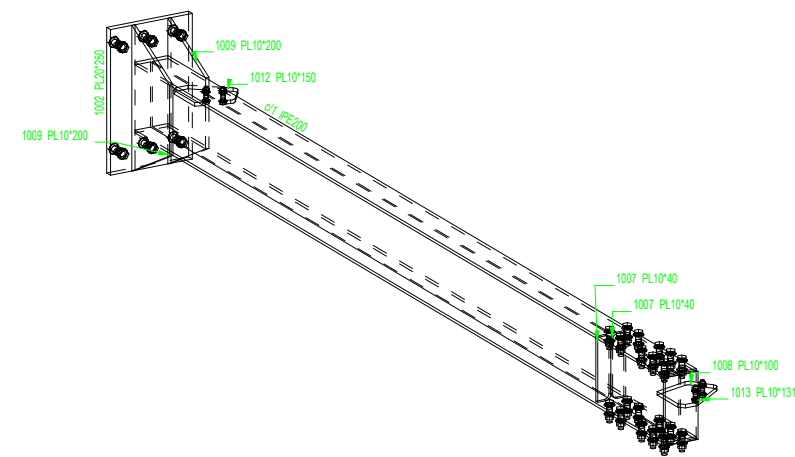
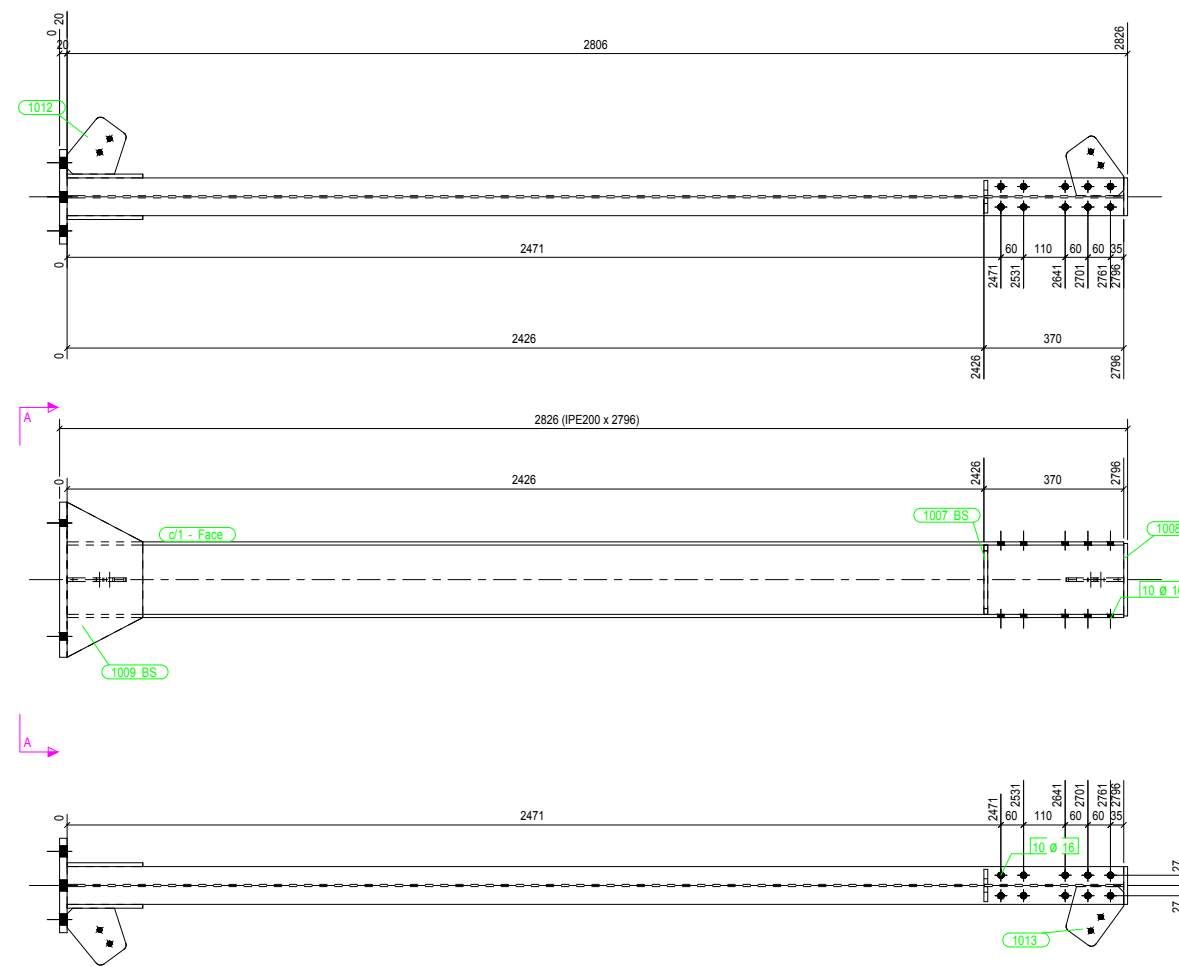
"Arabel - Studio" Sh.p.k	"Infrakonsult" Sh.p.k	"Net-Group" Sh.p.k

Projektues

Nd.Shemsi Sulejmani	Nd.Illirjan Kokalari	Hidr.Luljeta Koci	Ark.Irida Troti	Elek.Attin Allkaj	Gjeoteknik. Artjon Jani
Nd.Lefter Shembiraku	Hidr.Arben Prendi	Gjeod.Myzafere Kallabaku	Ark.Diana Mitrushu	Mek.Bujar Struga	Gjeolog. Besnik Hykaj
Nd.Sokol Metoja	Hidr.Redi Struga	Gjeod.Iv Beqari	Ark.Rigert Hyra	Mek.Bujar Meraj	
Nd.Ermal Spahiu	Hidr.Hajredin Murgu	Gjeod.Shqiponja Civici	Elek.Burhan Demberi	Mek. Gjergji Kotoni	

SHKALLA	FLETA
1- 500	1- 01
Mat 2021	Format A3

PHASE	QTY	GRID LOCATION	PRELIM	MARK	QTY	PROFILE	GRD	LENGTH	AREA (m ²)	WEIGHT (kg)		
3	12	B/1 @ +2.886		1002	1	PL20*250	S235JR	410	0.231	16.1		
		B/2 @ +2.886		1007	2	PL10*40	S235JR	183	0.038	1.1		
		B/4 @ +2.886		1008	1	PL10*100	S235JR	192	0.044	1.5		
		B/5 @ +2.886		1009	2	PL10*200	S235JR	410	0.265	9.6		
		C/1 @ +2.886		1012	1	PL10*150	S235JR	156	0.038	1.3		
		C/2 @ +2.886		1013	1	PL10*131	S235JR	172	0.039	1.3		
		D/1 @ +2.886		c/1	1	IPE200	S235JR	2796	2.147	62.5		
		D/2 @ +2.886		TOTALS	AREA EACH:	2.80 m ²	AREA ALL:	33.62 m ²	WEIGHT EACH:	0.09 T	WEIGHT ALL:	1.12 T
		D/4 @ +2.886										
		D/5 @ +2.886										



POROSITESI : BASHKIA MAT

Objekti: "STUDIM PROJEKTIM I RRJETIT TE KANALIZIMEVE NE ZONAT PERIFERIKE TE QYTETIT BURREL"

Emertimi: Detaje te mbuleses metalike

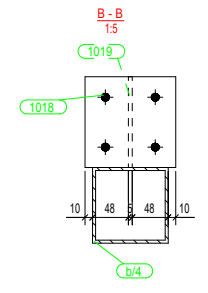
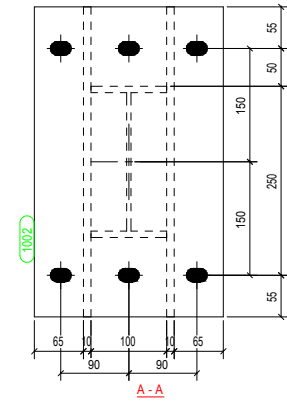
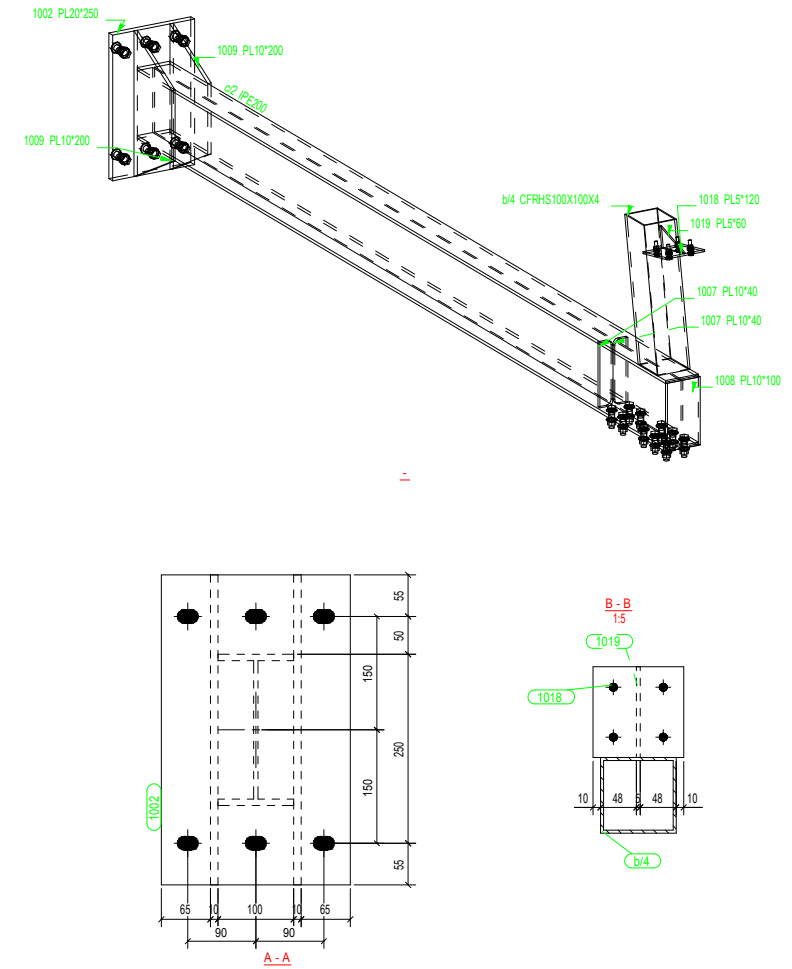
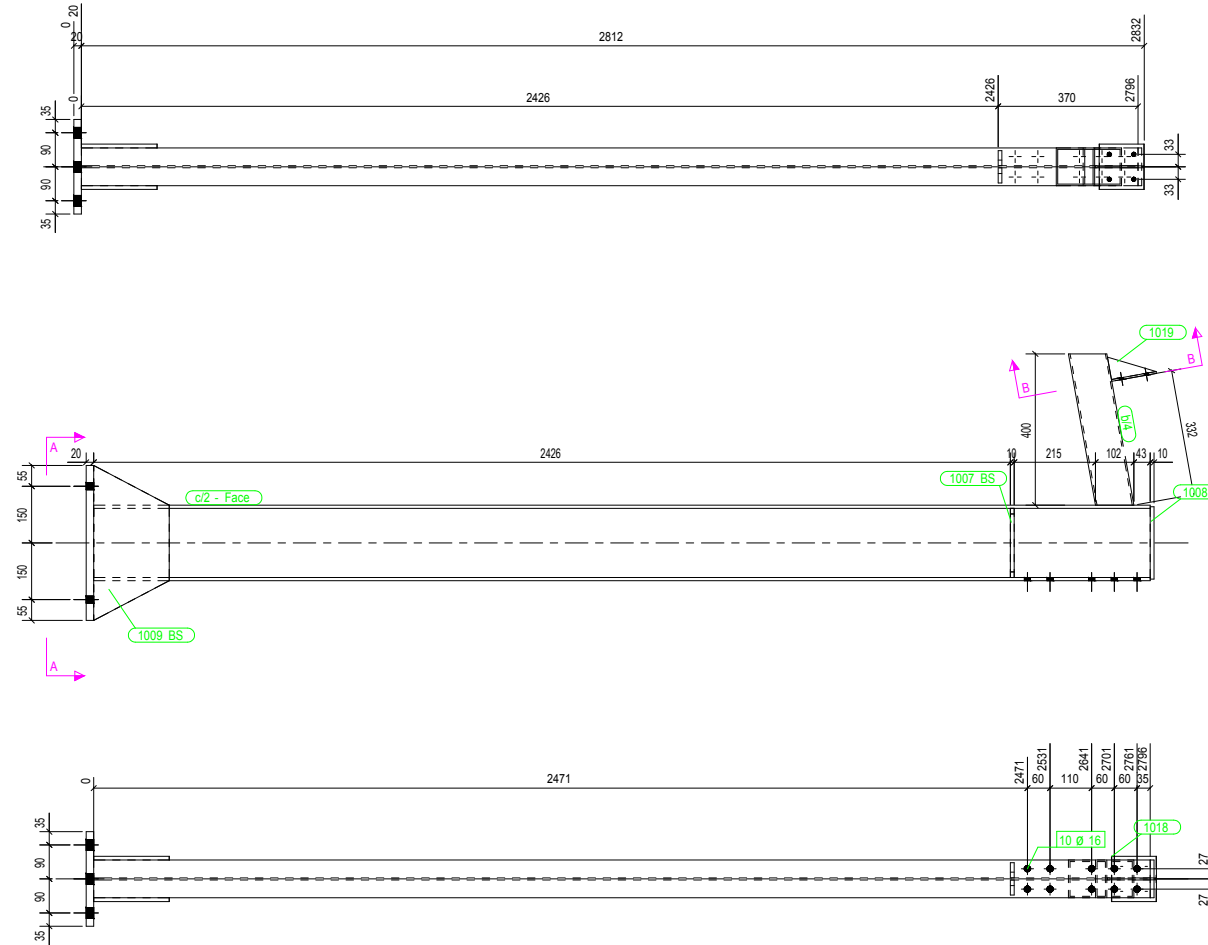
"Arabel - Studio" Sh.p.k	"Infrakonsult" Sh.p.k	"Net-Group" Sh.p.k

Projektues

Nd.Shemsi Sulejmani	Nd.Illirjan Kokalari	Hidr.Luljeta Koci	Ark.Irida Troti	Elek.Attin Allikaj	Gjeoteknik. Artjon Jani
Nd.Lefter Shembitraku	Hidr.Arben Prendi	Gjeod.Myzafere Kallabaku	Ark.Diana Mitrushu	Mek.Bujar Struga	Gjeolog. Besnik Hykaj
Nd.Sokol Metoja	Hidr.Redu Struga	Gjeod.Iv Beqari	Ark.Rigert Hyra	Mek.Bujar Meraj	
Nd.Ermal Spahiu	Hidr.Hajredin Murgu	Gjeod.Shqiponja Civici	Elek.Burhan Demberi	Mek. Gjergji Kotori	

SHKALLA	FLETA
1- 500	1- 01
Mat 2021	Format A3

PHASE	QTY	GRID LOCATION	PRELIM	MARK	QTY	PROFILE	GRD	LENGTH	AREA (m ²)	WEIGHT (kg)					
3	2	A/3 @ +2.892		1002	1	PL20*250	S235JR	410	0.231	16.1					
		E/3 @ +2.892		1007	2	PL10*40	S235JR	183	0.038	1.1					
				1008	1	PL10*100	S235JR	192	0.044	1.5					
				1009	2	PL10*200	S235JR	410	0.265	9.6					
				1018	1	PL5*120	S235JR	120	0.031	0.6					
				1019	1	PL5*60	S235JR	120	0.009	0.1					
				b/4	1	CFRHS100X100X4	S235JR	424	0.164	5.0					
				c/2	1	IPE200	S235JR	2796	2.147	62.5					
TOTALS:								AREA EACH:	2.93 m ²	AREA ALL:	5.86 m ²	WEIGHT EACH:	0.10 T	WEIGHT ALL:	0.19 T



POROSITESI : BASHKIA MAT
 Objekti: "STUDIM PROJEKTIM I RRJETIT TE KANALIZIMEVE NE ZONAT PERIFERIKE TE QYTETIT BURREL"

Emertimi: Detaje te mbuleses metalike

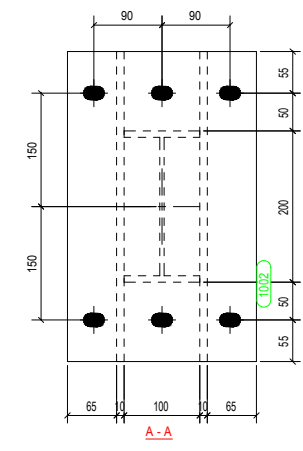
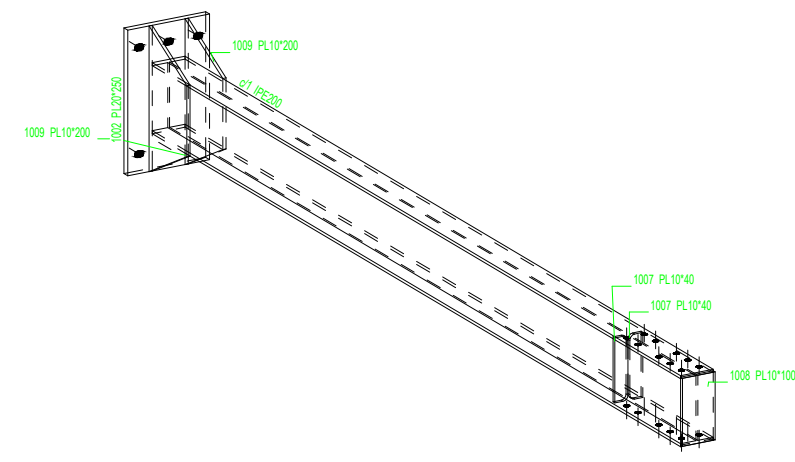
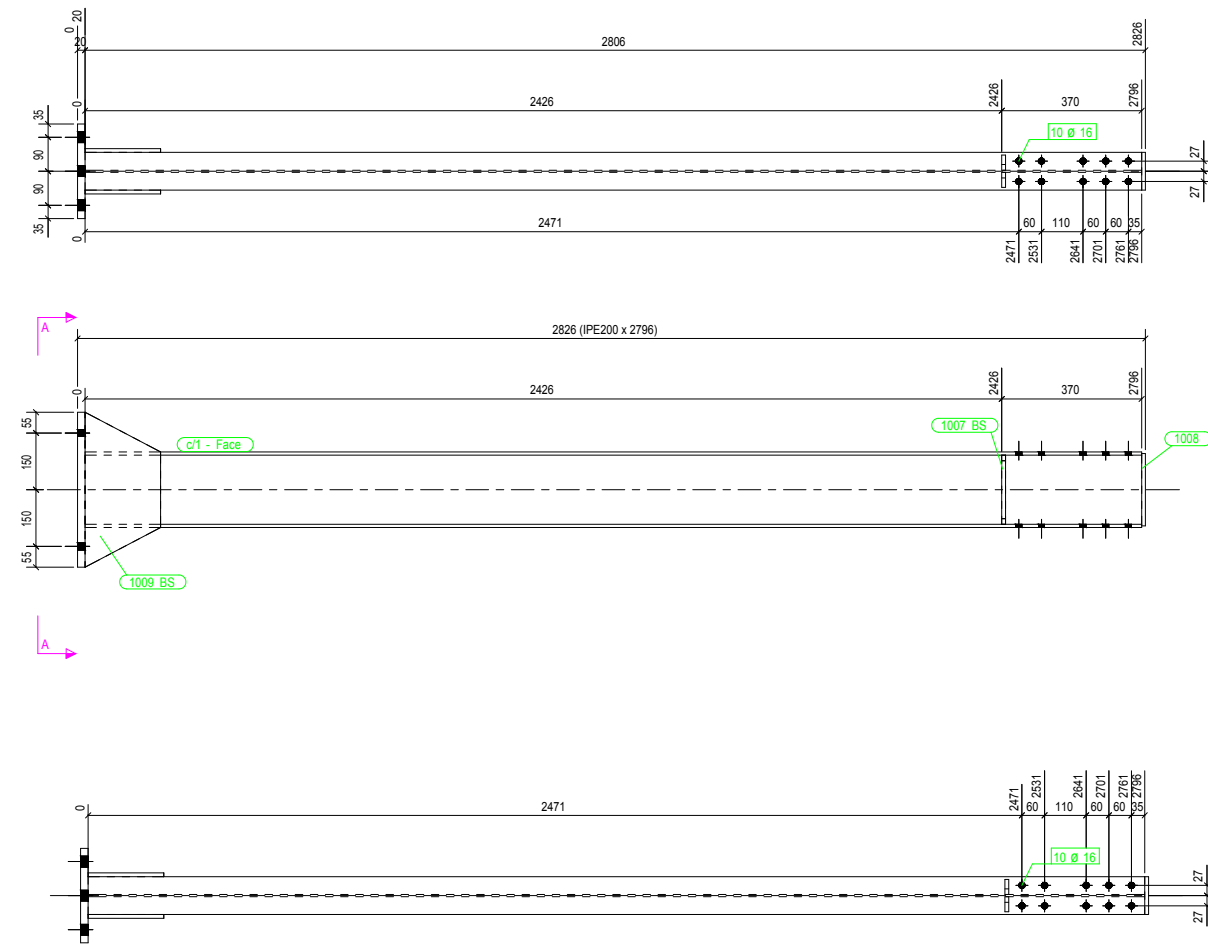
"Arabel - Studio" Sh.p.k	"InfraKonsult" Sh.p.k	"Net-Group" Sh.p.k

Projektues

Nd. Shemi Sulejmani	Nd. Ilirjan Kokalari	Hidr. Luljeta Koci	Ark. Irida Troti	Elek. Altin Allkaj	Gjeoteknik. Artjon Jani
Nd. Lefter Shembitraku	Hidr. Arben Prendi	Gjeod. Myzafer Kallabaku	Ark. Diana Mitrush	Mek. Bujar Struga	Gjeolog. Besnik Hykaj
Nd. Sokol Metoja	Hidr. Redi Struga	Gjeod. Iv Beqari	Ark. Rigert Hyra	Mek. Bujar Meraj	
Nd. Ermal Spahiu	Hidr. Hajredin Murgu	Gjeod. Shqiponja Civici	Elek. Burhan Demberi	Mek. Gjergji Kotori	

SHKALLA	FLETA
1- 500	1- 01
Mat 2021	Format A3

PHASE	QTY	GRID LOCATION	PRELIM	MARK	QTY	PROFILE	GRD	LENGTH	AREA (m ²)	WEIGHT (kg)
3	3	B/3 @ +2.886		1002	1	PL20*250	S235JR	410	0.231	16.1
		C/3 @ +2.886		1007	2	PL10*40	S235JR	183	0.038	1.1
		D/3 @ +2.886		1008	1	PL10*100	S235JR	192	0.044	1.5
				1009	2	PL10*200	S235JR	410	0.265	9.6
				c/1	1	IPE200	S235JR	2796	2.147	62.5
TOTALS:			AREA EACH:	2.73 m ²	AREA ALL:	8.18 m ²	WEIGHT EACH:	0.09 T	WEIGHT ALL:	0.27 T



POROSITESI : BASHKIA MAT

Objekti: "STUDIM PROJEKTIM I RRJETIT TE KANALIZIMEVE NE ZONAT PERIFERIKE TE QYTETIT BURREL"

Emertimi: Detaje te mbuleses metalike

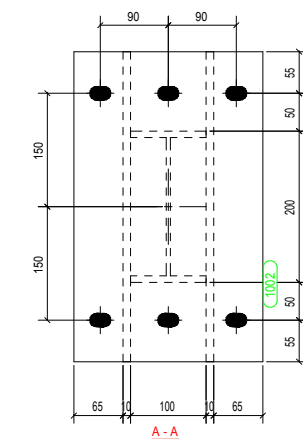
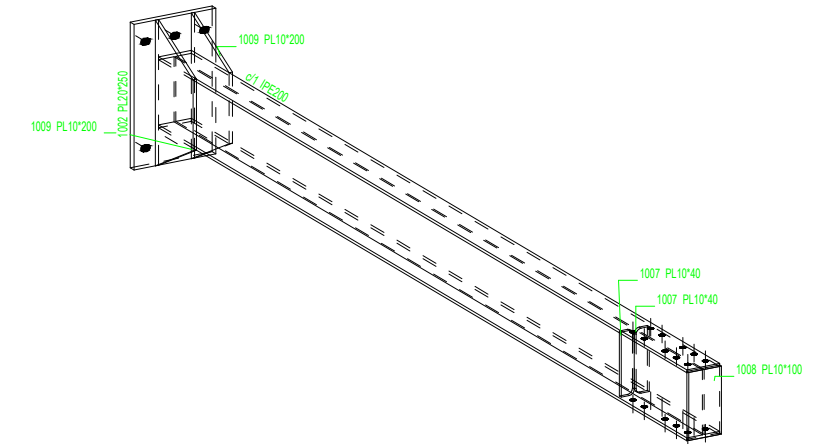
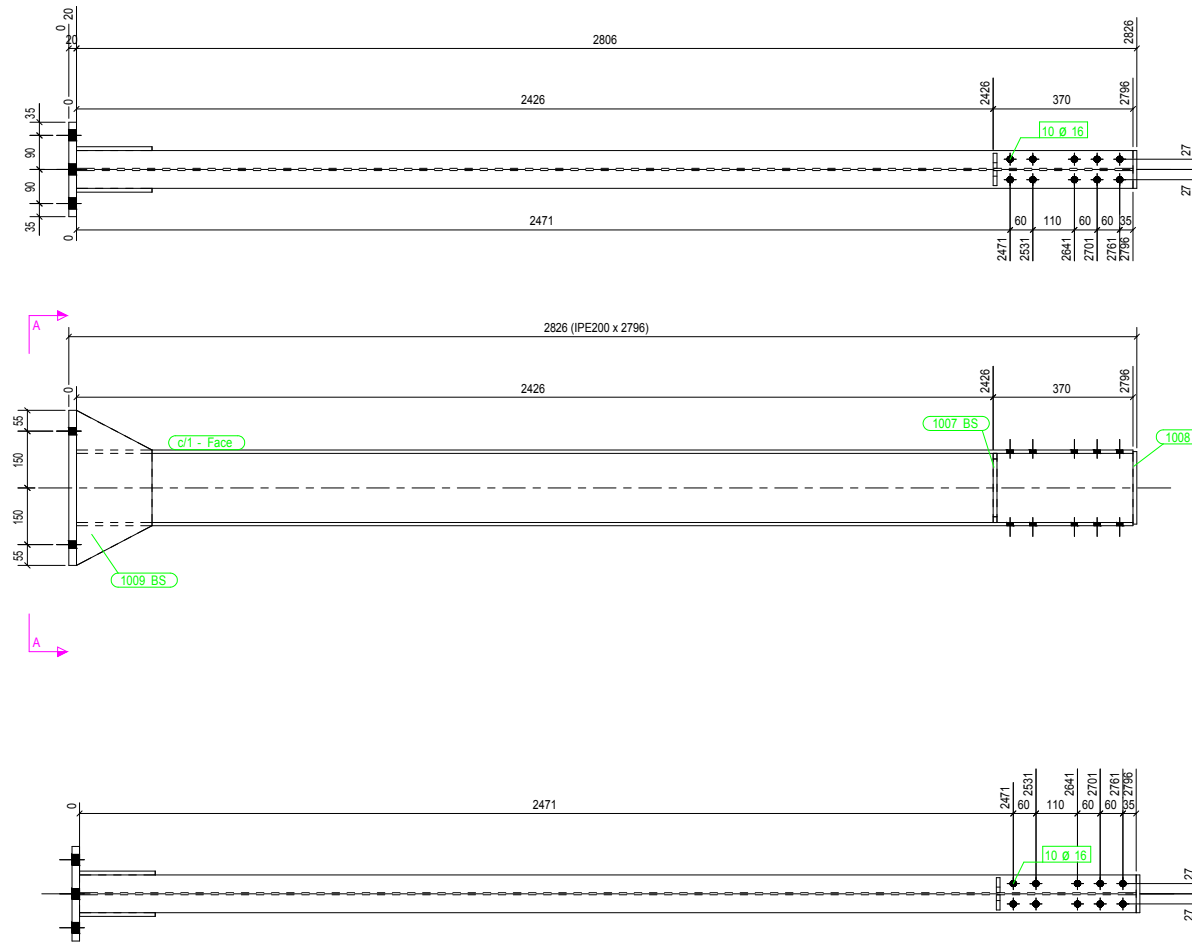
"Arabel - Studio" Sh.p.k	"InfraKonsult" Sh.p.k	"Net-Group" Sh.p.k

Projektues

Nd. Shemi Sulejmani	Nd. Ilirjan Kokalari	Hidr. Luljeta Koci	Ark. Irida Troti	Elek. Altin Allkaj	Gjeoteknik. Artjon Jani
Nd. Lefter Shembitraku	Hidr. Arben Prendi	Gjeod. Myzaferë Kallabaku	Ark. Diana Mitrushi	Mek. Bujar Struga	Gjeolog. Besnik Hykaj
Nd. Sokol Metoja	Hidr. Redi Struga	Gjeod. Iv Beqari	Ark. Rigert Hyra	Mek. Bujar Meraj	
Nd. Ermal Spahiu	Hidr. Hajredin Murgu	Gjeod. Shqiponja Civici	Elek. Burhan Demberi	Mek. Gjergji Kotori	

SHKALLA	FLETA
1 - 500	1 - 01
Mat 2021	Format A3

PHASE	QTY	GRID LOCATION	PRELIM	MARK	QTY	PROFILE	GRD	LENGTH	AREA (m ²)	WEIGHT (kg)
3	3	B/3 @ +2.886		1002	1	PL20*250	S235JR	410	0.231	16.1
		C/3 @ +2.886		1007	2	PL10*40	S235JR	183	0.038	1.1
		D/3 @ +2.886		1008	1	PL10*100	S235JR	192	0.044	1.5
				1009	2	PL10*200	S235JR	410	0.265	9.6
				c/1	1	IPE200	S235JR	2796	2.147	62.5
TOTALS:		AREA EACH:	2.73 m ²	AREA ALL:	8.18 m ²	WEIGHT EACH:	0.09 T	WEIGHT ALL:	0.27 T	



POROSITESI : BASHKIA MAT

Objekti: "STUDIM PROJEKTIM I RRJETIT TE KANALIZIMEVE NE ZONAT PERIFERIKE TE QYTETIT BURREL"

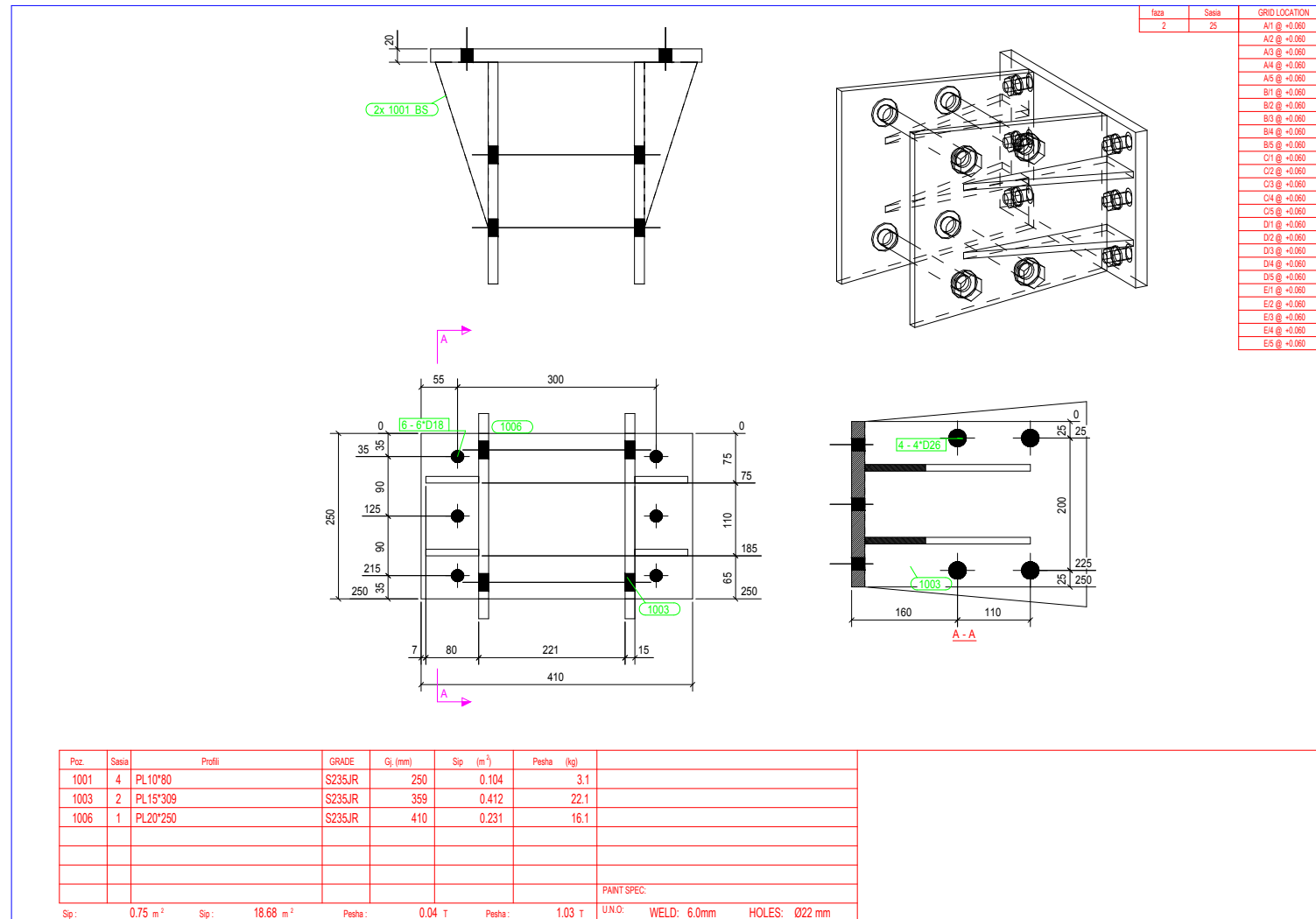
Emertimi: Detaje te mbuleses metalike

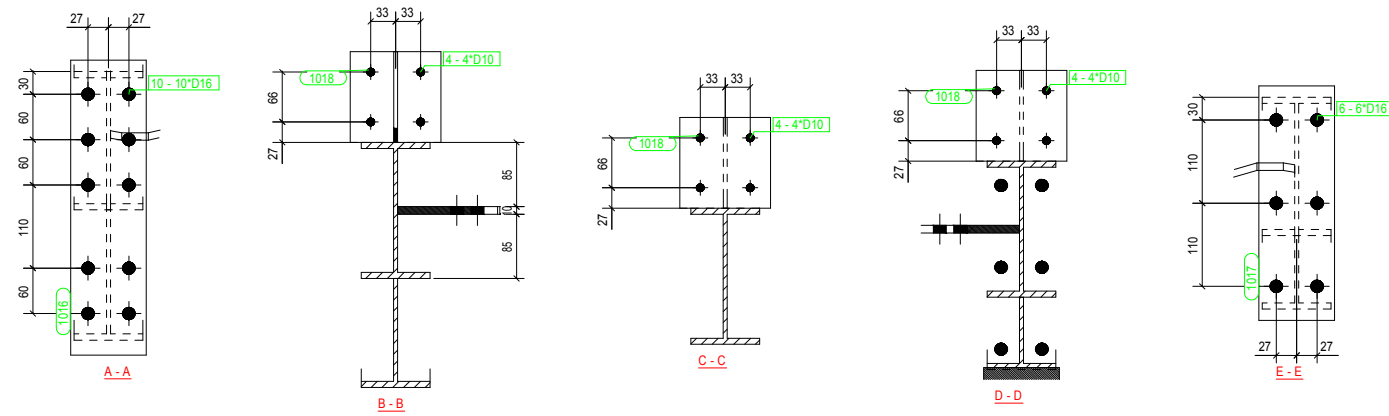
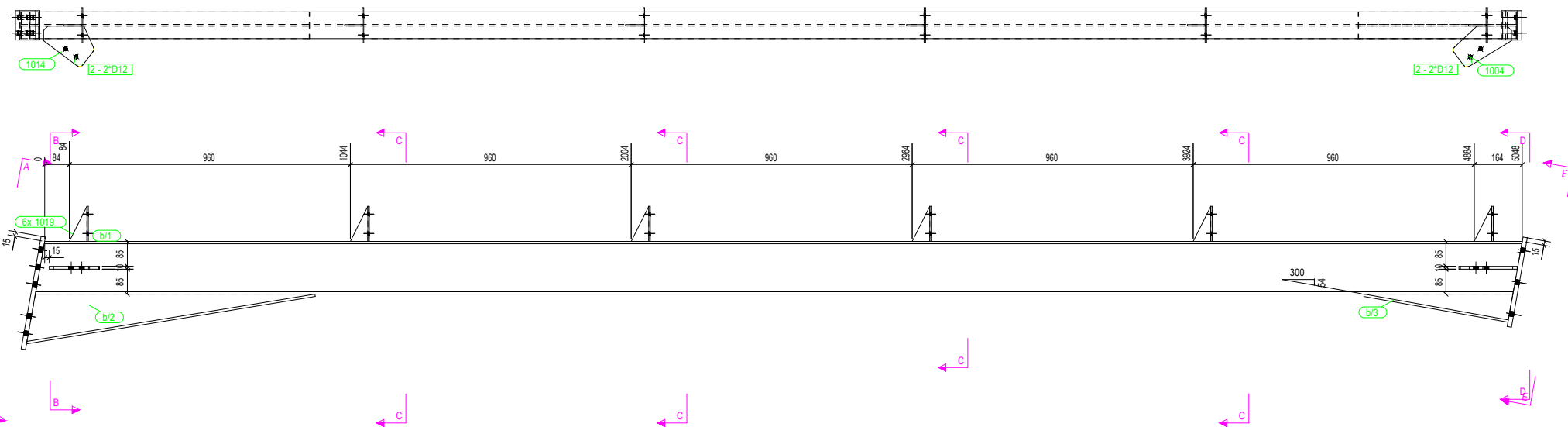
"Arabel - Studio" Sh.p.k	"Infrakonsult" Sh.p.k	"Net-Group" Sh.p.k

Projektues

Nd. Shemsi Sulejmani	Nd. Ilirjan Kokalari	Hidr. Luljeta Koci	Ark. Irida Troti	Elek. Altin Allkaj	Gjeoteknik. Artjon Jani
Nd. Lefter Shembitraku	Hidr. Arben Prendi	Gjeod. Myzafer Kallabaku	Ark. Diana Mitrushi	Mek. Bujar Struga	Gjeolog. Besnik Hykaj
Nd. Sokol Metoja	Hidr. Redi Struga	Gjeod. Iv Beqari	Ark. Rigert Hyra	Mek. Bujar Meraj	
Nd. Ermal Spahiu	Hidr. Hajredin Murgu	Gjeod. Shqiponja Civici	Elek. Burhan Demberi	Mek. Gjergji Kotori	

SHKALLA	FLETA
1 - 500	1 - 01
Mat 2021	Format A3





PHASE	QTY	GRID LOCATION	PRELIM	MARK	QTY	PROFILE	GRD	LENGTH	AREA (m ²)	WEIGHT (kg)
4	8	A-B/1 @ +3.858		1004	1	PL10*139	S235JR	199	0.039	1.3
		A-B/5 @ +3.858		1014	1	PL10*138	S235JR	171	0.037	1.3
		B-C/1 @ +3.858		1016	1	PL15*100	S235JR	390	0.093	4.6
		C-D/1 @ +3.858		1017	1	PL15*100	S235JR	310	0.074	3.7
		C-D/5 @ +3.858		1018	6	PL5*120	S235JR	120	0.187	3.4
		D-E/1 @ +3.858		1019	6	PL5*60	S235JR	120	0.053	0.8
		D-E/5 @ +3.858		b/1	1	IPE180	S235JR	5081	3.546	95.3
				b/2	1	IPE180	S235JR	1000	0.698	18.8
				b/3	1	IPE180	S235JR	500	0.349	9.4
TOTALS:		AREA EACH:	5.08 m ²	AREA ALL:	40.61 m ²	WEIGHT EACH:	0.14 T	WEIGHT ALL:	1.11 T	

8 BEAMS REQ'D AS DRAWN MK'D B/1

ISSUED FOR APPROVAL	REV.	DATE	DESCRIPTION	REV.	DATE	DESCRIPTION	APPROVALS				FABRICATOR RELEASE TO SHOP FOR FABRICATION	NOTES:
							ARCHITECT	ENGINEER	CONTRACTOR	OTHER		
DATE:							Approved By:	Approved By:	Approved By:	Approved By:	Released By:	
							DATE:	DATE:	DATE:	DATE:	DATE:	

PROJECT	< Nome Progetto >
LOCATION	< Indirizzo >
DETAIL OF	< Oggetto >
CONTRACTOR	< Costruttore >
ARCHITECT	< Disegnatore >
REVISION	
HOLE	Ø22.0mm
PAINT	
DRAWN	
CHECKED	
CONTRACT NO.	0
DRAWING NO.	B/1

POROSITESI : BASHKIA MAT
 Objekti: "STUDIM PROJEKTIM I RRJETIT TE KANALIZIMEVE NE ZONAT PERIFERIKE TE QYTETIT BURREL"

Emertimi: TRAU NR 1

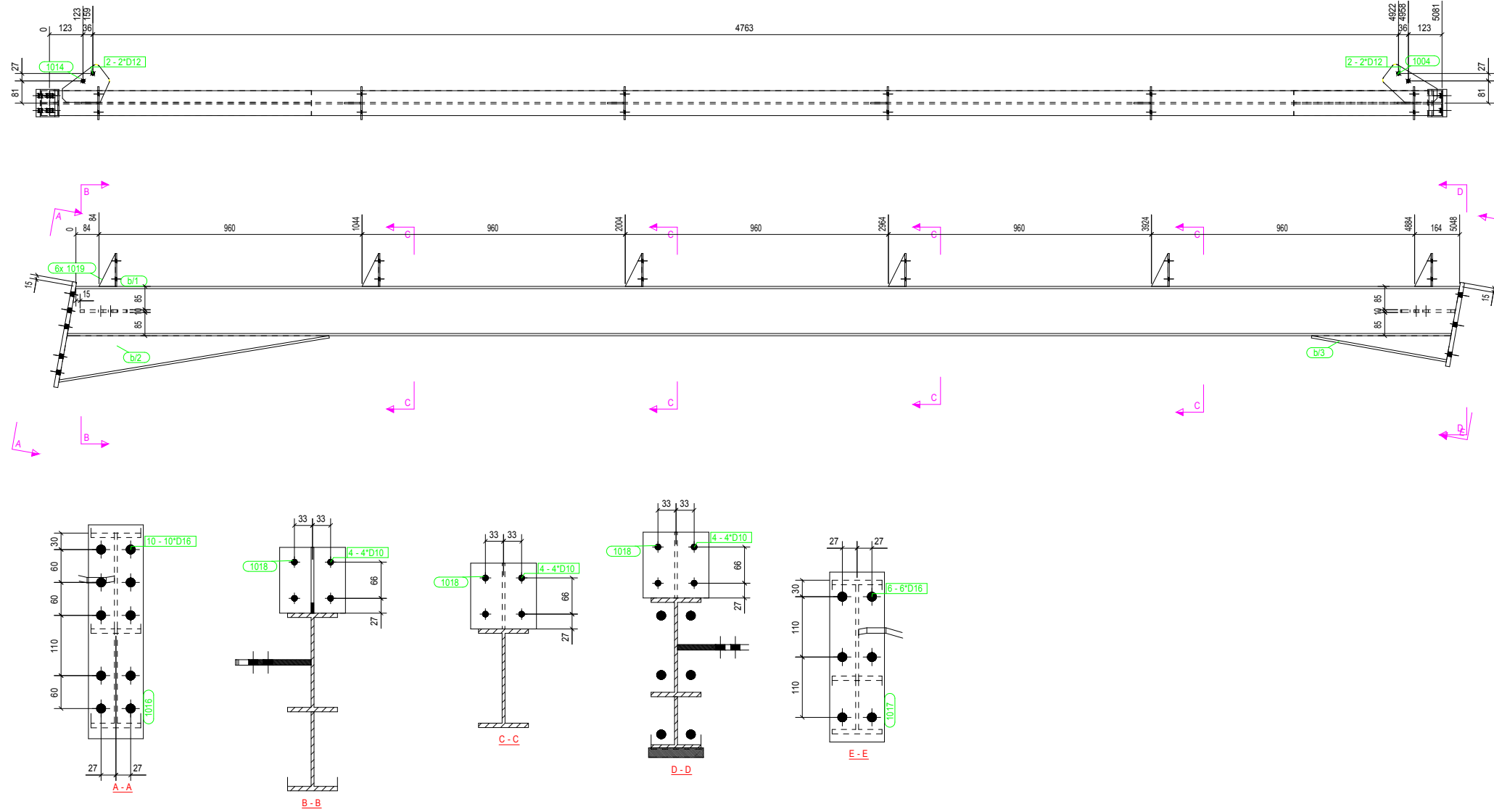
"Arabel - Studio" Sh.p.k	"InfraKonsult" Sh.p.k	"Net-Group" Sh.p.k

Projektues

Nd.Shemsi Sulejmani	Nd.Ilirjan Kokalari	Hidr.Luljeta Koci	Ark.Irida Troti	Elek.Altin Alikaj	Gjeoteknik. Artjon Jani
Nd.Lefter Shembitraku	Hidr.Arben Prendi	Gjeod.Myzafere Kallabaku	Ark.Diana Mitrusi	Mek.Bujar Struga	Gjeolog. Besnik Hykaj
Nd.Sokol Metoja	Hidr.Redii Struga	Gjeod.Iv Beqari	Ark.Rigert Hyra	Mek.Bujar Meraj	
Nd.Ermal Spahiu	Hidr.Hajredin Murgu	Gjeod.Shqiponja Civici	Elek.Burhan Demberi	Mek. Gjergji Kotori	

SHKALLA	FLETA
1- 500	1- 01
Mat 2021	Format A3

PHASE	QTY	GRID LOCATION	PRELIM	MARK	QTY	PROFILE	GRD	LENGTH	AREA (m ²)	WEIGHT (kg)				
4	8	A-B/1 @ +3.858		1004	1	PL10*139	S235JR	199	0.039	1.3				
		A-B/5 @ +3.858		1014	1	PL10*138	S235JR	171	0.037	1.3				
		B-C/1 @ +3.858		1016	1	PL15*100	S235JR	390	0.093	4.6				
		C-D/1 @ +3.858		1017	1	PL15*100	S235JR	310	0.074	3.7				
		C-D/5 @ +3.858		1018	6	PL5*120	S235JR	120	0.187	3.4				
		D-E/1 @ +3.858		1019	6	PL5*60	S235JR	120	0.053	0.8				
		D-E/5 @ +3.858		b/1	1	IPE180	S235JR	5081	3.546	95.3				
				b/2	1	IPE180	S235JR	1000	0.698	18.8				
				b/3	1	IPE180	S235JR	500	0.349	9.4				
TOTALS:							AREA EACH:	5.08 m ²	AREA ALL:	40.61 m ²	WEIGHT EACH:	0.14 T	WEIGHT ALL:	1.11 T



POROSITESI : BASHKIA MAT

Objekti: "STUDIM PROJEKTIM I RRJETIT TE KANALIZIMEVE NE ZONAT PERIFERIKE TE QYTETIT BURREL"

Emertimi: TRAU NR 2

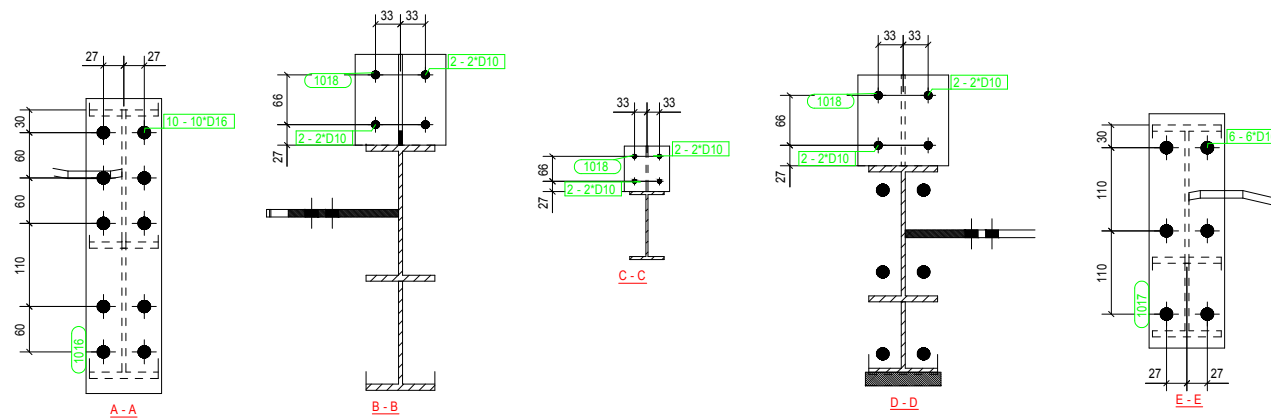
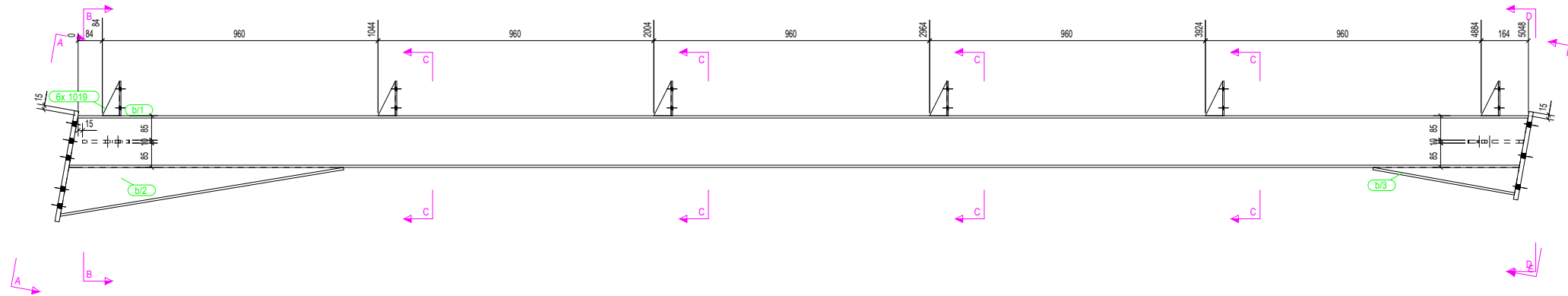
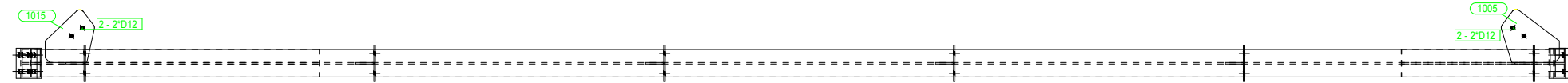
"Arabel - Studio" Sh.p.k	"InfraKonsult" Sh.p.k	"Net-Group" Sh.p.k

Projektues

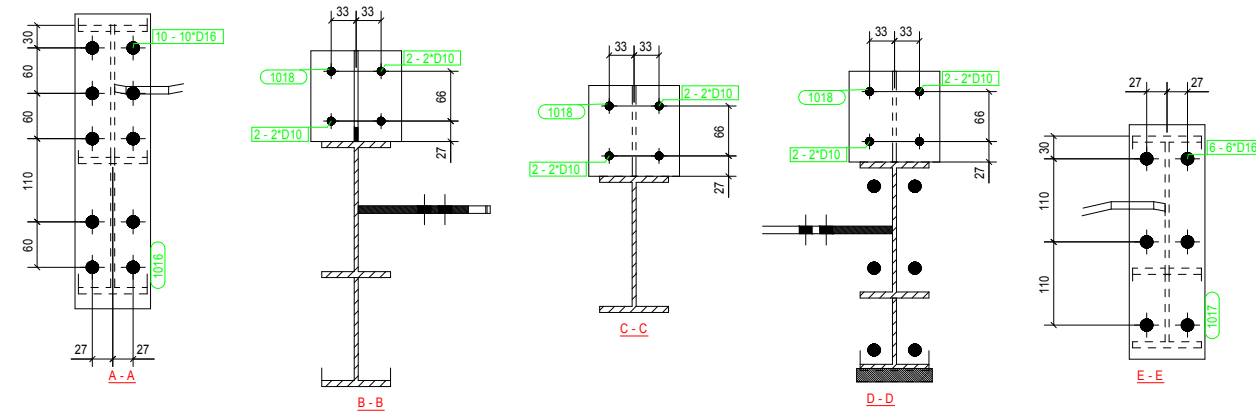
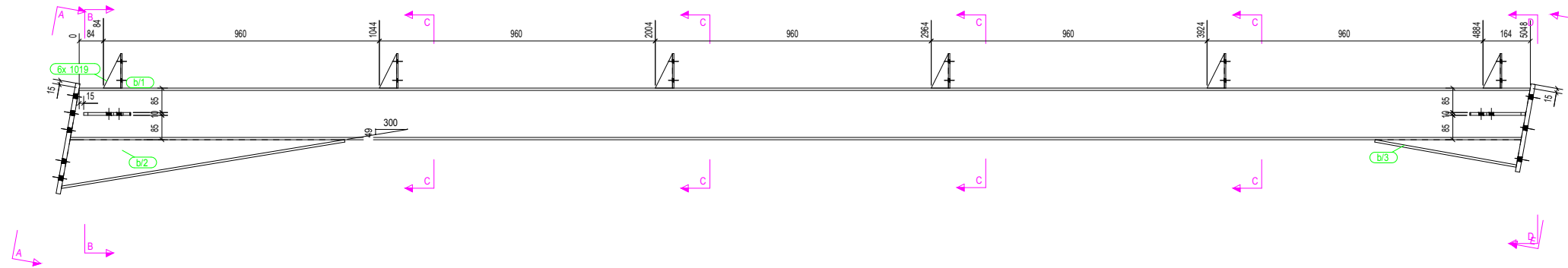
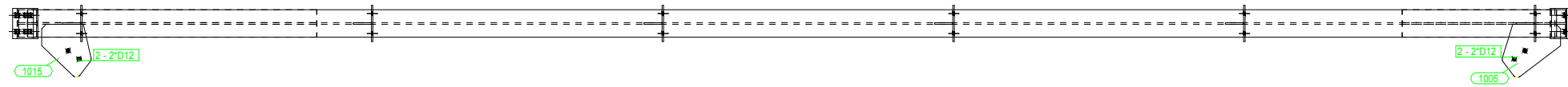
Nd.Shemsi Sulejmani	Nd.Ilirjan Kokalari	Hidr.Luljeta Koci	Ark.Irida Troti	Elek.Altin Allkaj	Gjeoteknik. Artjon Jani
Nd.Lefter Shembitraku	Hidr.Arben Prendi	Gjeod.Myzafer Kallabaku	Ark.Diana Mitrushu	Mek.Bujar Struga	Gjeolog. Besnik Hykaj
Nd.Sokol Metoja	Hidr.Redi Struga	Gjeod.Iv Beqari	Ark.Rigert Hyra	Mek.Bujar Meraj	
Nd.Ermal Spahiu	Hidr.Hajredin Murgu	Gjeod.Shqiponja Civici	Elek.Burhan Demberi	Mek. Gjergji Kotori	

SHKALLA	FLETA
1- 500	1- 01
Mat 2021	Format A3

PHASE	QTY	GRID LOCATION	PRELIM	MARK	QTY	PROFILE	GRD	LENGTH	AREA (m ²)	WEIGHT (kg)
4	8	A-B/2 @ +3.858		1005	1	PL10*152	S235JR	217	0.053	1.8
		A-B/4 @ +3.858		1015	1	PL10*175	S235JR	163	0.046	1.6
		B-C/2 @ +3.858		1016	1	PL15*100	S235JR	390	0.093	4.6
		C-D/2 @ +3.858		1017	1	PL15*100	S235JR	310	0.074	3.7
		D-E/2 @ +3.858		1018	6	PL5*120	S235JR	120	0.187	3.4
		D-E/4 @ +3.858		1019	6	PL5*60	S235JR	120	0.053	0.8
		b/1	1	IPE180	S235JR	5081	3.546	95.3		
		b/2	1	IPE180	S235JR	1000	0.698	18.8		
b/3	1	IPE180	S235JR	500	0.349	9.4				
TOTALS:			AREA EACH:	5.10 m ²	AREA ALL:	40.79 m ²	WEIGHT EACH:	0.14 T	WEIGHT ALL:	1.11 T



FAZA	SASIA	POZICIONIMI	POZ.	SASIA	PROFILI	GRD	GJATESIA	SIP (m ²)	PESHA (kg)
4	8	A-B/2 @ +3.858	1005	1	PL10*152	S235JR	217	0.053	1.8
		A-B/4 @ +3.858	1015	1	PL10*175	S235JR	163	0.046	1.6
		B-C/2 @ +3.858	1016	1	PL15*100	S235JR	390	0.093	4.6
		C-D/2 @ +3.858	1017	1	PL15*100	S235JR	310	0.074	3.7
		C-D/4 @ +3.858	1018	6	PL5*120	S235JR	120	0.187	3.4
		D-E/2 @ +3.858	1019	6	PL5*60	S235JR	120	0.053	0.8
		D-E/4 @ +3.858	b/1	1	IPE180	S235JR	5081	3.546	95.3
			b/2	1	IPE180	S235JR	1000	0.698	18.8
	b/3	1	IPE180	S235JR	500	0.349	9.4		
TOTALS:		SIP/COPE	5.10 m ²	AREA ALL:	40.79 m ²	WEIGHT EACH:	0.14 T	WEIGHT ALL:	1.11 T



POROSITESI : BASHKIA MAT

Objekti: "STUDIM PROJEKTIM I RRJETIT TE KANALIZIMEVE NE ZONAT PERIFERIKE TE QYTETIT BURREL"

Emertimi: TRAU NR 4

"Arabel - Studio" Sh.p.k

"Infrakonsult" Sh.p.k

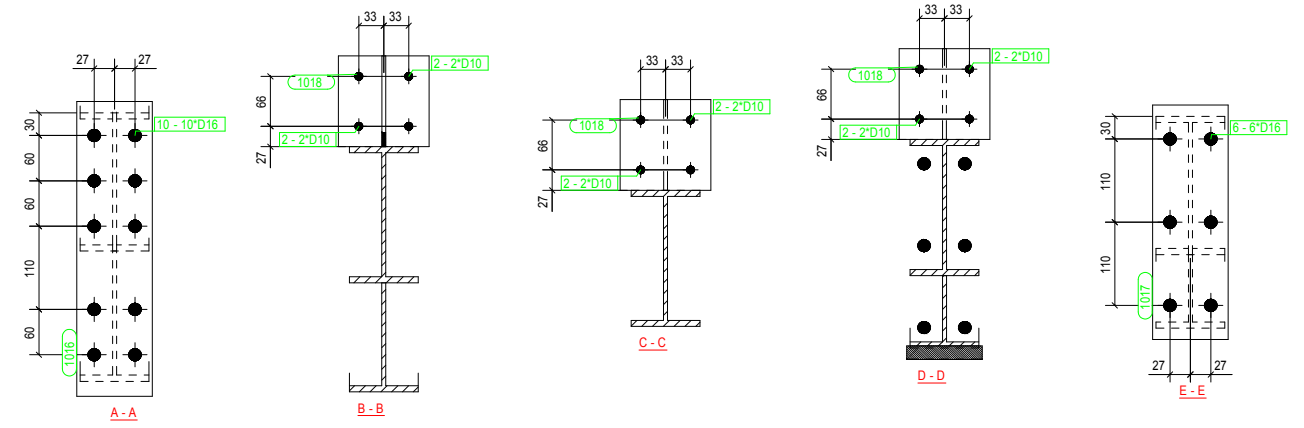
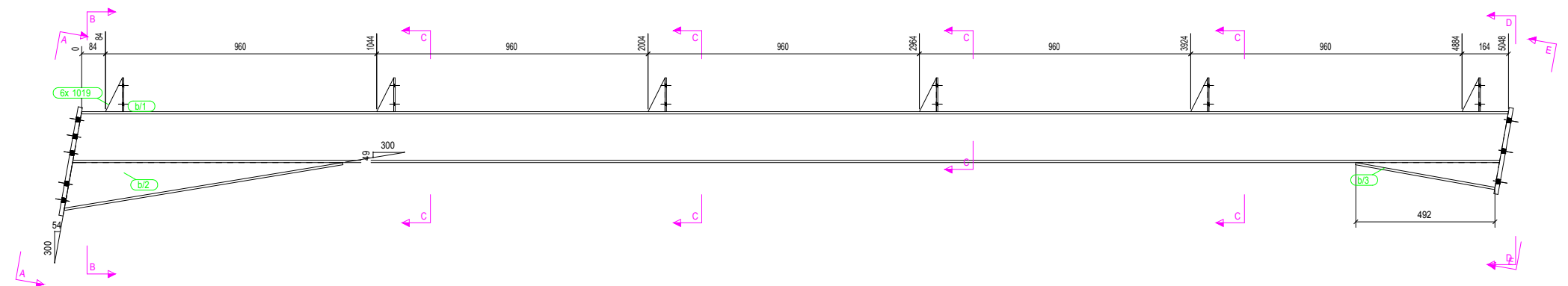
"Net-Group" Sh.p.k

Projektues

Nd.Shemsi Sulejmani	Nd.Ilirjan Kokalari	Hidr.Lujeta Koci	Ark.Irida Troti	Elek.Altin Allkaj	Gjeoteknik. Artjon Jani
Nd.Lefter Shembitraku	Hidr.Arben Prendi	Gjeod.Myzafer Kallabaku	Ark.Diana Mitrushu	Mek.Bujar Struga	Gjeolog. Besnik Hykaj
Nd.Sokol Metoja	Hidr.Redfi Struga	Gjeod.Iv Beqari	Ark.Rigert Hyra	Mek.Bujar Meraj	
Nd.Ermal Spahiu	Hidr.Hajredin Murgu	Gjeod.Shajponja Civici	Elek.Burhan Demberi	Mek. Gjergji Kotori	

SHKALLA	FLETA
1 - 500	1 - 01
Mat 2021	Format A3

FAZA	COPE	POZICIONIMI	POZ.	SASIA	PROFILE	GRD	GJASTESIA	SIP (m ²)	PESHA (kg)		
4	8	A-B/3 @ +3.858	1016	1	PL15*100	S235JR	390	0.093	4.6		
		B-C/3 @ +3.858	1017	1	PL15*100	S235JR	310	0.074	3.7		
		C-D/3 @ +3.858	1018	6	PL5*120	S235JR	120	0.187	3.4		
		D-E/3 @ +3.858	1019	6	PL5*60	S235JR	120	0.053	0.8		
			b/1	1	IPE180	S235JR	5081	3.546	95.3		
			b/2	1	IPE180	S235JR	1000	0.698	18.8		
			b/3	1	IPE180	S235JR	500	0.349	9.4		
TOTAL:		SIP/COPE	5.00 m ²		SIP/TOTALE	40.00 m ²		PESHA/COPE	0.14 T	PESHA/TOTALE	1.09 T



POROSITESI : BASHKIA MAT

Objekti: "STUDIM PROJEKTIM I RRJETIT TE KANALIZIMEVE NE ZONAT PERIFERIKE TE QYTETIT BURREL"

Emertimi: TRAU NR 5

"Arabel - Studio" Sh.p.k	"Infrakonsult" Sh.p.k	"Net-Group" Sh.p.k

Projektues

Nd.Shemsi Sulejmani	Nd.Ilirjan Kokalari	Hidr.Luljeta Koci	Ark.Irida Troti	Elek.Altin Alikaj	Gjeoteknik. Artjon Jani
Nd.Lefter Shembitraku	Hidr.Arben Prendi	Gjeod.Myzafere Kallabaku	Ark.Diana Mitrushu	Mek.Bujar Struga	Gjeolog. Besnik Hykaj
Nd.Sokol Metoja	Hidr.Redu Struga	Gjeod.Iv Beqari	Ark.Rigert Hyra	Mek.Bujar Meraj	
Nd.Ermal Spahiu	Hidr.Hajredin Murgu	Gjeod.Shqiponja Civici	Elek.Burhan Demberi	Mek. Gjergji Kotori	

SHKALLA	FLETA
1- 500	1- 01
Mat 2021	Format A3



BASHKIA MAT

PROJEKT ZBATIMI

IMPIANTI I TRAJTIMIT TE UJERAVE TE PERDORURA ,BURREL

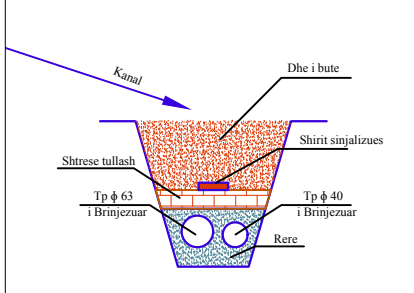
3.PROJEKTI ELEKTRIK

 POROSITESI : BASHKIA MAT Objekti: "STUDIM PROJEKTIM I RRJETIT TE KANALIZIMEVE NE ZONAT PERIFERIKE TE QYTETIT BURREL"	Emertimi: HOROGRAFIA			Projektues						SHKALLA	FLETA
	"Arabel - Studio" Sh.p.k 	"Infrakonsult " Sh.p.k 	"Net-Group " Sh.p.k 	Nd.Shemst Sulejmanl	Nd.Illirjan Kokalarl	Hidr.Lujeta Koci	Ark.Irlda Troli	Elek.Allin Allkaj	Gjeoteknik. Artjon Jani	1- 500	1- 01
			Nd.Lefter Shemliraku	Hidr.Arben Prendi	Gjeod.Myzafere Kalabaku	Ark.Diana Mitrushi	Mek.Bujar Struga	Gjeolog. Besnik Hykaj	Mat 2021		
			Nd.Sokol Metoja	Hidr.Redl Struga	Gjeod.Iv Beqari	Ark.Rlgert Hyra	Mek.Bujar Meraj				
			Nd.Ermal Spahiu	Hidr.Hajredin Murgu	Gjeod.Shajponja Civi	Elek.Burhan Demberi	Mek. Gjergji Kotori				



- LEGJENDA**
- | | |
|-------------------------------------|-----------------------------------|
| FAZA 1 | FAZA 2 |
| ① Tubi i Prurjes | ⑫ Rezervuari i Ruajtjes se Llumit |
| ② Njesia e Paratrajtit | ⑬ Stacioni i Ventilimit |
| ③ Tubi i Tejmbushur | ⑭ SBR |
| ④ Vaska Dekantuese | ⑮ Vaskat e Tharjes se Llumit |
| ⑤ Njesia Matese per tepricat e Ujit | |
| ⑥ Tubi i Daljes | |
| ⑦ Stacioni i Pranimit te Mbetjeve | |
| ⑧ Vaskat e Tharjes se Llumit | |
| ⑨ Zyra Operacionale | |
| ⑩ Gabina Elektrike | |
| ⑪ Sistemimet e Jashtme | |

KOSTO NE FUNKSIONIM	Pershkrim	
2 kW	Zyra + Ndricimi i Jashtem	A
0.5 kW	Stacioni i pranimit te feceve	B
1 kW	Njesia paratrajtuese	C
10 kW	Pompat e llumit	D
0.5 kW	Njesia e matjes ne dalje	F
14 kW	Sasia Totale gjate funksionimit te Impiantit	



LEGJENDA

SIMBOLI	EMERTIMI
	TUB KORROGATE phi 90
	PUSETE 60x60x80
	PUSETE 80x80x110

POROSITESI : BASHKIA MAT

Objekti: "STUDIM PROJEKTIM I RRJETIT TE KANALIZIMEVE NE ZONAT PERIFERIKE TE QYTETIT BURREL"

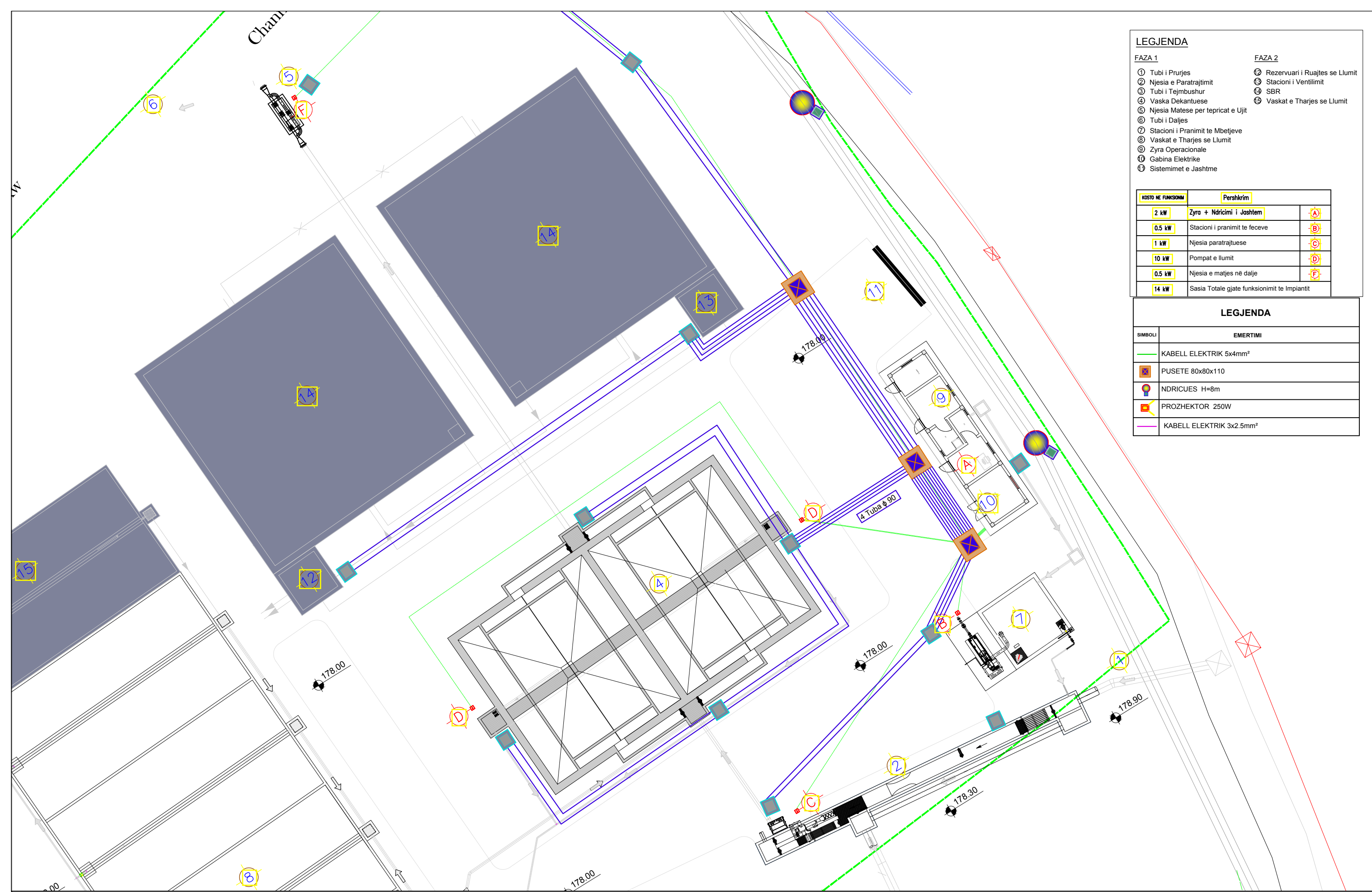
Emertimi: PROJEKTI ELEKTRIK

"Arabel - Studio" Sh.p.k	"InfraKonsult" Sh.p.k	"Net-Group" Sh.p.k

Projektues

Nd.Shemsi Sulejmani	Nd.Ilirjan Kokalari	Hidr.Luljeta Koci	Ark.Irida Troti	Elek.Altin Allkaj	Gjeoteknik. Artjon Jani
Nd.Lefter Shembitraku	Hidr.Arben Prendi	Gjeod.Myzafer Kallabaku	Ark.Diana Mitrusi	Mek.Bujar Struga	Gjeolog. Besnik Hykaj
Nd.Sokol Metaja	Hidr.Redi Struga	Gjeod.Iv Beqari	Ark.Rigert Hyra	Mek.Bujar Meraj	
Nd.Ermal Spahiu	Hidr.Hajredin Murgu	Gjeod.Shqiponja Civici	Elek.Burhan Demberi	Mek. Gjergji Kotori	

SHKALLA	FLETA
1- 100	1- 01
Mat 2021	Format A3



- LEGJENDA**
- | FAZA 1 | FAZA 2 |
|-------------------------------------|-----------------------------------|
| ① Tubi i Prurjes | ⑫ Rezervuari i Ruajtjes se Llumit |
| ② Njesia e Paratrajtimit | ⑬ Stacioni i Ventilimit |
| ③ Tubi i Tejmbushur | ⑭ SBR |
| ④ Vaska Dekantuese | ⑮ Vaskat e Tharjes se Llumit |
| ⑤ Njesia Matese per tepricat e Ujit | |
| ⑥ Tubi i Daljes | |
| ⑦ Stacioni i Pranimit te Mbetjeve | |
| ⑧ Vaskat e Tharjes se Llumit | |
| ⑨ Zyra Operacionale | |
| ⑩ Gabina Elektrike | |
| ⑪ Sistemit e Jashtme | |

KOSTO NE FUNKSIONIM	Pershkrim	
2 kW	Zyra + Ndricimi i Jashtem	A
0.5 kW	Stacioni i pranimit te feceve	B
1 kW	Njesia paratrajtuese	C
10 kW	Pompat e llumit	D
0.5 kW	Njesia e matjes ne dalje	E
14 kW	Sasia Totale gjate funksionimit te Impiantit	

LEGJENDA

SIMBOLI	EMERTIMI
	KABELL ELEKTRIK 5x4mm ²
	PUSETE 80x80x110
	NDRICUES H=8m
	PROZHEKTOR 250W
	KABELL ELEKTRIK 3x2.5mm ²

POROSITESI : BASHKIA MAT
 Objekti: "STUDIM PROJEKTIM I RRJETIT TE KANALIZIMEVE NE ZONAT PERIFERIKE TE QYTETIT BURREL"

Emertimi: PROJEKTI ELEKTRIK

"Arabel - Studio" Sh.p.k	"InfraKonsult" Sh.p.k	"Net-Group" Sh.p.k

Projektues

Nd.Shemsi Sulejmani	Nd.Ilirjan Kokalari	Hidr.Luljeta Koci	Ark.Irida Troti	Elek.Altin Allkaj	Gjeoteknik. Artjon Jani
Nd.Lefter Shembitraku	Hidr.Arben Prendi	Gjeod.Myzafere Kallabaku	Ark.Diana Mitrushi	Mek.Bujar Struga	Gjeolog. Besnik Hykaj
Nd.Sokol Metaja	Hidr.Redi Struga	Gjeod.Iv Beqari	Ark.Rigert Hyra	Mek.Bujar Meraj	
Nd.Ermal Spahiu	Hidr.Hajredin Murgu	Gjeod.Shqiponja Civici	Elek.Burhan Demberi	Mek. Gjergji Kotori	

SHKALLA	FLETA
1- 100	1- 01
Mat 2021	Format A3

LEGJENDA

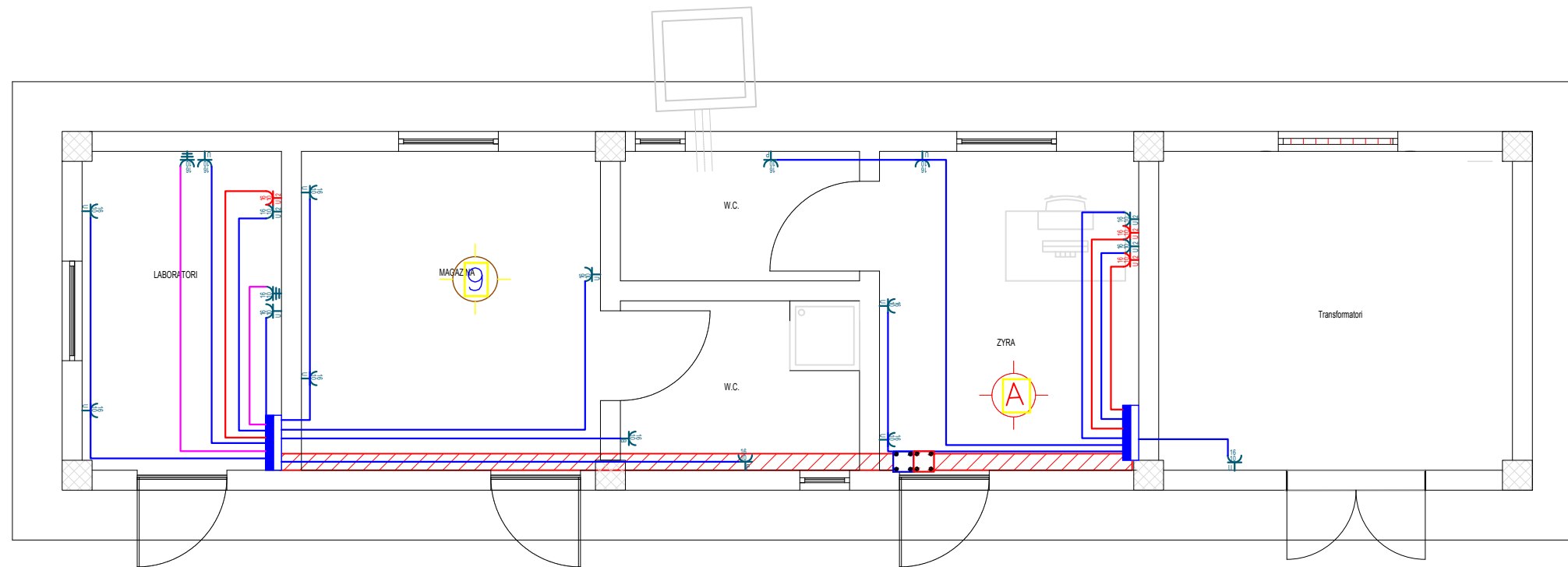
FAZA 1

- ① Tubi i Prurjes
- ② Njesia e Paratrajtim
- ③ Tubi i Tejmbushur
- ④ Vaska Dekantuese
- ⑤ Njesia Matese per tepricat e Ujit
- ⑥ Tubi i Daljes
- ⑦ Stacioni i Pranimit te Mbetjeve
- ⑧ Vaskat e Tharjes se Llumit
- ⑨ Zyra Operacionale
- ⑩ Gabina Elektrike
- ⑪ Sistemimet e Jashtme

FAZA 2

- ⑫ Rezervuari i Ruajtes se Llumit
- ⑬ Stacioni i Ventilimit
- ⑭ SBR
- ⑮ Vaskat e Tharjes se Llumit

RRJETI I ENERGIJE ELEKTRIKE



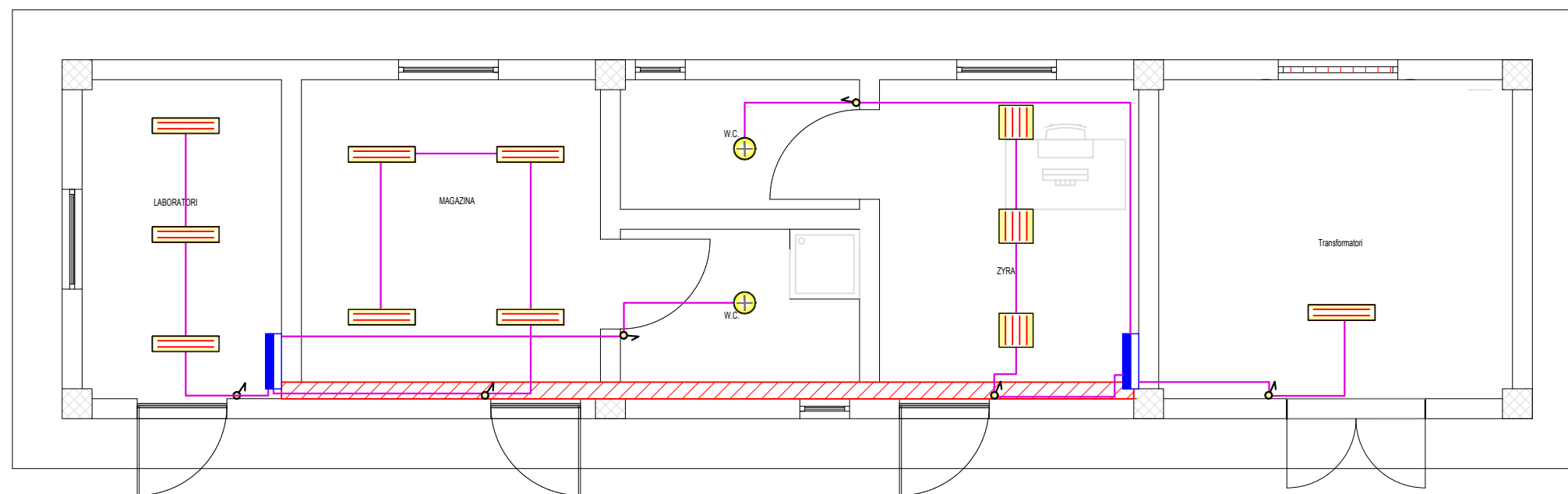
LEGJENDA

Pershkrimi	
	Përçues elektrik 3x2.5mm ² /Tub plastik Ø 20 - Normal
	Përçues elektrik 3x2.5mm ² /Tub plastik Ø 20 - Kritik
	Përçues elektrik 3x4 mm ² /Tub plastik Ø 20
	Përçues elektrik 5x4mm ² /Tub plastik Ø 32
	Pika e shpërndarjes për fuqi normale
	Pika e shpërndarjes për fuqi kritike
	Pllake metalike për fuqi të tensionit të ulët
	Kutia e Shpërndarjes për pllaka metalike, PT-5, për fuqi normale
	Kutia e Shpërndarjes për pllaka metalike, PT-5, për fuqi kritike
	Prize N.P. me: N.2 Prize me fole 2P+T 10A IP67
	Prize universale me fuqia normale
	Prize C.P. with: N.2 Prize shuko 2P+T 10A IP67
	*1 Shuko" Prize 2 module - 2P+T - 16 A - Pasqyre
	*1 Shuko" Prize 2 module - 2P+T - 16 A -Per ujin e ngrrohte
	Prize 3 Faza - 4P+T - 16 A - 400 V

LEGJENDA

Pershkrimi	
	Përçues Elektrik 3x1.5mm ² /kanal plastik Ø 16
	Përçues Elektrik 3x2.5mm ² /kanal plastik Ø 20
	Pika e shpërndarjes për fuqi normale
	Boshti teknik elektrik
	Shtrese metalike për fuqi të tensionit të ulët
	Ndërprerës me një drejtim
	Llambë fluoeshente FDS 2x36 W - IP65
	Llambat fluoeshente FDS FDS 4x18 W - IP20
	Drita e tavanit 40 W

RRJETI I NDRICIMIT



KOSTO NE FUNKSIONIM	Pershkrim	
2 kW	Zyra + Ndricimi i Jashtem	A
0.5 kW	Stacioni i pranimit te feceve	B
1 kW	Njesia paratrajtuese	C
10 kW	Pompat e llumit	D
0.5 kW	Njesia e matjes ne dalje	E
14 kW	Sasia Totale gjate funksionimit te Impiantit	

POROSITESI : BASHKIA MAT

Objekti: "STUDIM PROJEKTIM I RRJETIT TE KANALIZIMEVE NE ZONAT PERIFERIKE TE QYTETIT BURREL"

Emertimi: PROJEKTI ELEKTRIK

"Arabel - Studio" Sh.p.k



"InfraKonsult" Sh.p.k



"Net-Group" Sh.p.k



Projektues

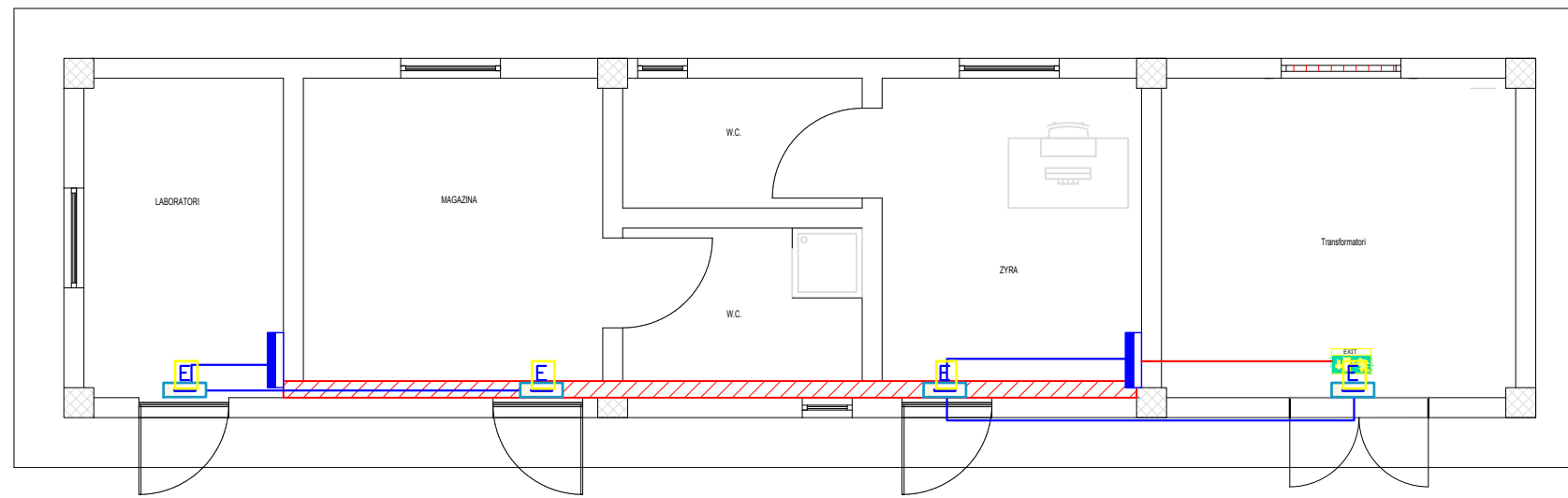
Nd.Shemsi Sulejmani	Nd.Ilirjan Kokalari	Hidr.Luljeta Koci	Ark.Irida Troti	Elek.Altin Allkaj	Gjeoteknik. Artjon Jani
Nd.Lefter Shembitraku	Hidr.Arben Prendi	Gjeod.Myzafer Kallabaku	Ark.Diana Mitrushu	Mek.Bujar Struga	Gjeolog. Besnik Hykaj
Nd.Sokol Metoja	Hidr.Redi Struga	Gjeod.Iv Beqari	Ark.Rigert Hyra	Mek.Bujar Meraj	
Nd.Ermal Spahiu	Hidr.Hajredin Murgu	Gjeod.Shqiponja Civici	Elek.Burhan Demberi	Mek. Gjergji Kotori	

SHKALLA FLETA

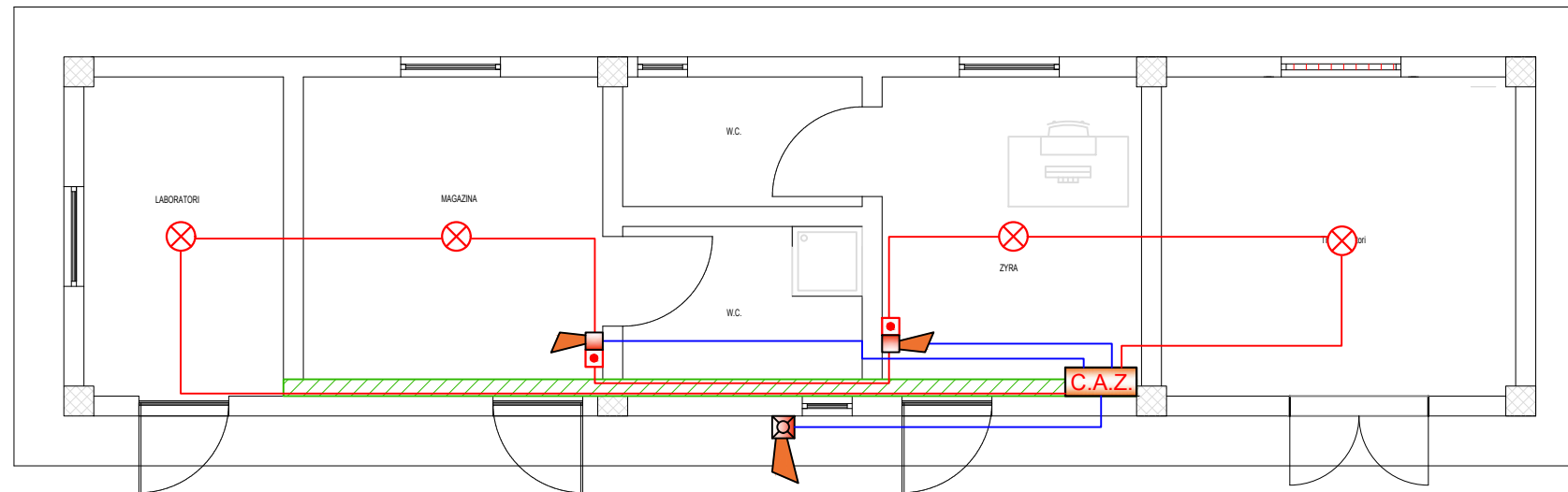
1- 100 1- 01

Mat 2021 Format A3

Planimetria e ndricimit te emergjences



Planimetria e vendosjes se dedektoreve



LEGJENDA	
Pershkrimi	
	Kabulo për ndriçuesin emergjent 2x1.5 mm FR-OR
	Kabulo për ndriçuesin emergjent 2x1.5 mm FR-OR
	Kuti e shpërndarjes për fuqi normale
	Flete metalike për energji me tension të ulët
	Llambë ndriçimi emergjence 1x8w, 220 V, me 4 orë autonomi
	Llambë ndriçimi evakuimi për dalje 1x8w, 220 V, me 2 orë autonomi

LEGJENDA	
Pershkrimi	
	Linja elektrike e detektorit 2x1mm ² +gardh, PTF 16 mm
	Linja Elektrike e Alarmit 2x1mm ² +gardh, PTF 16 mm
	Boshti teknik elektrik
	Dedektor duhani
	Butoni Shtyp (Thyerja e Xhamit)
	Sirena alarmi - Brenda
	Sirena alarmi - Jasht
	Alarmi i zjarrit qendror

POROSITESI : BASHKIA MAT
Objekti: "STUDIM PROJEKTIM I RRJETIT TE KANALIZIMEVE NE ZONAT PERIFERIKE TE QYTETIT BURREL"

Emertimi: PROJEKTI ELEKTRIK

"Arabel - Studio" Sh.p.k



"Infrakonsult" Sh.p.k



"Net-Group" Sh.p.k

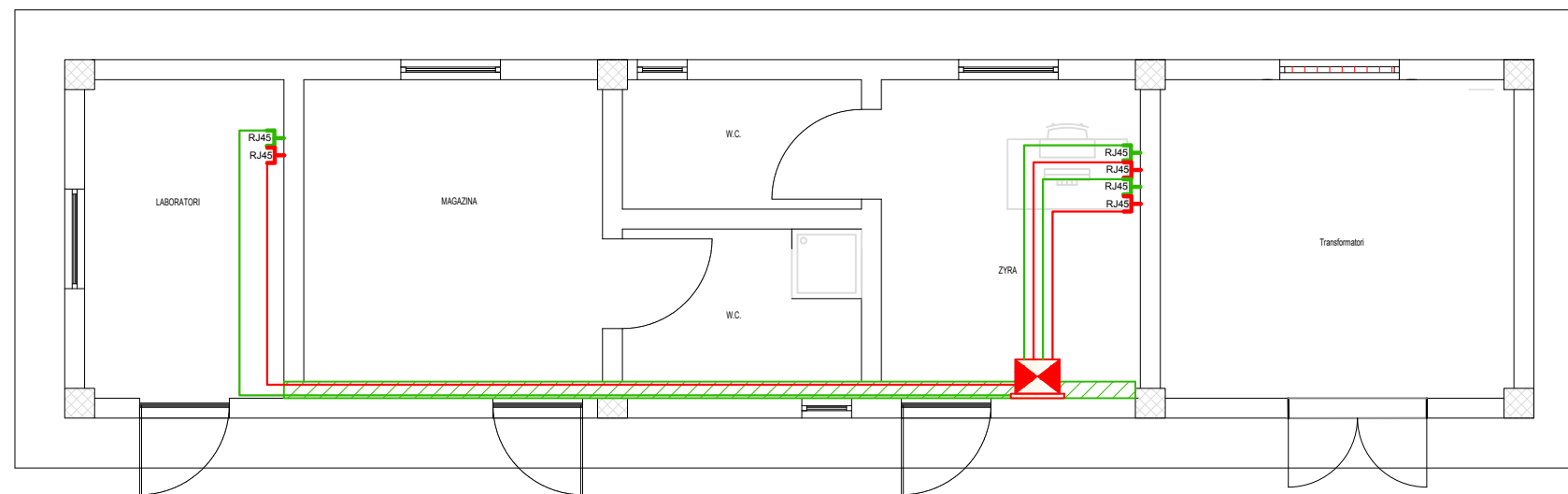


Projektues

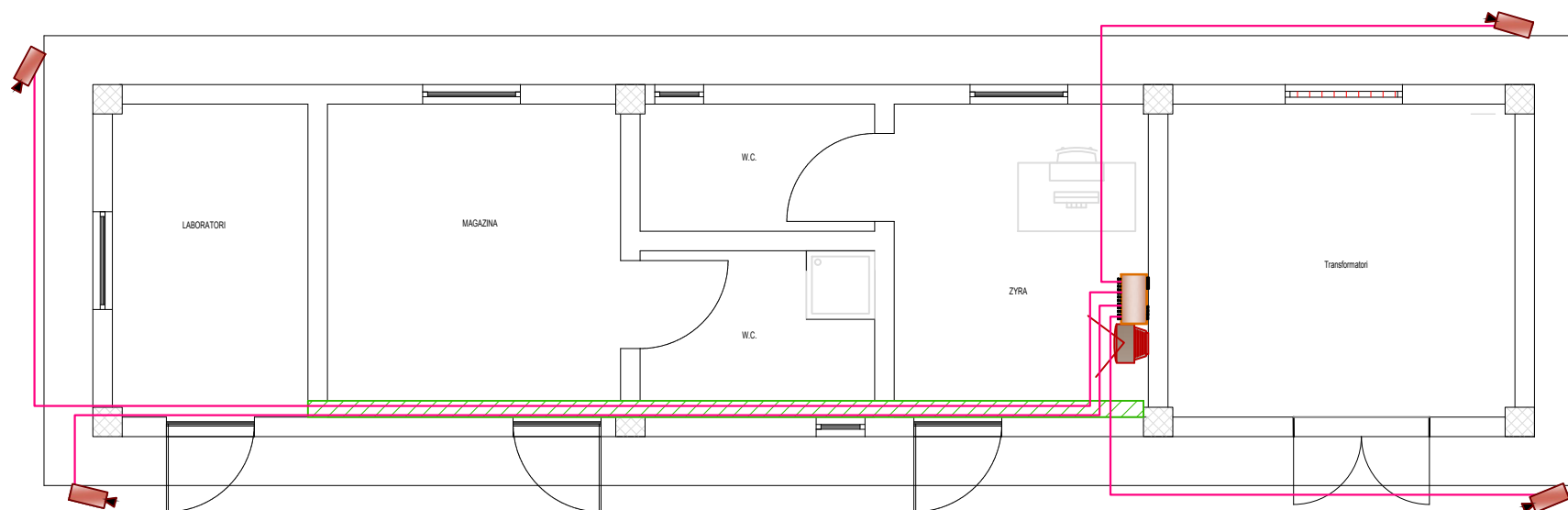
Nd.Shemsi Sulejmani	Nd.Ilirjan Kokalari	Hidr.Luljeta Koci	Ark.Irida Troti	Elek.Altin Allkaj	Gjeoteknik. Artjon Jani
Nd.Lefter Shembitraku	Hidr.Arben Prendi	Gjeod.Myzafer Kallabaku	Ark.Diana Mitrusi	Mek.Bujar Struga	Gjeolog. Besnik Hykaj
Nd.Sokol Metoja	Hidr.Redi Struga	Gjeod.Iv Beqari	Ark.Rigert Hyra	Mek.Bujar Meraj	
Nd.Ermal Spahiu	Hidr.Hajredin Murgu	Gjeod.Shqiponja Civici	Elek.Burhan Demberi	Mek. Gjergji Kotori	

SHKALLA	FLETA
1- 100	1- 01
Mat 2021	Format A3

Planimetria e instalimeve telefonike dhe internet



CCTV



LEGJENDA

Pershkrimi	
	FTP Kabell, Cat 6e
	UTP Kabell, Cat 5e
	Kolone elektrike
	Flete metalike për energji me tension të ulët
	Prize RJ-45 Cat 5e per telefoni
	Prize RJ-45 Cat 6e per transmetimin e te dhenave
	Dollap 19", H=100 cm

LEGJENDA

Pershkrimi	
	Kamera
	Kabell RG-59 + 3x1.5 mm ² + FTP Cat-6
	Boshti teknik elektrik
	Regjistrues dixhital
	Monitor CCTV

POROSITESI : BASHKIA MAT
 Objekti: "STUDIM PROJEKTIM I RRJETIT TE KANALIZIMEVE NE ZONAT PERIFERIKE TE QYTETIT BURREL"

Emertimi: PROJEKTI ELEKTRIK

"Arabel - Studio" Sh.p.k



"InfraKonsult" Sh.p.k



"Net-Group" Sh.p.k



Projektues

Nd.Shemsi Sulejmani	Nd.Ilirjan Kokalari	Hidr.Luljeta Koci	Ark.Irida Troti	Elek.Altin Allkaj	Gjeoteknik. Artjon Jani
Nd.Lefter Shembitraku	Hidr.Arben Prendi	Gjeod.Myzaferre Kallabaku	Ark.Diana Mitrusi	Mek.Bujar Struga	Gjeolog. Besnik Hykaj
Nd.Sokol Metroja	Hidr.Redi Struga	Gjeod.Iv Beqari	Ark.Rigert Hyra	Mek.Bujar Meraj	
Nd.Ermal Spahiu	Hidr.Hajredin Murgu	Gjeod.Shqiponja Civici	Elek.Burhan Demberi	Mek. Gjergji Kotori	

SHKALLA

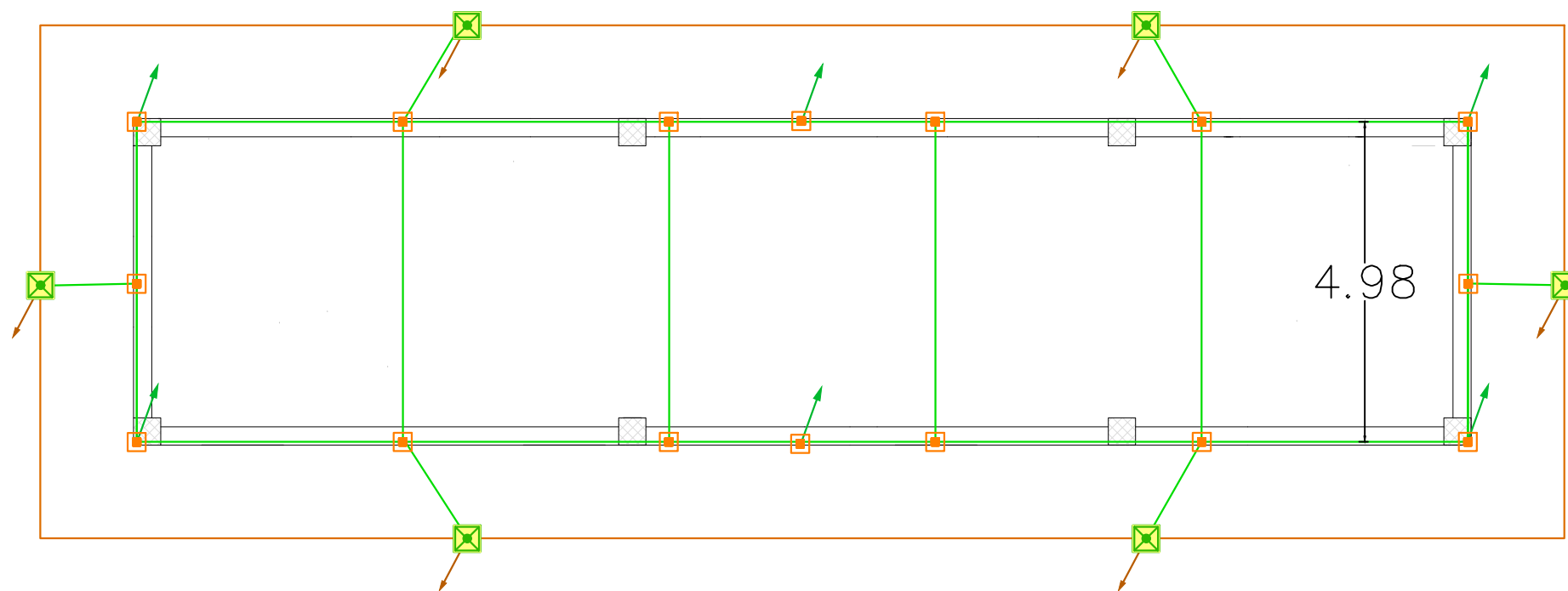
FLETA

1- 100

1- 01

Mat 2021

Format A3



Legjenda	
Pershkrimi	
	Zn=30x3mm ²
	Cu=35mm ²
	Shigjet i rrufesë Zn, L = 1m
	Morsete universale
	Kuti plastike 40x40
	Elektrode Tokezimi Zn,L=1.5m

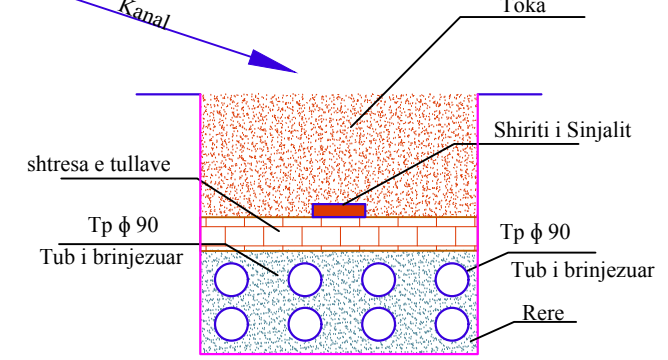
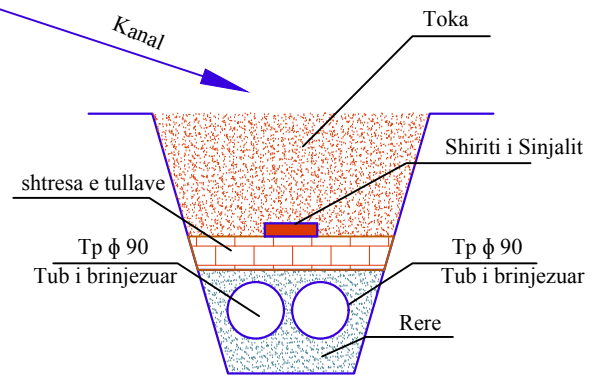
POROSITESI : BASHKIA MAT
 Objekti: "STUDIM PROJEKTIM I RRJETIT TE KANALIZIMEVE NE ZONAT PERIFERIKE TE QYTETIT BURREL"

Emertimi: PROJEKTI ELEKTRIK		
"Arabel - Studio" Sh.p.k	"Infrakonsult " Sh.p.k	"Net-Group " Sh.p.k

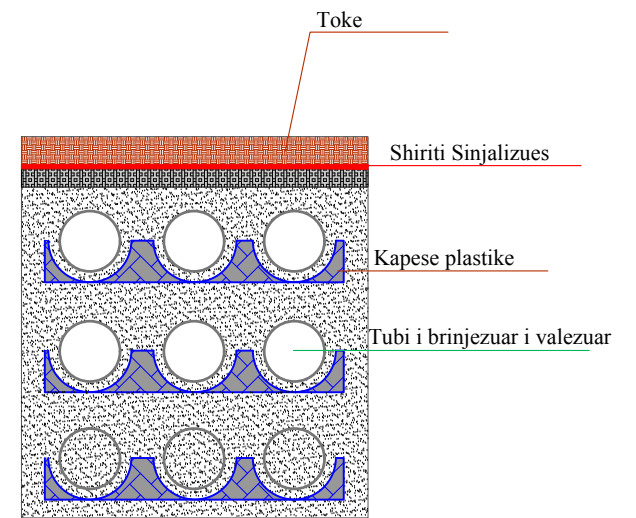
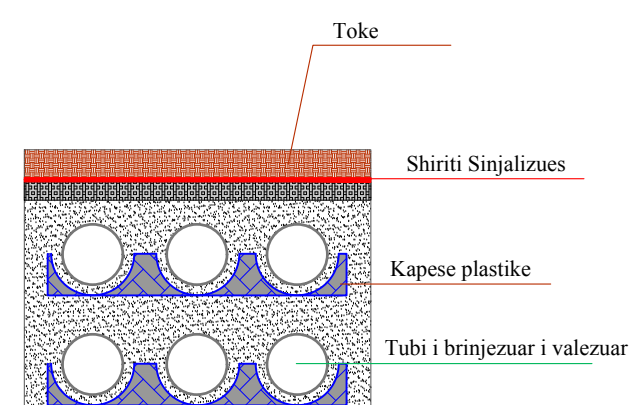
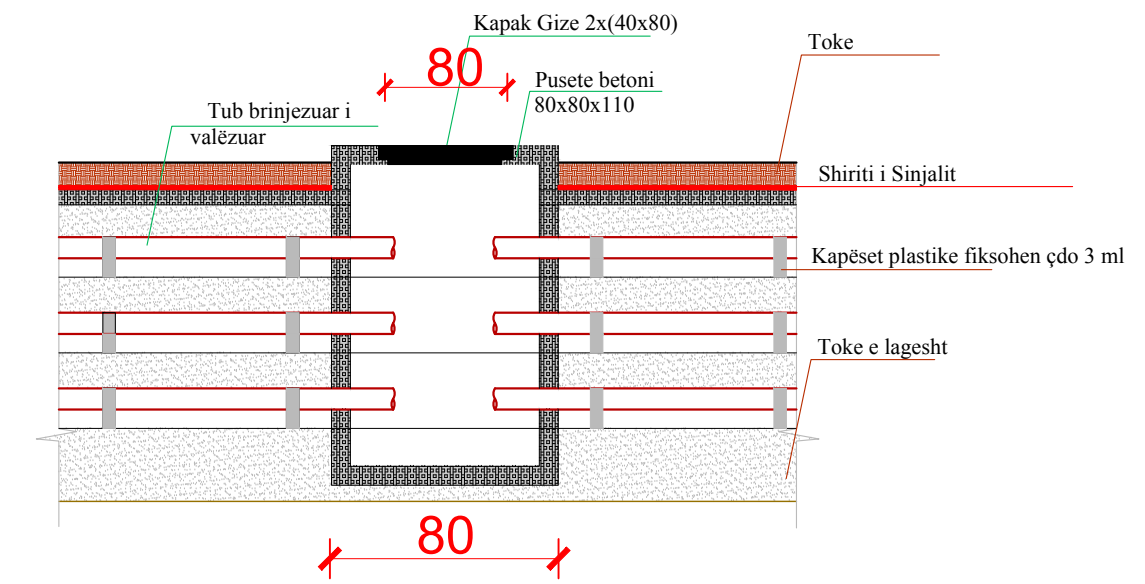
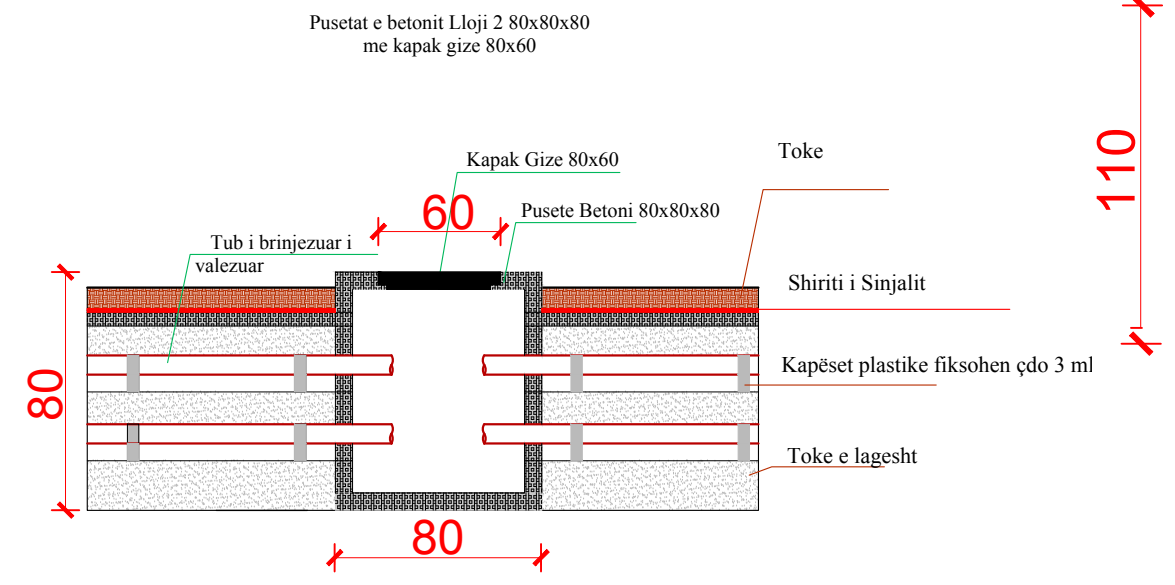
Projektues					
Nd.Shemsi Sulejmani	Nd.Ilirjan Kokalari	Hidr.Luljeta Koci	Ark.Irida Troti	Elek.Altin Allkaj	Gjeoteknik. Artjon Jani
Nd.Lefter Shembitraku	Hidr.Arben Prendi	Gjeod.Myzafer Kallabaku	Ark.Diana Mitrusi	Mek.Bujar Struga	Gjeolog. Besnik Hykaj
Nd.Sokol Metroja	Hidr.Redi Struga	Gjeod.Iv Beqari	Ark.Rigert Hyra	Mek.Bujar Meraj	
Nd.Ermal Spahiu	Hidr.Hajredin Murgu	Gjeod.Shqiponja Civici	Elek.Burhan Demberi	Mek. Gjergji Kotori	

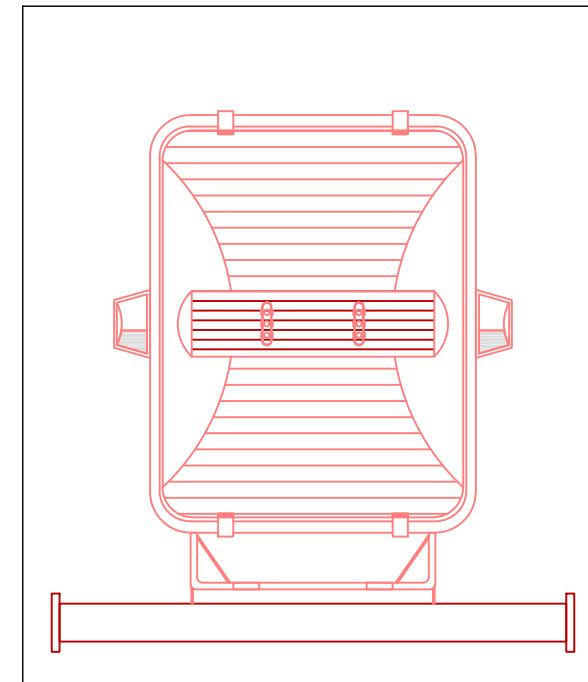
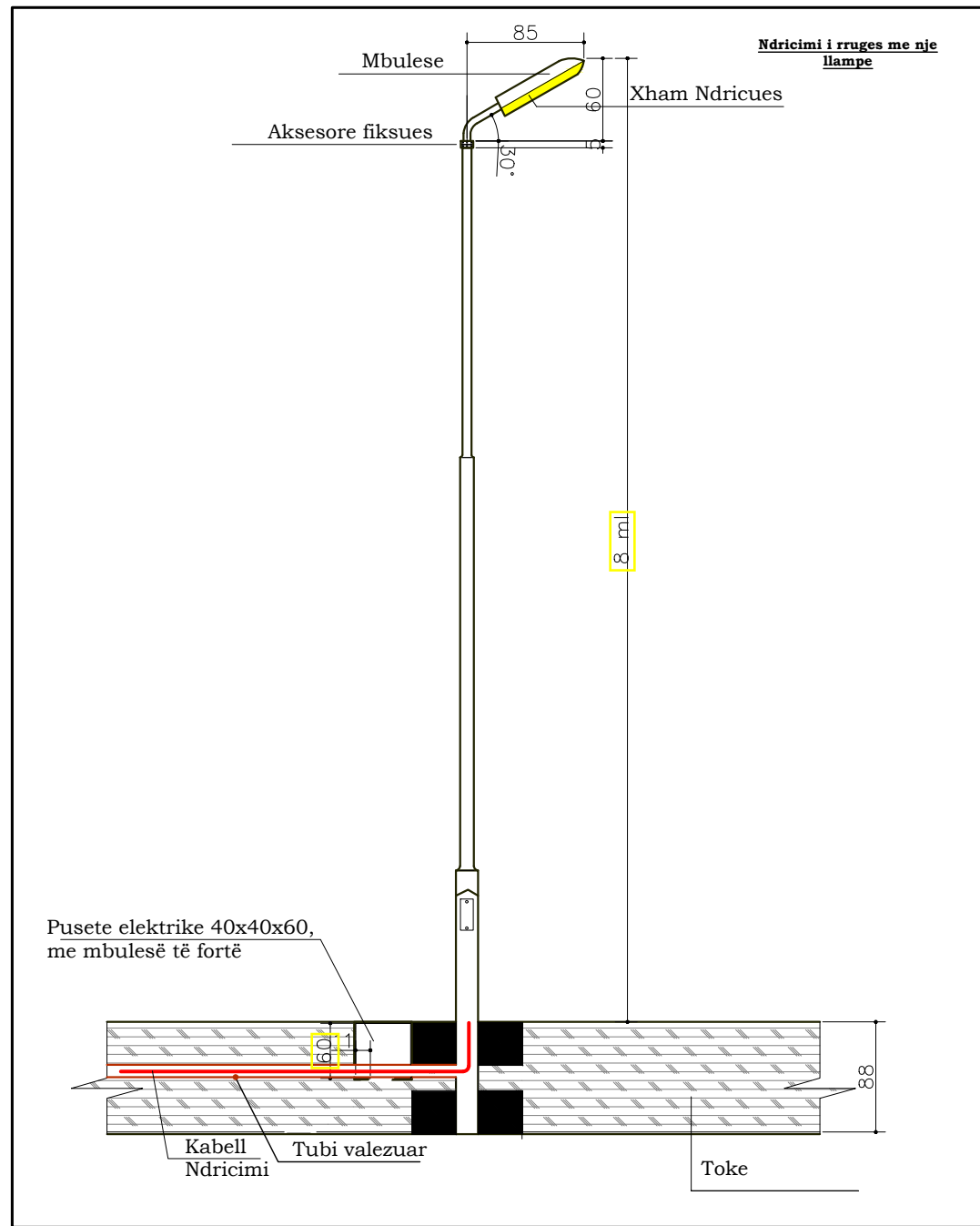
SHKALLA	FLETA
1- 100	1- 01
Mat 2021	Format A3

KOSTO NE FUNKSIONIM	Pershkrim	
2 kW	Zyra + Ndricimi i Jashtem	A
0.5 kW	Stacioni i pranimit te fecëve	B
1 kW	Njesia paratrajtuese	C
10 kW	Pompat e llumit	D
0.5 kW	Njesia e matjes në dalje	F
14 kW	Sasia Totale gjate funksionimit te Impiantit	



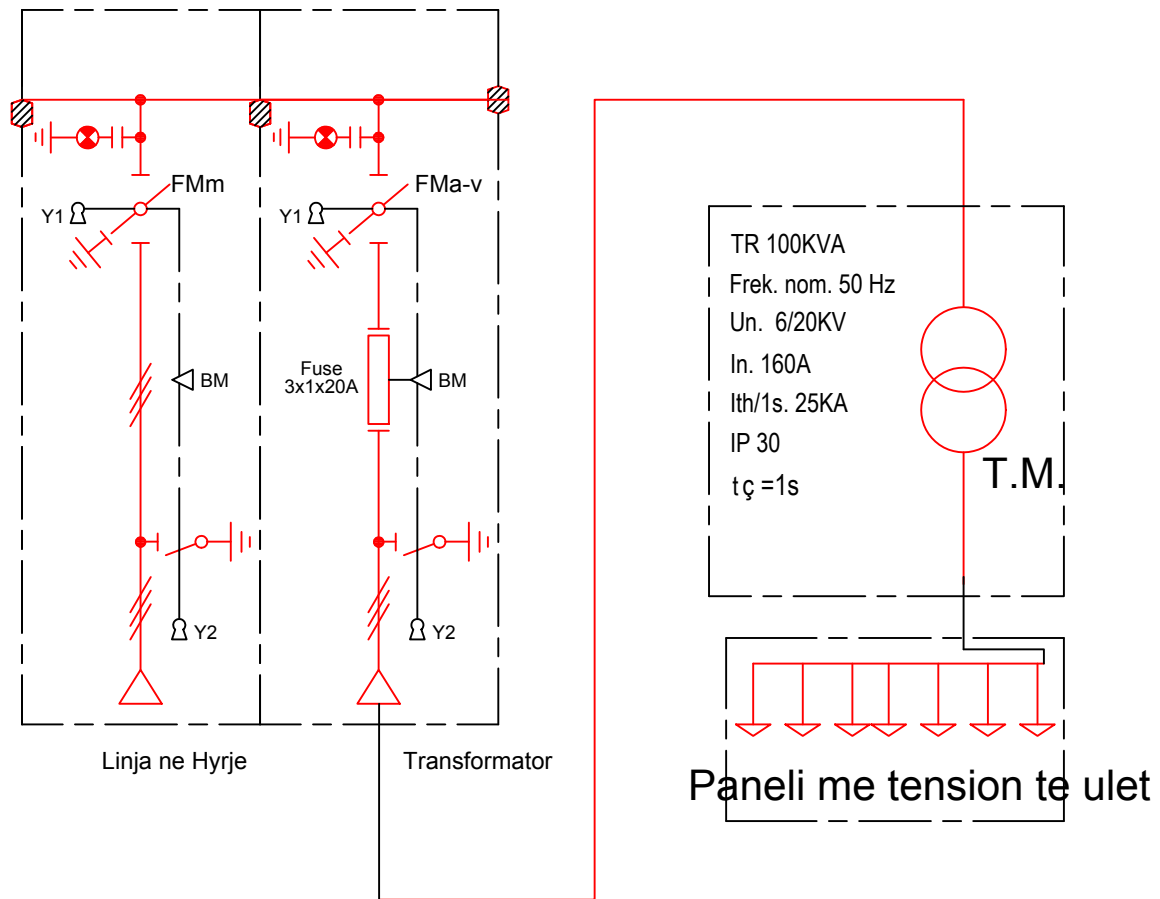
Pusetat e betonit Lloji 1 80x80x110 me kapak prej gize 2x (40x80)





STACIONI ELEKTRIK

PANELI ELEKTRIK I TENSIONIT TE MESEM 6/20/0.4 KV



TE DHENA TEKNIKE:

Panelet dhe aparatet e tensionit të mesëm (6/20kV)

Pajisjet dhe furnizimi duhet të jenë të tipit modul të parafabrikuar si më poshtë:

Panel T.M. No 1

Kuti ne hyrje dim. (700x1150x2100) mm, me ndarje në një vakum, ndarës "tokë" me elektromagnetike, e kompletuar me fiksimin e kablove, me indikacione kapacitivi izolator tregues pranisë së tensionit të rrjetit (6/20kV). Brenda transformatorëve të energjisë të përfshirë dhe tensionit përdoren për sinjalizimin mbrojtjen dhe matjen e parametrave elektrike, matjen e fuqisë aktive dhe reaktive e cila mbledh OSSH.-të në dhomën teknike. Në kutinë e hyrjes përfshini: çelësin e përfundimit HAD SF-6 Në = 400A, ICC = 25 KA me stafetë mbrojtëse 'për shkyqje me Un = 220V, me kontakte ndihmëse 2NA + NC dhe bllokim të çelësit; me ndriçim të brendshëm

Panel No 2 Transformatori

E kompletuar me ndërprerës SF-6, Un = 6/20kV; Në = 400A; ICC = 25 KA: siguresat TM In = 50A, me kushtin që celsi SF-6: me ndriçim të brendshëm. Të tre panelet janë të kompletuar me komplet hekurudhor, për In = 400A, dhe sinjalizimin sistemi i tokëzimit. Ato janë të mbyllura me IP30.

Transformator trefazor, tip hermetik, S = 100kva, tension primar Up = 6 / 20kV, trekëndësh / yll + N,

Grupi DYN-11YYO me rregullatorin primar të tensionit + /-5%, tension dytësor trefazor Ne = 400V + N.

Transformatori përveç aksesorëve do të ketë serinë e tij 'Buchholz kontaktet elektrike, termometrin, valvulën

sigurimi i sipërm, kasete ndihmëse e qarqeve për shenja veprimi. Kabina T.M. duhet të jetë i pajisur me pajisje teknike

tavolina sigurie, izolues, dorashka gome dielektrike për Un = 20kV.

POROSITESI : BASHKIA MAT

Objekti: "STUDIM PROJEKTIM I RRJETIT TE KANALIZIMEVE NE ZONAT PERIFERIKE TE QYTETIT BURREL"

Emertimi: PROJEKTI ELEKTRIK

"Arabel - Studio" Sh.p.k



"Infrakonsult " Sh.p.k



"Net-Group " Sh.p.k



Projektues

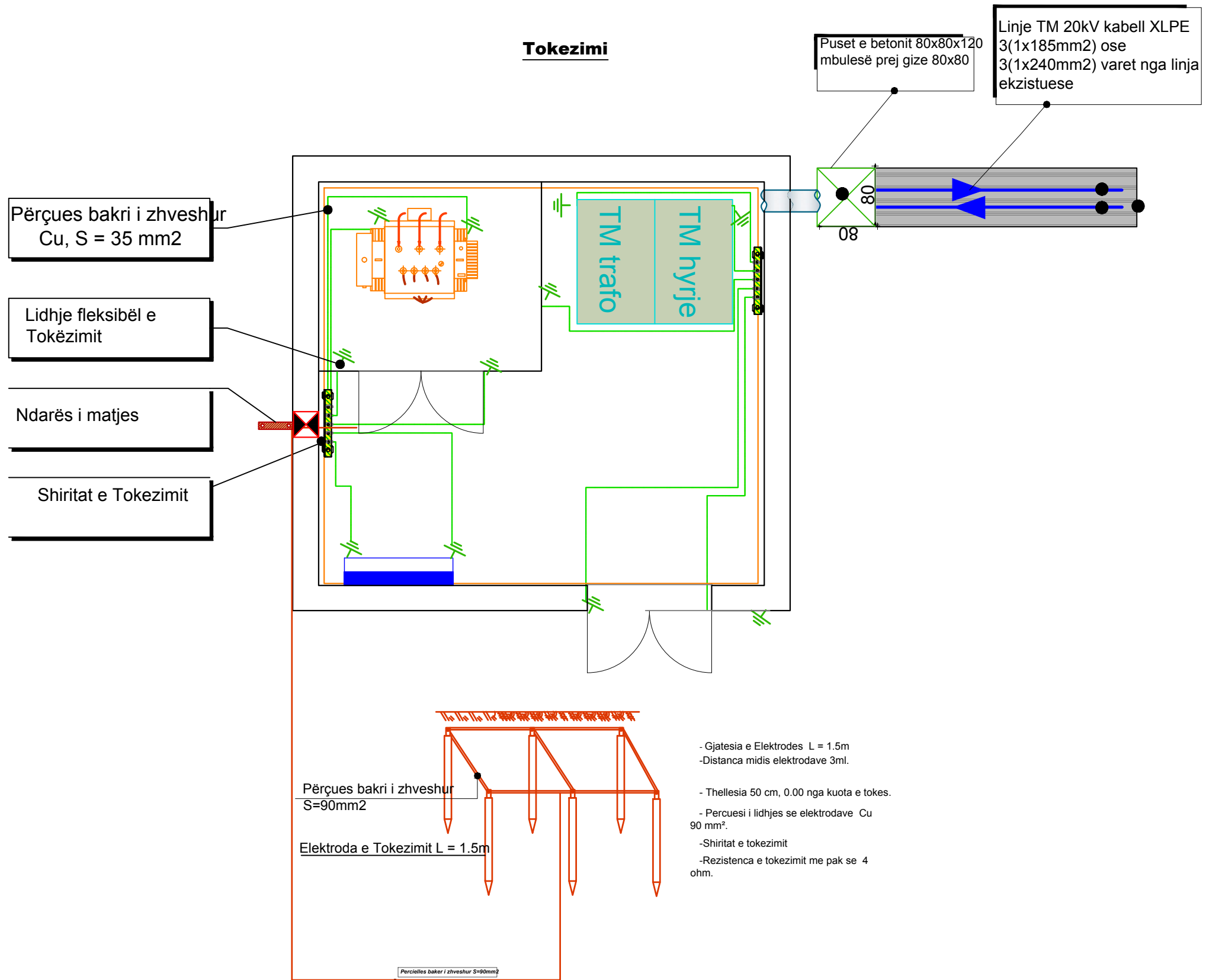
Nd.Shemsi Sulejmani	Nd.Illirjan Kokalari	Hidr.Lujeta Koci	Ark.Irida Troti	Elek.Altin Allkaj	Gjeoteknik. Artjon Jani
Nd.Lefter Shemitraku	Hidr.Arben Prendi	Gjeod.Myzafer Kallabaku	Ark.Diana Mitrushi	Mek.Bujar Struga	Gjeolog. Besnik Hykaj
Nd.Sokol Metoja	Hidr.Redl Struga	Gjeod.Iv Beqari	Ark.Rigert Hyra	Mek.Bujar Meraj	
Nd.Ermal Spahiu	Hidr.Hajredin Murgu	Gjeod.Shqiponja Civici	Elek.Burhan Demberi	Mek. Gjergji Kotori	

SHKALLA FLETA

1- 100 1 - 01

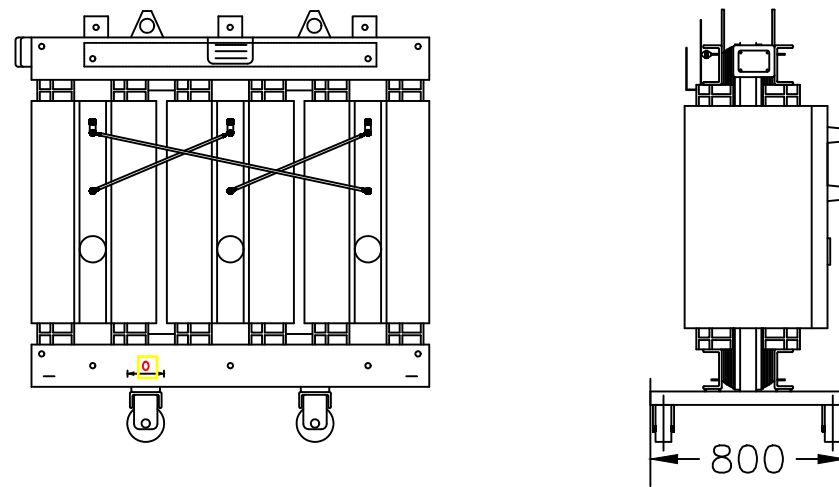
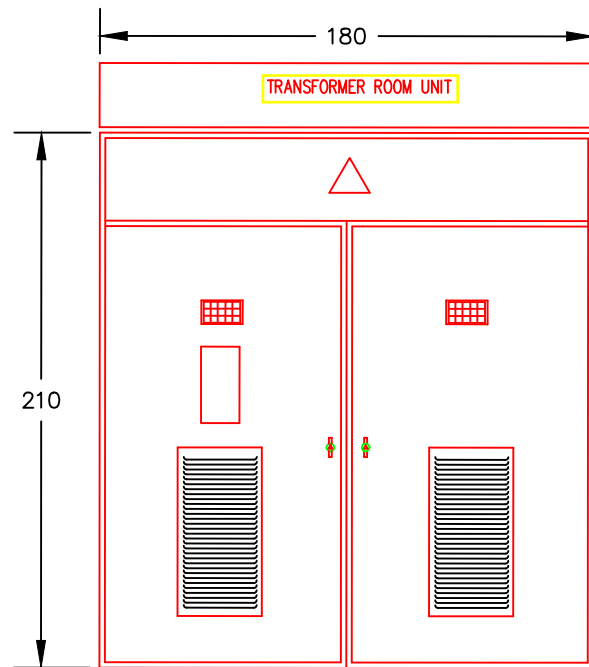
Mat 2021 Format A3

Tokezimi

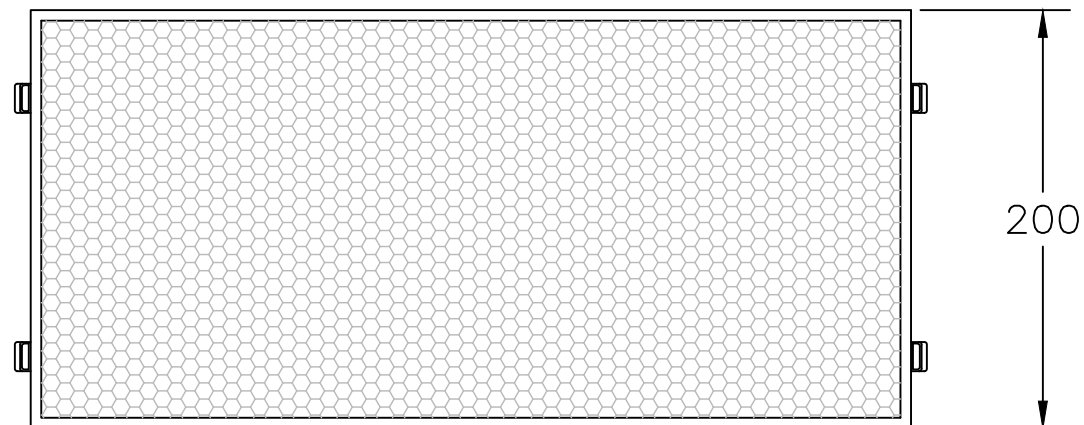


TRANSFORMATOR ME REZINE 100kVA

Transformatori i thatë i rrethuar nga MBROJTJA E RRJETIT



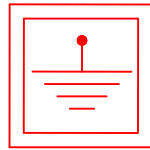
RRJETA MBROJTSE



Shënim: Dimensionet janë në milimetra



DETAJE TOKEZIMI



TOKEZIMI PUSETE 264x360x255

PUSETE PLASTIKE

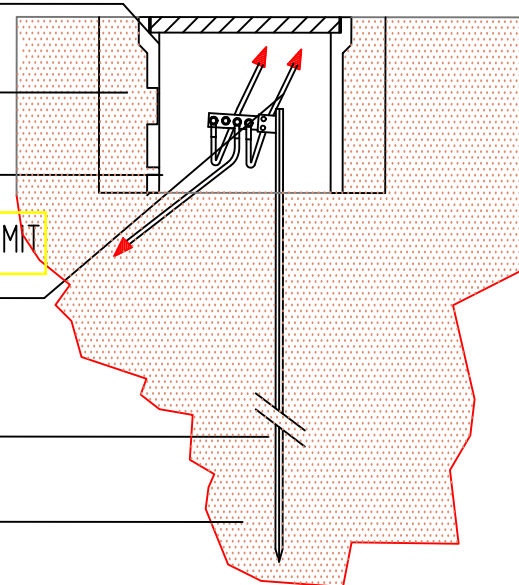
TOKE

PUSETA TE TJERA

KONDUKTORI KRYESOR I TOKEZIMIT
BAKER 50 mm²

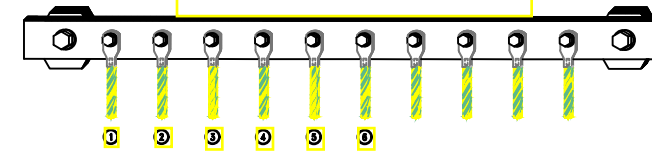
ELEKTRODE TOKEZIMI
Cu h=200 cm

TOKE



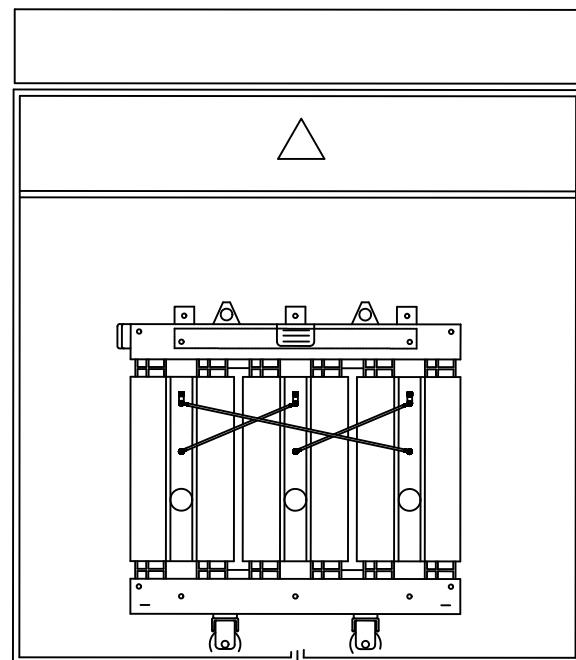
DETAJE

KOLEKTORI TOKSEORE BAKRI



- | | | |
|---|---|--------------------------|
| ① | LIDHJE ME JASHT | TEL 1x35 mm ² |
| ② | LIDHJA ME PANELIN E TENSIONIT TE ULET | TEL 1x35 mm ² |
| ③ | LIDHJA ME PANELIN E TENSIONIT TE MESEM | TEL 1x35 mm ² |
| ④ | LIDHJA ME PJESE METALIKE ME STACIONIN ELEKTRIK | TEL 1x35 mm ² |
| ⑤ | LIDHJA ME PJESE METALIKE ME STACIONIN E POMPAVE | TEL 1x35 mm ² |
| ⑥ | LIDHJA ME TRANSFORMATORIN | TEL 1x35 mm ² |

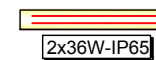
TRANSFORMATORI 6/20/0.4 kV



LEGJENDA



CELES DRITE, 1 POL



2x36W FLUORESHENTE/FIKSUAR NE SIPERFAQE



230V/16A PRIZE SHUKO



KUTI SHPERNDARES



LINJA ELEKTRIKE NE HYRJE TIP PLASTIKE 20
ME LLOJIN E KABLLIT FG70R



KABELL ME SHITRESE METALIKE



POROSITESI : BASHKIA MAT

Objekti: "STUDIM PROJEKTIM I RRJETIT TE KANALIZIMEVE NE ZONAT PERIFERIKE TE QYTETIT BURREL"

Emertimi: PROJEKTI ELEKTRIK

"Arabel - Studio" Sh.p.k



"Infrakonsult" Sh.p.k



"Net-Group" Sh.p.k



Projektues

Nd.Shemsi Sulejmani

Nd.Lefter Shembitraku

Nd.Sokol Metoja

Nd.Ermal Spahiu

Nd.Ilirjan Kokalari

Hidr.Arben Prendi

Hidr.Redi Struga

Hidr.Hajredin Murgu

Hidr.Luljeta Koci

Gjeod.Myzafera Kallabaku

Gjeod.Iv Beqari

Gjeod.Shqiponja Civici

Ark.Irida Troti

Ark.Diana Mitrushi

Ark.Rigert Hyra

Elek.Burhan Demberi

Elek.Altin Allkaj

Mek.Bujar Struga

Mek.Bujar Meraj

Mek. Gjergji Kotori

Gjeoteknik. Artjon Jani

Gjeolog. Besnik Hykaj

SHKALLA

FLETA

1- 100

1- 01

Mat 2021

Format A3

