

PROJEKTI KONSTRUKTIV

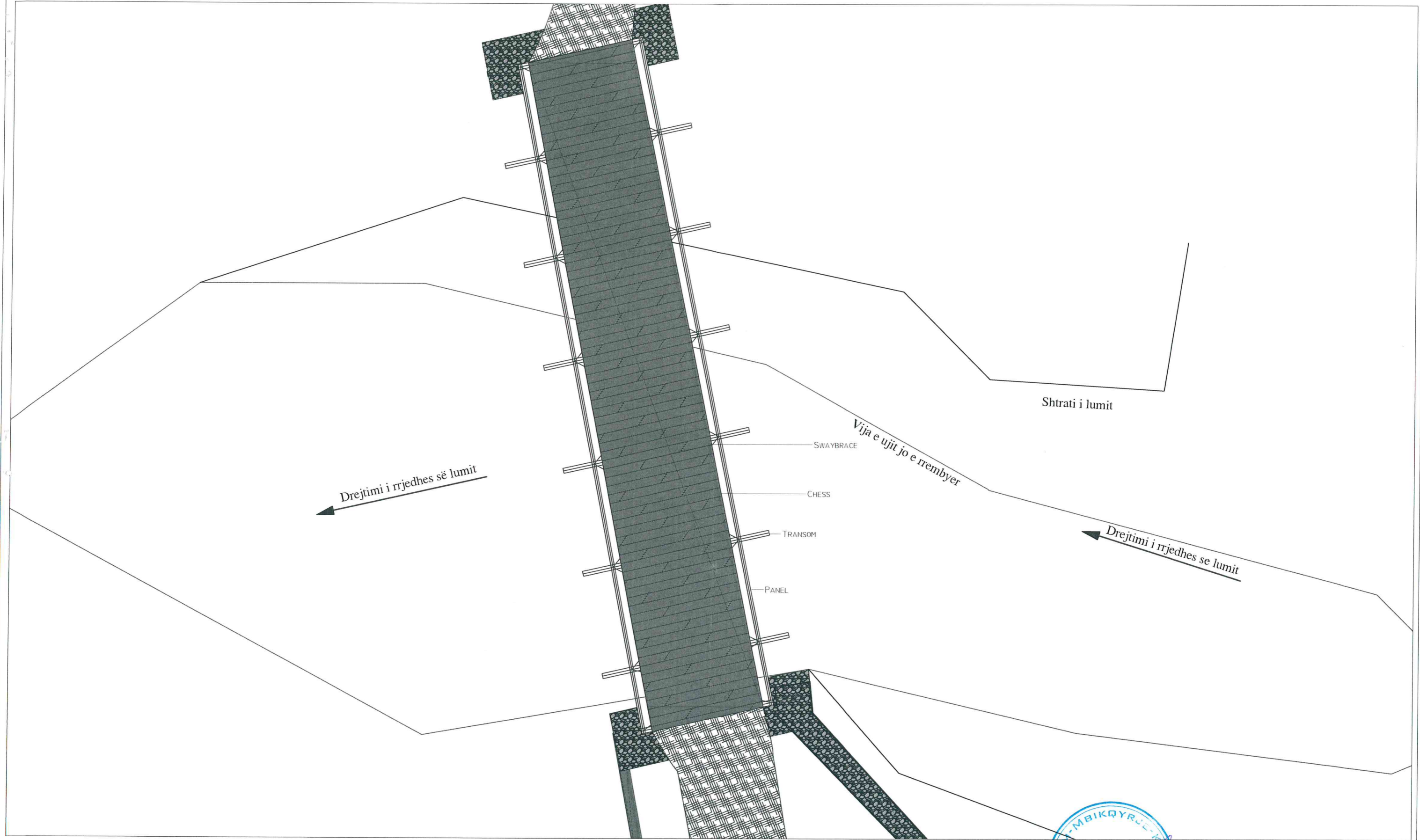
OBJEKT: NDERTIMI I URES NË FSHATIN
CERNALEVE, SHISHTAVEC

MIRATOI
ZV/KRYETARI I BASHKISË
GRANIT GJANA



Bashkia Kukes	GRUPI I PROJEKTIMIT	
Inzhinier	Ing. Xhem Neçi	Lic. K1034/2
	Data Shtator / 2023	Fleta Nr. A-00

PLANIMETRI E URËS ME STRUKTURË METALIKE TIP "BAILEY" CERNALEVE



SHENIME

LEGJENDA

Bashkia

Kukes

ZV/Kryetar

Granit Gjana

Inxhinier

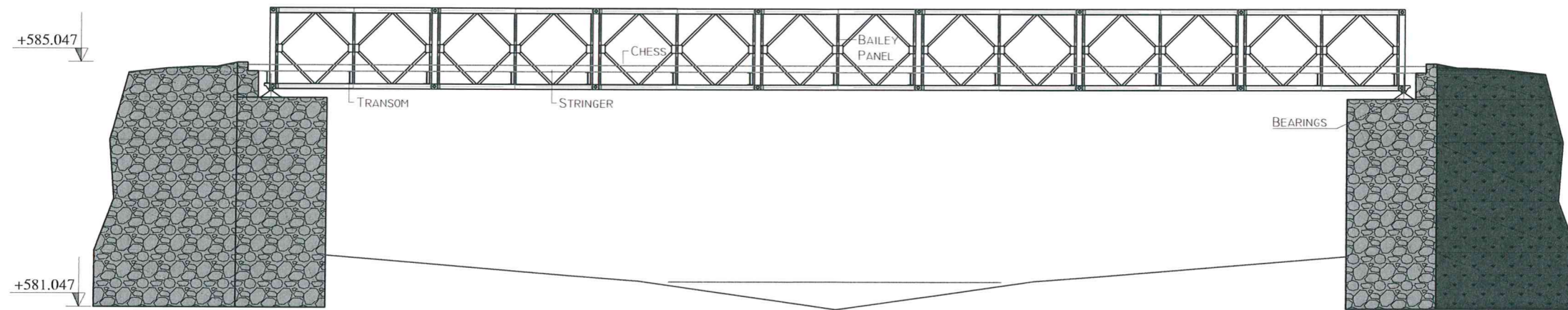
GRUPI I PROJEKTIMIT

Ing. Xhem Neçi Lic. K1024/2

118

Shkalla 1:100
 Formati A3L
 Data Shtator / 2023
 Fleta Nr. A-01

PLANIMETRI E URES ME STRUKTURE METALIKE TIP "BAILEY" CERNALEVE



SHENIME

LEGJENDA

Bashkia

Kukes

ZV/Kryetar

Granit Gjana

GRUPI I PROJEKTIMIT

Inxhinier

Ing. Xhem Neçi Lic. K1034/2

MK 1106/1

Shkalla

1:100

Formati

A3L

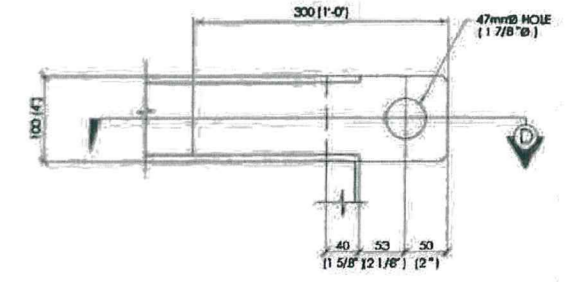
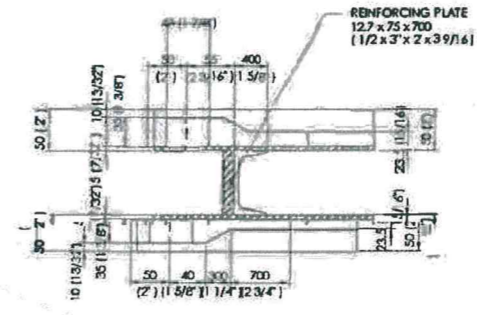
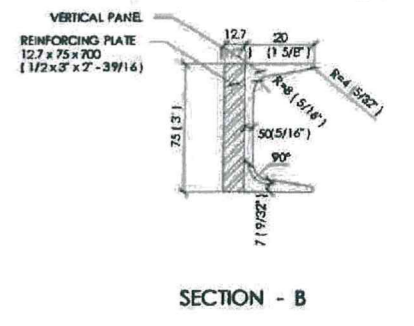
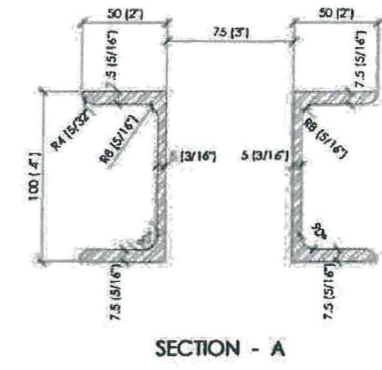
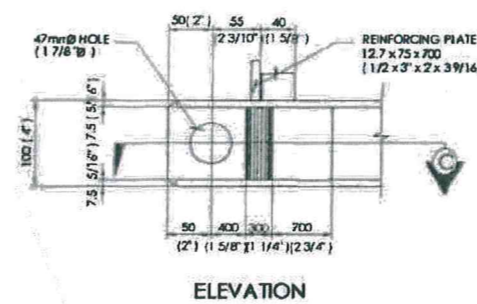
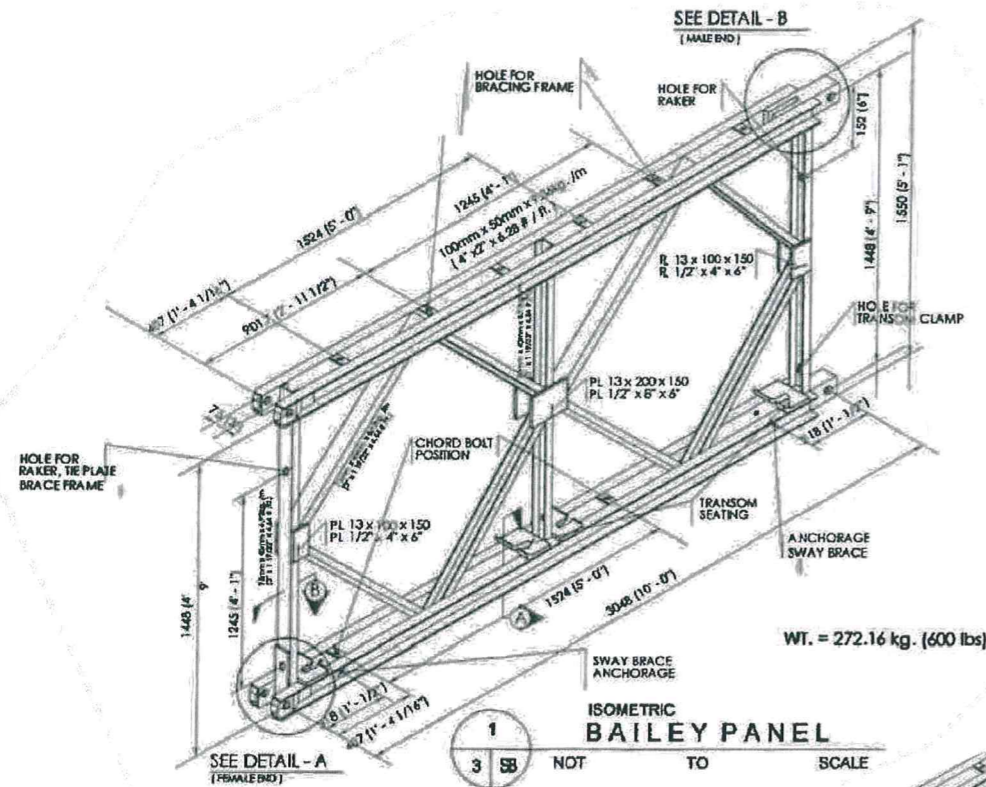
Fleta Nr. A-02

Data

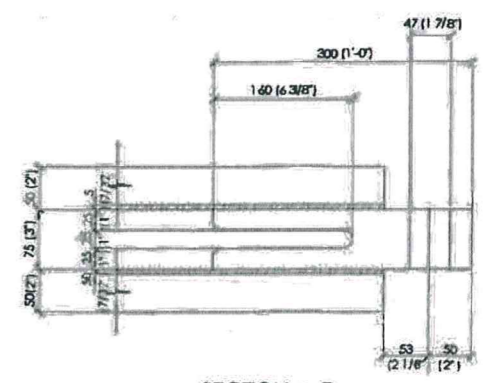
Shtator / 2023



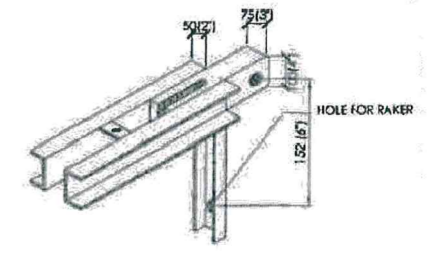
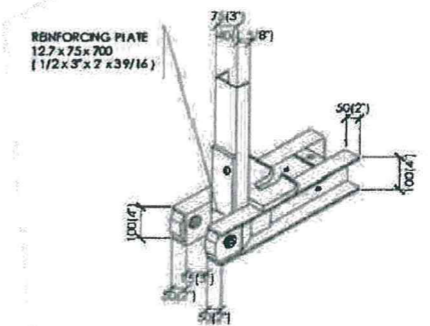
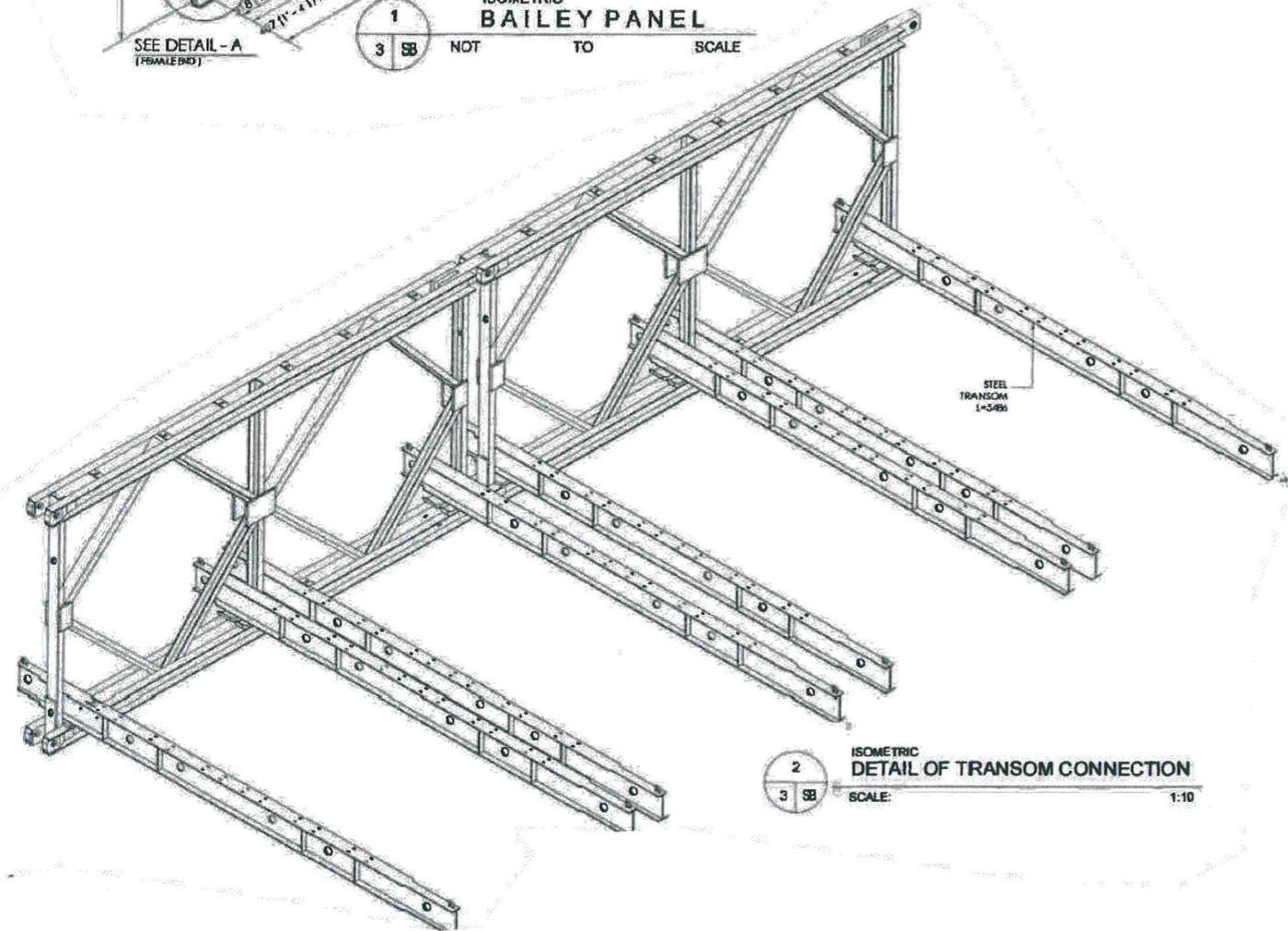
URË ME STRUKTURË METALIKE TIP "BAILEY"(DOUBLE-SINGLE DS), CERNALEVE



SECTION - A
SCALE: 1:40

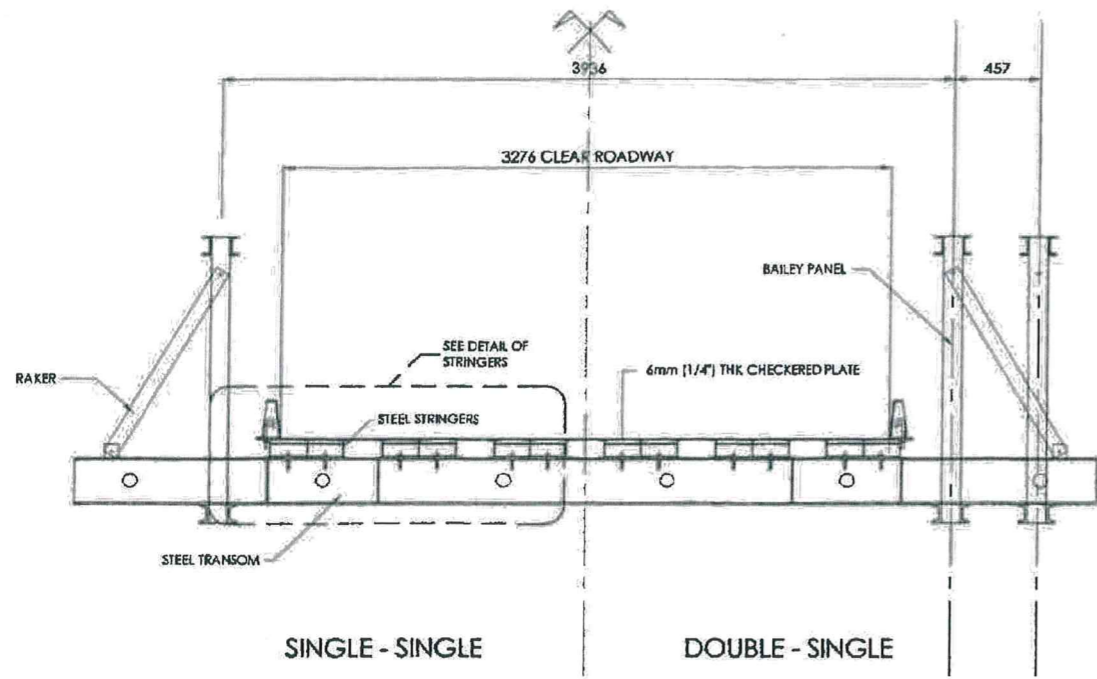


SECTION - B
SCALE: 1:40

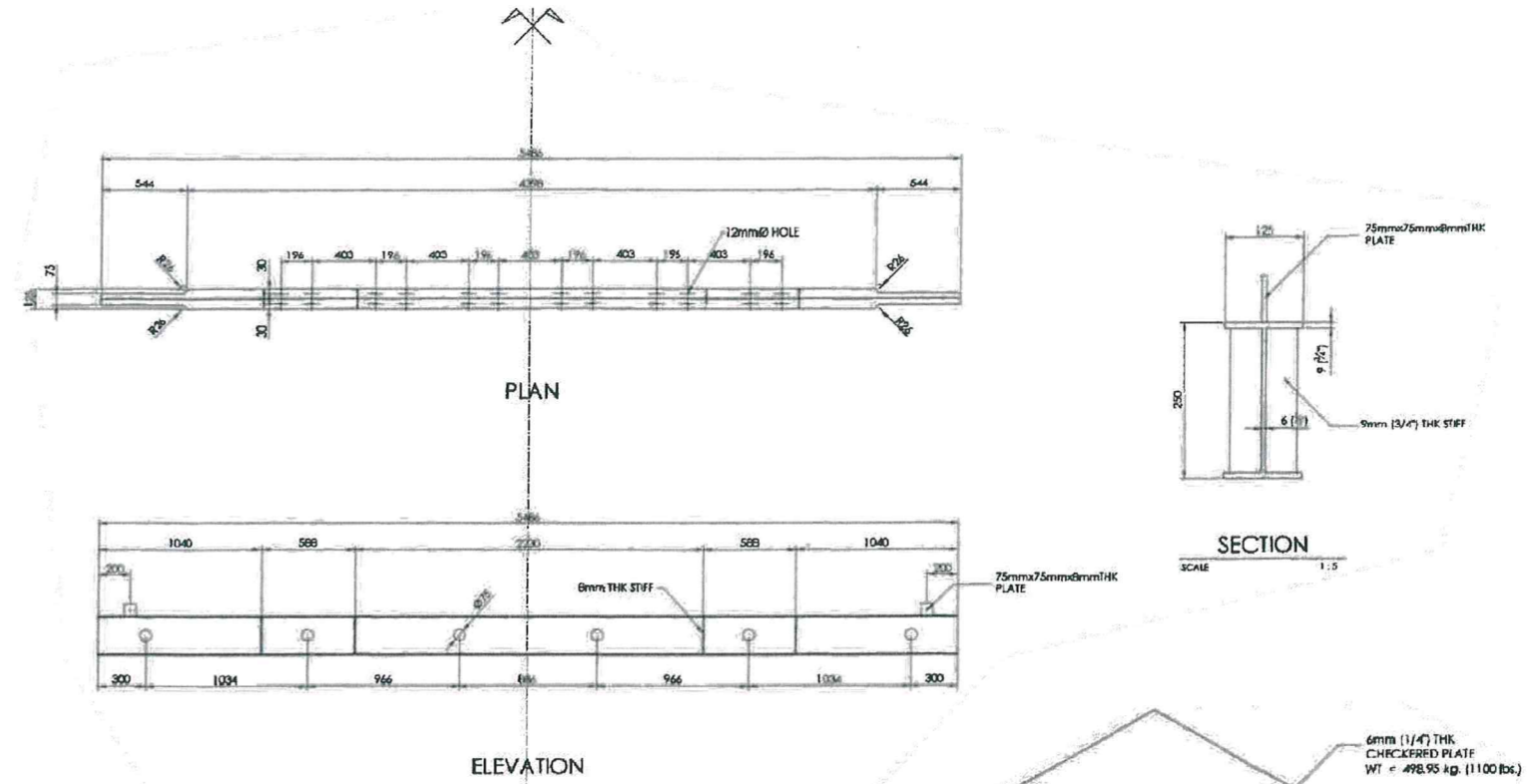


SHENIME	LEGJENDA	Bashkia	GRUPI I PROJEKTIMIT	
		Kukes	Inzhinier	-----
		ZV/Kryetar		
		Granit Gjana		
			Ing. Xhem Neçi Lic. K1034/2	
			MK. 10/06	
			Shkalla 1:125	
			Formati A3L	Fleta Nr. A-03
			Data Shtator / 2023	

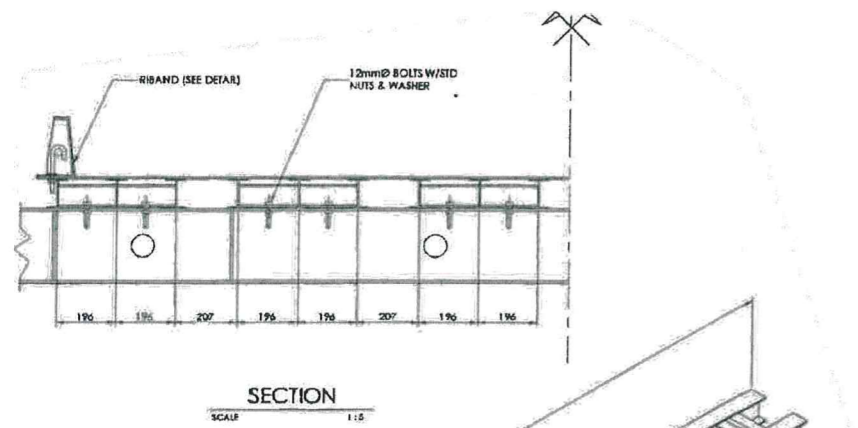
DETAJE



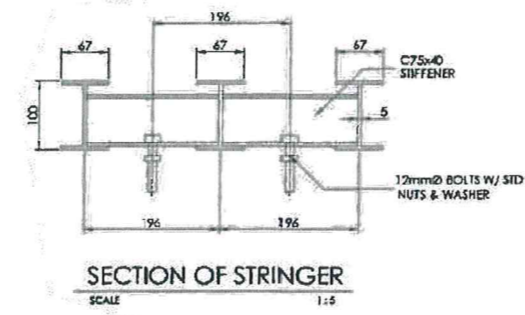
1 TYPICAL ROADWAY CROSS SECTION
SCALE: 1:20



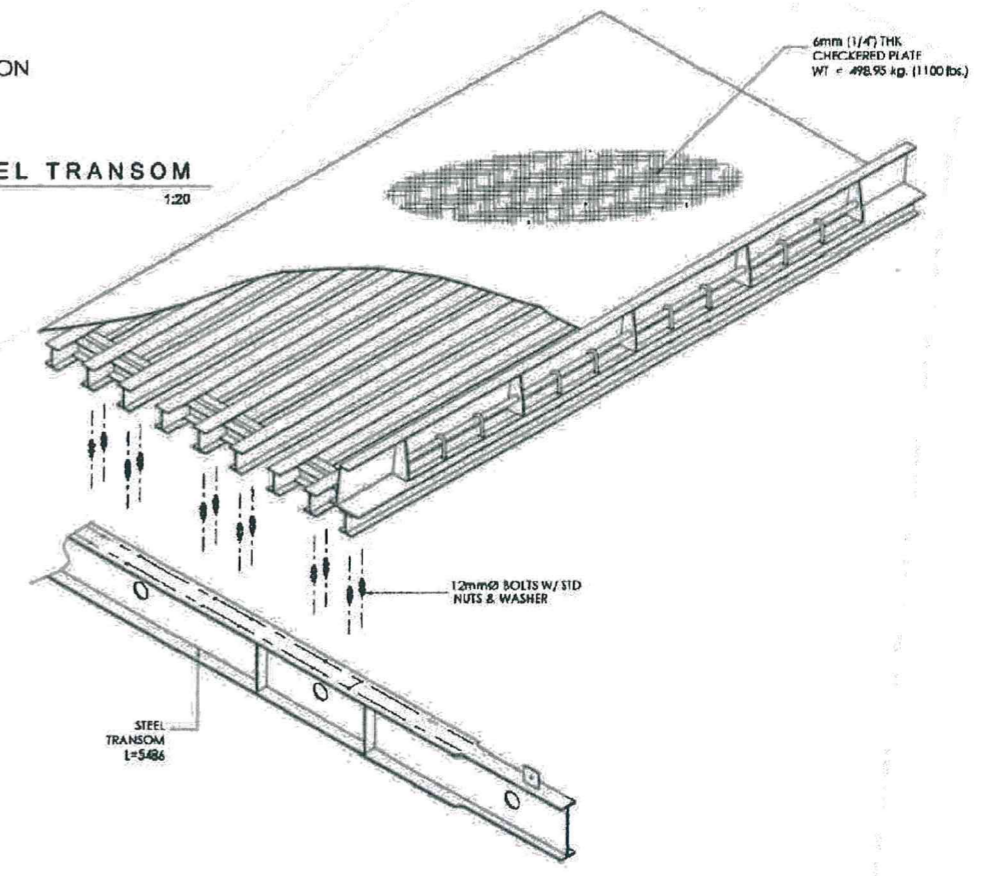
3 DETAIL OF STEEL TRANSOM
SCALE: 1:20



2 DETAIL OF STRINGERS
SCALE: 1:10

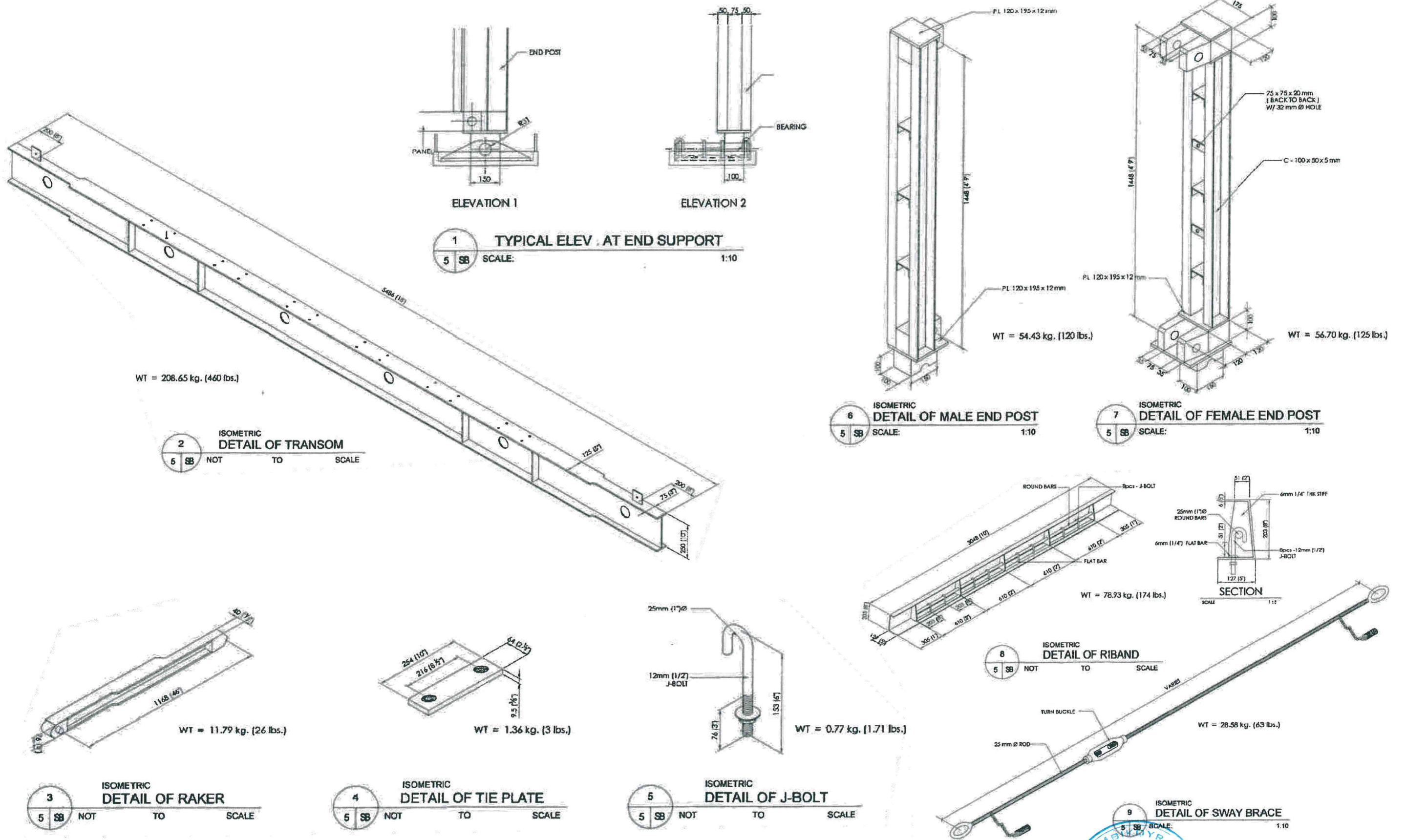


4 DETAIL CONNECTION OF STRINGER & TRANSOM
SCALE: NOT TO



SHENIME	LEGJENDA	Bashkia	GRUPI PROJEKTIMIT	
		Kukes	Inxhinier	----
		ZV/Kryetar	Ing. Xhem Neçi Lic. K1034/2	
		Granit Gjana		
				Shkalla 1:125
				Formati A3L Fleta Nr. A-04
				Data Shtator / 2023

DETAJE



SHENIME

LEGJENDA

Bashkia
 Kukes
 ZV/Kryetar
 Granit Gjana

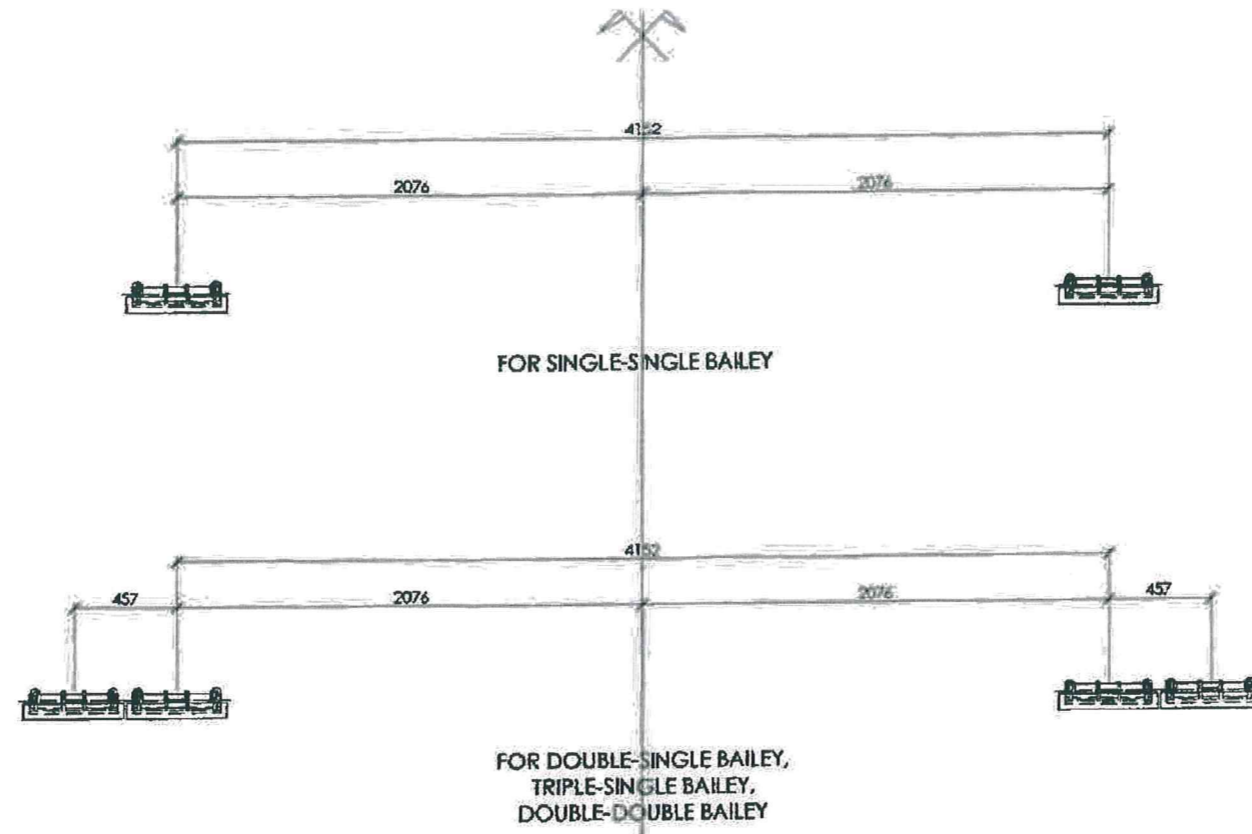
GRUPI PROJKTIMIT

Inxhinier
 Ing. Xhem Neçi Lic. K1034/2

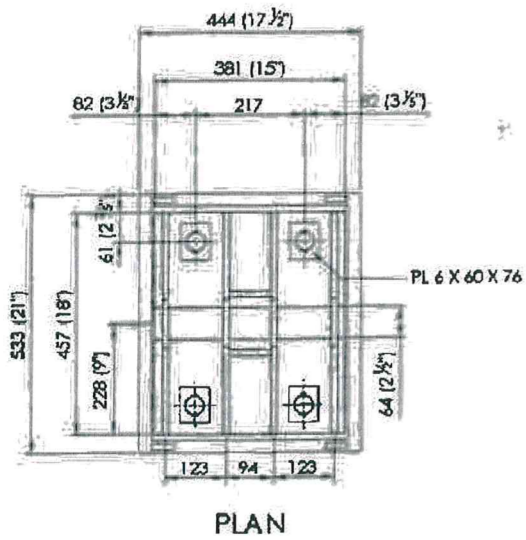
M.K. Proje

Shkalla 1:125
 Formati A3L Fleta Nr. A-05
 Data Shtator / 2023

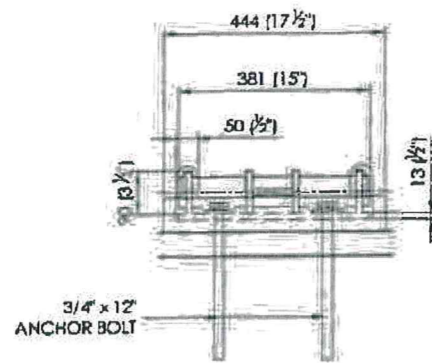
DETAJE



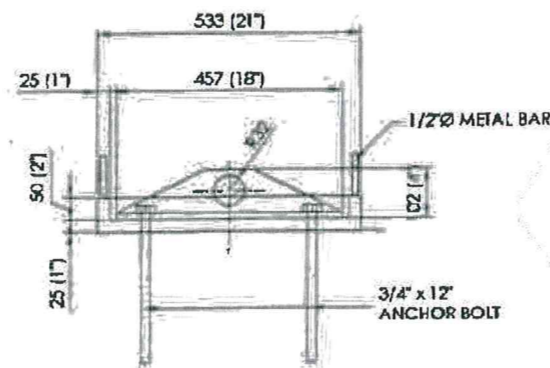
2 LOCATION OF BEARINGS SCALE: 1:20



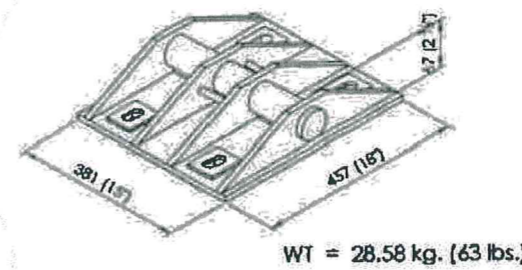
PLAN



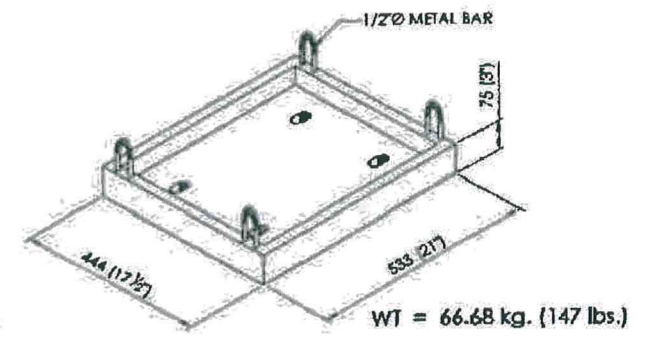
ELEVATION 1



ELEVATION 2



BEARING ISOMETRIC



BEARING PLATE ISOMETRIC

3 DETAIL OF BEARING & PLATE SCALE: 1:10

SHENIME

LEGJENDA

Bashkia

Kukes

ZV/Kryetar

Granit Gjana

GRUPI I PROJEKTIMIT

Inxhinier

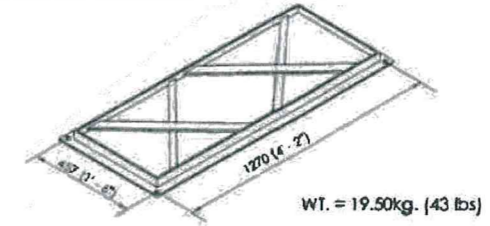
Mg. Xhem Neçi Lic. K1034/2

Shkalla 1:125
Formati A3L Fleta Nr. A-06
Data Shtator / 2023

DETAJE

REQUIRED PANEL TYPE BASED ON SPAN LENGTH								
SPAN LENGTH (M)	9.144	12.192	15.240	18.288	21.336	24.384	27.432	30.480
M 13.5	SS	SS	SS	SS	DS	DS	DS	TS
Ms 13.5	SS	SS	SS	DS	DS	TS	TS	TS
M 18	SS	SS	SS	DS	DS	TS	TS	DD
MS 18	SS	SS	DS	DS	TS	TS	DD	DD

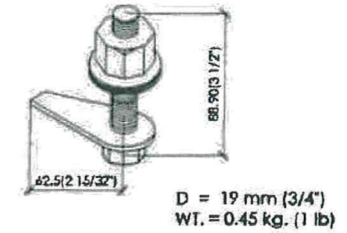
NOTE :
 SS-SINGLE-SINGLE
 DS-DOUBLE-SINGLE
 TS-TRIPLE-SINGLE
 DD-DOUBLE-DOUBLE



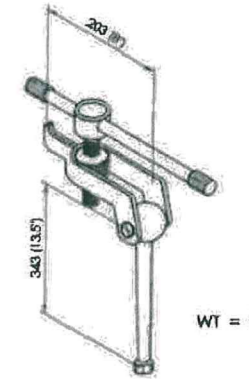
1 ISOMETRIC BRACING FRAME
 2 SB NOT TO SCALE



3 ISOMETRIC PANEL PIN
 2 SB NOT TO SCALE



2 ISOMETRIC BRACING/RAKER BOLT
 2 SB NOT TO SCALE

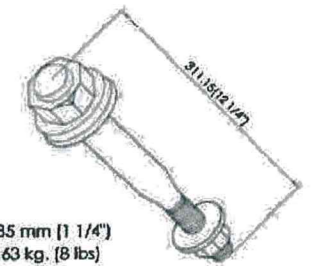


4 ISOMETRIC TRANSOM CLAMP
 2 SB NOT TO SCALE



D = 12 mm (1/2")
 WT. = 0.23 kg. (0.5 lb.)

5 ISOMETRIC STRINGER BOLT
 2 SB NOT TO SCALE



D = 6.35 mm (1/4")
 WT. = 3.63 kg. (8 lbs.)

6 ISOMETRIC CHORD BOLT
 2 SB NOT TO SCALE

SUPERSTRUCTURE QUANTITIES BASED ON SPAN LENGTH (Kg)											
SPAN LENGTH (M)		3.048	6.096	9.144	12.192	15.240	18.288	21.336	24.384	27.432	30.480
403(4)A2	STRUCTURAL STEEL, FURNISHED AND FABRICATED (GRADE 50)	3,513	6,422	9,331	12,241	18,603	22,135	30,221	34,337	43,249	47,950

	SASIA PER CDO SET (PER CDO 3.048ML)											
	NR	SINGLE-SINGLE					DOUBLE-SINGLE					TOTAL
		DIMENSIONET(M)			SASIA(Kg)		DIMENSIONET(M)			SASIA(Kg)		
		LARTESIA	GJERESIA	GJATESIA	PER COPE	TOTAL	LARTESIA	GJERESIA	GJATESIA	PER COPE	TOTAL	
BAILEY PANEL	2	1.55	0.178	3.048	272.16	544.32	4	1.55	0.178	3.048	272.16	1088.64
PANEL PIN	4		ø 0.0476	0.203	2.720	10.88	8		ø 0.0476	0.203	2.720	21.76
TRANSOM	4	3.048	0.127	5.486	208.65	834.60	4	3.048	0.127	5.486	208.65	834.60
TRANSOM CLAMP	8		0.203	0.343	3.18	25.44	16		0.203	0.343	3.180	50.88
STRINGERS (PLAIN) - 3 PC SET	6	0.102	0.064	3.048	117.93	707.58	6	0.102	0.064	3.048	117.93	707.58
BOLT (STRINGER)	96		ø 0.0127	0.089	0.23	22.08	96		ø 0.0127	0.089	0.23	22.08
SWAY BRACING	2		ø 0.0254		28.58	57.16	2		ø 0.0254		28.58	57.16
STEEL CHECKERED PLATE	1	0.006	3.531	3.048	498.95	498.95	1	0.006	3.531	3.048	498.95	498.95
BRACING FRAME							2	1.270	0.457		19.50	39.00
BOLT (BRACING)							8		ø 0.01905	0.089	0.45	3.60
BOLT (CHORD)												
RAKER	4	0.076	0.038	1.067	11.79	47.16	4	0.076	0.038	1.067	11.79	47.16
BOLT (RAKER)	8		ø 0.019	0.089	0.45	3.60	8		ø 0.01905	0.089	0.45	3.60
RIBAND (CURB)	2	0.203	0.127	3.048	78.93	157.86	2	0.203	0.127	3.048	78.93	157.86
TIE PLATE												
1.PESHA TOTALE (Kg)					2909.63					3532.87		
SASIA												
HAPSIRA FUNDORE												
BEARING PLATE	4	0.076	0.445	0.533	66.68	266.72	4	0.076	0.445	0.533	66.68	266.72
BEARING	4	0.016	0.381	0.457	28.58	114.32	8	0.016	0.381	0.457	28.58	228.64
END POST (MALE)	2	1.448			54.43	108.86	4	1.448			54.43	217.72
END POST (FEMALE)	2	1.448			56.70	113.40	4	1.448			56.70	226.80
BRACING FRAME FOR END SPANS												
BOLT (BRACING) FOR END SPANS												
2.PESHA TOTALE (Kg)					603.30					939.88		
PESHA TOTALE (1+2) (Kg)					3512.93					4472.75		



SHENIME

LEGJENDA

Bashkia

Kukes

ZV/Kryetar

Granit Gjana

GRUPI I PROJEKTIMIT

Inxhinier

Ing. Xhem Neçi Lic. K1034/2

Shkalla
 Formati A3L Fleta Nr. A-07
 Data Shtator / 2023