



BASHKIA PEQIN



SHOQERIA RAJONALE UJESJELLES KANALIZIME SH.A

# PROJEKT ZBATIMI

## OBJEKTI:

"Rikonstruksion i Ujesjellesit te Fshatrave Trash, Karthnek, Nj.Adm.Sheze, Bashkia Peqin"

LINJAT E DERGIMIT

**POROSITESI :**  
 BASHKIA PEQIN SHOQERIA RAJONALE UJESJELLES KANALIZIME ELBASAN SH.A



**OBJEKTI:**Rikonstruksion i Ujesjellesit te Fshatrave Trash, Karthnek, Nj.Adm.Sheze, Bashkia Peqin

**FAZA:** PROJEKT ZBATIMI



"ARABEL - STUDIO" Sh.p.k



"HMK-Consulting " Sh.p.k



"TRANSPORT HIGHWAY CONSULTING " Sh.p.k

**Drejtues i projektit**

Adm. Ana NISHKU

**Projektues**

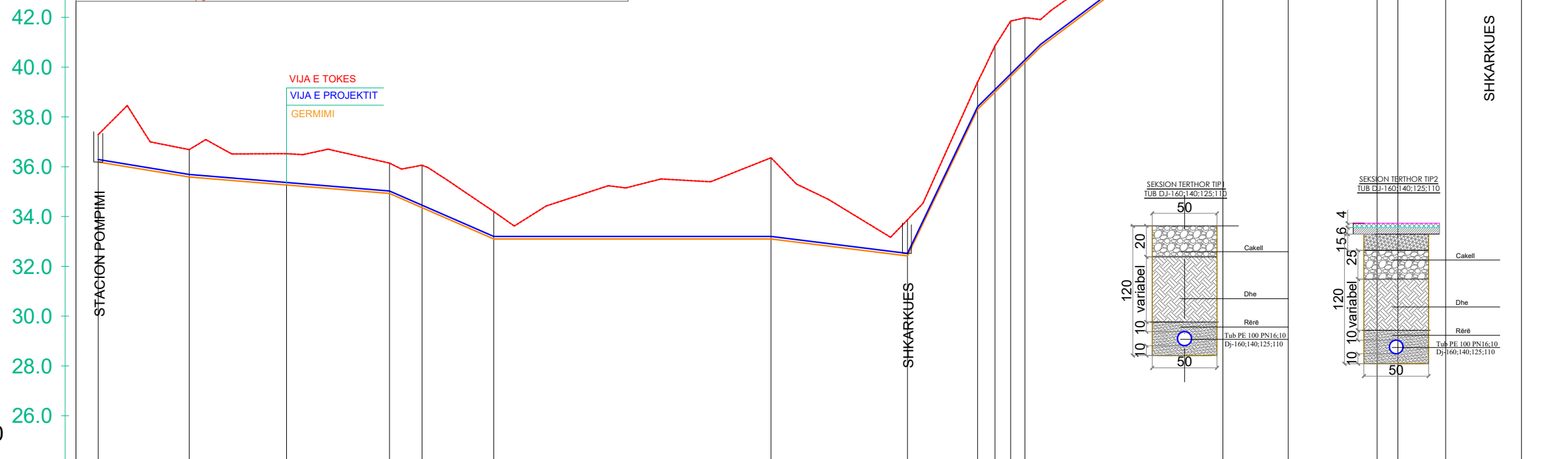
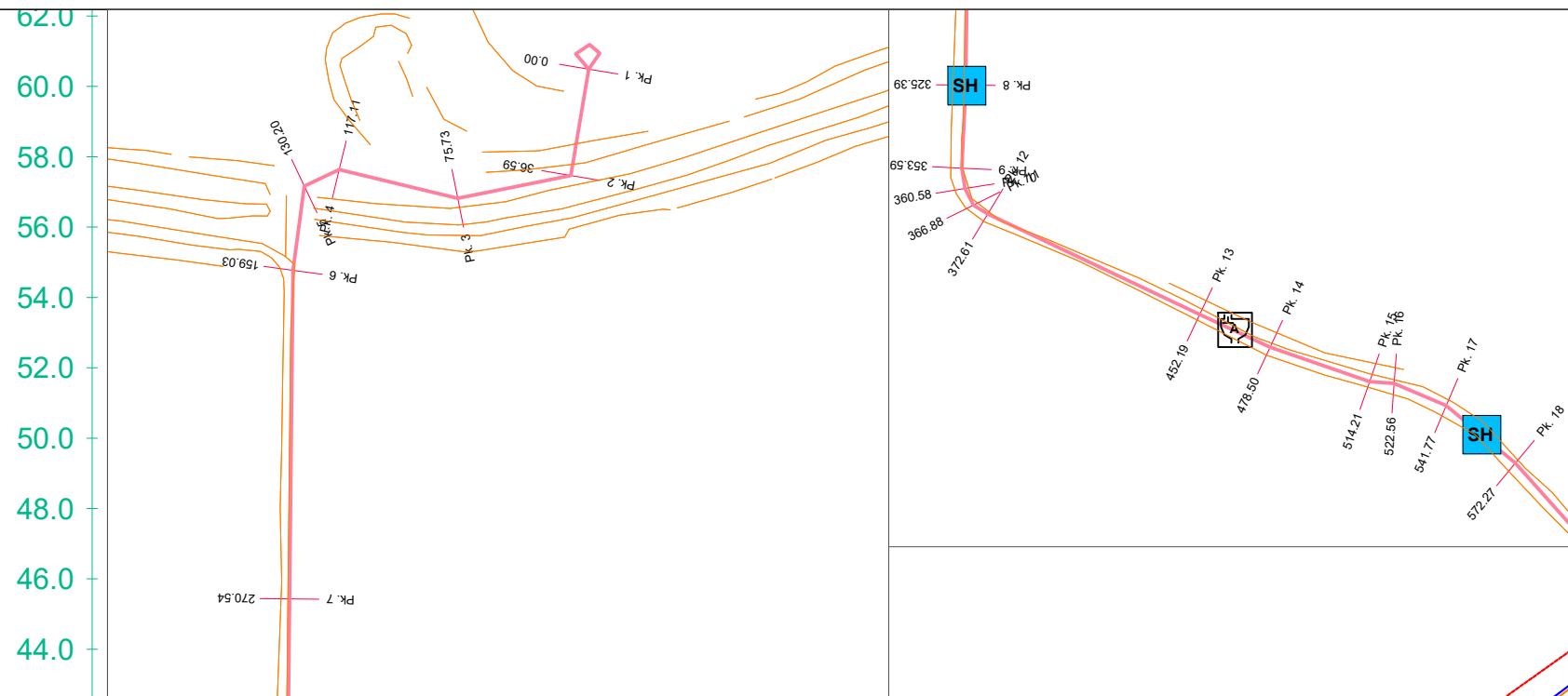
Nd. Liliana VLLAMASI		
Nd.Engjell CAKA		
Ark.Jorgjia Kallo		
Ark.Rigert Hyra		
Elek.Altin ALLKAJ		
Mek.Bujar MERAJ		
Top.Iv Beqari		
Gjeo.Besmir LUMANI		


Emertimi i fletes: Kapaku

Nr. Fletes:	
Shk :	
Formati:	A3

Tiranë 2024

Profili Gjatesor LK SHEZE  
SHv 1:200 SHh 1:2000



SHV 1:100  
SHH 1:1000

HYDRAULIC ELEMENTS ELEMENTET HIDRAULIKE	TUB PE 100 Pn 25 bar OD 125 mm : Q = 7.0 l/s : V= 1.1 m/s																		
EXCAVATION GERMIMI	-1.10	-1.10	-1.26	-1.22	-1.71	-1.10	-3.26	-1.45	-1.10	-1.86	-2.23	-1.79	-1.11	-1.31	-1.25	-1.01	-0.96	-1.18	
PROJECT ELEVATION KUOTA E PROJEKTIT	36.19	35.59	35.26	34.92	34.35	33.10	33.10	32.42	38.30	39.00	39.62	40.19	47.33	47.50	45.03	44.45	43.42	43.24	
GROUND ELEVATION KUOTA E TOKES	37.29	36.69	36.52	36.14	36.06	34.20	36.36	33.87	39.40	40.86	41.85	41.98	48.44	48.81	46.28	45.46	44.38	44.42	
NODE NUMBER NUMRI I PIKETES	1	2	3	4	5	6	7	8	9	10	11	12	13	14	15	16	17	18	
PARTIAL DISTANCE DISTANCA PJESORE		36.59	39.14	41.37	13.09	28.83	90.97	20.54	54.85	28.20	6.99	3.73	79.58	26.31	21.50	14.28	18.35	19.21	30.50
PROGRESSIVE DISTANCE DISTANCA PROGRESIVE	0.00	36.59	75.73	117.11	130.20	159.03	270.54	325.39	353.59	360.58	366.88	372.61	452.19	478.50	514.21	522.56	541.77	572.27	
MILLAGE KILOMETRAZHI	0.00						0.25								0.50				

**POROSITESI :**  
BASHKIA PEQIN SHOGERIA RAJONALE UJESJELLES  
KANALIZIME ELBASAN S.H.A

**OBJEKTI:** Rikonstruksion i Ujesjellesit te Fshatrave Trash, Karthnek, Nj.Adm.Sheze, Bashkia Peqin

**FAZA:** PROJEKT ZBATIMI

**Drejtues i projektit**

Adm. Ana NISHKU

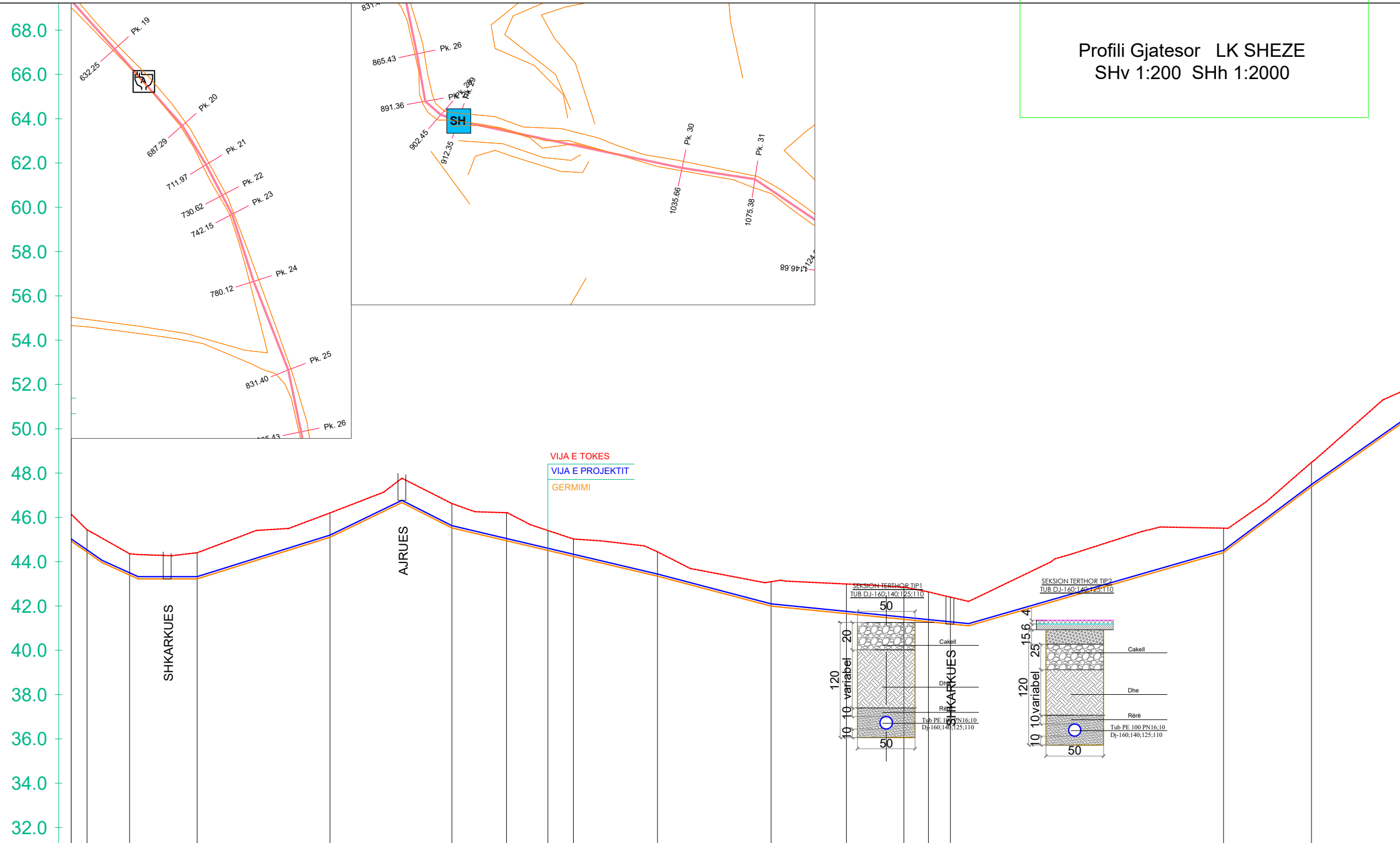
**Projektues**

- Nd. Liliana VLLAMASI
- Nd.Engjell CAKA
- Ark.Jorgjia Kallo
- Ark.Rigert Hyra
- Elek.Altin ALLKAJ
- Mek.Bujar MERAJ
- Top.Iv Beqari
- Gjeo.Besmir LUMANI

EMERTIMI I FLETES: Profili Gjatesor	
Nr. Fletes:	Gj- 01
Shk :	H:1-2000 V:1-200
Formati:	A3

Tiranë 2024

Profili Gjatesor LK SHEZE  
SHv 1:200 SHh 1:2000



**POROSITESI :**  
BASHKIA PEQIN SHOQERIA RAJONALE UJESJELLES KANALIZIME ELBASAN SH.A

**OBJEKTI:** Rikonstruksion i Ujesjellesit te Fshatrave Trash, Karthnek, Nj.Adm.Sheze, Bashkia Peqin

**FAZA:** PROJEKT ZBATIMI

**Drejtues i projektit**

Adm. Ana NISHKU

**Projektues**

Nd. Liliana VLLAMASI	
Nd.Engjell CAKA	
Ark.Jorgjia Kallo	
Ark.Rigert Hyra	
Elek.Altin ALLKAJ	
Mek.Bujar MERAJ	
Top.Iv Beqari	
Gjeo.Besmir LUMANI	


Emertimi i fletes: Profili Gjatesor

Nr. Fletes: **Gj- 02**

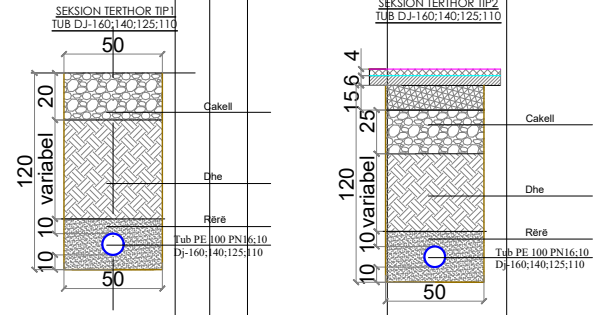
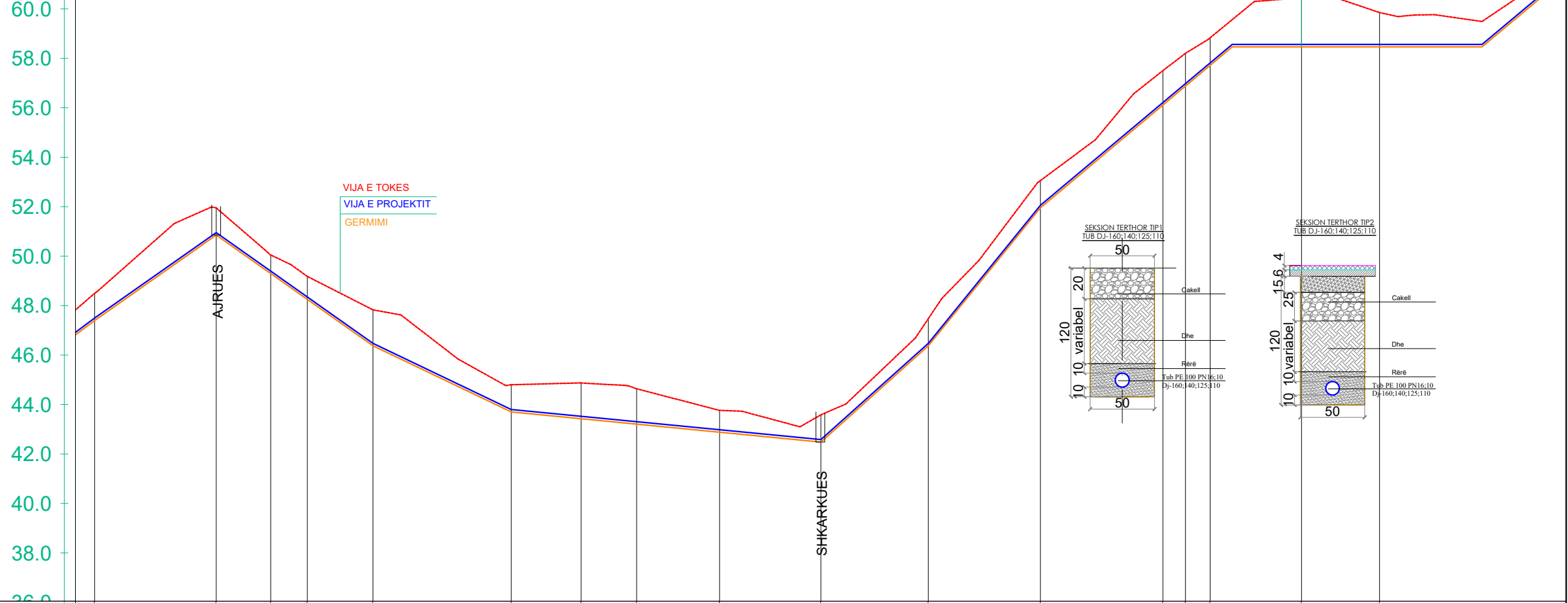
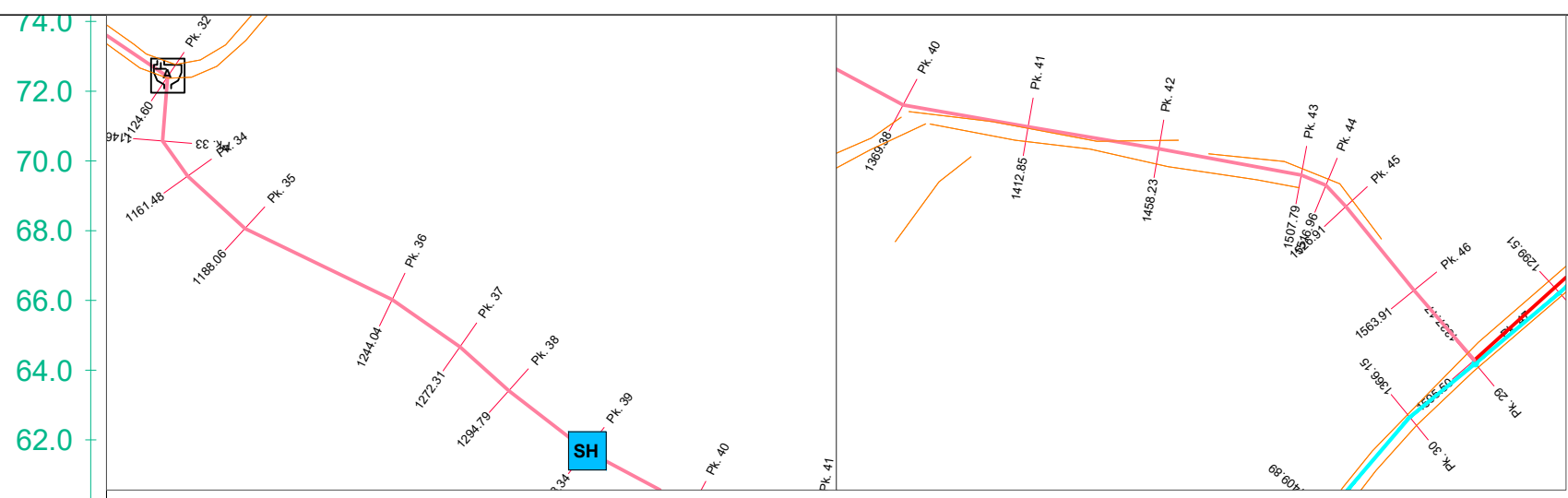
Shk : H:1-2000  
V:1-200

Formati: **A3**

**Tiranë 2024**

HYDRAULIC ELEMENTS ELEMENTET HIDRAULIKE	TUB PE 100 Pn 25 bar OD 125 mm : Q = 7.0 l/s : V = 1.1 m/s															TUB PE 100 Pn 25 bar OD 125 mm : Q = 7.0 l/s : V = 1.1 m/s								
EXCAVATION GERMIMI	-1.01	-0.96	-1.18	-1.10	-1.10	-1.27	-0.90	-0.79	-1.10	-1.10	-1.34	-1.46	-1.35	-1.21	-1.10	-1.10								
PROJECT ELEVATION KUOTA E PROJEKTTIT	44.45	43.42	43.24	45.12	45.54	44.97	44.53	44.26	43.36	42.01	41.68	41.42	41.31	41.21	44.43	47.40								
GROUND ELEVATION KUOTA E TOKES	45.46	44.38	44.42	46.22	46.64	46.23	45.43	45.04	44.46	43.11	43.01	42.87	42.66	42.42	45.53	48.50								
NODE NUMBER NUMRI I PIKETES	16	17	18	19	20	21	22	23	24	25	26	27	28	29	30	31								
PARTIAL DISTANCE DISTANCA PJESORE	3.35	19.21	30.50	59.99	55.04	24.68	18.64	11.53	8.85	30.12	51.28	34.03	25.93	11.09	9.91	87.65	35.66	39.72	49.22					
PROGRESSIVE DISTANCE DISTANCA PROGRESIVE	522.56	541.77	572.27	632.25	687.29	711.97	730.62	742.15	780.12	831.40	865.43	891.36	902.45	912.35	1035.66	1075.38								
MILLAGE KILOMETRAZHI								0.75							1.00									
NOTES SHENIME																								

Profili Gjatesor LK SHEZE  
SHv 1:200 SHh 1:2000



**POROSITESI :**  
BASHKIA PEQIN SHOGERIA RAJONALE UJESJELLES  
KANALIZIME ELBASAN SH.A

**OBJEKTI:** Rikonstrukcion i Ujesjellesit te Fshatrave Trash, Karthnek, Nj. Adm. Sheze, Bashkia Peqin

**FAZA:** PROJEKT ZBATIMI

**Drejtues i projektit**

Adm. Ana NISHKU

**Projektues**

Nd. Liliana VLLAMASI	
Nd. Engjell CAKA	
Ark. Jorgjia Kallo	
Ark. Rigert Hyra	
Elek. Altin ALLKAJ	
Mek. Bujar MERAJ	
Top. Iv Beqari	
Gjeo. Besmir LUMANI	


Emertimi i fletes: Profili Gjatesor

Nr. Fletes: **Gj- 03**

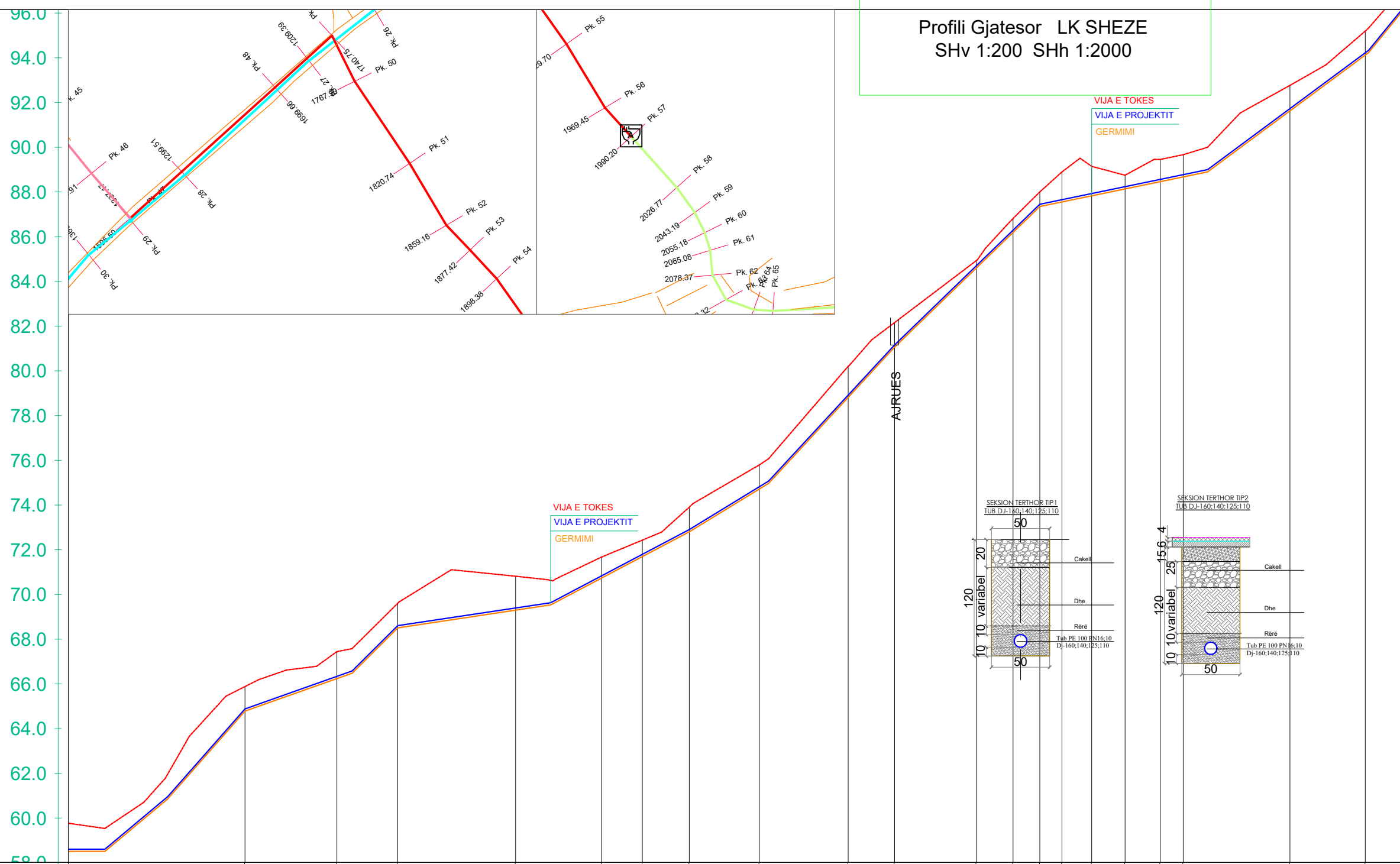
Shk : H:1-2000  
V:1-200

Formati: **A3**

**Tiranë 2024**

HYDRAULIC ELEMENTS ELEMENTET HIDRAULIKE	v/s	TUB PE 100 Pn 25 bar OD 125 mm : Q = 7.0 l/s : V = 1.1 m/s																	
EXCAVATION GERMIMI		-1.10	-1.10	-0.74	-0.93	-1.46	-1.10	-1.45	-1.43	-0.88	-1.10	-1.10	-1.10	-1.39	-1.32	-1.12	-1.98	-1.39	
PROJECT ELEVATION KUOTA E PROJEKTTIT		47.40	50.86	49.30	48.26	46.38	43.71	43.43	43.21	42.89	42.49	46.38	51.96	56.12	56.89	57.72	58.47	58.47	
GROUND ELEVATION KUOTA E TOKES		48.50	51.96	50.04	49.19	47.84	44.81	44.88	44.64	43.77	43.59	47.48	53.06	57.51	58.21	58.84	60.45	59.86	
NODE NUMBER NUMRI I PIKETES		31	32	33	34	35	36	37	38	39	40	41	42	43	44	45	46	47	
PARTIAL DISTANCE DISTANCA PJESORE		49.22	22.08	14.80	26.58	55.98	5.96	22.31	22.48	33.55	41.04	43.48	45.37	41.77	7.79	10.96	36.99	31.59	104.16
PROGRESSIVE DISTANCE DISTANCA PROGRESIVE		1075.38	1124.60	1146.68	1161.48	1188.06	1244.04	1272.31	1294.79	1328.34	1369.38	1412.85	1458.23	1507.79	1516.96	1526.91	1563.91	1595.50	
MILLAGE KILOMETRAZHI							0.25							0.50					
NOTES SHENIME																			

Profili Gjatesor LK SHEZE  
SHv 1:200 SHh 1:2000



**POROSITESI :**  
BASHKIA PEQIN SHOQERIA RAJONALE UJESJELLES KANALIZIME ELBASAN SH.A

**OBJEKTI:** Rikonstruksion i Ujesjellesit te Fshatrave Trash, Karthnek, Nj. Adm. Sheze, Bashkia Peqin

**FAZA:** PROJEKT ZBATIMI

**Drejtues i projektit**

Adm. Ana NISHKU

**Projektues**

Nd. Liliana VLLAMASI	
Nd. Engjell CAKA	
Ark. Jorgjia Kallo	
Ark. Rigert Hyra	
Elek. Altin ALLKAJ	
Mek. Bujar MERAJ	
Top. Iv Beqari	
Gjeo. Besmir LUMANI	


Emertimi i fletes: Profili Gjatesor

Nr. Fletes: **Gj- 04**

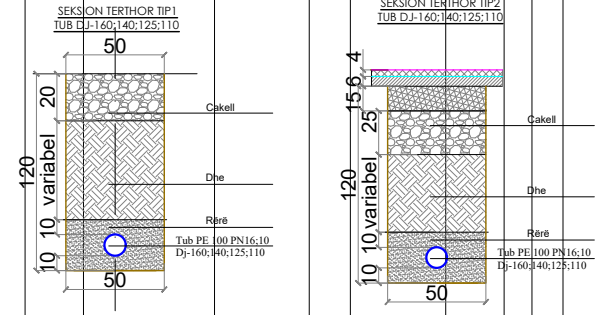
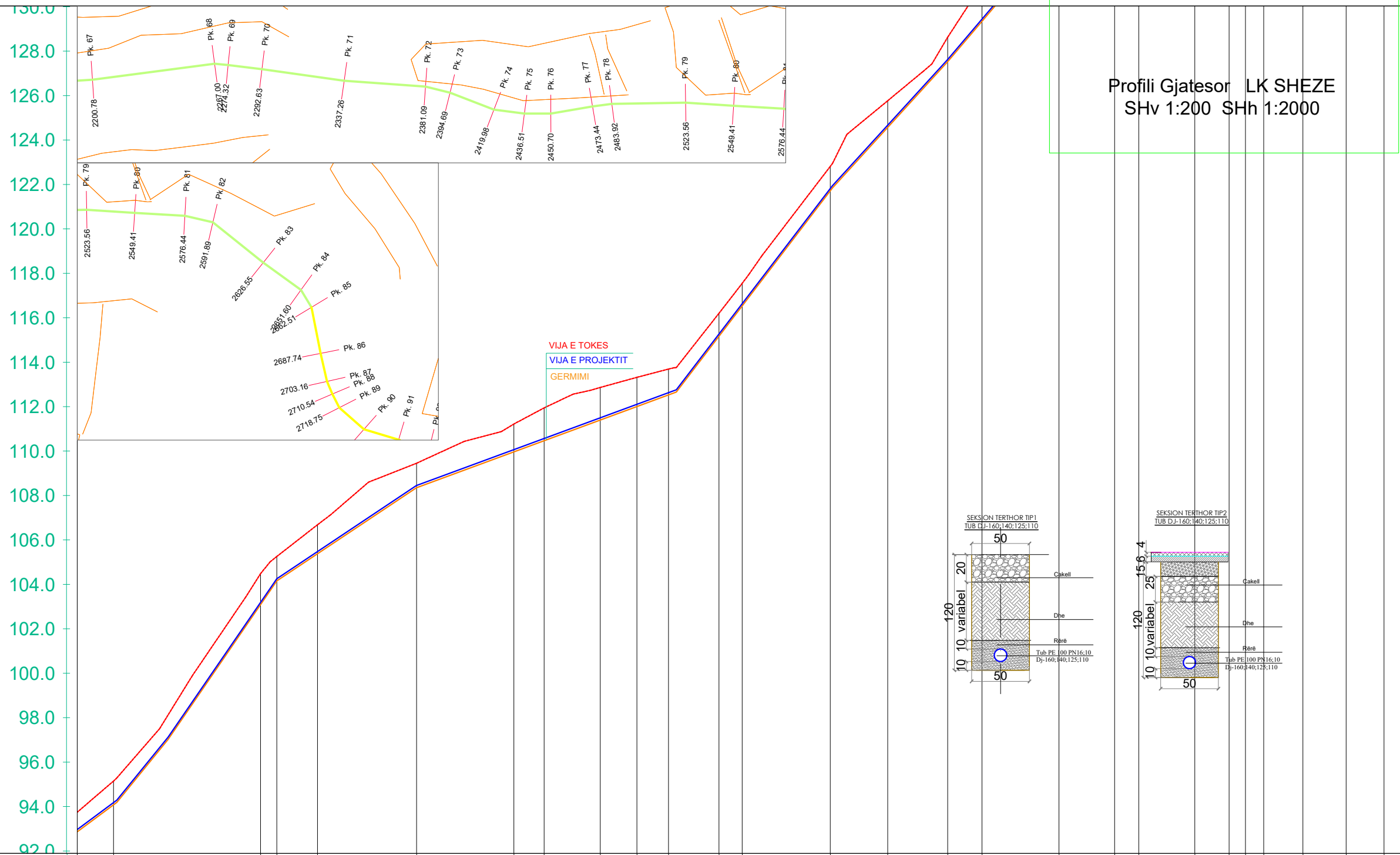
Shk : H:1-2000 V:1-200

Formati: **A3**

**Tiranë 2024**

HYDRAULIC ELEMENTS ELEMENTET HIDRAULIKE	TUB PE 100 Pn 20 bar OD 125 mm : Q = 7.0 l/s : V= 0.95 m/s																TUB PE 100 Pn 16 bar OD 125 mm : Q = 7.0 l/s :																									
EXCAVATION GERMIMI			-1.10		-1.21		-1.10		-1.52		-0.94		-0.73		-1.10		-1.08		-1.39		-1.10		-0.33		-0.62		-0.65		-1.34		-1.32		-0.61		-0.99		-0.99		-1.14		-1.07	
PROJECT ELEVATION KUOTA E PROJEKTIT			64.74		66.20		68.47		69.26		70.69		71.66		72.76		74.68		78.78		81.02		84.56		86.15		87.31		87.52		87.79		88.10		88.42		88.64		91.59		94.09	
GROUND ELEVATION KUOTA E TOKES			65.84		67.40		69.57		70.78		71.63		72.39		73.86		75.75		80.16		82.12		84.89		86.77		87.96		88.86		89.11		88.71		89.42		89.63		92.73		95.16	
NODE NUMBER NUMRI I PIKETES			48		49		50		51		52		53		54		55		56		57		58		59		60		61		62		63		64		65		66		67	
PARTIAL DISTANCE DISTANCA PJESORE	104.16			41.09	9.25	17.99		52.75		38.42		18.26	20.96		31.33		39.75		20.75	9.80		26.77		16.42	11.99	9.01	3.29	14.95		15.72	10.28		47.76		33.70		49					
PROGRESSIVE DISTANCE DISTANCA PROGRESIVE			1699.66		1740.75		1767.99		1820.74		1859.16		1877.42		1898.38		1929.70		1969.45		1990.20		2026.77		2043.19		2055.18		2065.08		2078.37		2093.32		2109.04		2119.32		2167.08		2200.78	
MILLAGE KILOMETRAZHI						1.75															2.00																					
NOTES SHENIME																																										

Profili Gjatesor LK SHEZE  
SHv 1:200 SHh 1:2000



HYDRAULIC ELEMENTS ELEMENTET HIDRAULIKE	m : Q = 7.0 l/s : V = 0.85 m/s		TUB PE 100 Pn 16 bar OD 125 mm : Q = 7.0 l/s : V = 0.85 m/s										TUB PE 100 Pn 10 bar OD 110 mm																	
EXCAVATION GERMIMI	-1.07	-1.39	-1.10	-1.31	-1.10	-1.25	-1.48	-1.47	-1.31	-1.16	-1.03	-1.02	-1.10	-1.20	-1.10	-1.65	-1.10	-1.65	-1.90	-1.10	-0.73	-1.10	-1.46	-1.07	-1.10					
PROJECT ELEVATION KUOTA E PROJEKTTIT	94.09	103.10	104.17	105.39	108.36	109.98	110.48	111.41	112.01	112.54	115.18	116.55	121.72	124.57	127.54	129.35	133.44	136.53	137.87	140.98	142.74	143.58	144.75	147.26	149.57	151.04				
GROUND ELEVATION KUOTA E TOKES	95.16	104.49	105.27	106.69	109.46	111.23	111.95	112.87	113.33	113.70	116.21	117.56	122.82	125.78	128.64	131.01	134.54	138.17	139.77	142.08	143.47	144.68	146.04	148.71	150.63	152.14				
NODE NUMBER NUMRI I PIKETES	67	68	69	70	71	72	73	74	75	76	77	78	79	80	81	82	83	84	85	86	87	88	89	90	91	92				
PARTIAL DISTANCE DISTANCA PJESORE	70	49.22	17.00	7.32	18.31	44.63	43.83	13.60	25.30	16.52	14.20	22.73	10.48	16.08	23.56	25.85	27.03	15.45	34.66	25.05	10.91	25.23	15.42	7.38	21.17	6.65	13.59	5.87	17.05	18.30
PROGRESSIVE DISTANCE DISTANCA PROGRESIVE	2200.78	2267.00	2274.32	2292.63	2337.26	2381.09	2394.69	2419.98	2436.51	2450.70	2473.44	2483.92	2523.56	2549.41	2576.44	2591.89	2626.55	2651.60	2662.51	2687.74	2703.16	2710.54	2718.75	2736.41	2755.87	2772.92				
MILLAGE KILOMETRAZHI		0.25										0.50												0.75						

NOTES SHENIME

**POROSITESI :**  
BASHKIA PEQIN SHOGERIA RAJONALE UJESJELLES  
KANALIZIME ELBASAN S.H.A

**OBJEKTI:** Rikonstrukcion i Ujeshellesit te Fshatrave Trash, Karthnek, Nj. Adm. Sheze, Bashkia Peqin

**FAZA:** PROJEKT ZBATIMI

"ARABEL - STUDIO" Sh.p.k

"HMK-Consulting" Sh.p.k

"TRANSPORT HIGHWAY CONSULTING" Sh.p.k

**Drejtues i projektit**

Adm. Ana NISHKU

Projektues	
Nd. Liliana VLLAMASI	
Nd. Engjell CAKA	
Ark. Jorgjia Kallo	
Ark. Rigert Hyra	
Elek. Altin ALLKAJ	
Mek. Bujar MERAJ	
Top. Iv Beqari	
Gjeo. Besmir LUMANI	

Emertimi i fletes: Profili Gjatesor

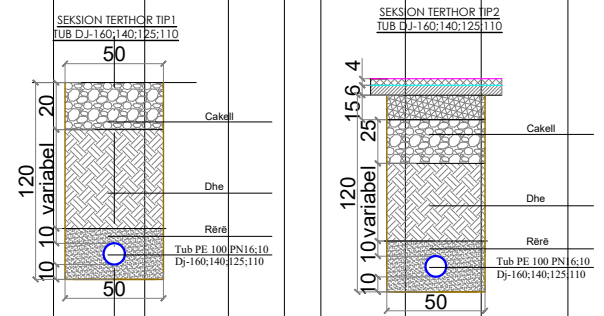
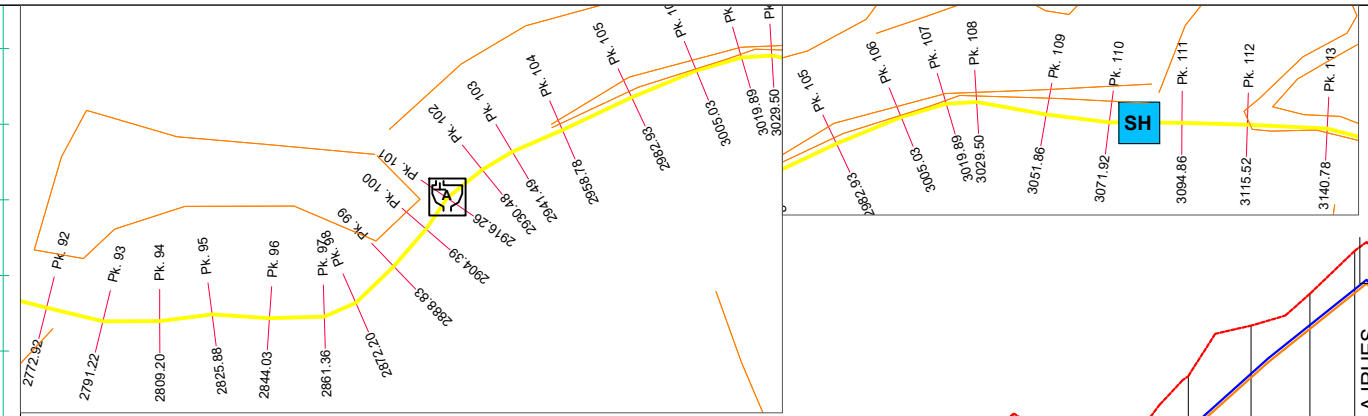
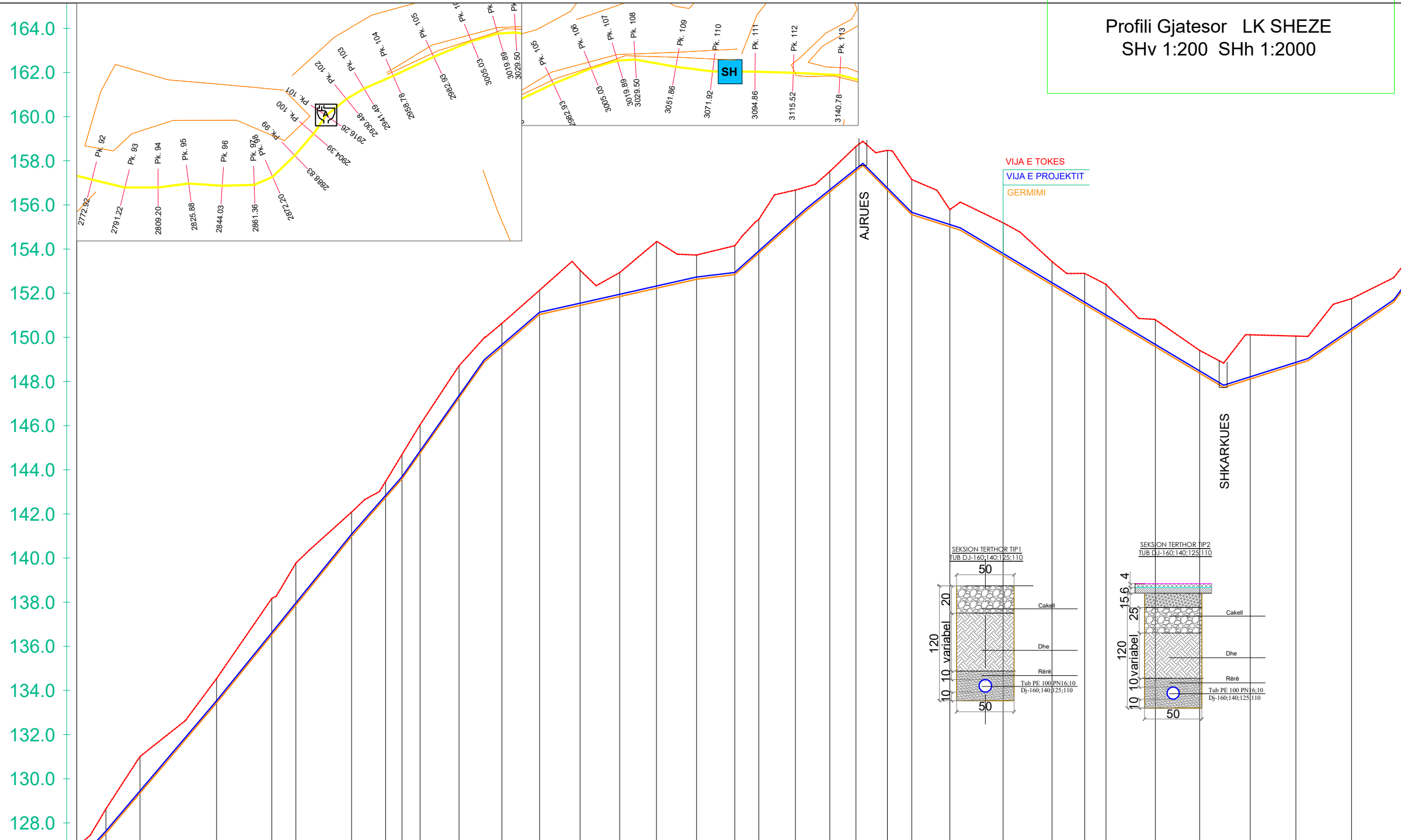
Nr. Fletes: **Gj- 05**

Shk : H:1-2000  
V:1-200

Formati: **A3**

**Tiranë 2024**

Profili Gjatesor LK SHEZE  
SHv 1:200 SHh 1:2000



HYDRAULIC ELEMENTS ELEMENTET HIDRAULIKE	TUB PE 100 Pn 10 bar OD 110 mm : Q = 7.0 l/s : V= 0.95 m/s																												TUB PE 100 Pn 10 bar OD 110 mm : Q = 7.0 l/s																											
EXCAVATION GERMIMI	-1.10	-1.65	-1.10	-1.65	-1.90	-1.10	-0.73	-1.10	-1.07	-1.10	-1.60	-1.08	-2.11	-1.10	-1.31	-1.52	-1.37	-0.93	-1.12	-1.81	-1.59	-0.78	-1.49	-1.06	-1.41	-1.48	-1.22	-1.03	-2.00	-1.29	-1.46																									
PROJECT ELEVATION KUOTA E PROJEKTTIT	127.54	129.35	133.44	136.53	137.87	140.98	142.74	143.58	144.75	147.26	149.57	151.04	151.45	151.85	152.22	152.63	152.84	153.81	155.30	156.59	157.54	156.67	153.70	152.38	151.49	150.92	149.58	148.38	148.11	148.77	150.30																									
GROUND ELEVATION KUOTA E TOKES	128.64	131.01	134.54	138.17	139.77	142.08	143.47	144.68	146.04	148.71	150.63	152.14	153.04	152.94	154.33	153.73	154.15	155.34	156.67	157.52	158.65	157.15	155.79	155.19	153.44	152.90	152.40	150.80	149.41	150.12	150.06	151.76																								
NODE NUMBER NUMRI I PIKETES	81	82	83	84	85	86	87	88	89	90	91	92	93	94	95	96	97	98	99	100	101	102	103	104	105	106	107	108	109	110	111	112	113																							
PARTIAL DISTANCE Distanca Pjesore	03	15.45	34.66	25.05	10.91	25.23	15.42	38.21	117.65	13.55	5.87	17.05	18.30	17.97	16.68	18.15	17.33	10.84	16.63	15.56	11.86	14.22	1.02	17.29	24.15	17.07	0.03	4.85	9.61	22.36	20.06	22.94	20.66	25.26	37.87																					
PROGRESSIVE DISTANCE Distanca Progresive	2576.44	2591.89	2626.55	2651.60	2662.51	2687.74	2703.16	2710.54	2718.75	2736.41	2755.87	2772.92	2791.22	2809.20	2825.88	2844.03	2861.36	2872.20	2888.83	2904.39	2916.26	2930.48	2941.49	2958.78	2982.93	3005.03	3019.89	3029.50	3051.86	3071.92	3094.86	3115.52	3140.78																							
MILLAGE KILOMETRAZHI										2.75															3.00																															
NOTES SHENIME																																																								

**POROSITESI :**  
BASHKIA PEQIN SHOGERIA RAJONALE UJESJELLES  
KANALIZIME ELBASAN SH.A

**OBJEKTI:** Rikonstruksion i Ujesjellesit te Fshatrave Trash, Karthnek, Nj. Adm. Sheze, Bashkia Peqin

**FAZA:** PROJEKT ZBATIMI

"ARABEL - STUDIO" Sh.p.k

"HMK-Consulting" Sh.p.k

"TRANSPORT HIGHWAY CONSULTING" Sh.p.k

**Drejtues i projektit**  
Adm. Ana NISHKU

**Projektues**

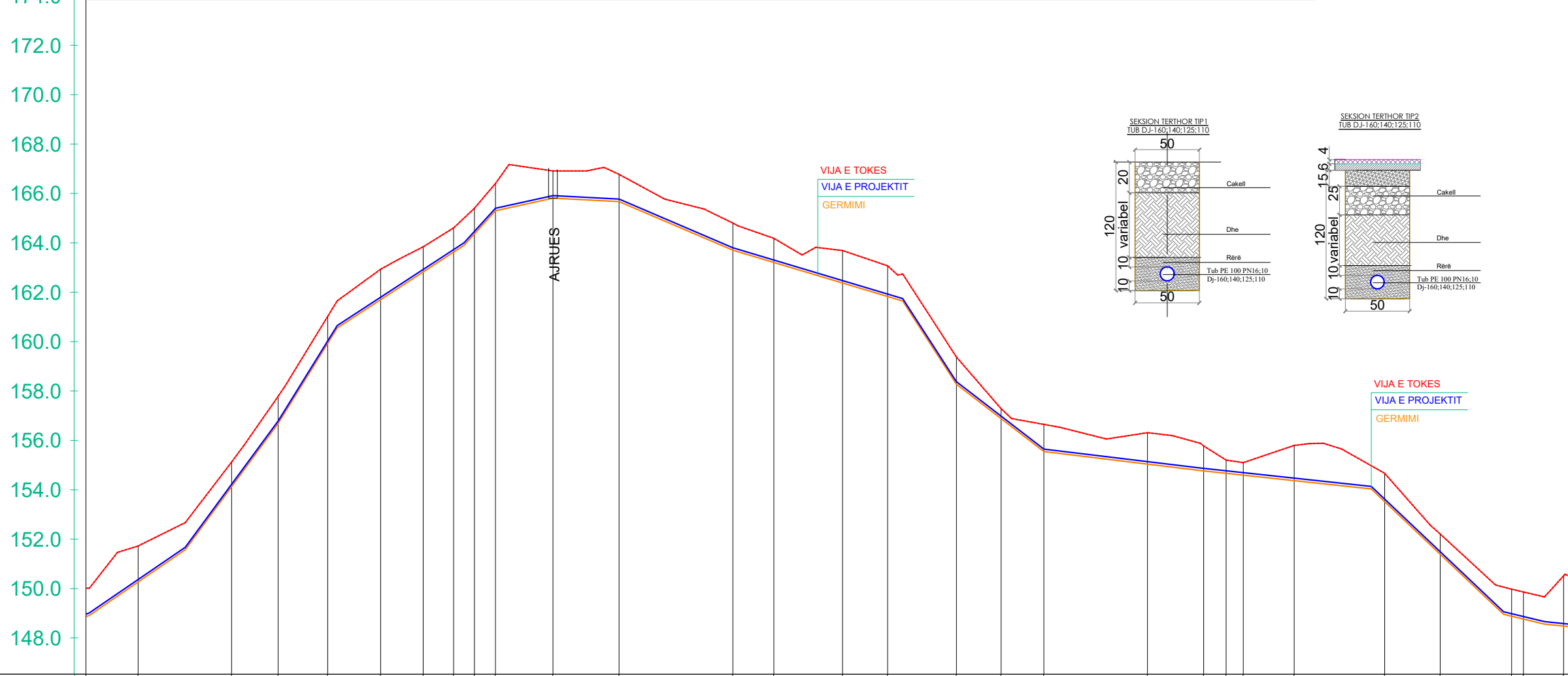
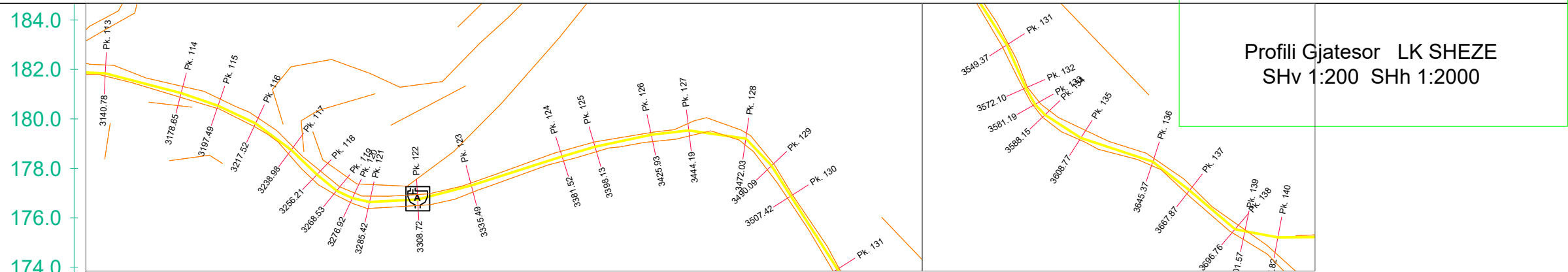
Nd. Liliana VLLAMASI		
Nd. Engjell CAKA		
Ark. Jorgjia Kallo		
Ark. Rigert Hyra		
Elek. Altin ALLKAJ		
Mek. Bujar MERAJ		
Top. Iv Beqari		
Gjeo. Besmir LUMANI		

Emertimi i fletes: Profili Gjatesor

Nr. Fletes:	Gj- 06
Shk :	H:1-2000 V:1-200
Formati:	A3

Tiranë 2024

Profili Gjatesor LK SHEZE  
SHv 1:200 SHh 1:2000



HYDRAULIC ELEMENTS ELEMENTET HIDRAULIKE	10 mm : Q = 7.0 l/s : V = 0.95 m/s	TUB PE 100 Pn 10 bar OD 110 mm : Q = 7.0 l/s : V = 0.95 m/s																												
EXCAVATION GERMIMI	-1.46	-1.00	-1.10	-1.09	-1.23	-1.02	-0.98	-1.03	-1.10	-1.10	-1.10	-0.98	-1.32	-1.24	-1.10	-0.40	-1.10	-1.27	-1.01	-0.53	-0.51	-1.43	-1.14	-0.82	-1.09	-1.09	-2.03			
PROJECT ELEVATION KUOTA E PROJEKTTIT	150.30	154.15	156.72	159.96	161.73	162.86	163.66	164.40	165.33	165.84	165.70	163.73	163.24	162.40	161.86	158.31	156.92	155.58	155.07	154.80	154.70	154.62	154.40	153.55	151.42	148.91	148.80	148.51		
GROUND ELEVATION KUOTA E TOKES	151.76	155.15	157.82	161.05	162.96	163.87	164.64	165.43	166.43	166.94	166.80	164.83	164.21	163.72	163.10	159.41	157.32	156.68	156.34	155.81	155.23	155.13	155.83	154.70	152.24	150.01	149.89	150.55		
NODE NUMBER NUMRI I PIKETES	113	114	115	116	117	118	119	120	121	122	123	124	125	126	127	128	129	130	131	132	133	134	135	136	137	138	139	140		
PARTIAL DISTANCE DISTANCA PJESORE	25.26	37.87	18.84	20.03	21.46	11.00	12.33	3.39	5.50	23.30	26.77	46.03	16.62	27.80	18.25	27.84	18.06	9.97	42	41.95	22.73	9.00	96	20.62	36.60	22.50	28.88	4.8	16.25	
PROGRESSIVE DISTANCE DISTANCA PROGRESIVE	3140.78	3178.65	3197.49	3217.52	3238.98	3256.21	3268.53	3276.92	3285.42	3308.72	3335.49	3381.52	3398.13	3425.93	3444.19	3472.03	3490.09	3507.42	3549.37	3572.10	3581.19	3588.15	3608.77	3645.37	3667.87	3696.76	3701.57	3717.82		
MILLAGE KILOMETRAZI						8.25												8.50												
NOTES SHENIME																														

**POROSITESI :**  
BASHKIA PEQIN SHOGERIA RAJONALE UJESJELLES  
KANALIZIME ELBASAN SH.A

**OBJEKTI:** Rikonstruktion i Ujesjellesit te Fshatrave Trash, Karthnek, Nj. Adm. Sheze, Bashkia Peqin

**FAZA:** PROJEKT ZBATIMI

**Drejtues i projektit**

Adm. Ana NISHKU

**Projektues**

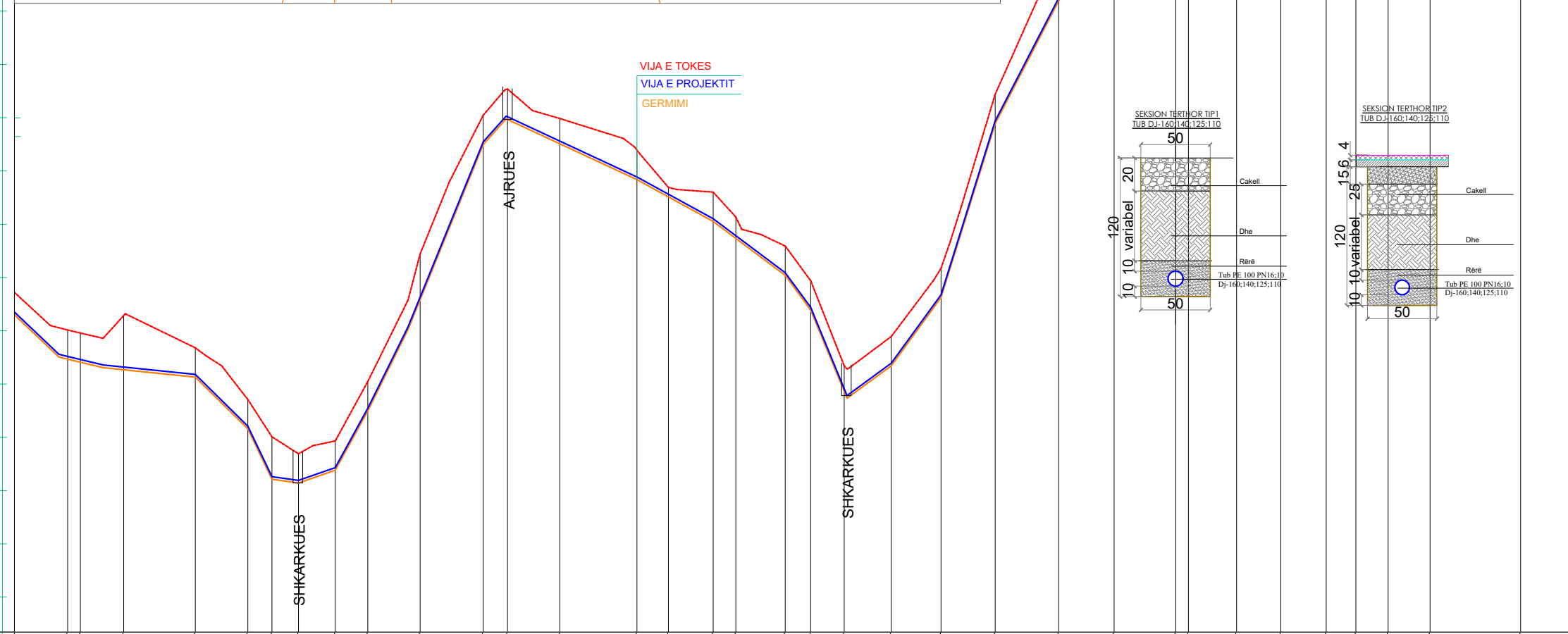
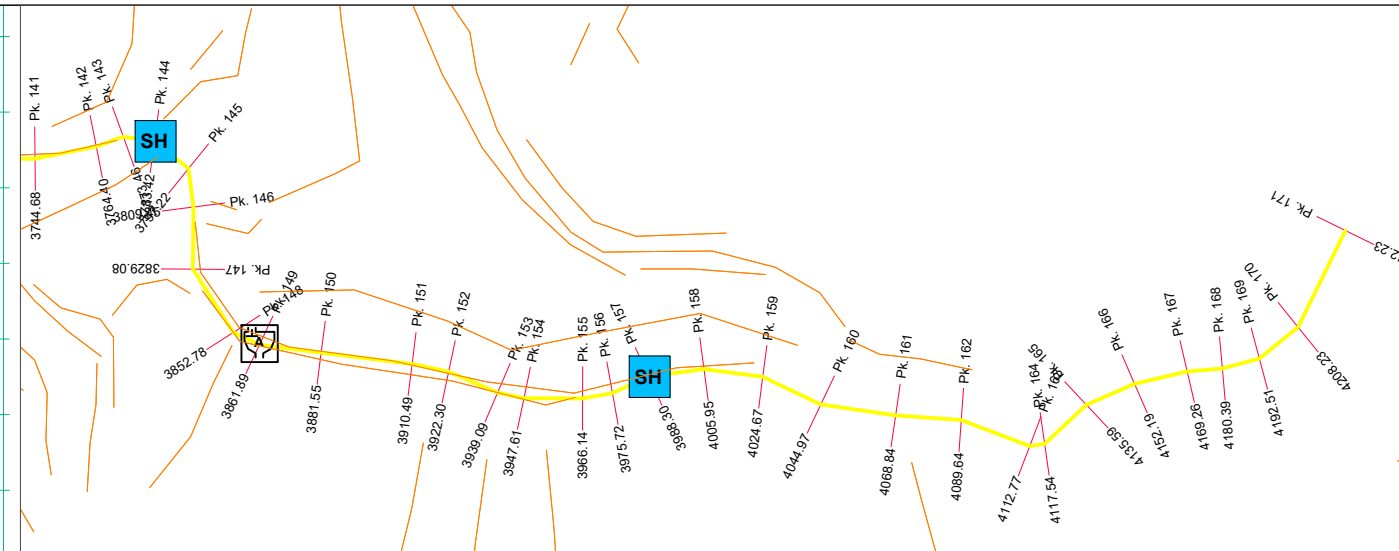
Nd. Liliana VLLAMASI		
Nd. Engjell CAKA		
Ark. Jorgjia Kallo		
Ark. Rigert Hyra		
Elek. Altin ALLKAJ		
Mek. Bujar MERAJ		
Top. Iv Beqari		
Gjeo. Besmir LUMANI		


Emertimi i fletes: Profili Gjatesor	
Nr. Fletes:	Gj- 07
Shk :	H:1-2000 V:1-200
Formati:	A3

Tiranë 2024



176.0  
174.0  
172.0  
170.0  
168.0  
166.0  
164.0  
162.0  
160.0  
158.0  
156.0  
154.0  
152.0  
150.0  
148.0  
146.0  
144.0  
142.0  
140.0



**POROSITESI :**  
 BASHKIA PEQIN SHOQERIA RAJONALE UJESJELLES  
 KANALIZIME ELBASAN SH.A

**OBJEKTI:** Rikonstruksion i Ujesjellesit te Fshatrave Trash, Kartheek, Nj. Adm. Sheze, Bashkia Peqin

**FAZA: PROJEKT ZBATIMI**

**Drejtues i projektit**

Adm. Ana NISHKU

**Projektues**

Nd. Liliana VLLAMASI		
Nd. Engjell CAKA		
Ark. Jorgjia Kallo		
Ark. Rigert Hyra		
Elek. Altin ALLKAJ		
Mek. Bujar MERAJ		
Top. Iv Beqari		
Gjeo. Besmir LUMANI		

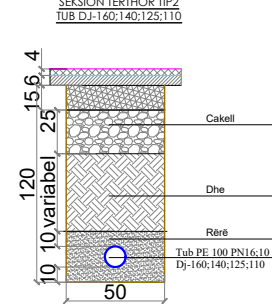
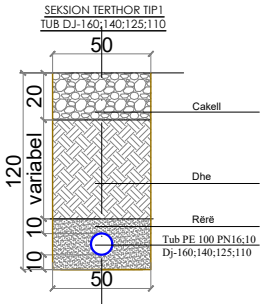
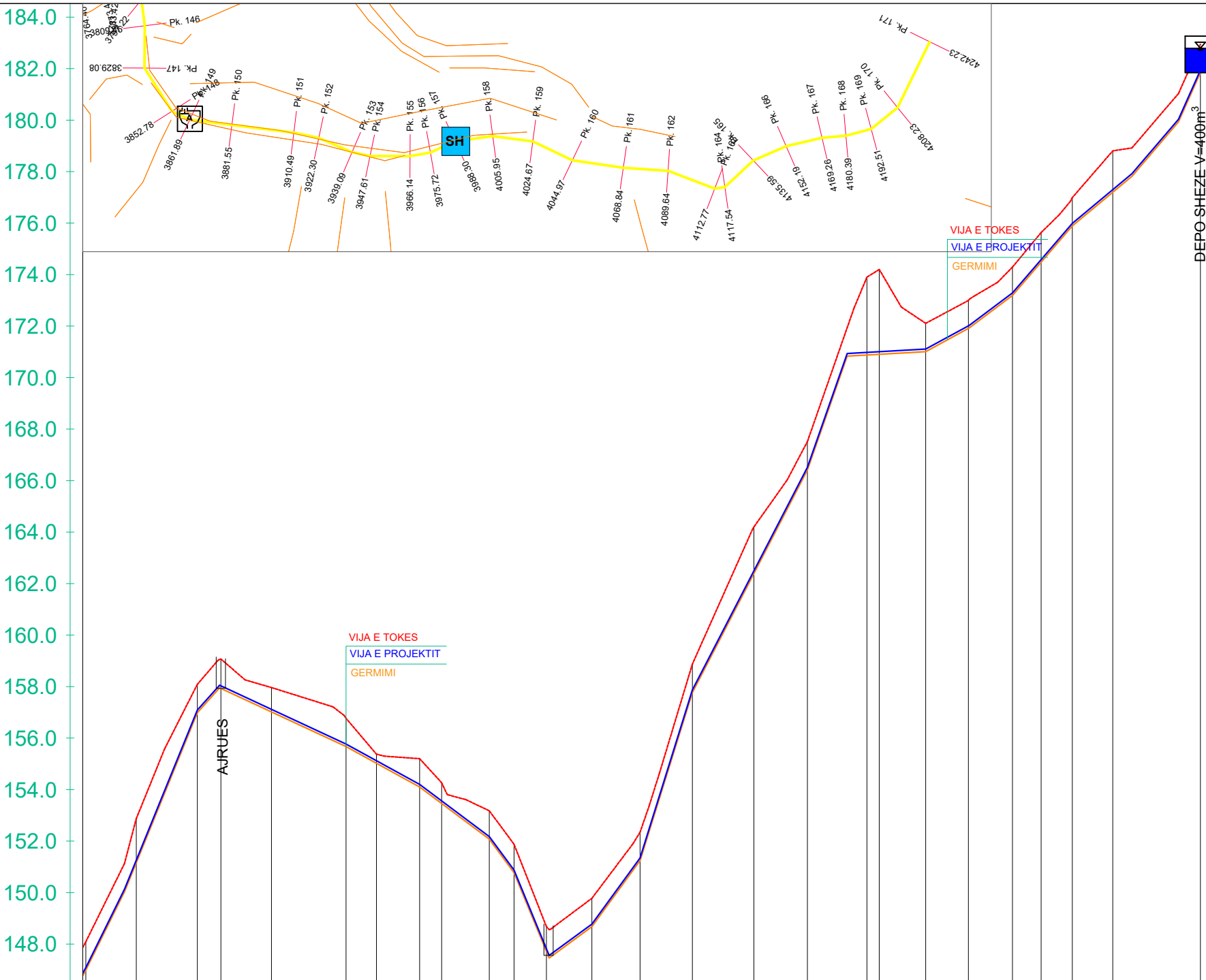

**Emertimi i fletes: Profili Gjatesor**

Nr. Fletes:	Gj- 08
Shk :	H:1-2000 V:1-200
Formati:	A3

**Tiranë 2024**

HYDRAULIC ELEMENTS ELEMENTET HIDRAULIKE	TUB PE 100 Pn 10 bar OD 110 mm : Q = 7.0 l/s : V= 0.95 m/s																				TUB PE 100 Pn 10 bar OD 110 mm : Q = 7.0 l/s : V= 0.95 m/s																	
EXCAVATION GERMIMI	-1.09	-1.09	-2.03	-1.10	-1.10	-1.60	-1.10	-1.10	-1.72	-1.10	-1.14	-0.95	-1.10	-0.36	-1.10	-0.80	-1.10	-1.10	-1.10	-1.10	-1.10	-1.80	-1.10	-1.10	-1.10	-1.10	-1.10	-1.10	-1.10	-1.10	-1.10							
PROJECT ELEVATION KUOTA E PROJEKTTIT	148.91	148.80	148.51	148.24	146.30	144.40	144.26	144.74	151.14	156.97	157.91	157.00	155.65	155.00	154.08	153.45	152.06	150.76	147.70	148.66	151.23	157.75	162.37	166.40	170.86	170.89	170.99	171.89	173.17	174.47	175.87	177.18	181.83					
GROUND ELEVATION KUOTA E TOKES	150.01	149.89	150.55	149.34	147.40	146.00	145.36	145.84	152.86	158.07	159.06	157.95	156.75	155.36	155.18	154.25	153.16	151.86	148.66	149.76	152.33	158.85	164.18	167.50	173.89	174.18	172.09	172.98	174.27	175.62	176.97	178.79	182.93					
NODE NUMBER NUMRI I PIKETES	138	139	140	141	142	143	144	145	146	147	148	149	150	151	152	153	154	155	156	157	158	159	160	161	162	163	164	165	166	167	168	169	170	171				
PARTIAL DISTANCE Distanca Pjesore	28.88	4.81	16.25	26.87	5.32	4.40	9.96	13.80	12.22	19.63	23.70	9.11	19.66	28.94	11.81	16.79	18.53	9.58	2.58	1.76	9.95	18.72	20.30	23.87	20.79	23.14	4.77	18.05	16.60	17.08	11.13	12.11	15.73	34.00				
PROGRESSIVE DISTANCE Distanca Progressive	3696.76	3701.57	3717.82	3744.68	3764.40	3773.46	3783.42	3797.22	3809.45	3829.08	3852.78	3861.89	3881.55	3910.49	3922.30	3939.09	3947.61	3966.14	3975.72	3988.30	4005.95	4024.67	4044.97	4068.84	4089.64	4112.77	4117.54	4135.59	4152.19	4169.26	4180.39	4192.51	4208.23	4242.23				
MILLAGE KILOMETRAZHI				3.75																4.00														4.24				
NOTES SHENIME																																						

Profili Gjatesor LK SHEZE  
SHv 1:200 SHh 1:2000



HYDRAULIC ELEMENTS ELEMENTET HIDRAULIKE	100 Pn 10 bar OD 110 mm : Q = 7.0 l/s : V= 0.95 m/s																TUB PE 100 Pn 10 bar OD 110 mm : Q = 7.0 l/s : V= 0.95 m/s															
EXCAVATION GERMIMI	-1.10	-1.72	-1.10	-1.14	-0.95	-1.10	-0.36	-1.10	-0.80	-1.10	-1.10	-1.10	-1.80	-1.10	-1.10	-3.03	-3.29	-1.10	-1.09	-1.10	-1.15	-1.10	-1.60	-1.10								
PROJECT ELEVATION KUOTA E PROJEKTTIT	146.97	151.14	156.97	157.91	157.00	155.65	155.00	154.08	153.45	152.06	150.76	147.70	148.66	151.23	157.75	162.37	166.40	170.86	170.89	170.99	171.89	173.17	174.47	175.87	177.18	181.83						
GROUND ELEVATION KUOTA E TOKES	148.07	152.86	158.07	159.06	157.95	156.75	155.36	155.18	154.25	153.16	151.86	148.66	149.76	152.33	158.85	164.18	167.50	173.89	174.18	172.09	172.98	174.27	175.62	176.97	178.79	182.93						
NODE NUMBER NUMRI I PIKETES	46	147	148	149	150	151	152	153	154	155	156	157	158	159	160	161	162	163	164	165	166	167	168	169	170	171						
PARTIAL DISTANCE DISTANCA PJESORE	19.63	23.70	9.11	19.66	28.94	11.81	116.79	8.53	18.53	9.58	2.58	1.76	9.95	18.72	20.30	23.87	20.79	23.14	4.77	18.05	16.60	17.08	11.13	2.11	15.73	34.00						
PROGRESSIVE DISTANCE DISTANCA PROGRESIVE	3809.70	3829.08	3852.78	3861.89	3881.55	3910.49	3922.30	3939.09	3947.61	3966.14	3975.72	3988.30	4005.95	4024.67	4044.97	4068.84	4089.64	4112.77	4117.54	4135.59	4152.19	4169.26	4180.39	4192.51	4208.23	4242.23						
MILLAGE KILOMETRAZHI												4.00														4.24						
NOTES SHENIME																																

**POROSITESI :**  
BASHKIA PEQIN SHOQERIA RAJONALE UJESJELLES KANALIZIME ELBASAN SH.A

OBJEKTI: Rikonstruksion i Ujesjellesit te Fshatrave Trash, Karthnek, Nj. Adm. Sheze, Bashkia Peqin

FAZA: PROJEKT ZBATIMI

"ARABEL - STUDIO" Sh.p.k  
"HMK-Consulting" Sh.p.k  
"TRANSPORT HIGHWAY CONSULTING" Sh.p.k

Drejtues i projektit

Adm. Ana NISHKU

**Projektues**

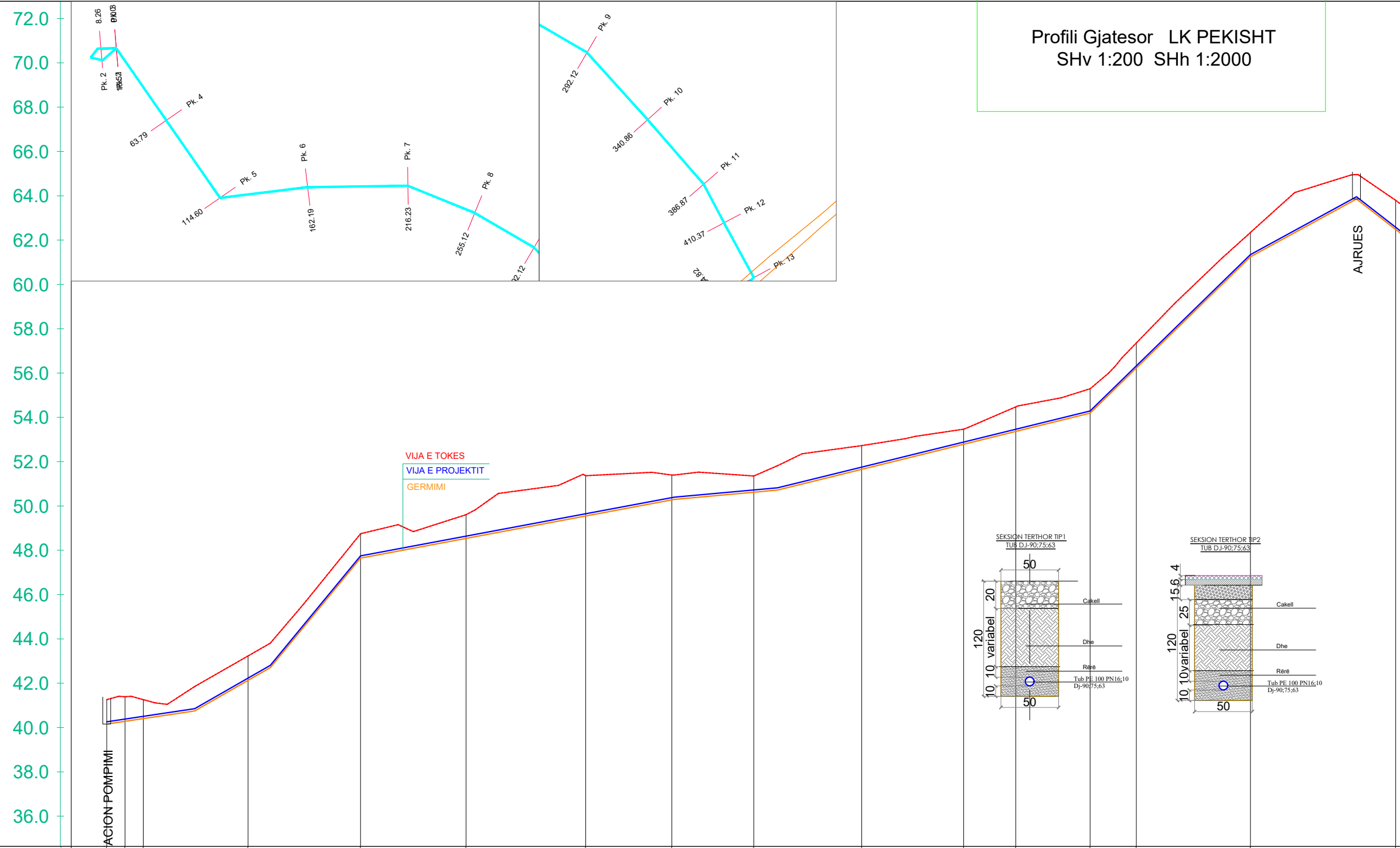
Nd. Liliana VLLAMASI	
Nd. Engjell CAKA	
Ark. Jorgjia Kallo	
Ark. Rigert Hyra	
Elek. Altin ALLKAJ	
Mek. Bujar MERAJ	
Top. Iv Beqari	
Gjeo. Besmir LUMANI	

Emertimi i fletes: Profili Gjatesor

Nr. Fletes:	Gj- 09
Shk :	H:1-2000 V:1-200
Formati:	A3

Tiranë 2024

Profili Gjatesor LK PEKISHT  
SHv 1:200 SHh 1:2000



**POROSITESI :**  
BASHKIA PEQIN SHOGERIA RAJONALE UJESJELLES  
KANALIZIME ELBASAN SH.A

**OBJEKTI:** Rikonstruksion i Ujesjellesit te Fshatrave Trash, Karthnek, Nj.Adm.Sheze, Bashkia Peqin

**FAZA:** PROJEKT ZBATIMI

**Drejtues i projektit**

Adm. Ana NISHKU

**Projektues**

Nd. Liliana VLLAMASI		
Nd.Engjell CAKA		
Ark.Jorgjia Kallo		
Ark.Rigert Hyra		
Elek.Altin ALLKAJ		
Mek.Bujar MERAJ		
Top.Iv Beqari		
Gjeo.Besmir LUMANI		

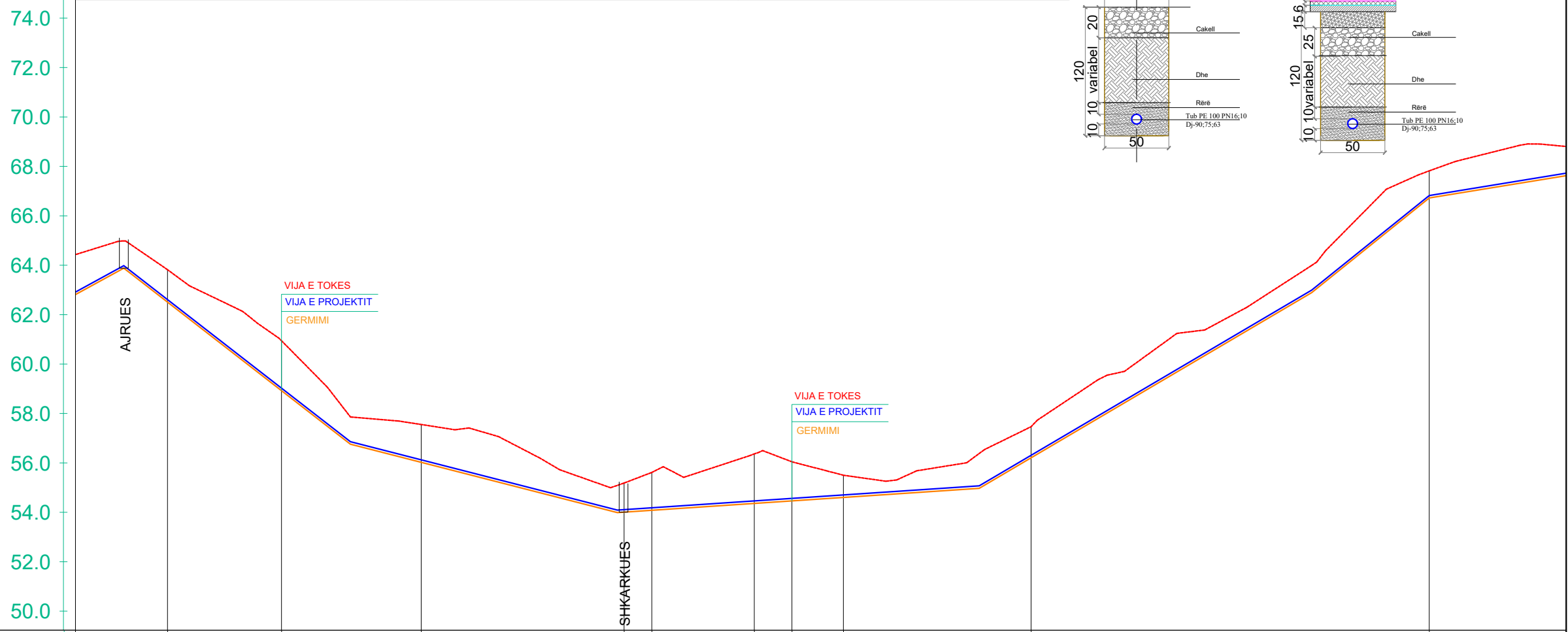
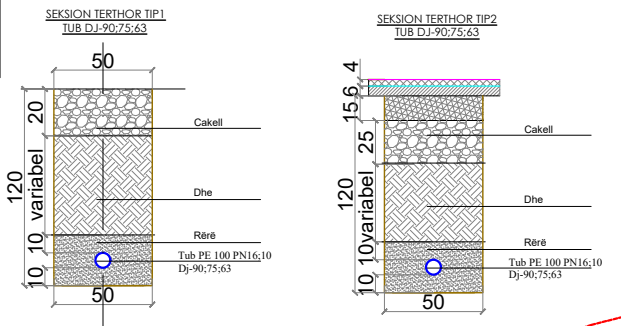
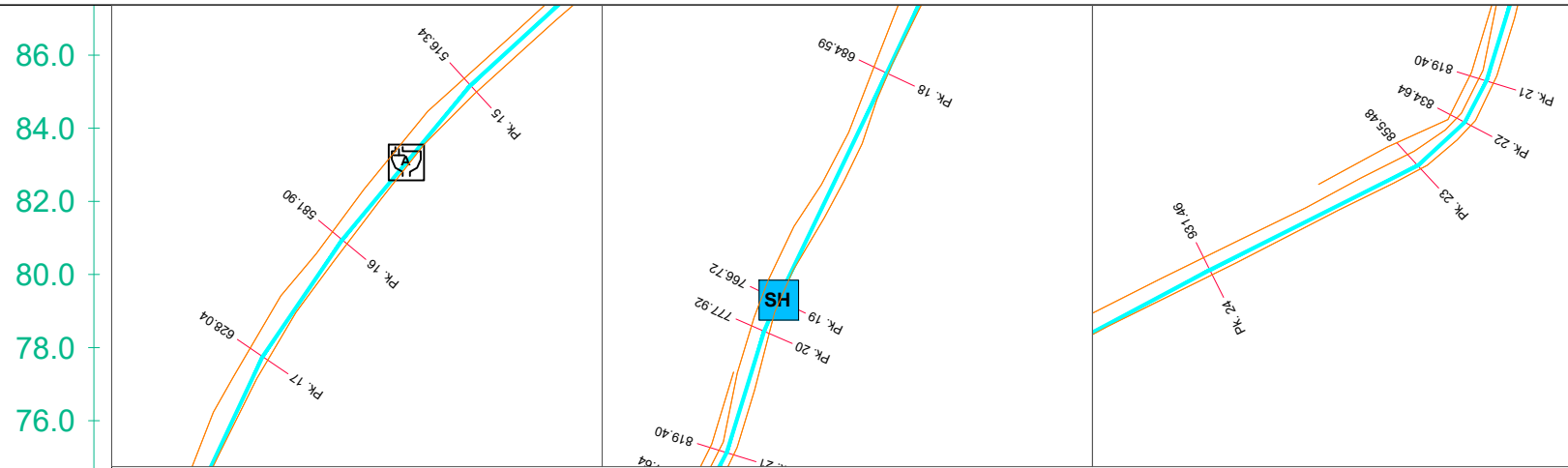
HYDRAULIC ELEMENTS ELEMENTET HIDRAULIKE	TUB PE 100 Pn 20 bar OD 90 mm : Q = 3.3 l/s : V= 0.86 m/s	
EXCAVATION GERMIMI	-0.86	-1.31
PROJECT ELEVATION KUOTA E PROJEKTIT	40.89	62.53
GROUND ELEVATION KUOTA E TOKES	41.30	63.84
NODE NUMBER NUMRI I PIKETES	1 2 3	15
PARTIAL DISTANCE DISTANCA PJESORE	8.26	65.56
PROGRESSIVE DISTANCE DISTANCA PROGRESIVE	8.26	581.90
MILLAGE KILOMETRAZHI	0.00	0.50

Emertimi i fletes: Profili Gjatesor

Nr. Fletes:	Gj- 10
Shk :	H:1-2000 V:1-200
Formati:	A3

Tiranë 2024

Profili Gjatesor LK PEKISHT  
SHv 1:200 SHh 1:2000



HYDRAULIC ELEMENTS ELEMENTET HIDRAULIKE	TUB PE 100 Pn 20 bar OD 90 mm : Q = 3.3 l/s : V= 0.86 m/s										TUB PE 100 Pn 20 bar OD 90 mm : Q = 3.3 l/s : V= 0.86 m/s				
EXCAVATION GERMIMI	-1.31	-2.02	-1.53	-1.18	-1.53	-2.00	-1.58	-0.90	-1.26	-1.10					
PROJECT ELEVATION KUOTA E PROJEKTIT	62.53	58.94	56.04	54.03	54.10	54.38	54.48	54.62	56.23	66.74					
GROUND ELEVATION KUOTA E TOKES	63.84	60.96	57.57	55.20	55.63	56.38	56.07	55.52	57.48	67.84					
NODE NUMBER NUMRI I PIKETES	16	17	18	19	20	21	22	23	24	25					
PARTIAL DISTANCE DISTANCA PJESORE	5.56	46.14	56.54	65.41	16.72	11.19	41.48	15.23	20.85	75.98	68.54	92.61	72.42		
PROGRESSIVE DISTANCE DISTANCA PROGRESIVE	581.90	628.04	684.59	766.72	777.92	819.40	834.64	855.48	931.46	1092.61					
MILLAGE KILOMETRAZHI				0.75					1.00						
NOTES SHENIME															

**POROSITESI :**  
BASHKIA PEQIN SHOGERIA RAJONALE UJESJELLES  
KANALIZIME ELBASAN SH.A

**OBJEKTI:** Rikonstruksion i Ujesjellesit te Fshatrave Trash, Karthnek, Nj. Adm. Sheze, Bashkia Peqin

**FAZA:** PROJEKT ZBATIMI

**Drejtues i projektit**  
Adm. Ana NISHKU

**Projektues**

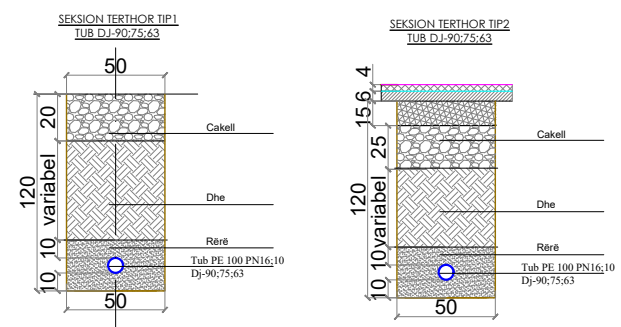
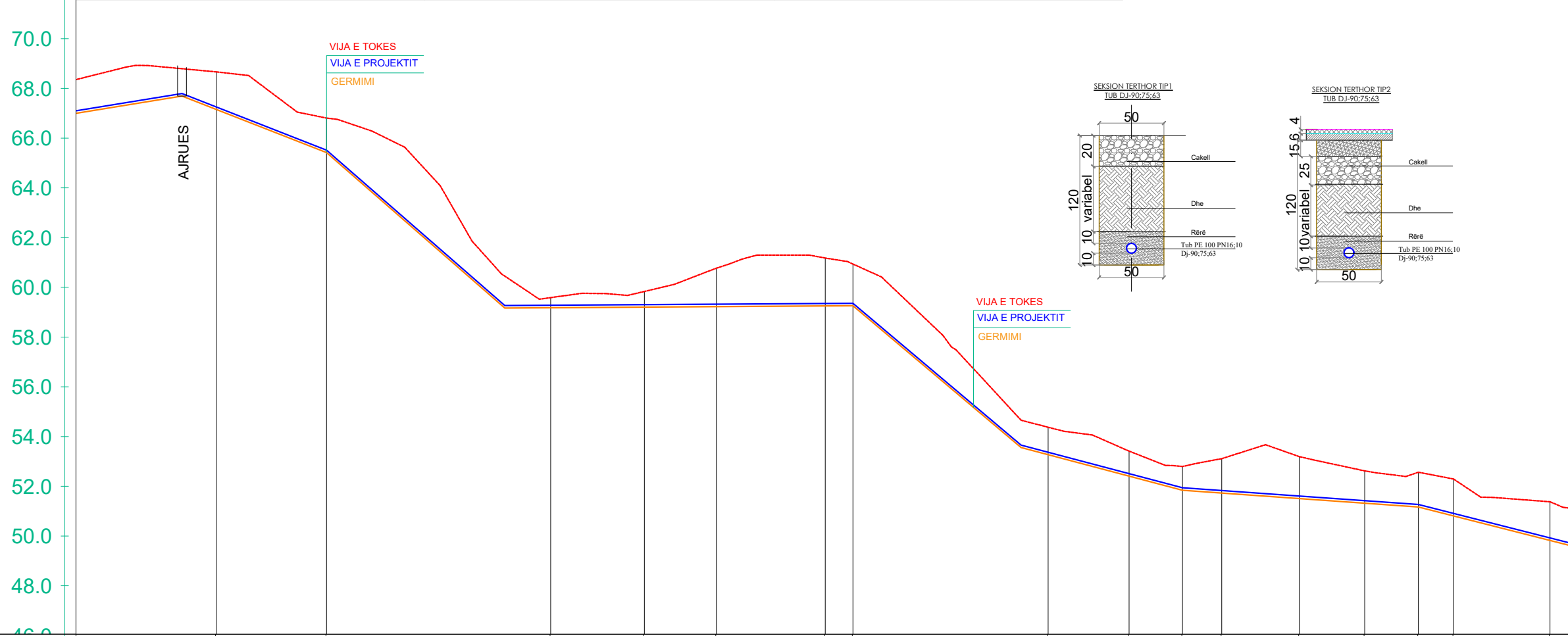
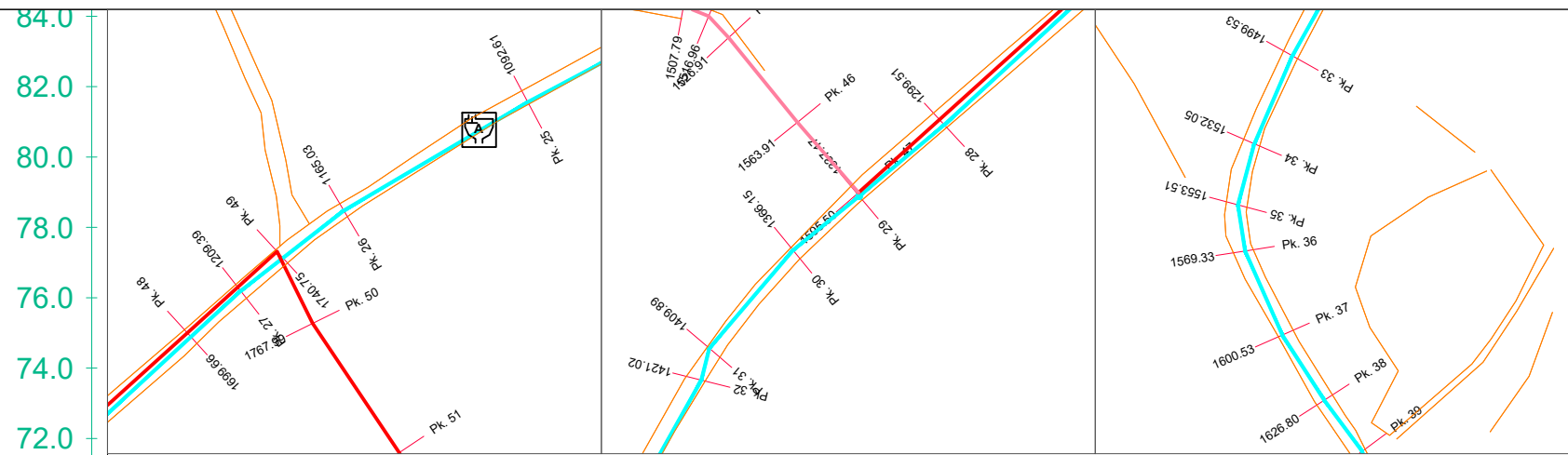
Nd. Liliana VLLAMASI	
Nd. Engjell CAKA	
Ark. Jorgjia Kallo	
Ark. Rigert Hyra	
Elek. Altin ALLKAJ	
Mek. Bujar MERAJ	
Top. Iv Beqari	
Gjeo. Besmir LUMANI	

**Emertimi i fletes: Profili Gjatesor**

Nr. Fletes:	Gj- 11
Shk :	H:1-2000 V:1-200
Formati:	A3

Tiranë 2024

Profili Gjatesor LK PEKISHT  
SHv 1:200 SHh 1:2000



HYDRAULIC ELEMENTS ELEMENTET HIDRAULIKE	TUB PE 100 Pn 20 bar OD 90 mm : Q = 3.3 l/s : V= 0.86 m/s																				
EXCAVATION GERMIMI	-1.51	-1.39	-0.41	-0.63	-1.55	-1.93	-1.68	-1.10	-1.00	-0.95	-1.38	-1.68	-1.30	-1.40	-1.48	-1.55					
PROJECT ELEVATION KUOTA E PROJEKTIT	67.16	65.42	59.18	59.21	59.23	59.25	59.26	53.27	52.41	51.84	51.73	51.51	51.32	51.17	50.81	49.83					
GROUND ELEVATION KUOTA E TOKES	68.67	66.81	59.59	59.84	60.77	61.18	60.94	54.37	53.42	52.80	53.11	53.19	52.62	52.57	52.29	51.38					
NODE NUMBER NUMRI I PIKETES	26	27	28	29	30	31	32	33	34	35	36	37	38	39	40	41					
PARTIAL DISTANCE DISTANCA PJESORE	72.42	44.36	40.61	49.51	37.66	28.97	43.74	11.13	78.51	0.47	32.05	21.46	15.81	31.20	26.28	21.60	14.12	38.76			
PROGRESSIVE DISTANCE DISTANCA PROGRESIVE	1165.03	1209.39	1299.51	1337.17	1366.15	1409.89	1421.02	1499.53	1532.05	1553.51	1569.33	1600.53	1626.80	1648.40	1662.52	1701.28					
MILLAGE KILOMETRAZHI	● 0.25																● 0.50				
NOTES SHENIME																					

**POROSITESI :**  
BASHKIA PEQIN SHOGERIA RAJONALE UJESJELLES  
KANALIZIME ELBASAN SH.A

**OBJEKTI:** Rikonstruksimi i Ujësjetës të Fshatrave Trash, Karthnek, Nj. Adm. Sheze, Bashkia Peqin

**FAZA:** PROJEKT ZBATIMI

- "ARABEL - STUDIO" Sh.p.k
- "HMK-Consulting" Sh.p.k
- "TRANSPORT HIGHWAY CONSULTING" Sh.p.k

**Drejtues i projektit**

Adm. Ana NISHKU

**Projektues**

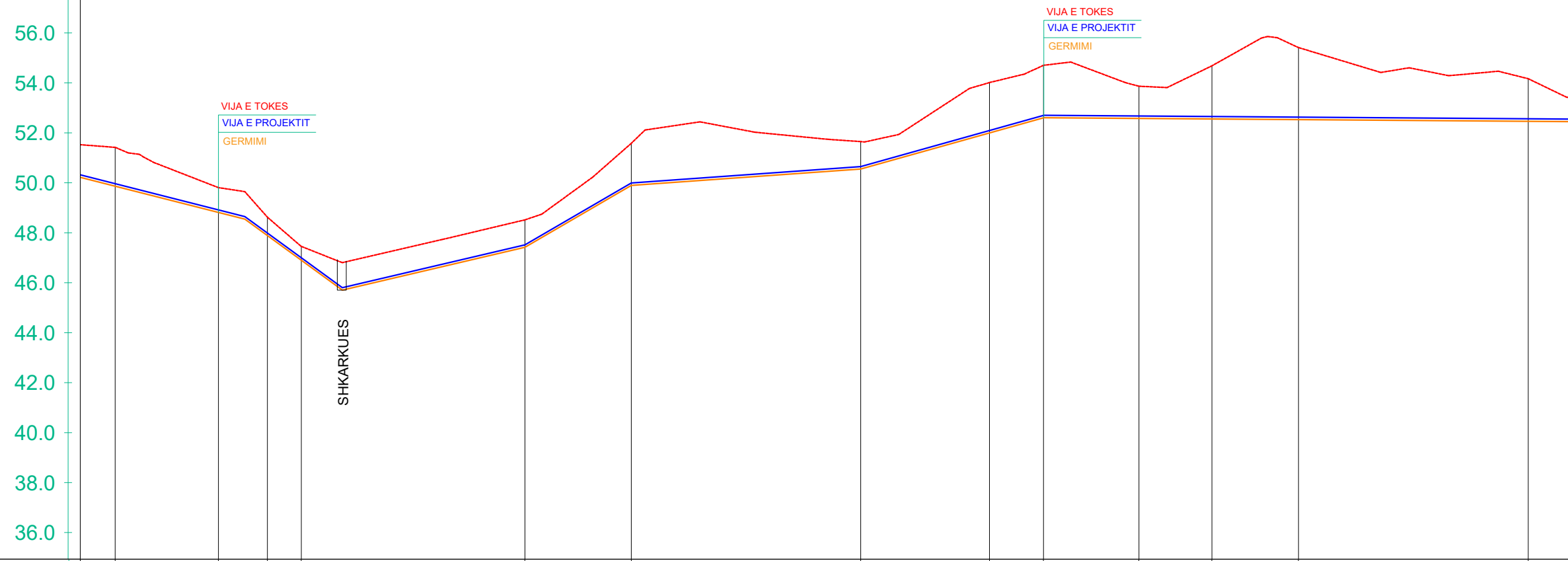
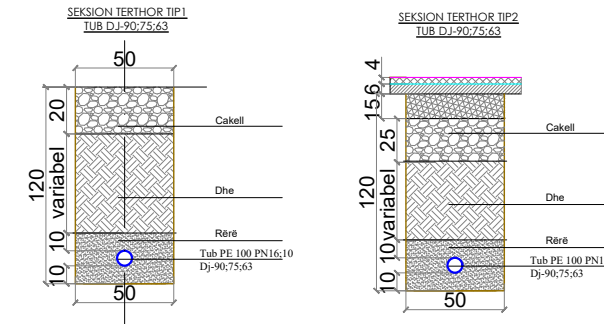
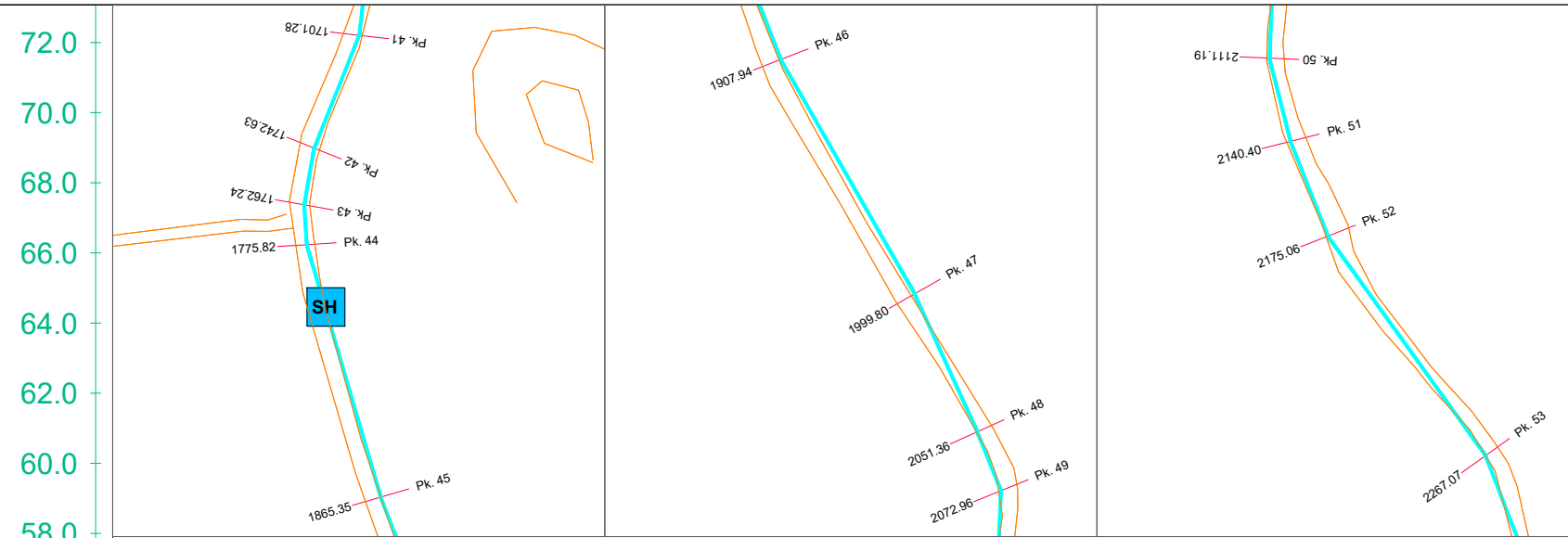
- Nd. Liliana VLLAMASI
- Nd. Engjell CAKA
- Ark. Jorgjia Kallo
- Ark. Rigert Hyra
- Elek. Altin ALLKAJ
- Mek. Bujar MERAJ
- Top. Iv Beqari
- Gjeo. Besmir LUMANI


**Emertimi i fletes: Profili Gjatesor**

Nr. Fletes: **Gj- 12**  
Shk : H:1-2000  
V:1-200  
Formati: **A3**

**Tiranë 2024**

Profili Gjatesor LK PEKISHT  
SHv 1:200 SHh 1:2000



HYDRAULIC ELEMENTS ELEMENTET HIDRAULIKE	TUB PE 100 Pn 20 bar OD 90 mm : Q = 3.3 l/s : V= 0.86 m/s													TUB PE 100 Pn 20 bar OD 90 mm : Q = 3.3 l/s : V=			
EXCAVATION GERMIMI	-1.55	-0.99	-0.74	-0.55	-1.10	-1.69	-1.10	-2.02	-2.10	-1.29	-2.13	-2.89	-1.71				
PROJECT ELEVATION KUOTA E PROJEKTTIT	49.83	48.78	47.85	46.86	47.38	49.86	50.51	51.95	52.56	52.54	52.51	52.49	52.42				
GROUND ELEVATION KUOTA E TOKES	51.38	49.77	48.58	47.41	48.48	51.54	51.61	53.97	54.66	53.83	54.64	55.37	54.13				
NODE NUMBER NUMRI I PIKETES	41	42	43	44	45	46	47	48	49	50	51	52	53				
PARTIAL DISTANCE Distanca Pjesore	0	41.35	7.37	2.24	13.58	89.53	42.59	91.86	0.20	51.36	21.61	38.23	29.20	34.67	74.94	17.07	37.7
PROGRESSIVE DISTANCE Distanca Progresive	1701.28	1742.63	1762.24	1775.82	1865.35	1907.94	1999.80	2051.36	2072.96	2111.19	2140.40	2175.06	2267.07				
MILLAGE KILOMETRAZHI		0.75					2.00						2.25				
NOTES SHENIME																	

**POROSITESI :**  
BASHKIA PEQIN SHOGERIA RAJONALE UJESJELLES  
KANALIZIME ELBASAN SH.A



**OBJEKTI:** Rikonstruksion i Ujesjellesit te Fshatrave Trash, Karthnek, Nj. Adm. Sheze, Bashkia Peqin

**FAZA:** PROJEKT ZBATIMI

"ARABEL - STUDIO" Sh.p.k

"HMK-Consulting " Sh.p.k

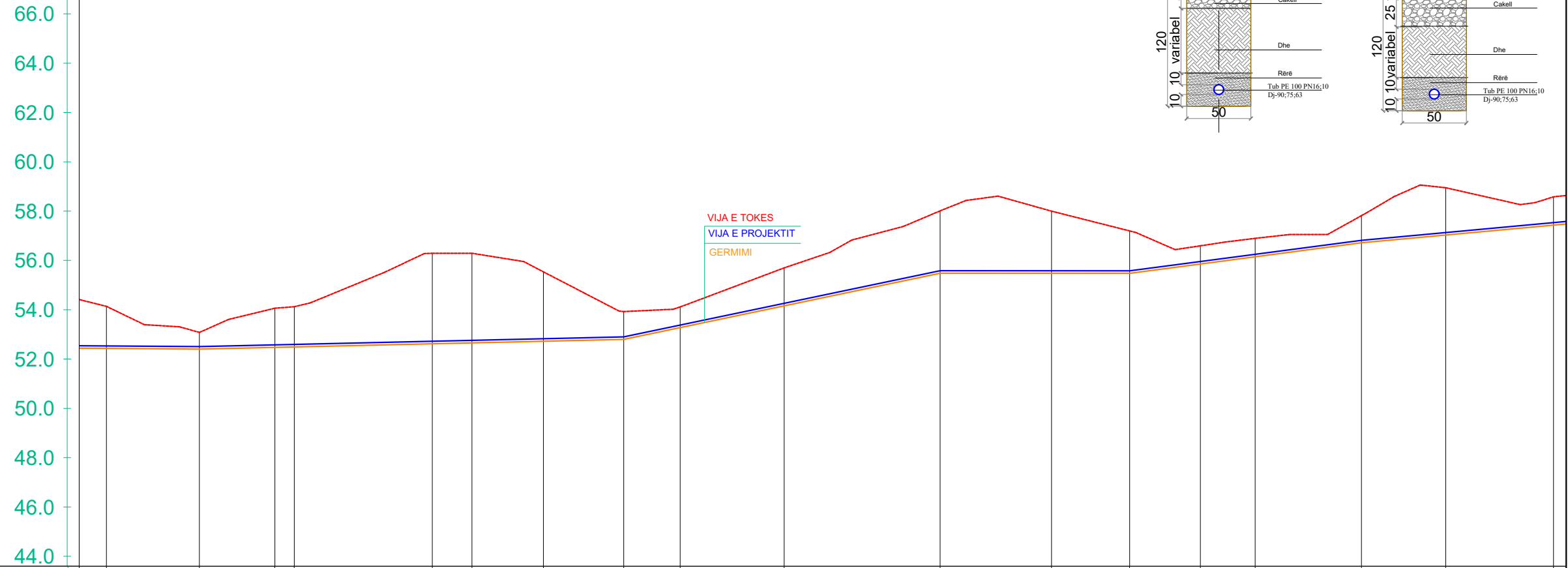
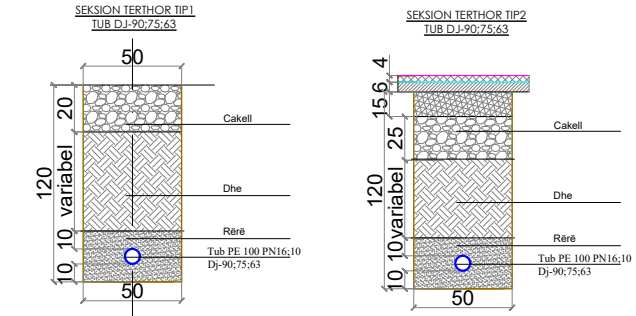
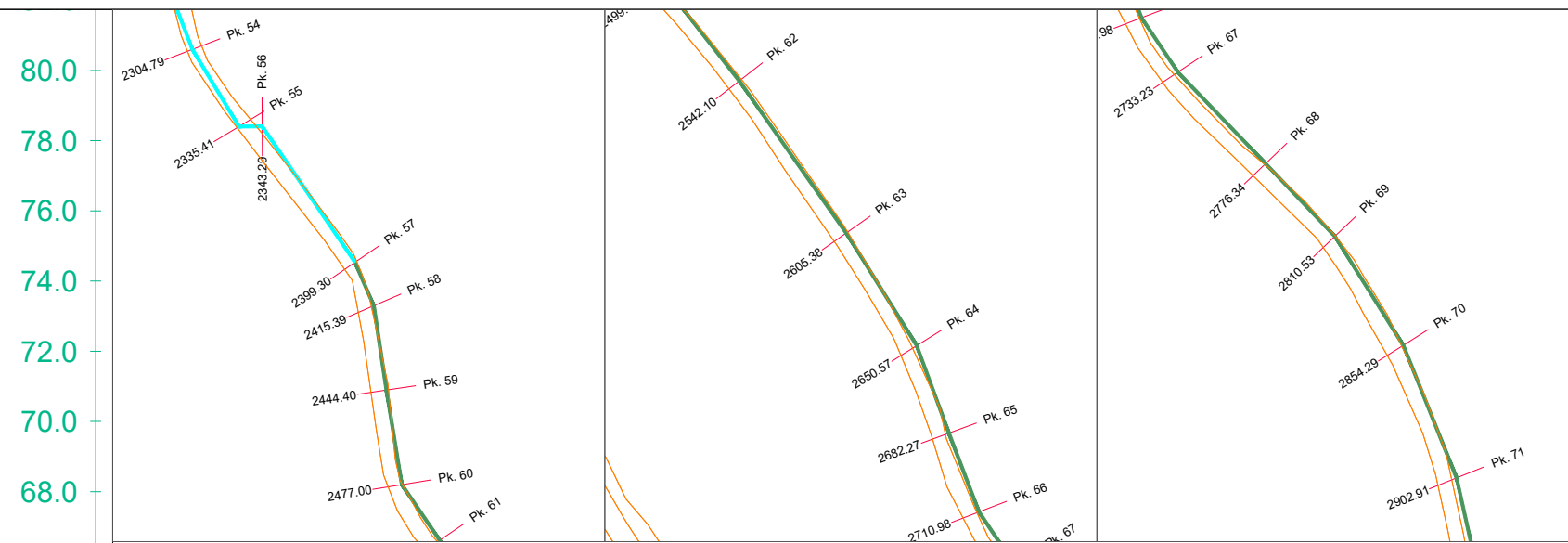
"TRANSPORT HIGHWAY CONSULTING " Sh.p.k

**Drejtues i projektit**  
Adm. Ana NISHKU

Projektues		
Nd. Liliana VLLAMASI		
Nd. Engjell CAKA		
Ark. Jorgjia Kallo		
Ark. Rigert Hyra		
Elek. Altin ALLKAJ		
Mek. Bujar MERAJ		
Top. Iv Beqari		
Gjeo. Besmir LUMANI		

**Emertimi i fletes: Profili Gjatesor**  
Nr. Fletes: **Gj- 13**  
Shk : H:1-2000  
V:1-200  
Formati: **A3**  
**Tiranë 2024**

Profili Gjatesor LK PEKISHT  
SHv 1:200 SHh 1:2000



HYDRAULIC ELEMENTS ELEMENTET HIDRAULIKE	= 3.3 l/s : V= 0.86 m/s		TUB PE 100 Pn16 bar OD 90 mm : Q = 3.3 l/s : V= 0.78 m/s														TUB PE 100 Pn16 bar OD 90				
EXCAVATION GERMIMI	-1.71	-0.68	-1.59	-1.63	-3.67	-3.63	-2.81	-1.13	-0.83	-1.54	-2.53	-2.52	-1.72	-0.74	-0.75	-1.10	-1.92	-1.15			
PROJECT ELEVATION KUOTA E PROJEKTTIT	52.42	52.39	52.46	52.48	52.61	52.65	52.71	52.79	53.27	54.15	55.47	55.47	55.47	55.84	56.14	56.71	57.02	57.42			
GROUND ELEVATION KUOTA E TOKES	54.13	53.07	54.05	54.11	56.28	56.28	55.53	53.92	54.10	55.69	58.00	57.99	57.19	56.58	56.89	57.81	58.94	58.57			
NODE NUMBER NUMRI I PIKETES	53	54	55	56	57	58	59	60	61	62	63	64	65	66	67	68	69	70			
PARTIAL DISTANCE DISTANCA PJESORE	7.07	37.72	30.62	7.88	56.01	16.09	29.01	32.60	22.89	42.10	63.27	45.20	31.69	28.71	22.25	16.77	26.34	34.19	43.77		
PROGRESSIVE DISTANCE DISTANCA PROGRESIVE	2267.07	2304.79	2335.41	2343.29	2399.30	2415.39	2444.40	2477.00	2499.89	2542.10	2605.38	2650.57	2682.27	2710.98	2733.23	2776.34	2810.53	2854.29			
MILLAGE KILOMETRAZHI	25										2.50	2.75									
NOTES SHENIME																					

**POROSITESI :**  
BASHKIA PEQIN SHOGERIA RAJONALE UJESJELLES  
KANALIZIME ELBASAN SH.A

**OBJEKTI:** Rikonstruksion i Ujesjellesit te Fshatrave Trash, Karthnek, Nj. Adm. Sheze, Bashkia Peqin

**FAZA:** PROJEKT ZBATIMI

**Drejtues i projektit**  
Adm. Ana NISHKU

**Projektues**

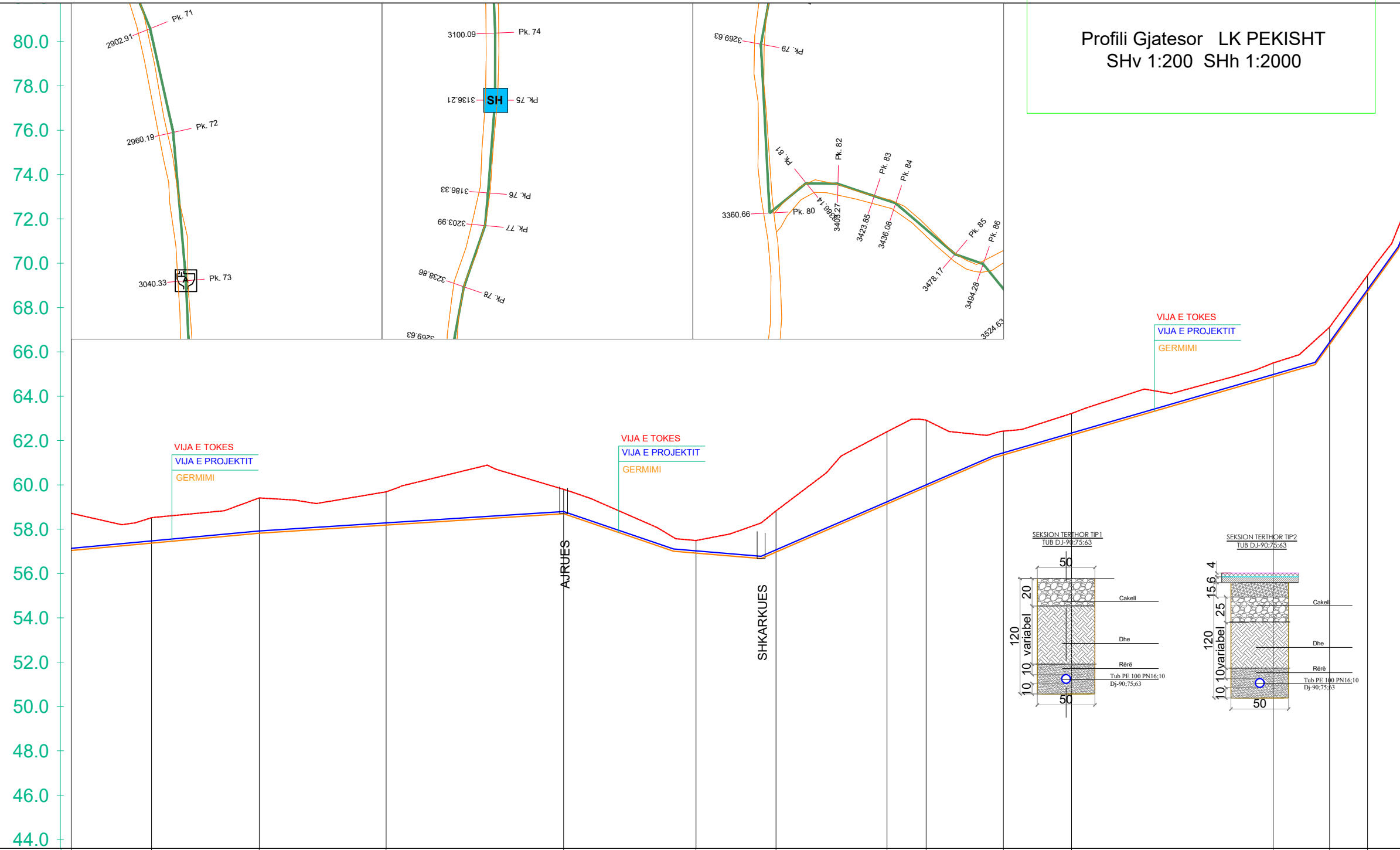
Nd. Liliana VLLAMASI		
Nd. Engjell CAKA		
Ark. Jorgjia Kallo		
Ark. Rigert Hyra		
Elek. Altin ALLKAJ		
Mek. Bujar MERAJ		
Top. Iv Beqari		
Gjeo. Besmir LUMANI		

**Emertimi i fletes: Profili Gjatesor**

Nr. Fletes:	Gj- 14
Shk :	H:1-2000 V:1-200
Formati:	A3

Tiranë 2024

Profili Gjatesor LK PEKISHT  
SHv 1:200 SHh 1:2000



**POROSITESI :**  
BASHKIA PEQIN SHOGERIA RAJONALE UJESJELLES  
KANALIZIME ELBASAN SH.A

**OBJEKTI:** Rikonstrukcion i Ujesjellesit te Fshatrave Trash, Karthnek, Nj. Adm. Sheze, Bashkia Peqin

**FAZA:** PROJEKT ZBATIMI

"ARABEL - STUDIO" Sh.p.k

"HMK-Consulting" Sh.p.k

"TRANSPORT HIGHWAY CONSULTING" Sh.p.k

**Drejtues i projektit**

Adm. Ana NISHKU

**Projektues**

Nd. Liliana VLLAMASI	
Nd. Engjell CAKA	
Ark. Jorgjia Kallo	
Ark. Rigert Hyra	
Elek. Altin ALLKAJ	
Mek. Bujar MERAJ	
Top. Iv Beqari	
Gjeo. Besmir LUMANI	


Emertimi i fletes: Profili Gjatesor

Nr. Fletes: **Gj- 15**

Shk : H:1-2000  
V:1-200

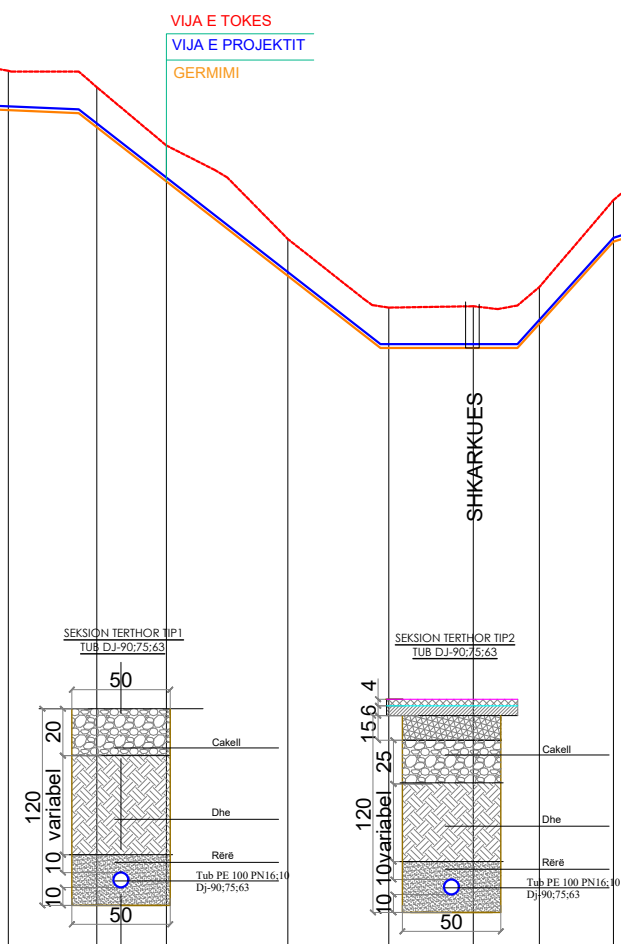
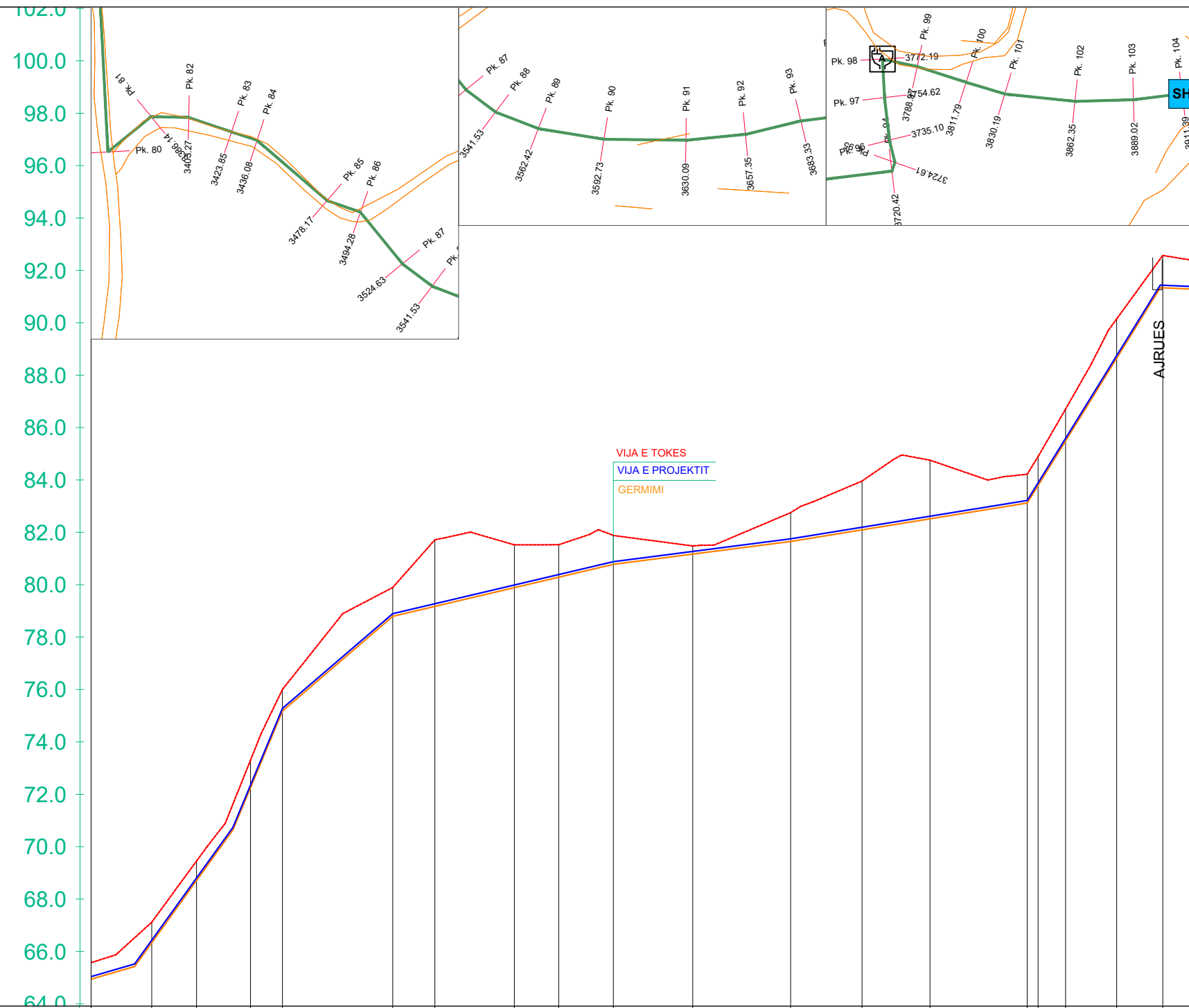
Formati: **A3**

**Tiranë 2024**

HYDRAULIC ELEMENTS ELEMENTET HIDRAULIKE	Pn16 bar OD 90 mm : Q = 3.3 l/s : V= 0.78 m/s		TUB PE 100 Pn16 bar OD 90 mm : Q = 3.3 l/s : V= 0.78 m/s										TUB PE 100 Pn16 bar				
EXCAVATION GERMIMI	-1.15	-1.59	-1.50	-1.10	-0.57	-1.86	-3.26	-3.02	-1.08	-0.98	-0.62	-0.79	-0.74				
PROJECT ELEVATION KUOTA E PROJEKTIT	57.42	57.87	58.24	58.75	56.97	57.02	59.19	59.95	61.40	62.29	64.93	66.38	68.76				
GROUND ELEVATION KUOTA E TOKES	58.57	59.46	59.74	59.85	57.54	58.88	62.45	62.97	62.47	63.27	65.55	67.17	69.51				
NODE NUMBER NUMRI I PIKETES	70	71	72	73	74	75	76	77	78	79	80	81	82				
PARTIAL DISTANCE Distanca Pjesore	43.77	48.62	57.28	39.81	40.33	59.77	36.12	50.12	17.66	34.87	11.14	19.63	91.03	25.48	17.13	20.58	
PROGRESSIVE DISTANCE Distanca Progresive	2854.29	2902.91	2960.19	3040.33	3100.09	3136.21	3186.33	3203.99	3238.86	3269.63	3360.66	3386.14	3403.27				
MILLAGE KILOMETRAZHI				3.00											3.25		
NOTES SHENIME																	



Profili Gjatesor LK PEKISHT  
SHv 1:200 SHh 1:2000



**POROSITESI :**  
BASHKIA PEQIN SHOQERIA RAJONALE UJESJELLES KANALIZIME ELBASAN SH.A

**OBJEKTI:** Rikonstruktion i Ujesjellesit te Fshatrave Trash, Karthnek, Nj. Adm. Sheze, Bashkia Peqin

**FAZA:** PROJEKT ZBATIMI

**Drejtues i projektit**  
Adm. Ana NISHKU

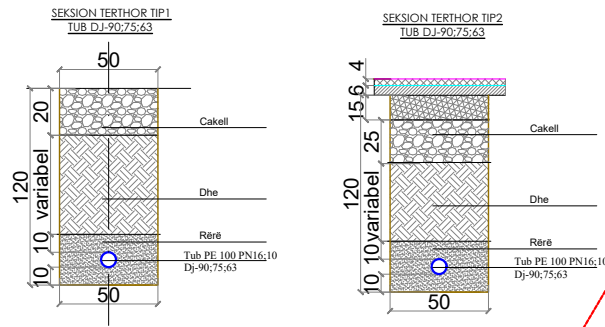
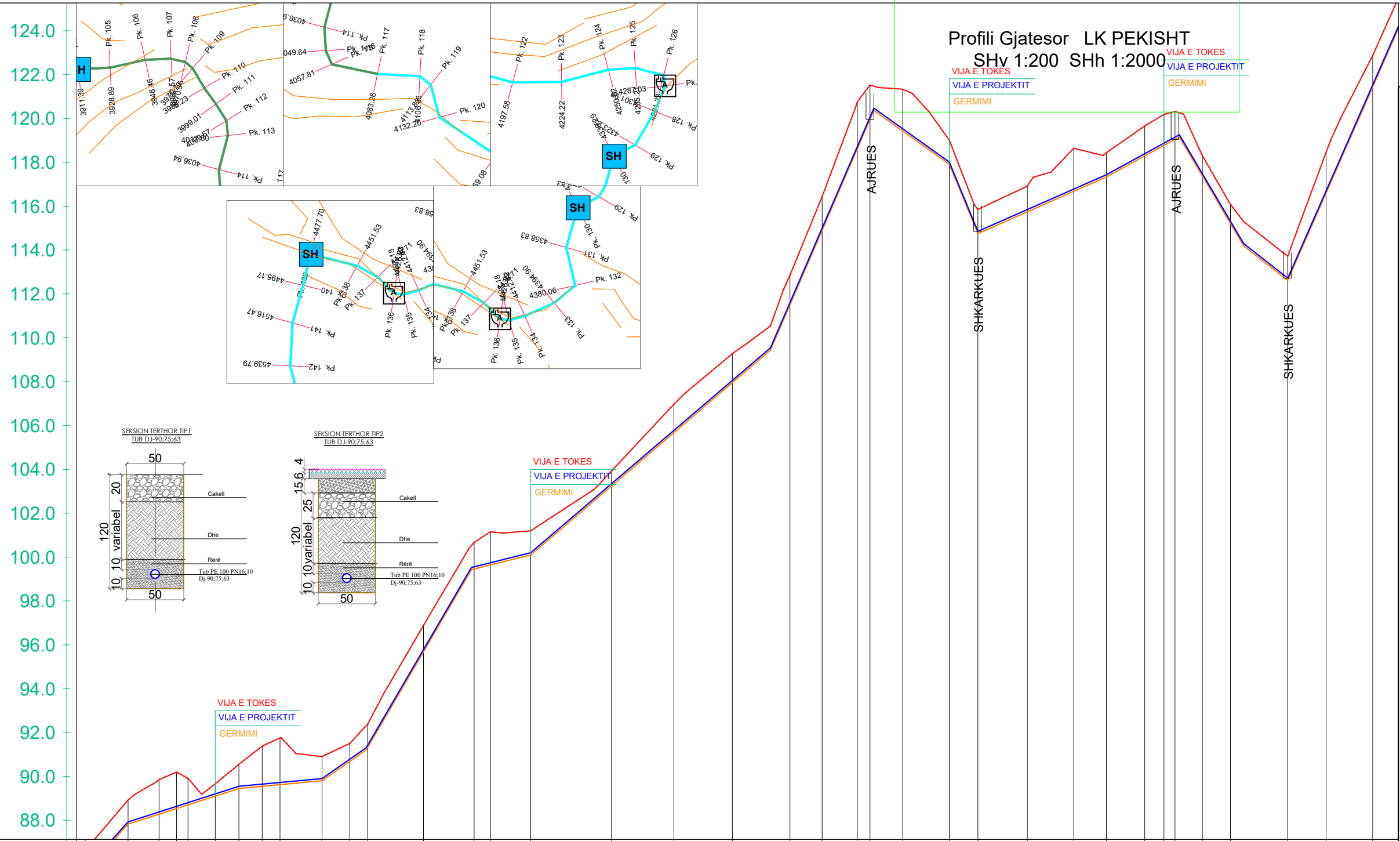
Projektues		
Nd. Liliana VLLAMASI		
Nd. Engjell CAKA		
Ark. Jorgjia Kallo		
Ark. Rigert Hyra		
Elek. Altin ALLKAJ		
Mek. Bujar MERAJ		
Top. Iv Beqari		
Gjeo. Besmir LUMANI		

HYDRAULIC ELEMENTS ELEMENTET HIDRAULIKE	TUB PE 100 Pn16 bar OD 90 mm : Q = 3.3 l/s : V = 0.78 m/s										TUB PE 100 Pn16 bar OD 90 mm : Q = 3.3 l/s : V = 0.78 m/s										TUB PE 100 Pn16 bar OD 90 mm							
EXCAVATION GERMIMI	-0.79	-0.74	-1.05	-0.82	-1.10	-2.54	-1.63	-1.24	-1.10	-0.31	-1.10	-1.86	-2.24	-1.10	-1.10	-1.21	-1.50	-1.24	-1.04	-1.06	-0.95	-0.97	-1.07	-1.10	-0.97	-1.10	-1.57	
PROJECT ELEVATION KUOTA E PROJEKTTIT	66.38	68.76	72.30	75.23	78.85	79.23	79.94	80.34	80.83	81.22	81.70	82.15	82.57	83.17	83.86	85.54	88.70	91.39	91.32	90.87	89.43	86.93	85.03	85.03	85.67	87.84	88.29	
GROUND ELEVATION KUOTA E TOKES	67.17	69.51	73.35	76.06	79.95	81.77	81.57	81.58	81.93	81.53	82.80	84.01	84.81	84.27	84.86	86.76	90.20	92.62	92.36	91.92	90.38	87.91	86.09	86.13	86.64	88.94	89.86	
NODE NUMBER NUMRI I PIKETES	81	82	83	84	85	86	87	88	89	90	91	92	93	94	95	96	97	98	99	100	101	102	103	104	105	106	107	
PARTIAL DISTANCE Distanca Pjesore	25.48	17.13	20.58	12.23	42.09	16.15	7.72	24.63	16.90	20.89	30.32	37.36	27.25	25.98	37.10	4.18	49.14	9.62	17.57	16.18	23.42	18.40	32.16	26.67	22.37	17.50	19.56	14.12
PROGRESSIVE DISTANCE Distanca Progresive	3386.14	3403.27	3423.85	3436.08	3478.17	3494.28	3524.63	3541.53	3562.42	3592.73	3630.09	3667.35	3683.33	3720.42	3724.61	3735.10	3754.62	3772.19	3788.37	3811.79	3830.19	3862.35	3889.02	3911.39	3928.89	3948.46	3962.57	
MILLAGE KILOMETRAZHI					3.50												3.75											
NOTES SHENIME																												

**Emertimi i fletes: Profili Gjatesor**

Nr. Fletes:	Gj- 16
Shk :	H:1-2000 V:1-200
Formati:	A3

**Tiranë 2024**



Profili Gjatesor LK PEKISHT  
 SHv 1:200 SHh 1:2000  
 VIJA E TOKES  
 VIJA E PROJEKTTIT  
 GERMIMI

**POROSITESI :**  
 BASHKIA PEQIN SHOQERIA RAJONALE UJESJELLES KANALIZIME ELBASAN SH.A

**OBJEKTI:** Rikonstruksimi i Ujësjetës të Fshatrave Trash, Karthnek, Nj. Adm. Sheze, Bashkia Peqin

**FAZA:** PROJEKT ZBATIMI

**Drejtues i projektit**  
 Adm. Ana NISHKU

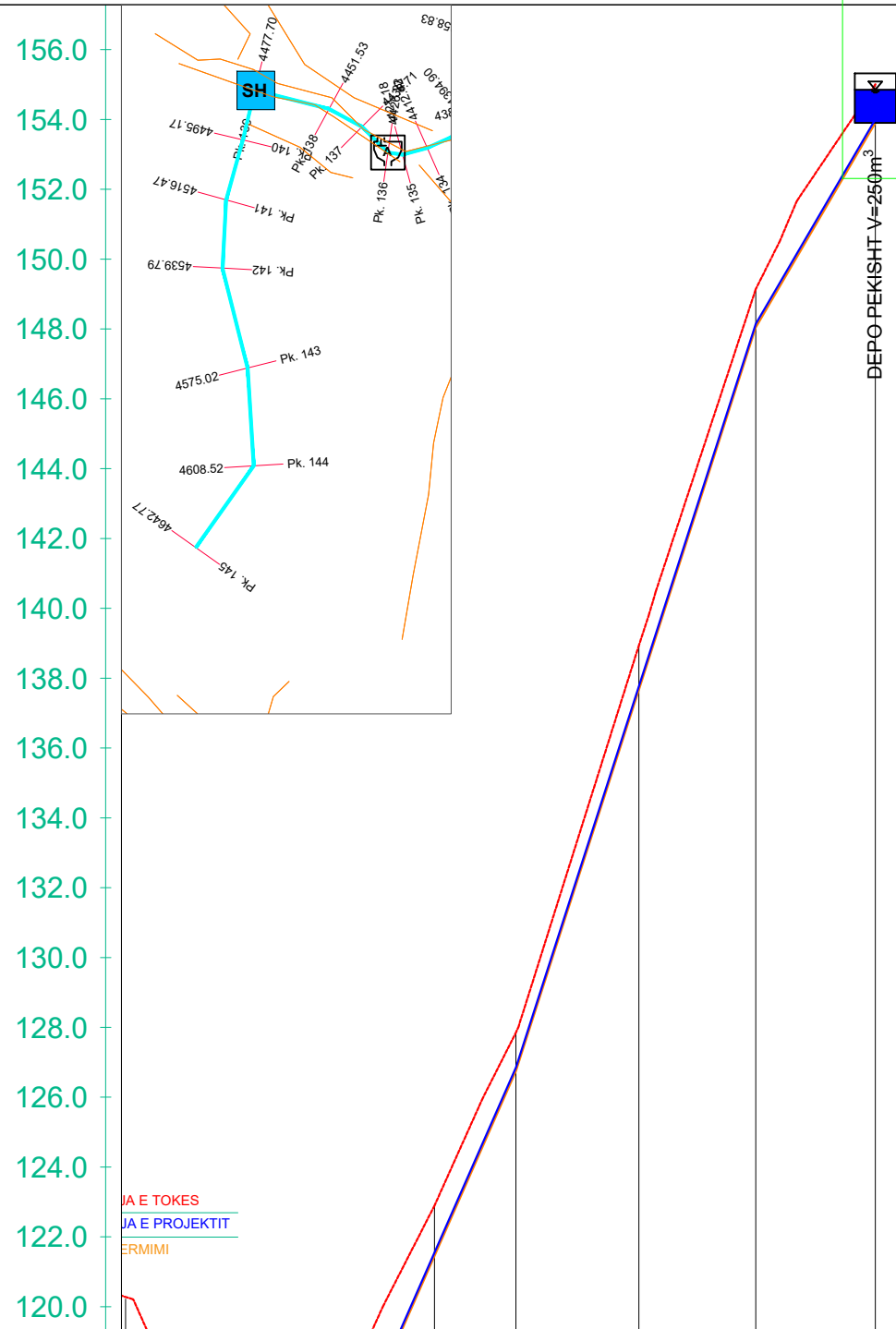
Projektues		
Nd. Liliana VLLAMASI		
Nd. Engjell CAKA		
Ark. Jorgjia Kallo		
Ark. Rigert Hyra		
Elek. Altin ALLKAJ		
Mek. Bujar MERAJ		
Top. Iv Beqari		
Gjeo. Besmir LUMANI		

HYDRAULIC ELEMENTS ELEMENTET HIDRAULIKE	0 Pn16 bar OD 90 mm : Q = 3.3 l/s : V = 0.78 m/s										TUB PE 100 Pn10 bar OD 90 mm : Q = 3.3 l/s : V = 0.76 m/s										TUB PE 100 Pn10 bar OD 90 mm																			
EXCAVATION GERMIMI	-0.97	-1.10	-1.57	-1.66	-1.21	-0.56	-1.10	-0.82	-1.05	-1.20	-1.21	-1.51	-1.10	-0.68	-1.29	-1.32	-1.34	-1.54	-2.14	-1.57	-1.90	-1.10	-1.10	-1.17	-1.96	-1.10	-1.36	-1.41	-1.27	-0.93	-0.86	-1.10	-1.86	-1.45						
PROJECT ELEVATION KUOTA E PROJEKTTIT	85.67	87.84	88.29	88.55	88.72	89.12	89.46	89.56	91.34	95.70	99.47	99.66	100.11	103.26	105.69	107.97	111.52	114.92	118.62	119.97	119.44	117.93	114.77	115.76	116.70	117.35	118.31	118.79	119.06	117.40	115.24	112.63	116.60	121.44						
GROUND ELEVATION KUOTA E TOKES	86.64	88.94	89.86	90.21	89.92	89.66	90.56	91.40	91.77	90.92	91.52	92.39	96.90	100.68	101.17	101.21	103.94	106.99	109.29	112.86	116.46	120.77	121.54	121.35	119.03	115.87	116.93	118.66	118.45	119.67	120.20	120.33	118.33	116.10	113.73	118.47	122.89			
NODE NUMBER NUMRI I PIKETES	105	106	107	108	109	110	111	112	113	114	115	116	117	118	119	120	121	122	123	124	125	126	127	128	129	130	131	132	133	134	135	136	137	138	139	140	141			
PARTIAL DISTANCE DISTANCA PJESORE	0	19.56	14.12	9.22	22.44	0.78	0.97	7.13	19.14	12.78	7.17	25.46	23.10	7.46	18.38	36.87	28.50	26.64	25.78	0.52	24.69	16.05	8.80	4.96	21.26	13.04	22.54	21.22	14.85	17.52	8.75	5.05	2.48	2.82	26.17	17.47	4.83	16.47	23	
PROGRESSIVE DISTANCE DISTANCA PROGRESIVE	3928.89	3948.46	3962.57	3970.56	3975.79	3988.23	3999.01	4009.67	4017.80	4036.94	4049.64	4057.81	4083.26	4106.36	4113.82	4132.20	4169.08	4197.58	4224.22	4250.52	4265.21	4281.23	4287.03	4301.99	4323.25	4336.29	4358.83	4380.06	4394.90	4412.42	4421.18	4426.23	4438.71	4451.53	4477.70	4495.17	4516.47			
MILLAGE KILOMETRAZHI						4.00											4.25																					4.50		
NOTES SHENIME																																								

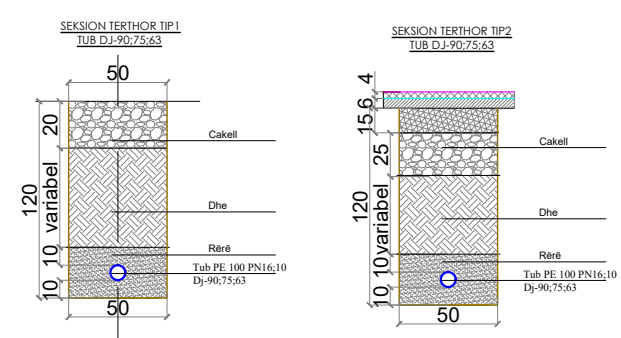
**Emertimi i fletes: Profili Gjatesor**

Nr. Fletes:	Gj- 17
Shk :	H:1-2000 V:1-200
Formati:	A3

**Tiranë 2024**



Profili Gjatesor LK PEKISHT  
SHv 1:200 SHh 1:2000



JA E TOKES  
JA E PROJEKTTIT  
ERMIMI

HYDRAULIC ELEMENTS ELEMENTET HIDRAULIKE	TUB PE 100 Pn10 bar OD 90 mm : Q = 3.3 l/s : V= 0.76 m/s									
EXCAVATION GERMIMI	1.27	-0.93	-0.86	-1.10	-1.86	-1.45	-1.10	-1.27	-1.10	-1.10
PROJECT ELEVATION KUOTA E PROJEKTTIT	120.00	117.40	115.24	112.63	116.60	121.44	126.74	137.66	148.04	153.90
GROUND ELEVATION KUOTA E TOKES	120.00	118.33	116.10	113.73	118.47	122.89	127.84	138.93	149.14	155.00
NODE NUMBER NUMRI I PIKETES	136	137	138	139	140	141	142	143	144	145
PARTIAL DISTANCE DISTANCA PJESORE	52.48	2.82	26.17	17.47	4.83	16.47	23.32	35.23	33.50	34.25
PROGRESSIVE DISTANCE DISTANCA PROGRESIVE	4438.71	4438.71	4451.53	4477.70	4495.17	4516.47	4539.79	4575.02	4608.52	4642.77
MILLAGE KILOMETRAZHI					4.50					4.64
NOTES SHENIME										

**POROSITESI :**  
BASHKIA PEQIN SHOGERIA RAJONALE UJESJELLES  
KANALIZIME ELBASAN SH.A

**OBJEKTI:** Rikonstruksion i Ujesjellesit te Fshatrave Trash, Karthnek, Nj.Adm.Sheze, Bashkia Peqin

**FAZA:** PROJEKT ZBATIMI

**Drejtues i projektit**  
Adm. Ana NISHKU

Projektues		
Nd. Liliana VLLAMASI		
Nd.Engjell CAKA		
Ark.Jorgjia Kallo		
Ark.Rigert Hyra		
Elek.Altin ALLKAJ		
Mek.Bujar MERAJ		
Top.Iv Beqari		
Gjeo.Besmir LUMANI		

Emertimi i fletes: Profili Gjatesor	
Nr. Fletes:	Gj- 18
Shk :	H:1-2000 V:1-200
Formati:	A3
Tiranë 2024	