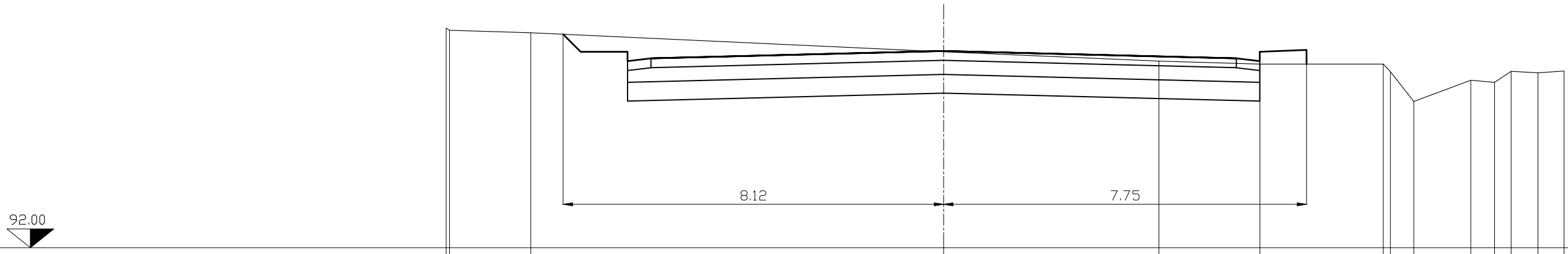


SEZ.NUM. 0

PROGR. 0.00

PARZ. 0.00

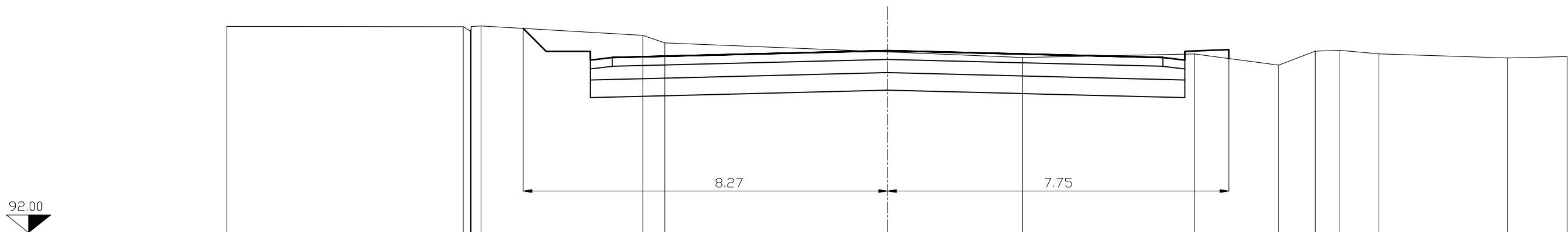


D.Pjesore		1.73		8.82		4.60		2.16		2.63		0.15	0.50	1.22	0.51	0.35	0.57	0.56	
Kuota Tokes	-96.64	-96.59			-96.18			-95.98		-95.92		-95.92	-95.76	-95.12	-95.57	-95.53	-95.77	-95.74	-95.77
D.Pjesore			0.37	1.00	0.50	6.25		6.25		0.50	1.00								
Kuota Projektit			-96.56	-96.18	-96.18	-96.04				-96.04	-95.98	-96.18	-96.62						

SEZ.NUM. 1

PROGR. 19.59

PARZ. 19.59

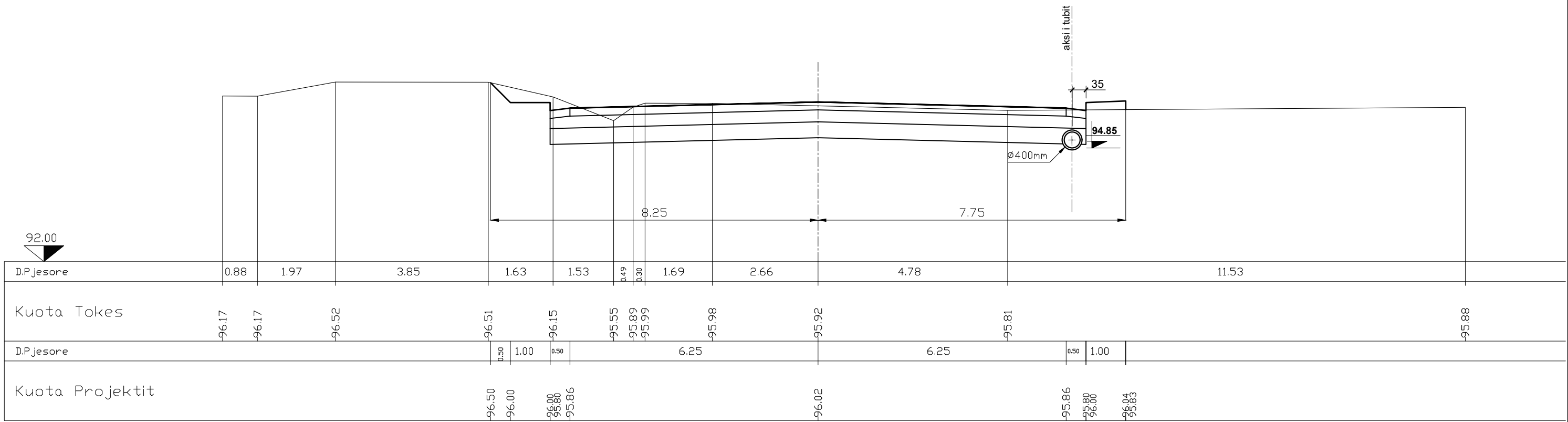


D.Pjesore		5.37		3.67	0.50	5.05		3.06		3.90		1.91	0.83	0.56	0.89		2.92		1.35
Kuota Tokes	-96.69		-96.68	-96.70		-96.49	-96.32	-96.11		-95.98		-96.06	-95.81	-96.13	-96.14	-96.07		-95.97	-96.00
D.Pjesore			0.52	1.00	0.50	6.25		6.25		0.50	1.00								
Kuota Projektit			-96.64	-96.12	-96.12	-95.98		-96.14				-95.98	-96.12	-96.16					

SEZ.NUM. 4

PROGR. 58.50

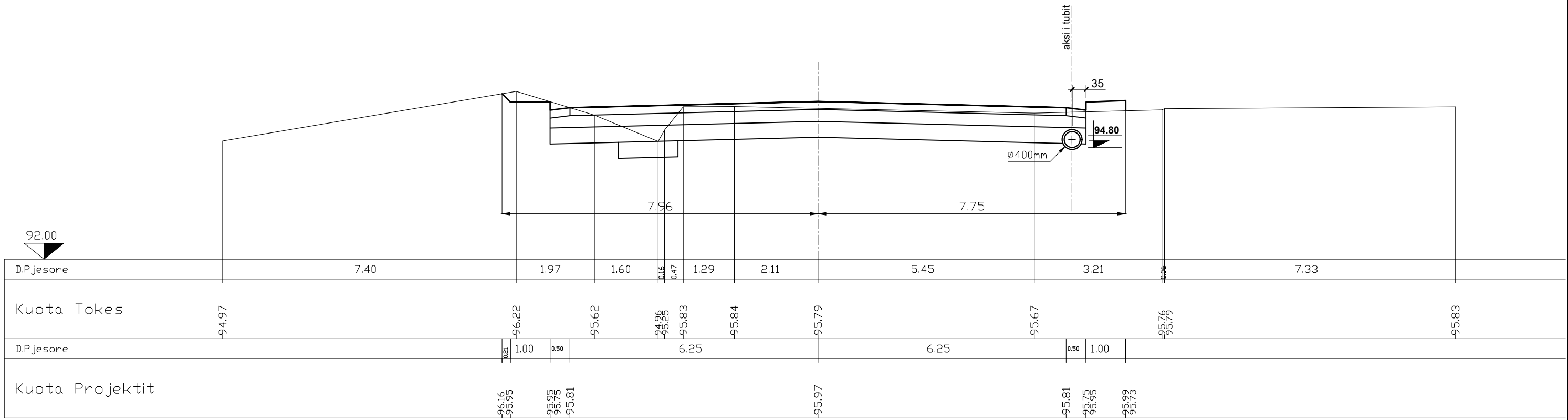
PARZ. 16.11



SEZ.NUM. 5

PROGR. 75.32

PARZ. 16.81

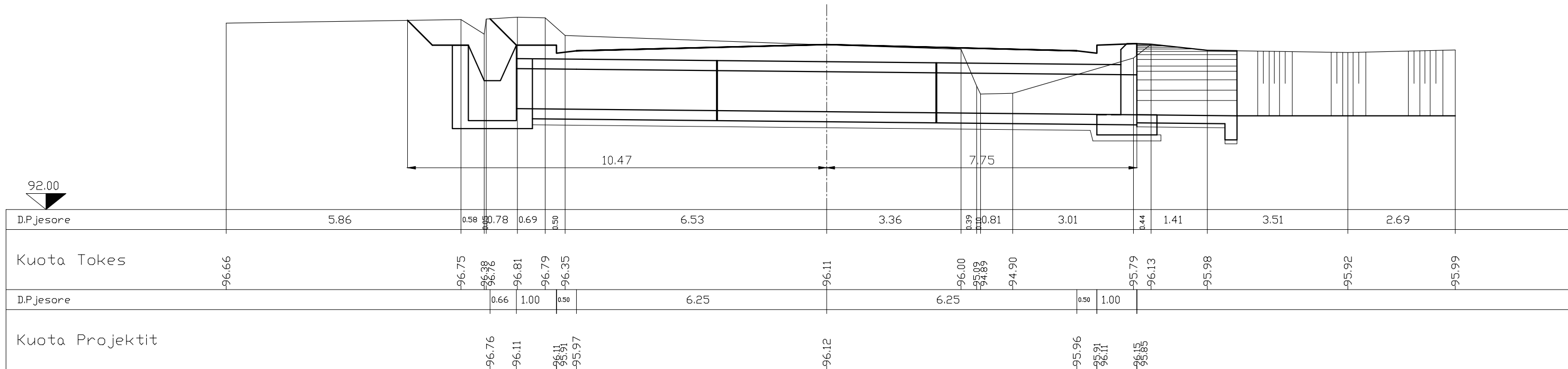


SEZ.NUM. 2

PROGR. 25.30

PARZ. 5.71

TOMBINO KUTI 2.0 x 1.0m

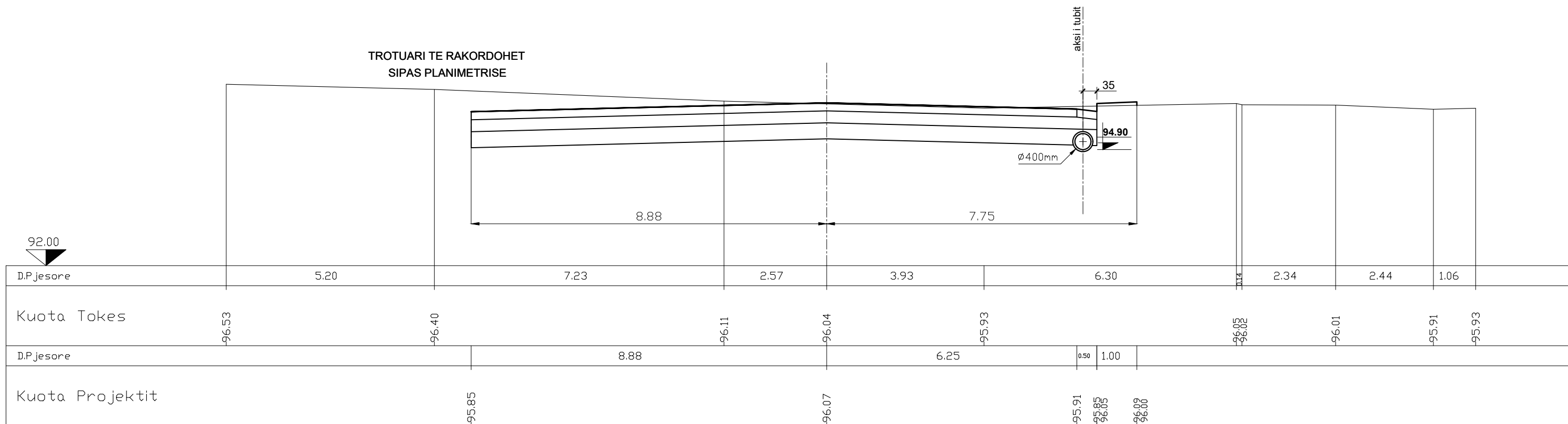


SEZ.NUM. 3

PROGR. 42.39

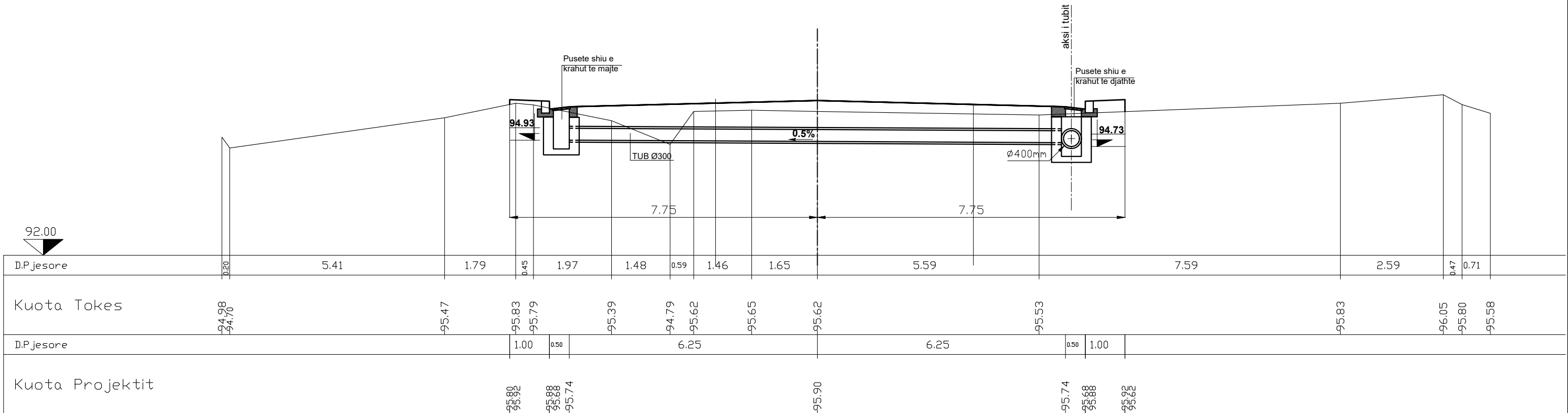
PARZ. 17.09

TROTUARI TE RAKORDOHET
SIPAS PLANIMETRISE



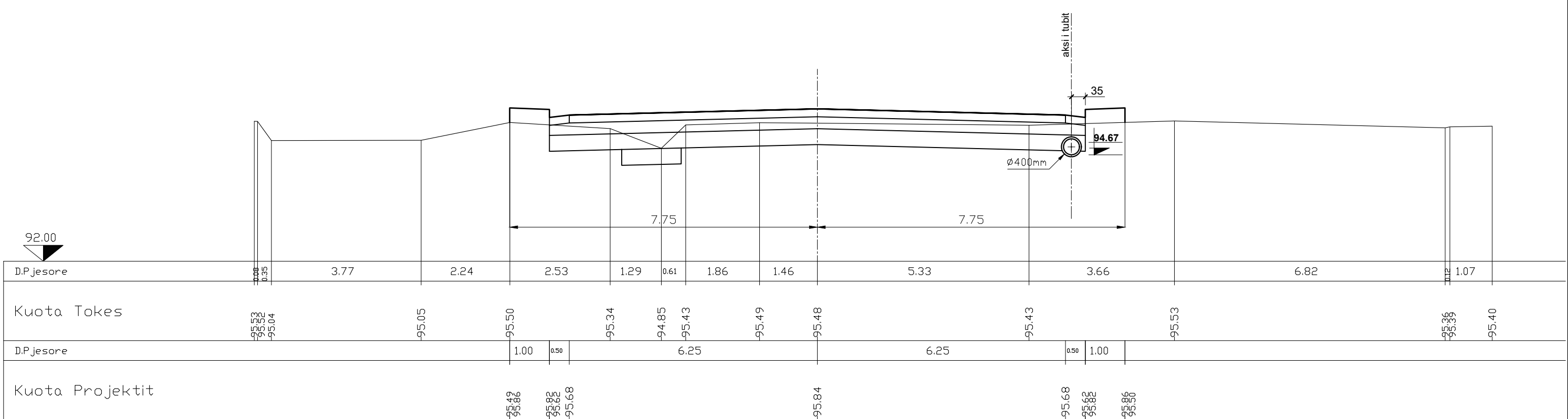
SEZ.NUM. 6

PROGR. 97.41
PARZ. 22.10



SEZ.NUM. 7

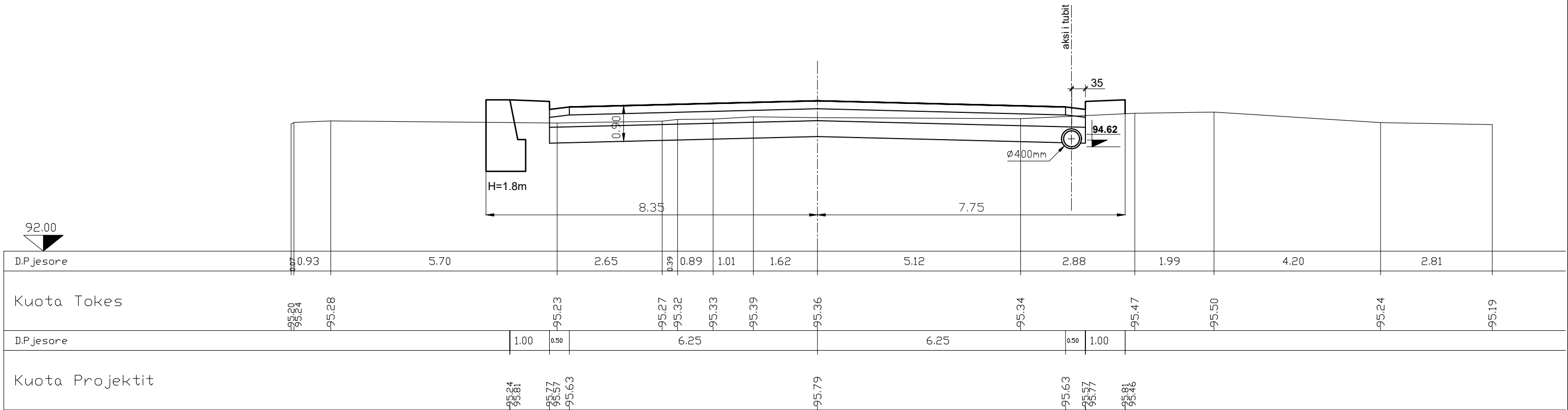
PROGR. 116.89
PARZ. 19.48



SEZ.NUM. 8

PROGR. 133.43

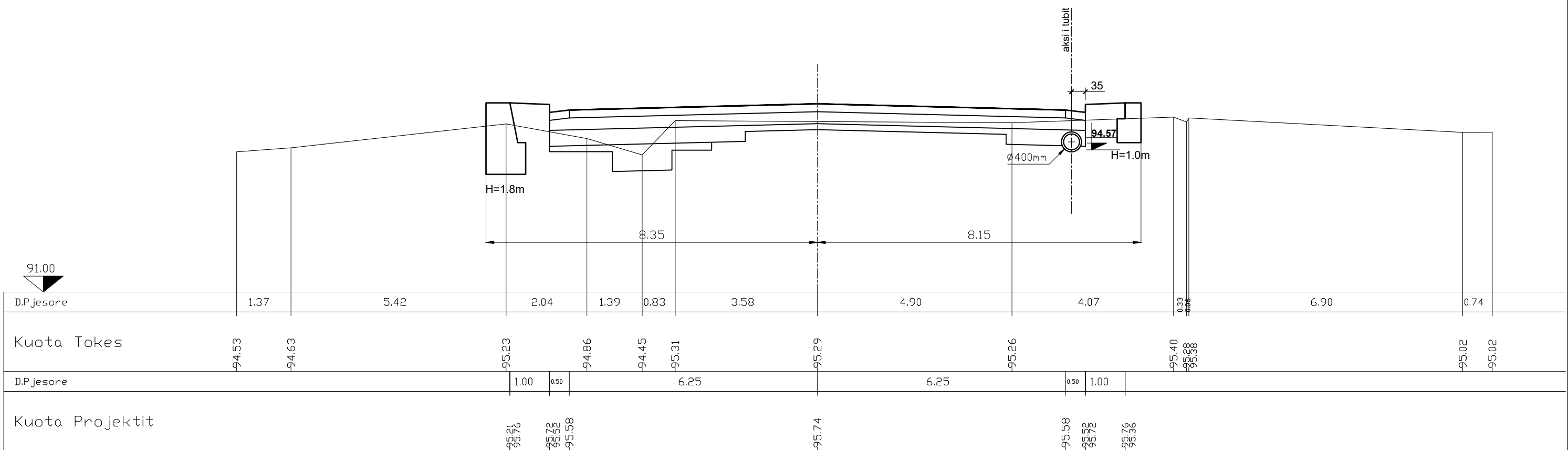
PARZ. 16.54



SEZ.NUM. 9

PROGR. 150.32

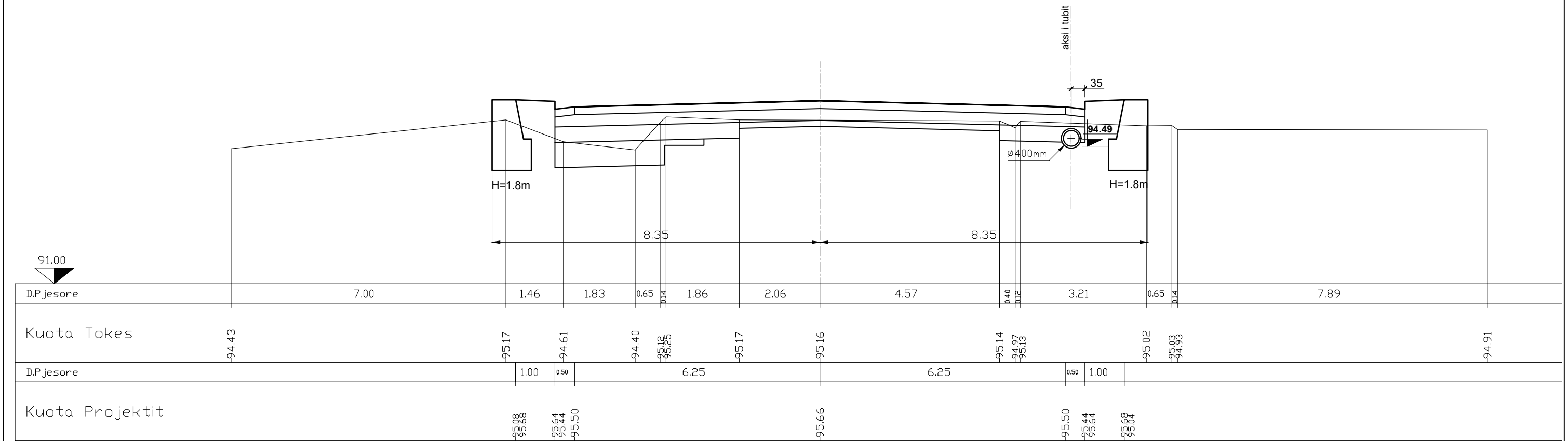
PARZ. 16.88



SEZ.NUM. 10

PROGR. 175.32

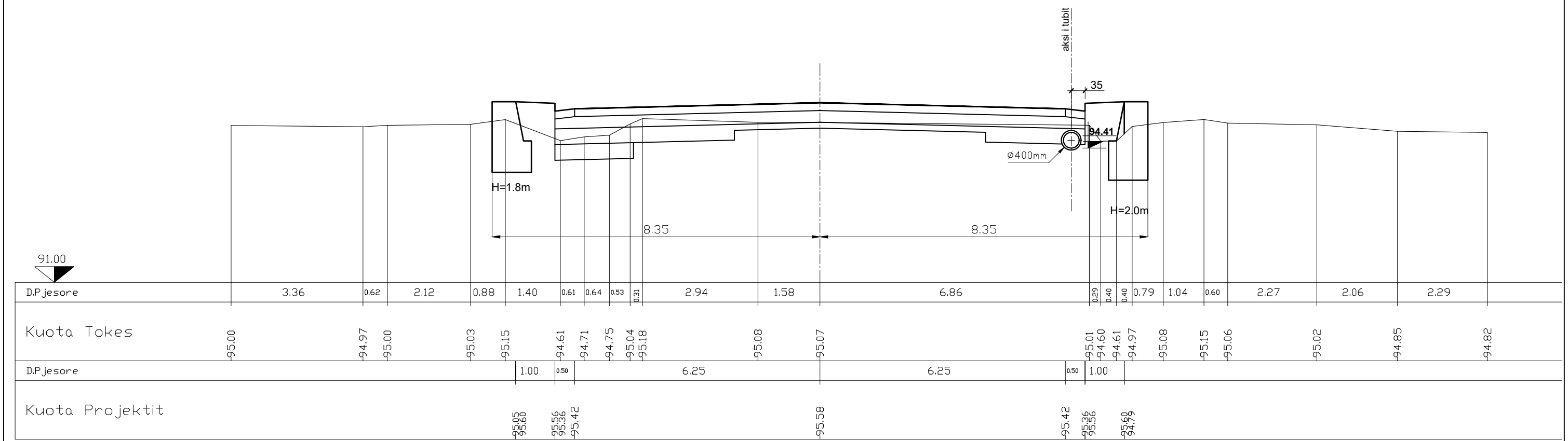
PARZ. 25.00



SEZ.NUM. 11

PROGR. 200.32

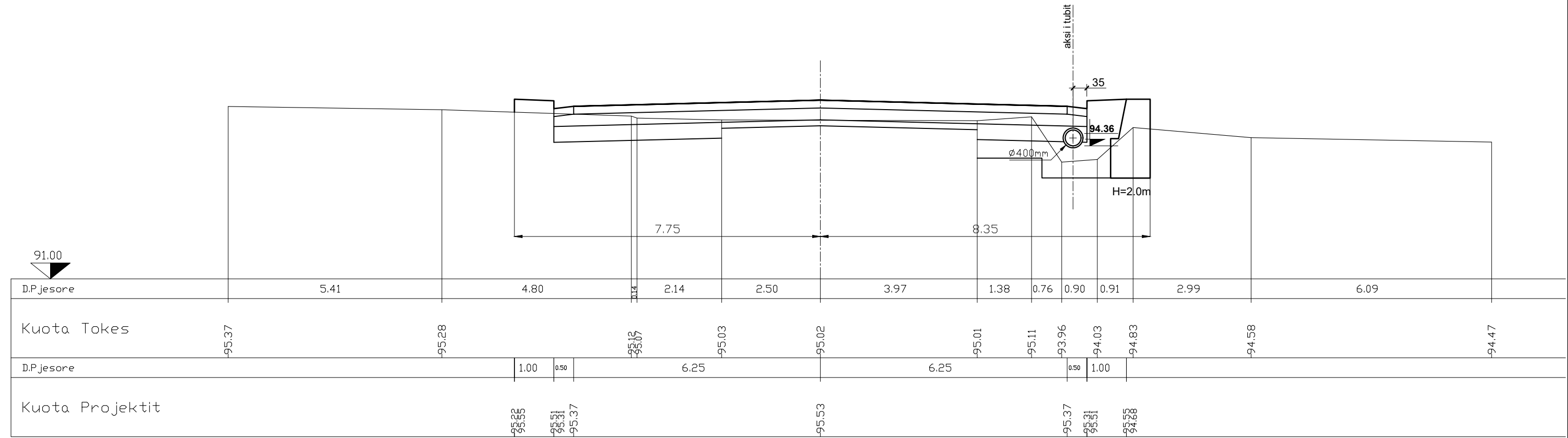
PARZ. 25.00



SEZ.NUM. 12

PROGR. 217.53

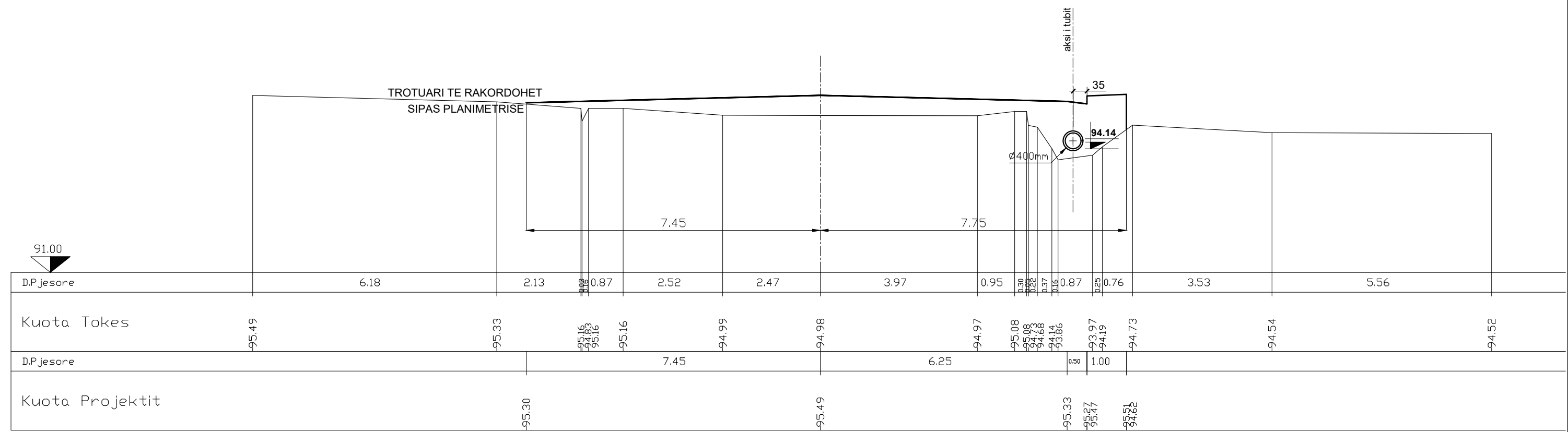
PARZ. 17.22



SEZ.NUM. 13

PROGR. 229.48

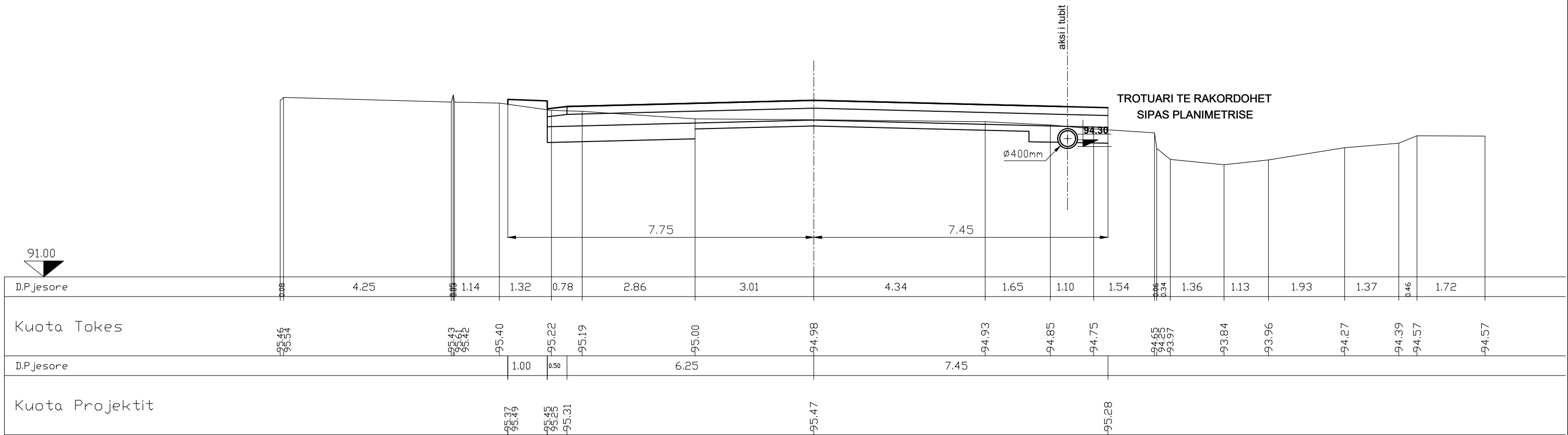
PARZ. 11.95



SEZ.NUM. 14

PROGR. 235.98

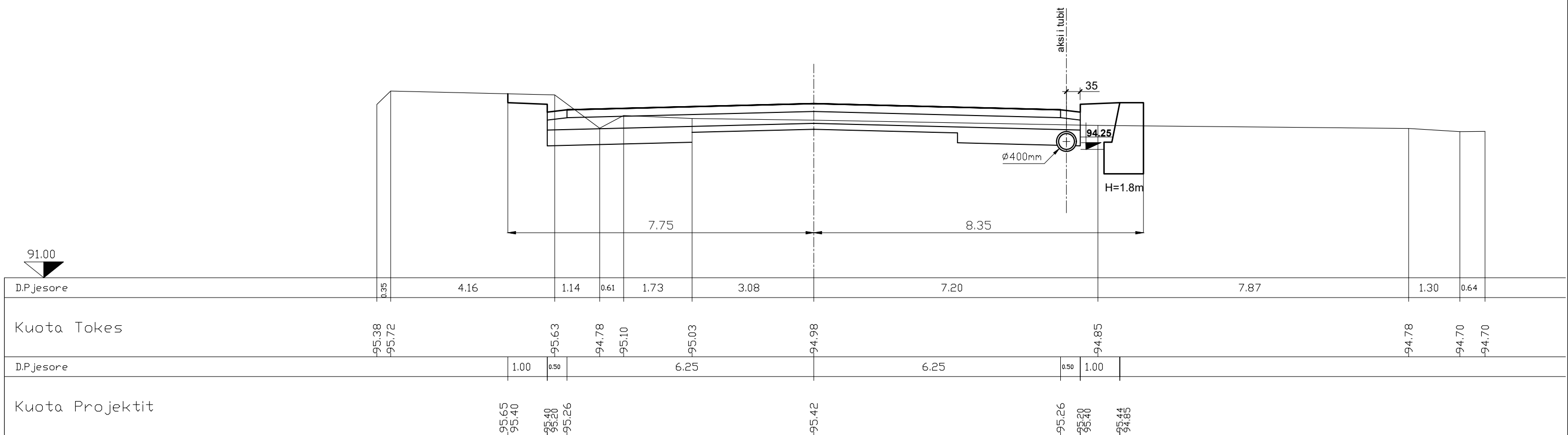
PARZ. 6.50



SEZ.NUM. 15

PROGR. 252.10

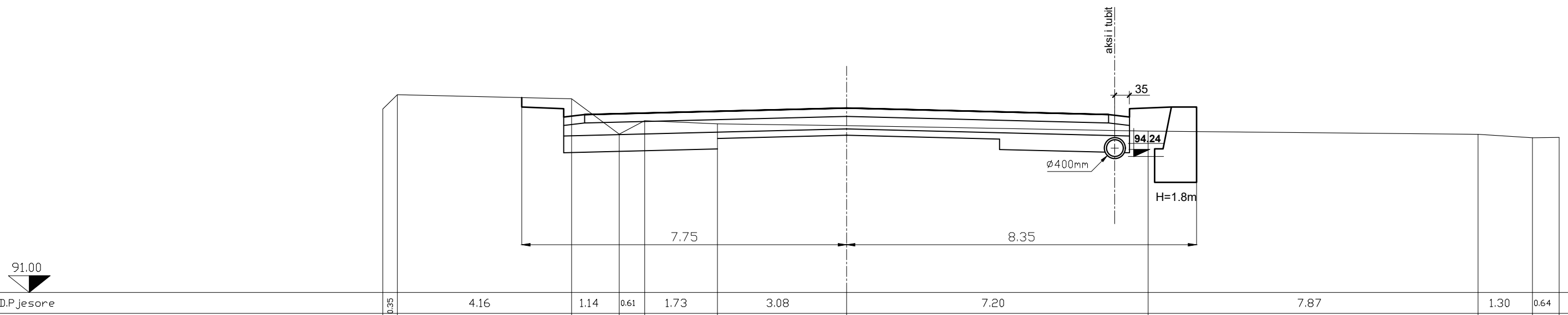
PARZ. 16.12



SEZ.NUM. 16

PROGR. 257.10

PARZ. 5.00

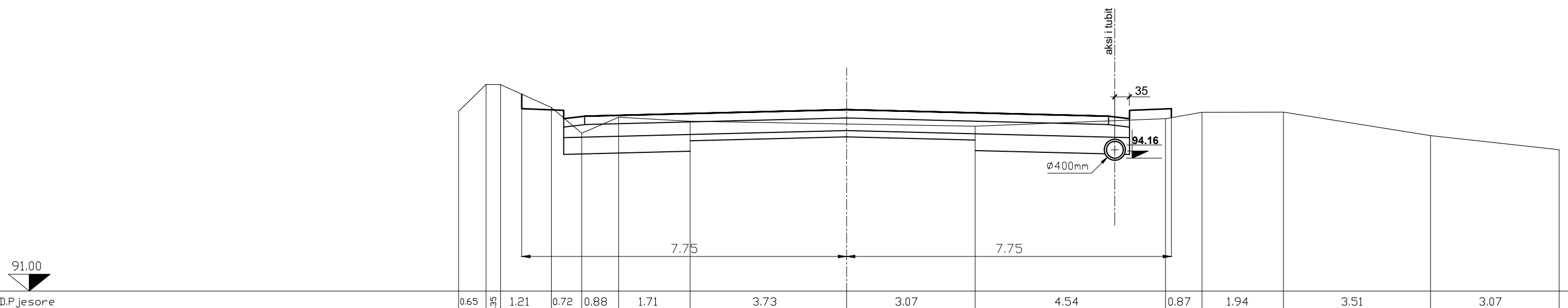


D.P.jesore	0.35	4.16	1.14	0.61	1.73	3.08	7.20	7.87	1.30	0.64
Kuota Tokes	-95.38 -95.72		-95.63	-94.78	-95.10	-95.03	-94.99	-94.85	-94.78	-94.70 -94.70
D.P.jesore		1.00	0.50		6.25		6.25	0.50	1.00	
Kuota Projektit		95.65 95.39	95.39 95.25			-95.41		95.25 95.19 95.39	94.85	

SEZ.NUM. 17

PROGR. 282.00

PARZ. 24.90

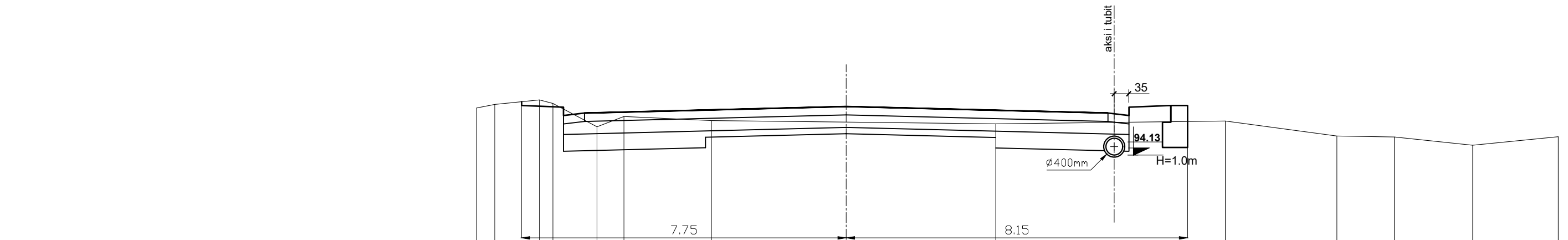


D.P.jesore	0.65	0.25	1.21	0.72	0.88	1.71	3.73	3.07	4.54	0.87	1.94	3.51	3.07
Kuota Tokes	-95.29	-95.93 -95.93	-95.38	-94.77	-95.15	-95.05	-94.99	-94.93	-95.12	-95.27	-95.27	-94.71	-94.37
D.P.jesore		1.00	0.50		6.25		6.25	0.50	1.00				
Kuota Projektit		95.70 95.35	95.31 95.17			-95.33		95.17 95.31	95.35 95.14				

SEZ.NUM. 18

PROGR. 298.81

PARZ. 16.81

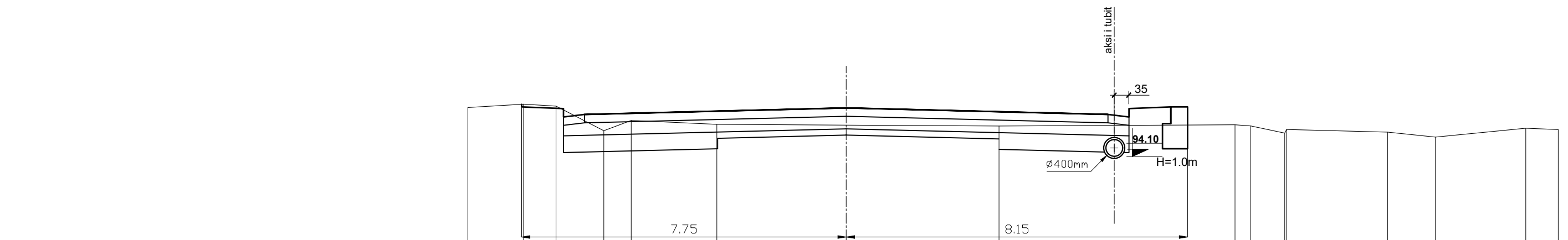


D.P.jesore	0.43	1.07	0.32	1.05	0.64	2.09	3.22	3.57	5.48	2.66	1.37	1.87	2.04	
Kuota Tokes	-95.26	-95.35	-95.46	-95.37	-94.82	-95.06	-94.96	-94.93	-94.89	-94.95	-94.60	-94.57	-94.38	-94.58
D.P.jesore		1.00	0.50			6.25		6.25	0.50	1.00				
Kuota Projektit	-95.41	-95.32	-95.28	-95.14			-95.30		-95.14	-95.08	-95.28	-95.32		

SEZ.NUM. 19

PROGR. 313.57

PARZ. 14.76

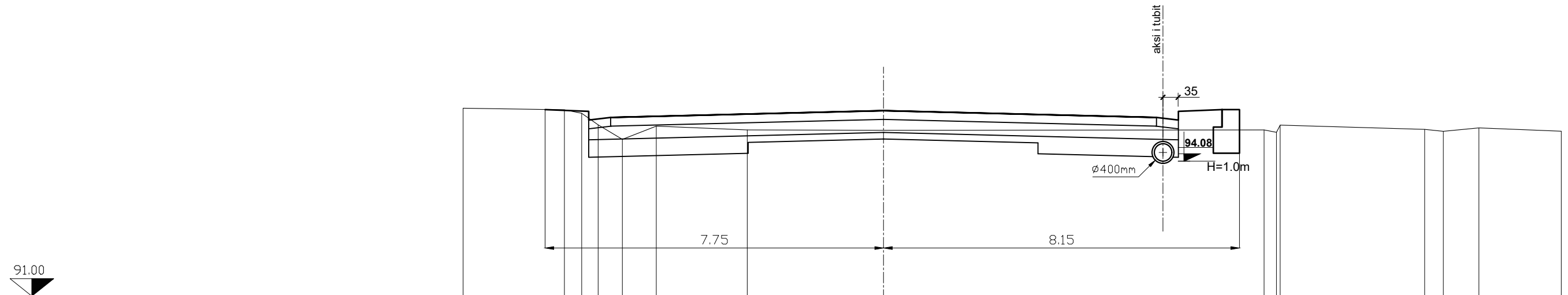


D.P.jesore	1.33	0.78	1.14	0.65	2.05	3.09	3.65	5.63	0.37	0.81	0.04	2.41	1.14	2.16	0.77	
Kuota Tokes	-95.29	-95.36	-95.32	-94.73	-94.98	-94.88	-94.86	-94.84	-94.87	-94.84	-94.67	-94.76	-94.70	-94.58	-94.79	-94.76
D.P.jesore		1.00	0.50			6.25		6.25	0.50	1.00						
Kuota Projektit	-95.36	-95.30	-95.06	-95.12			-95.27		-95.12	-95.06	-95.26	-94.86				

SEZ.NUM. 20

PROGR. 328.01

PARZ. 14.45

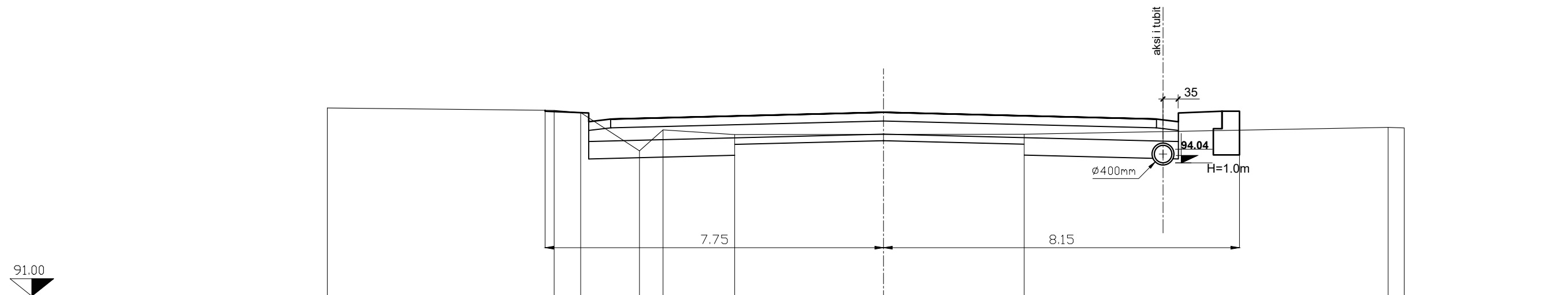


D.Pjesore		2.32	0.40	0.38	0.55	0.78	2.08	3.12		8.71		0.28	0.08	3.31	0.43	0.81	1.89		
Kuota Tokes		-95.30	-95.27	-95.19	-94.92	-94.59	-94.89	-94.81	-94.80			-94.81	-94.75	-94.72	-94.82	-94.78	-94.85	-94.78	
D.Pjesore			1.00	0.58			6.25			6.25		0.50	1.00						
Kuota Projektit			-95.27	-95.03	-95.09			-95.25				-95.09	-95.23	-95.27					

SEZ.NUM. 21

PROGR. 348.81

PARZ. 20.80

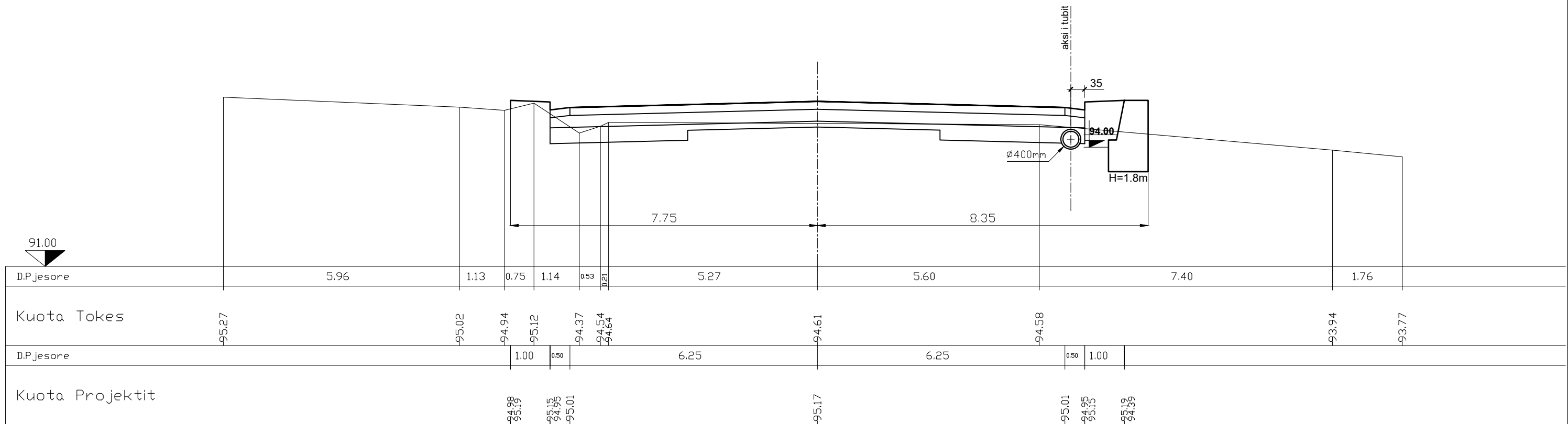


D.Pjesore		5.20	0.61	1.34	0.54	1.64	3.41	3.22		8.33		0.37						
Kuota Tokes		-95.31	-95.26	-95.21	-94.33	-94.81	-94.70	-94.71	-94.71			-94.87	-94.85					
D.Pjesore			1.00	0.58			6.25			6.25		0.50	1.00					
Kuota Projektit			-95.24	-95.20	-95.06			-95.21				-95.06	-95.20	-95.24				

SEZ.NUM. 22

PROGR. 373.81

PARZ. 25.00

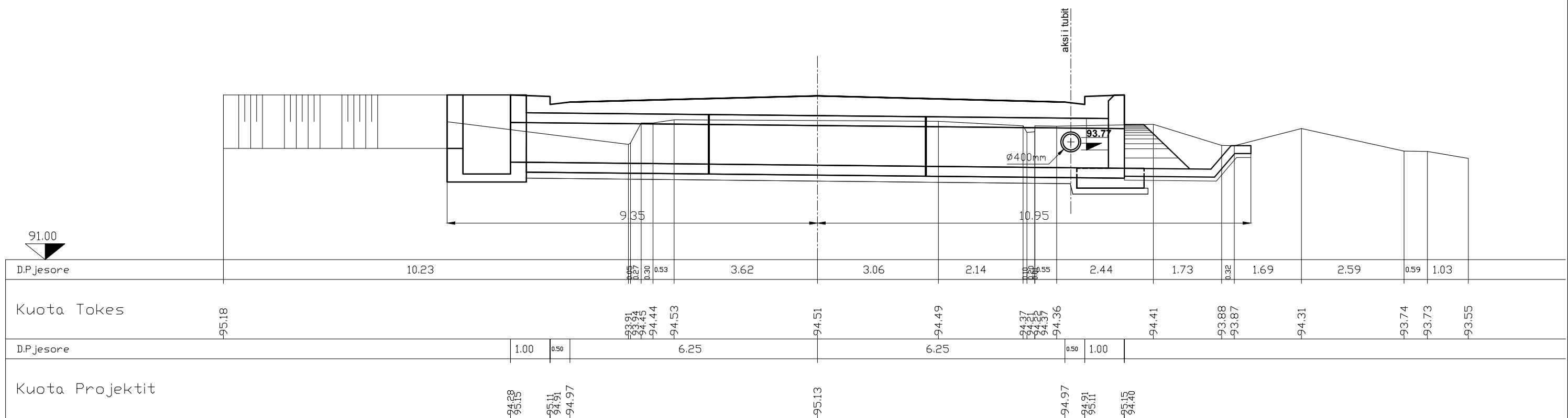


SEZ.NUM. 23

PROGR. 397.02

PARZ. 23.21

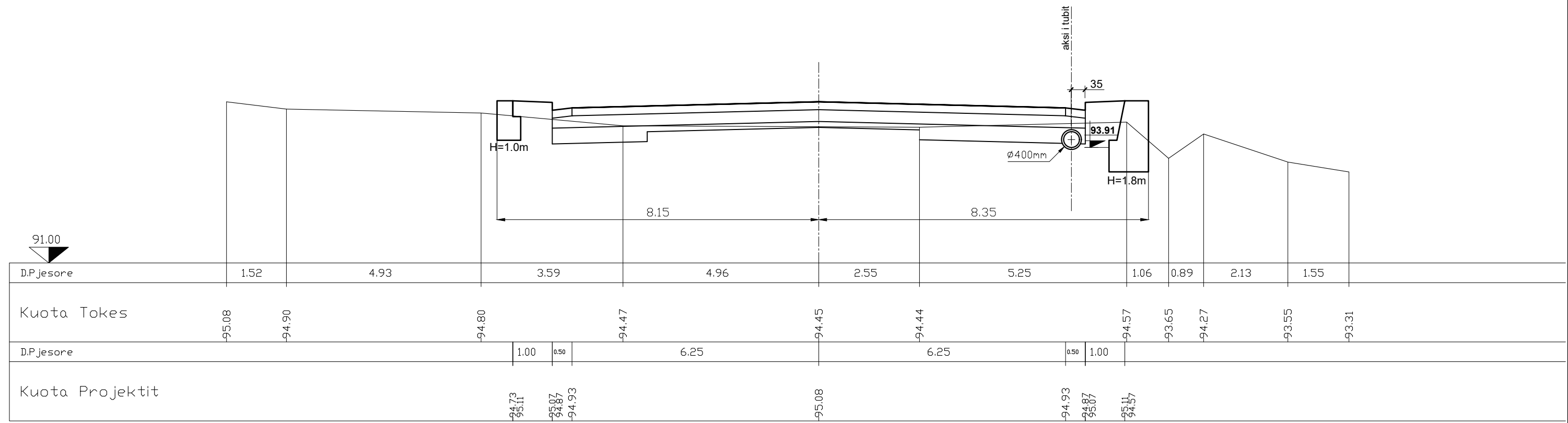
TOMBINO KUTI 2.0 x 1.0m



SEZ.NUM. 24

PROGR. 423.81

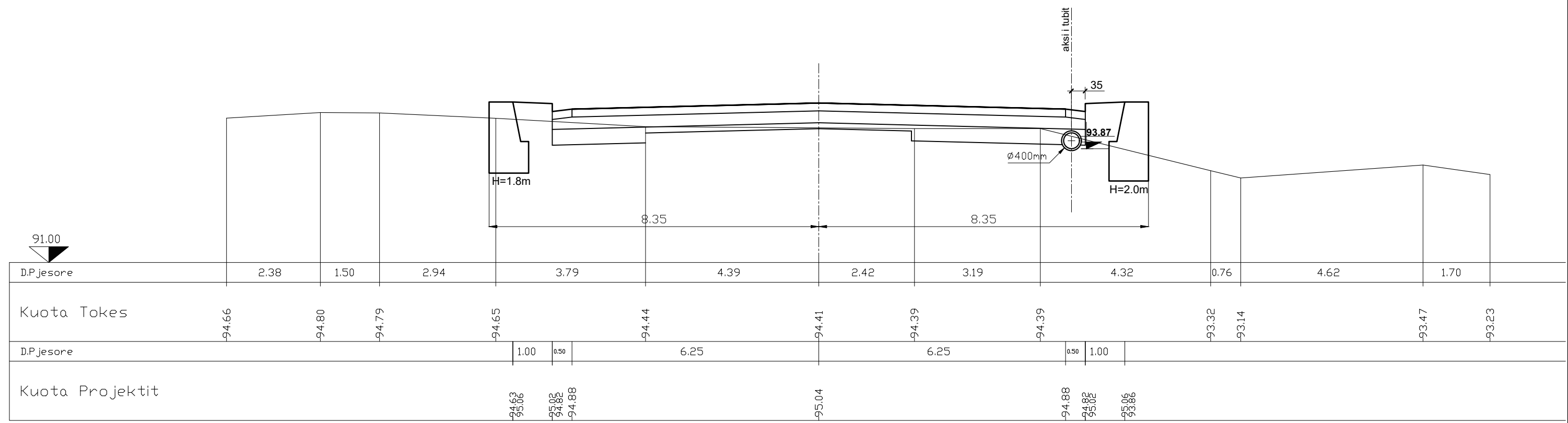
PARZ. 26.79



SEZ.NUM. 25

PROGR. 448.81

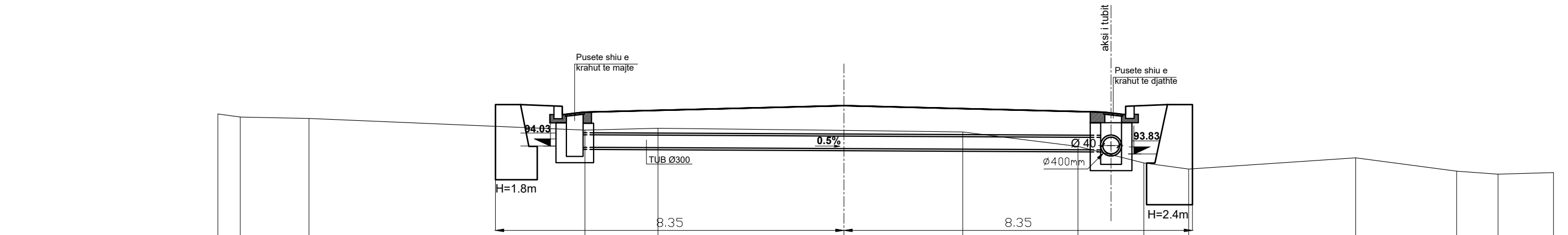
PARZ. 25.00



SEZ.NUM. 26

PROGR. 473.81

PARZ. 25.00



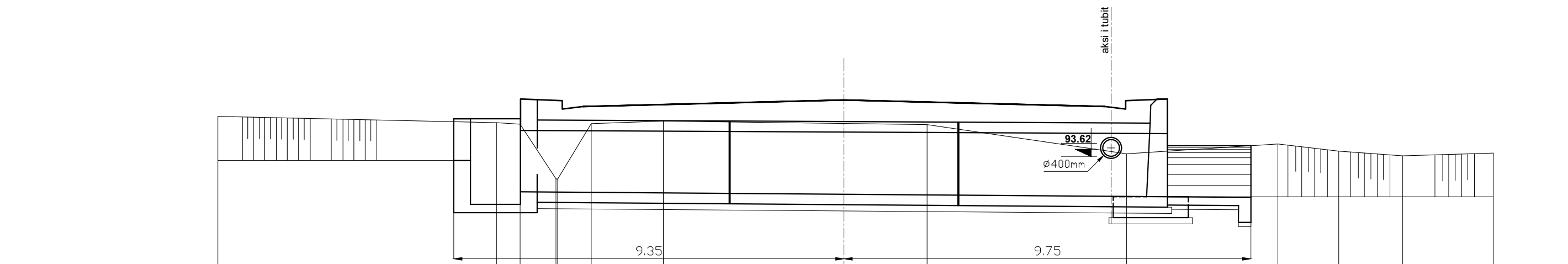
D.Pjesore	0.53	1.65	6.61	1.75	4.46	2.85	2.76	1.58	1.07	4.00	2.42	0.99	1.33	
Kuota Tokes	-94.80	-94.72	-94.69	-94.41	-94.45	-94.40	-94.36	-94.02	-93.62	-93.48	-93.75	-93.43	-93.35	-93.39
D.Pjesore				1.00	0.50	6.25	6.25	0.50	1.00					
Kuota Projektit	-94.48	-94.78	-94.84	-95.00	-94.84	-94.98	-95.02	-93.55						

SEZ.NUM. 27

PROGR. 489.13

PARZ. 15.32

TOMBINO KUTI 2.0 x 1.5m

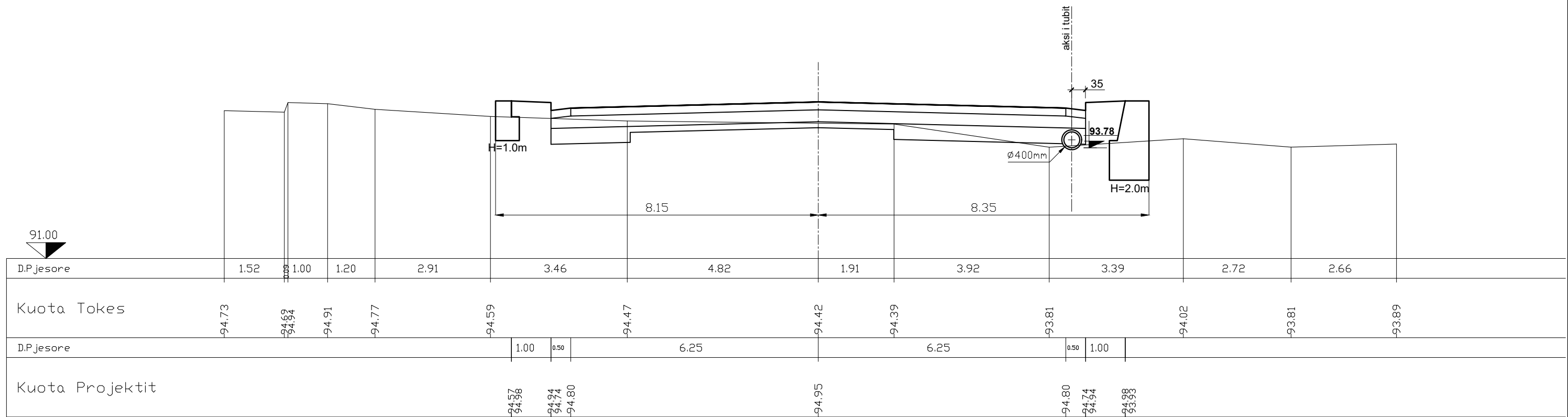


D.Pjesore	6.67	0.57	0.86	0.80	1.73	4.33	1.99	4.78	3.62	1.46	1.53	2.18	
Kuota Tokes	-94.58	-94.43	-94.39	-93.08	-94.40	-94.46	-94.41	-94.38	-93.68	-93.92	-93.75	-93.63	-93.70
D.Pjesore		1.00	0.50	6.25	6.25	0.50	1.00						
Kuota Projektit	-94.37	-94.75	-94.81	-94.97	-94.81	-94.95	-94.99	-93.74					

SEZ.NUM. 28

PROGR. 498.81

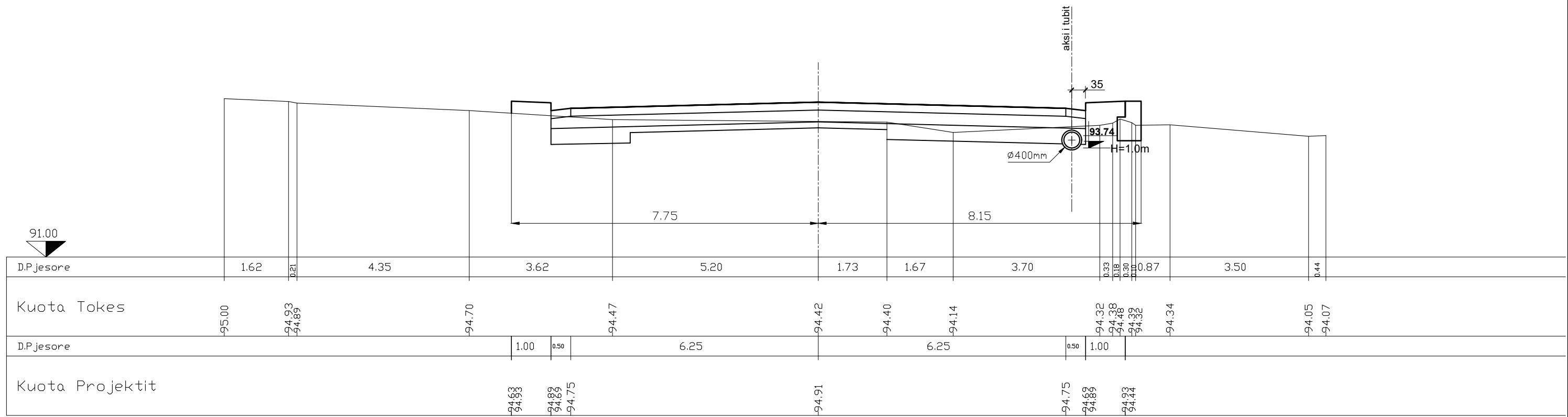
PARZ. 9.68



SEZ.NUM. 29

PROGR. 523.81

PARZ. 25.00



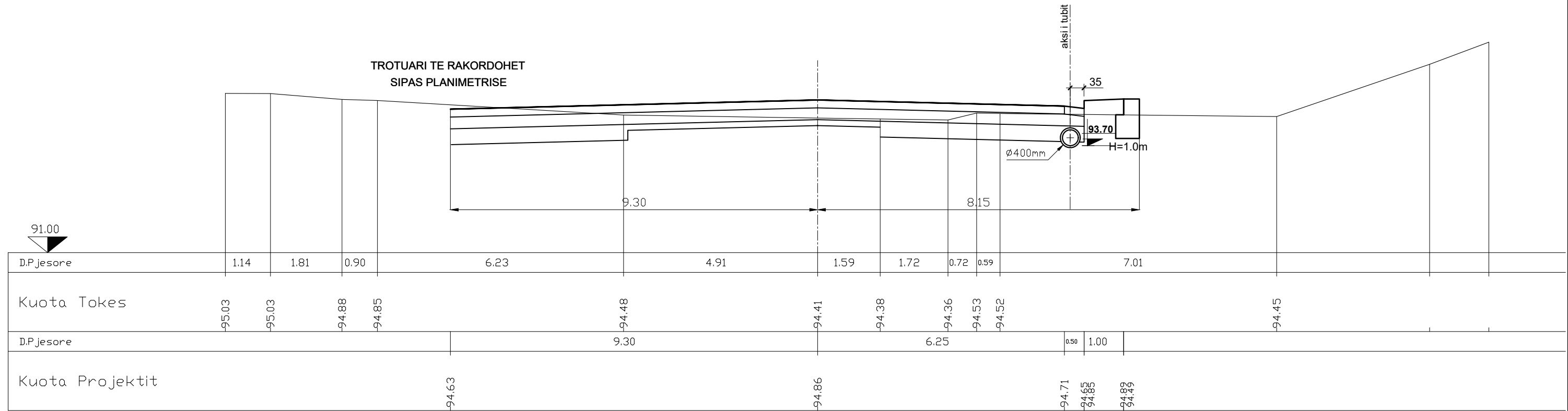
SEZ.NUM. 30

PROGR. 548.81

PARZ. 25.00

TROTUARI TE RAKORDOHET
SIPAS PLANIMETRISE

91.00

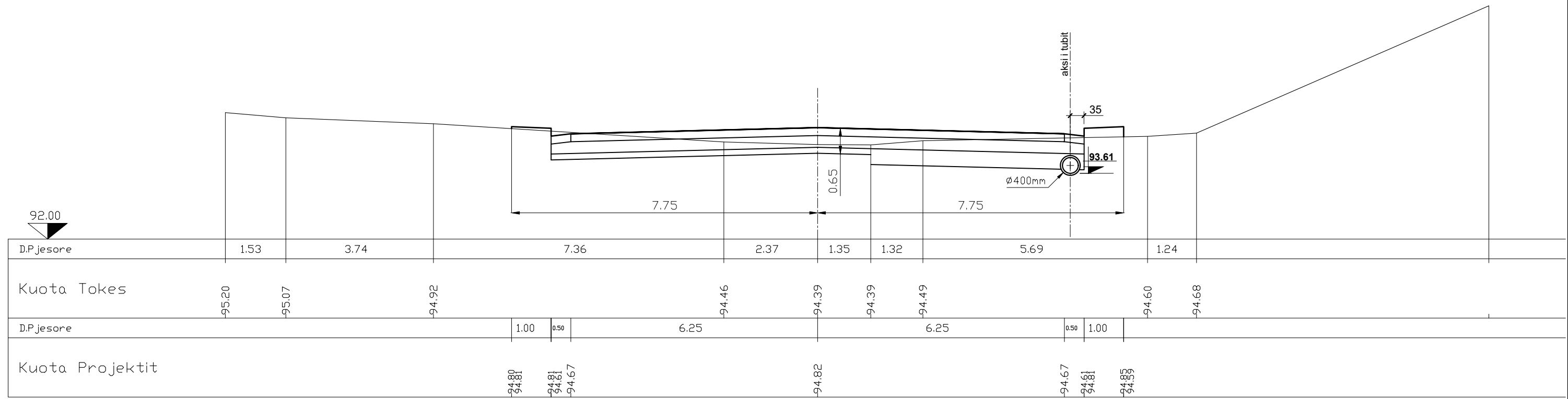


SEZ.NUM. 31

PROGR. 573.81

PARZ. 25.00

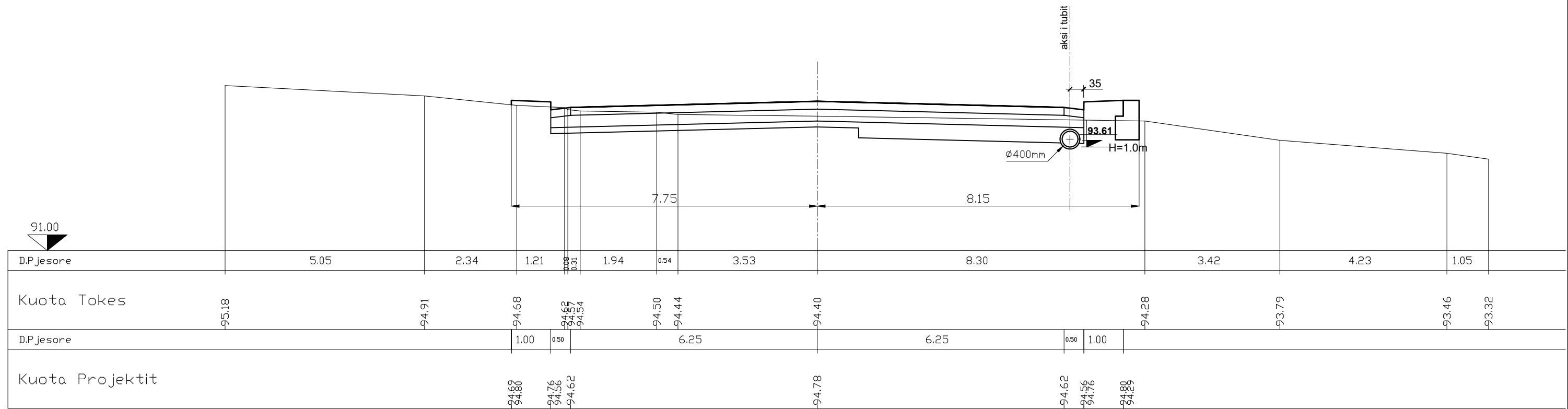
92.00



SEZ.NUM. 32

PROGR. 598.81

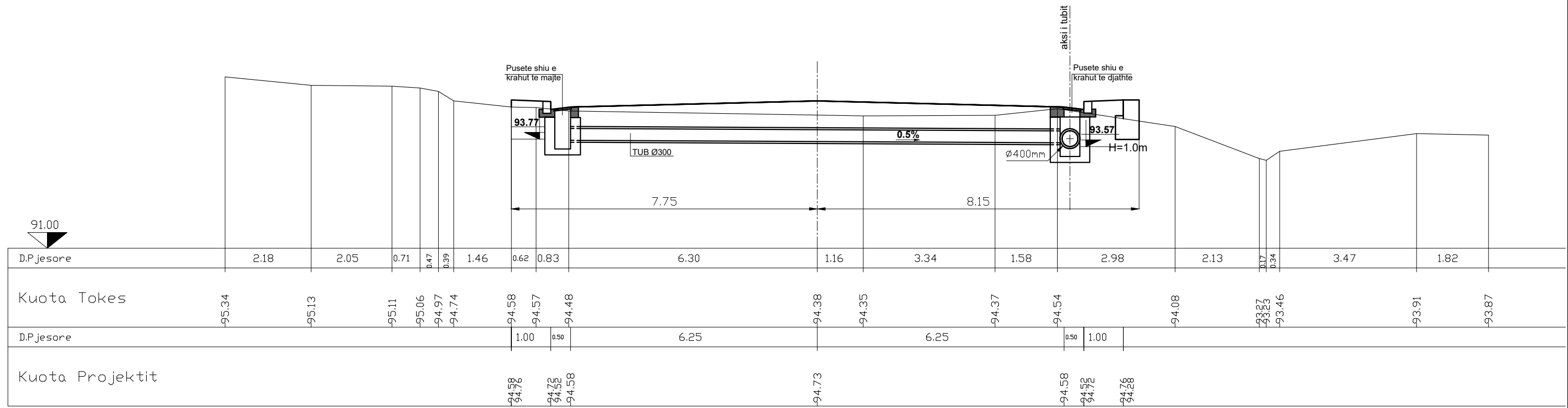
PARZ. 25.00



SEZ.NUM. 33

PROGR. 624.55

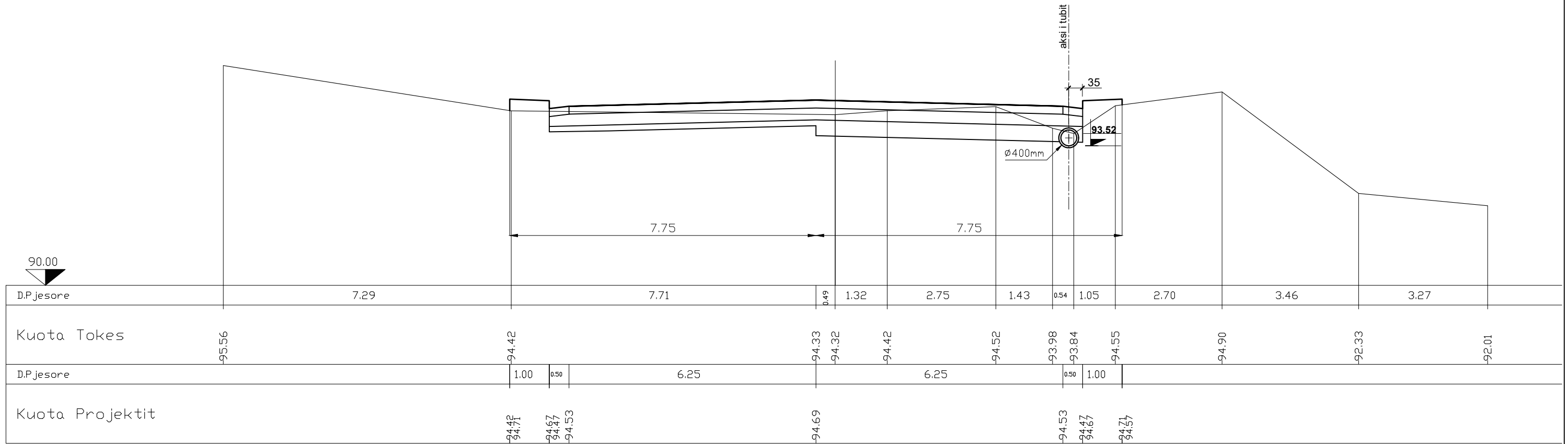
PARZ. 25.74



SEZ.NUM. 34

PROGR. 650.71

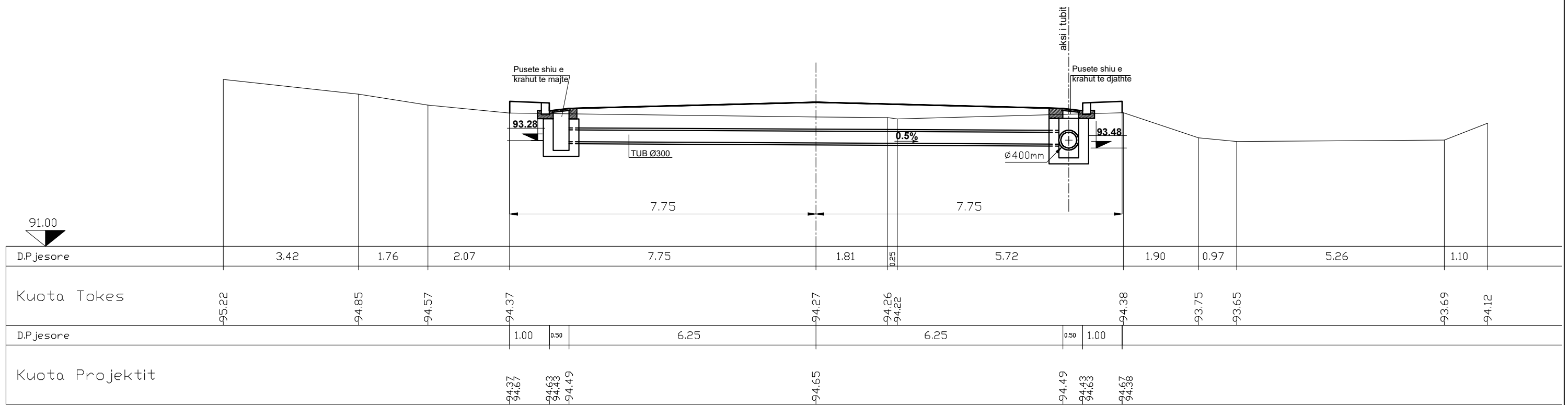
PARZ. 26.16



SEZ.NUM. 35

PROGR. 675.71

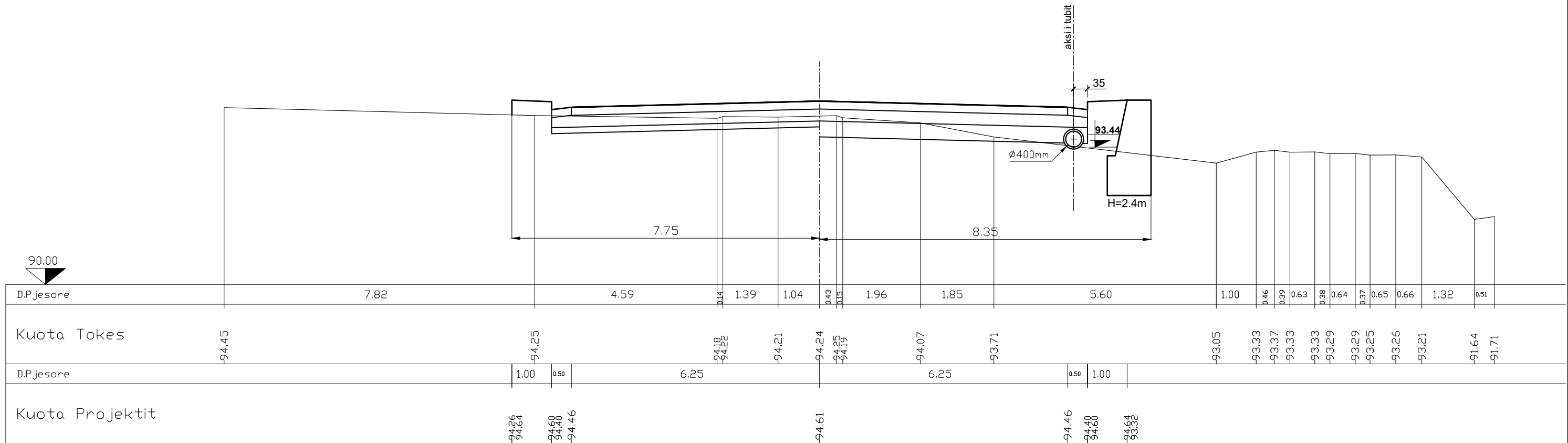
PARZ. 25.00



SEZ.NUM. 36

PROGR. 694.43

PARZ. 18.72

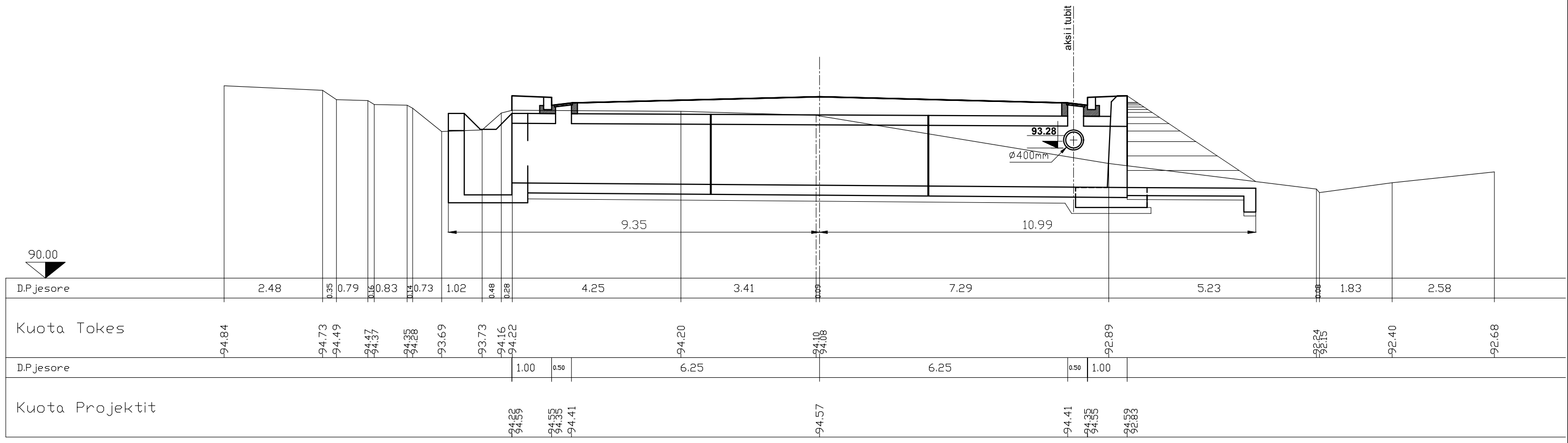


SEZ.NUM. 37

PROGR. 709.22

PARZ. 14.79

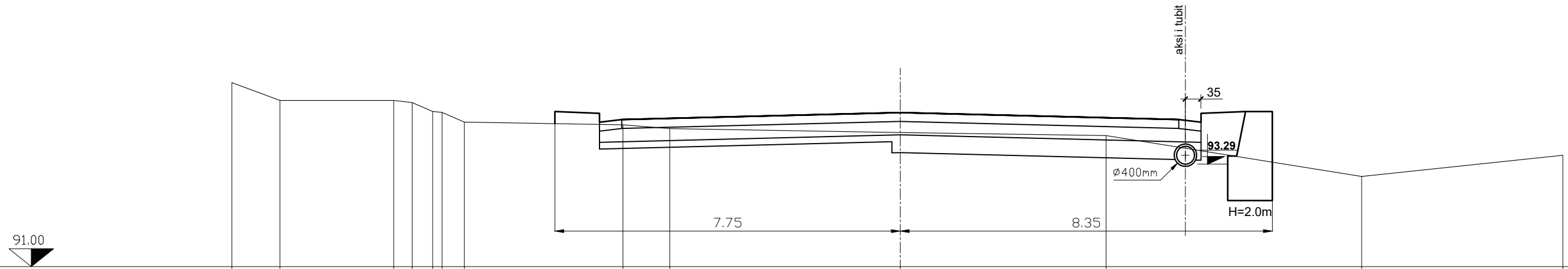
TOMBINO KUTI 2.0 x 1.5m



SEZ.NUM. 38

PROGR. 725.71

PARZ. 16.49

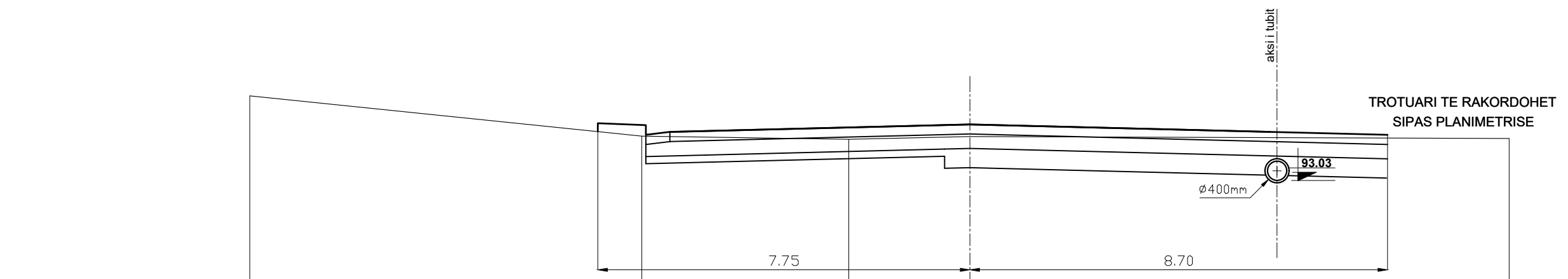


D.P.Jesore	1.08	2.55	0.41	0.46	0.21	0.50	3.56	1.05	5.17	4.62	5.74	4.52			
Kuota Tokes	-95.13	-94.73	-94.73	-94.68	-94.49	-94.46	-94.25	-94.18	-94.10	-94.01	-93.94	-93.03	-93.50		
D.P.Jesore							1.00	0.50	6.25	6.25	0.50	1.00			
Kuota Projektit							-94.21	-94.28	-94.44	-94.30	-94.46	-94.30	-94.44	-94.48	-93.44

SEZ.NUM. 39

PROGR. 750.71

PARZ. 25.00

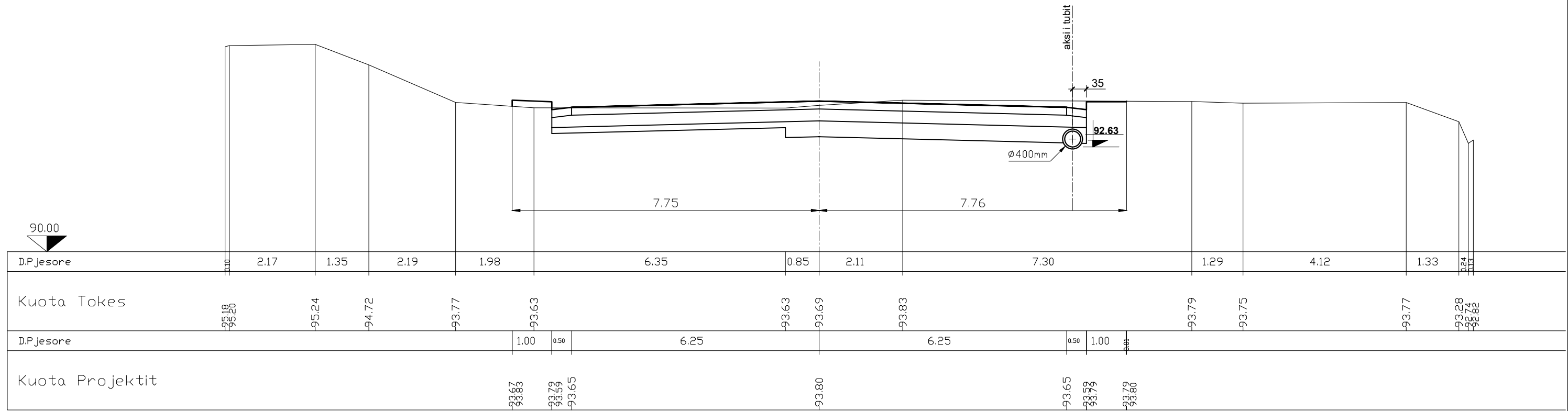


D.P.Jesore	8.17	4.31	2.52	11.23				
Kuota Tokes	-94.79	-93.95	-93.89	-93.94	-93.90			
D.P.Jesore		1.00	0.50	6.25	8.70			
Kuota Projektit		-94.05	-94.22	-94.18	-93.98	-94.04	-94.20	-93.98

SEZ.NUM. 40

PROGR. 778.65

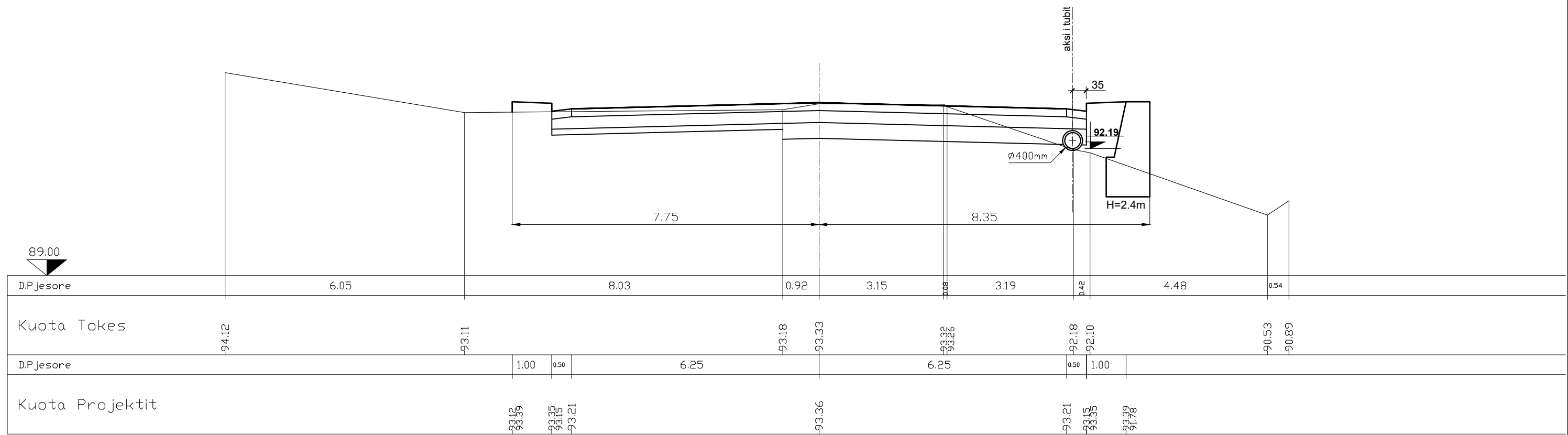
PARZ. 27.93



SEZ.NUM. 41

PROGR. 809.50

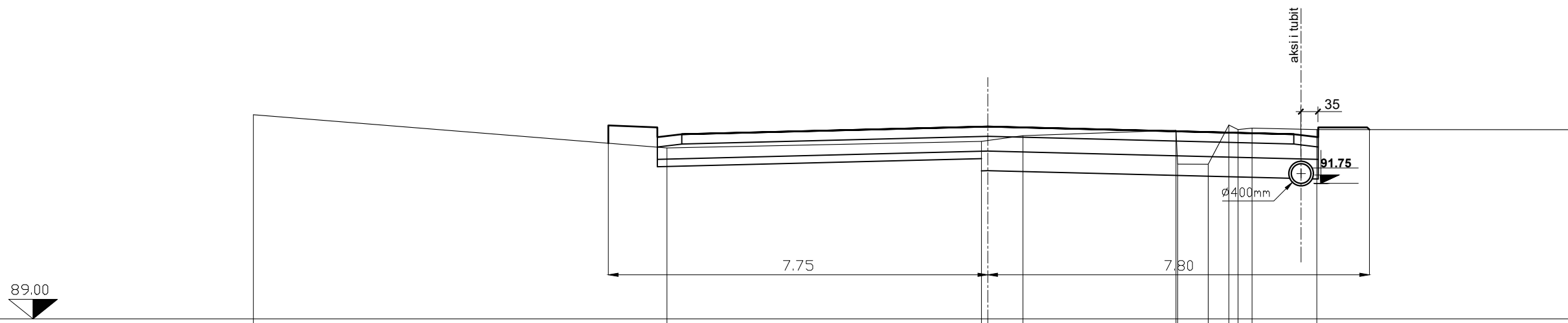
PARZ. 30.86



SEZ.NUM. 42

PROGR. 840.36

PARZ. 30.86

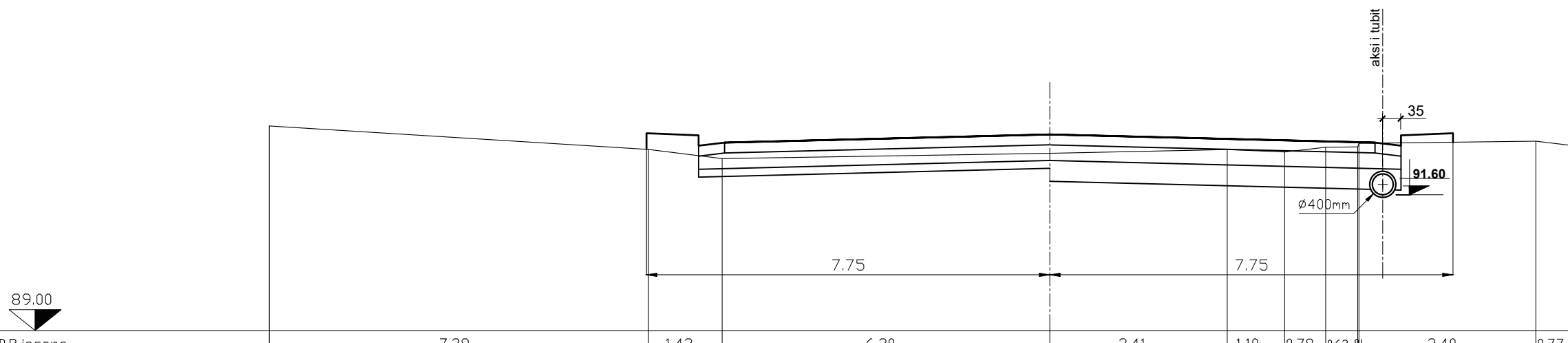


D.P.jesore		8.45		6.43	0.72	3.13	0.63	0.42	0.19	0.29	1.32	5.31	
Kuota Tokes	-93.16		-92.49		-92.62 -92.64	-92.74		-92.85 -92.16	-92.15	-92.96	-92.86	-92.86	-92.86
D.P.jesore		1.00	0.50	6.25		6.25				0.50	1.00		
Kuota Projektit		-92.58 -92.58	-92.91 -92.77		-92.92					-92.77	-92.91 -92.91	-92.91 -92.86	

SEZ.NUM. 43

PROGR. 851.48

PARZ. 11.12

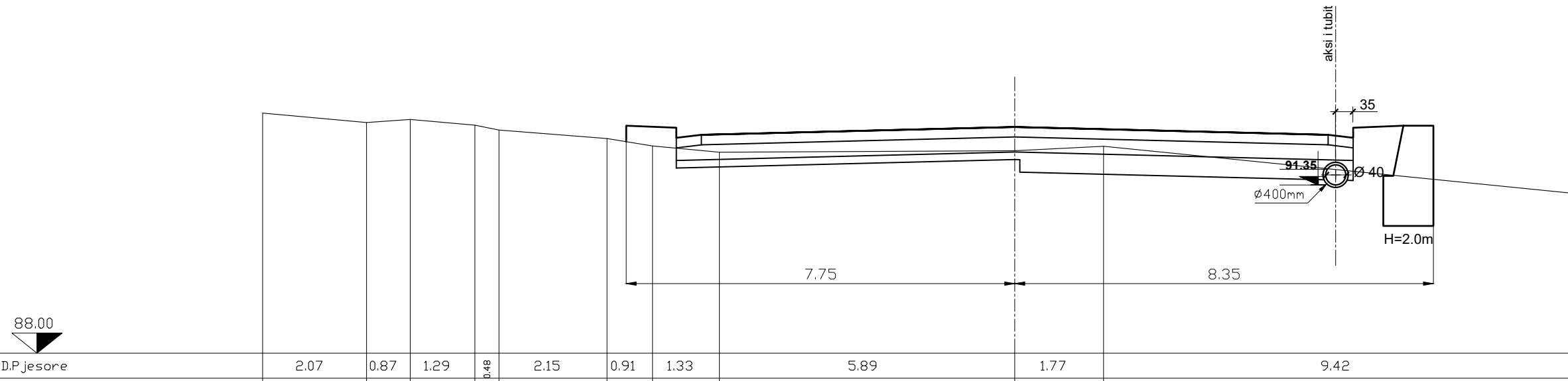


D.P.jesore		7.29	1.42	6.30	3.41	1.10	0.79	0.62	0.08	3.40	0.77	
Kuota Tokes	-92.93		-92.48		-92.40		-92.47	-92.43	-92.52	-92.53 -92.53	-92.64	-92.54
D.P.jesore		1.00	0.50	6.25		6.25				0.50	1.00	
Kuota Projektit		-92.48 -92.48	-92.75 -92.61		-92.76					-92.61	-92.55 -92.75	-92.79 -92.62

SEZ.NUM. 44

PROGR. 869.01

PARZ. 17.53



D.P.jesore	2.07	0.87	1.29	0.48	2.15	0.91	1.33	5.89	1.77	9.42
------------	------	------	------	------	------	------	------	------	------	------

Kuota Tokes	-92.79	-92.60	-92.66	-92.55	-92.45	-92.28	-92.14	-92.01	-92.04	-92.13	-91.18
-------------	--------	--------	--------	--------	--------	--------	--------	--------	--------	--------	--------

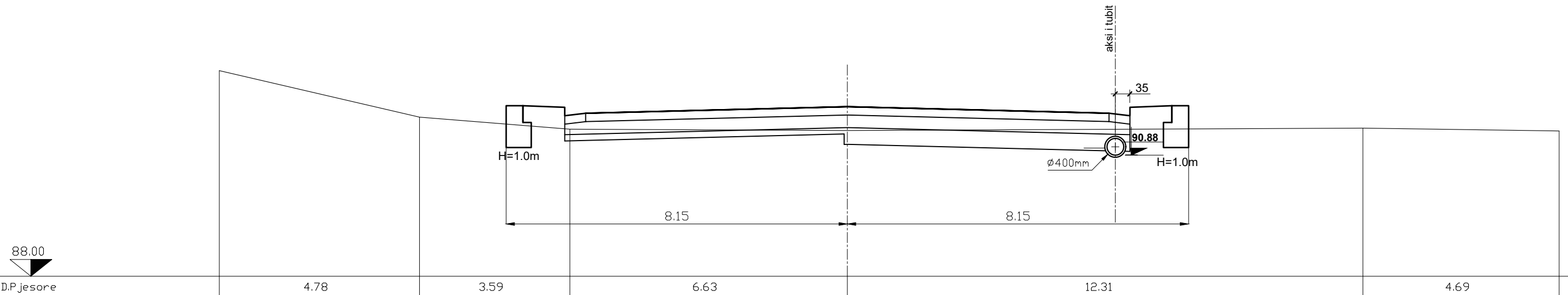
D.P.jesore						1.00	0.50	6.25	6.25	0.50	1.00
------------	--	--	--	--	--	------	------	------	------	------	------

Kuota Projektit						-92.22	-92.30	-92.36	-92.51	-92.36	-92.30	-92.54
-----------------	--	--	--	--	--	--------	--------	--------	--------	--------	--------	--------

SEZ.NUM. 45

PROGR. 901.48

PARZ. 32.47



D.P.jesore	4.78	3.59	6.63	12.31	4.69
------------	------	------	------	-------	------

Kuota Tokes	-92.91	-91.80	-91.51	-91.48	-91.54	-91.47
-------------	--------	--------	--------	--------	--------	--------

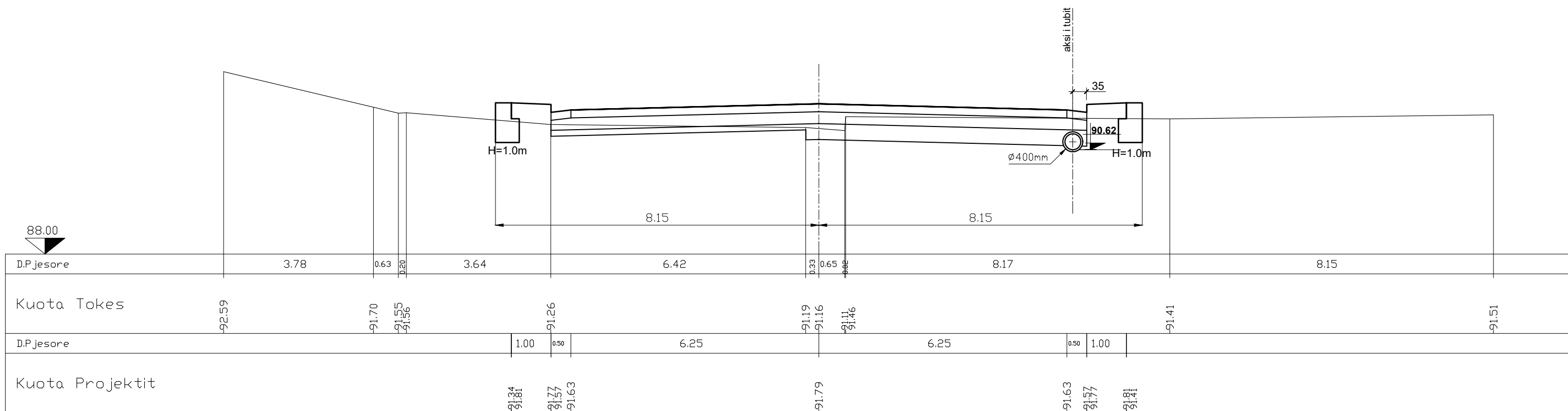
D.P.jesore			1.00	0.50	6.25	6.25	0.50	1.00
------------	--	--	------	------	------	------	------	------

Kuota Projektit			-91.60	-91.84	-91.90	-92.05	-91.89	-91.84	-91.90	-91.52
-----------------	--	--	--------	--------	--------	--------	--------	--------	--------	--------

SEZ.NUM. 46

PROGR. 920.19

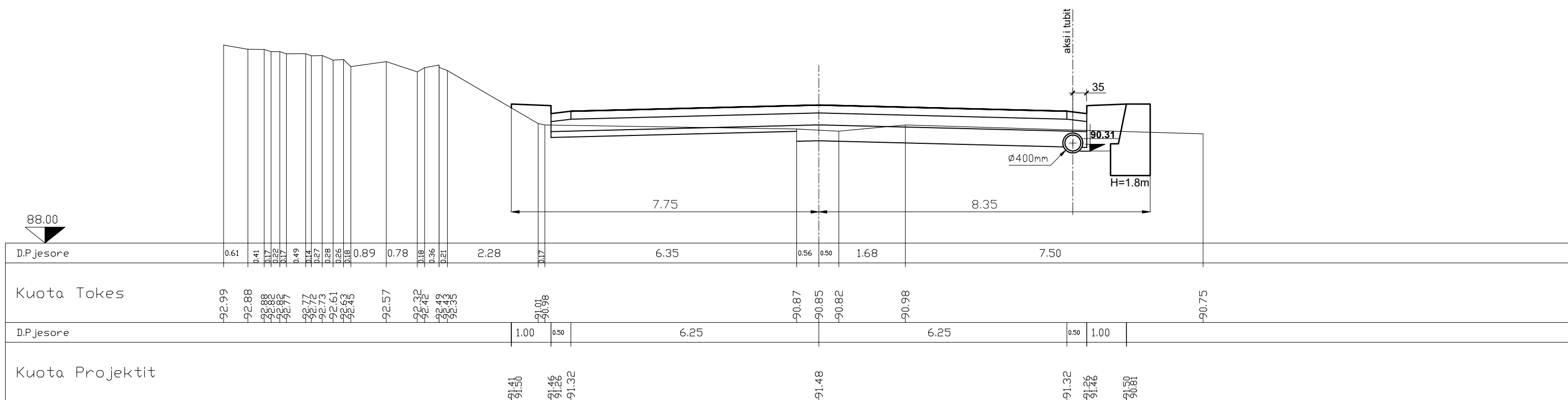
PARZ. 18.71



SEZ.NUM. 47

PROGR. 941.73

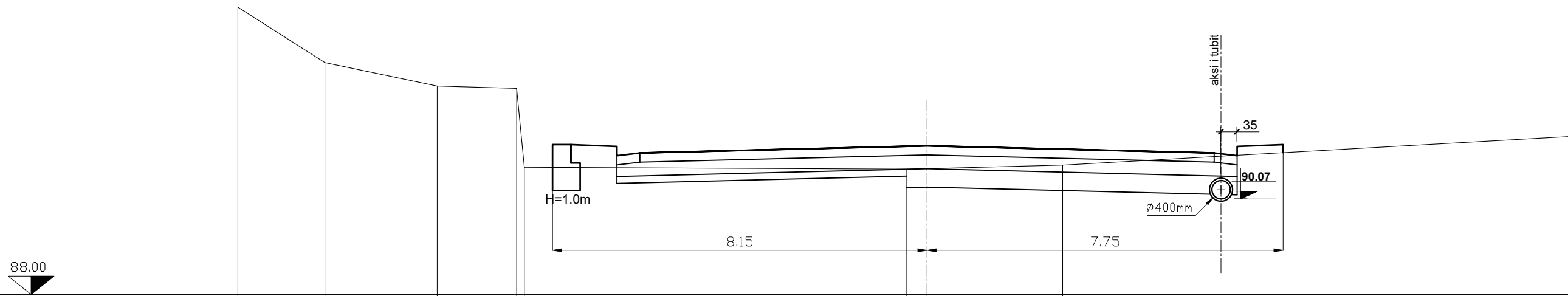
PARZ. 21.54



SEZ.NUM. 48

PROGR. 958.74

PARZ. 17.01

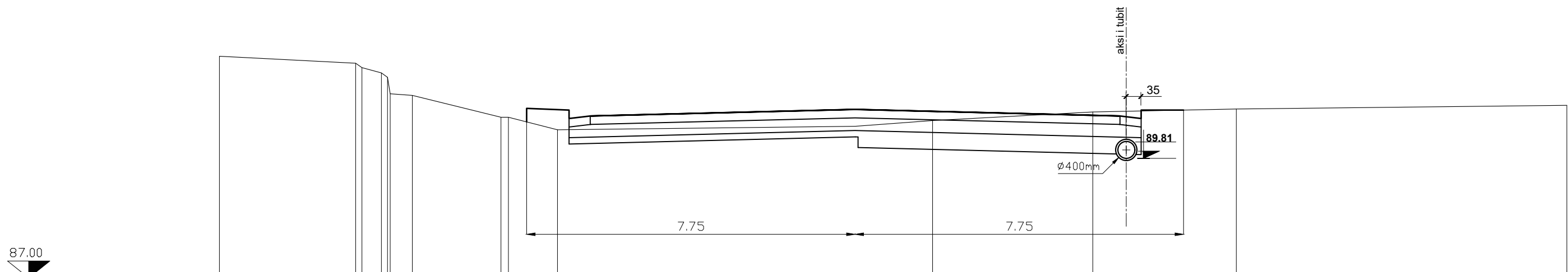


D.P.jesore	1.90	2.44	1.73	0.17	8.31	0.45	2.95	6.25	0.50	1.00	11.14
Kuota Tokes	-94.25	-93.04	-92.54	-92.49	-90.73	-90.74	-90.81	-91.08	-91.02	-91.08	-91.44
D.P.jesore					1.00	0.50	6.25	6.25	0.50	1.00	
Kuota Projektit					-90.76	-91.26	-91.02	-91.08	-91.24	-91.08	-91.08

SEZ.NUM. 49

PROGR. 976.50

PARZ. 17.76



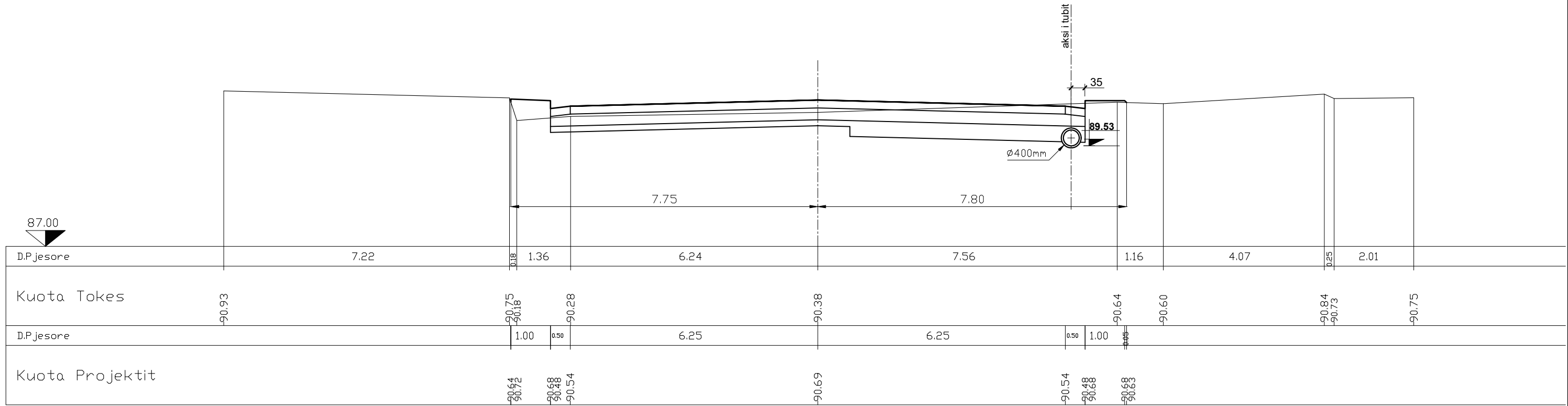
D.P.jesore	3.22	0.15	0.46	0.15	0.52	2.09	0.18	1.16	7.02	1.83	3.78	3.39	7.80
Kuota Tokes	-92.24	-91.97	-91.85	-91.74	-91.35	-91.31	-90.80	-90.50	-90.58	-90.72	-90.92	-90.99	-91.08
D.P.jesore								1.00	0.50	6.25	6.25	0.50	1.00
Kuota Projektit								-90.69	-90.98	-90.97	-90.83	-90.98	-90.97

SEZ.NUM. 50

PROGR. 999.15

PARZ. 22.65

87.00

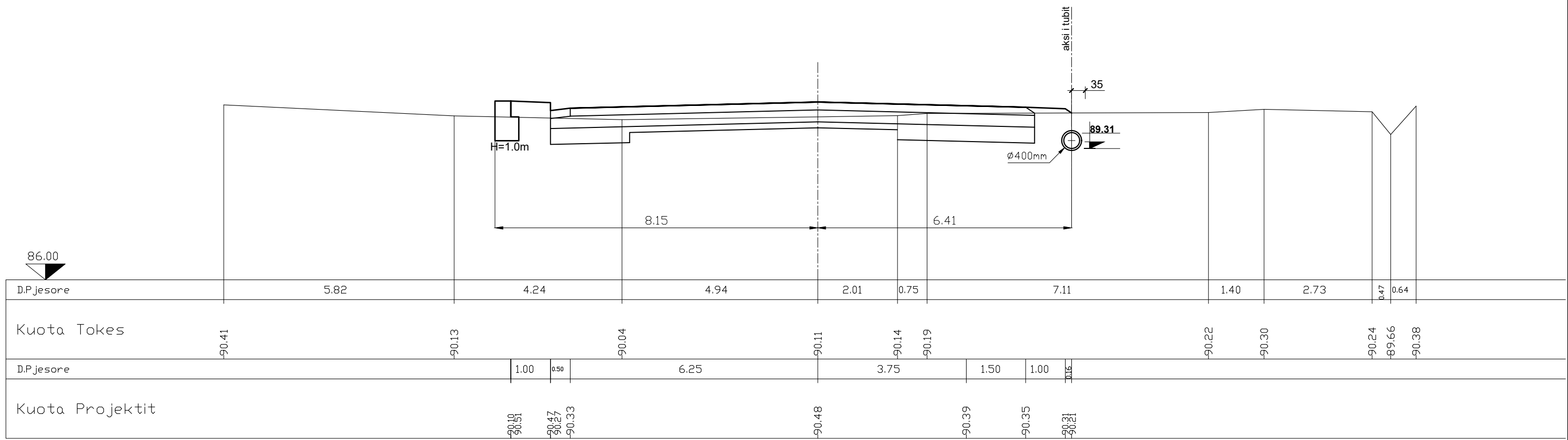


SEZ.NUM. 51

PROGR. 1025.20

PARZ. 26.05

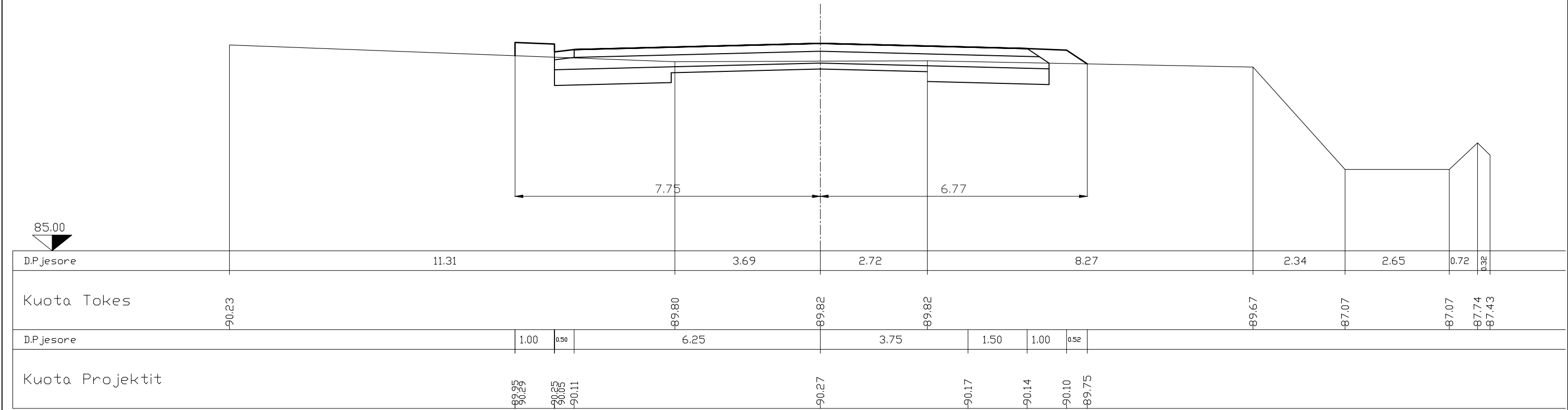
86.00



SEZ.NUM. 52

PROGR. 1056.57

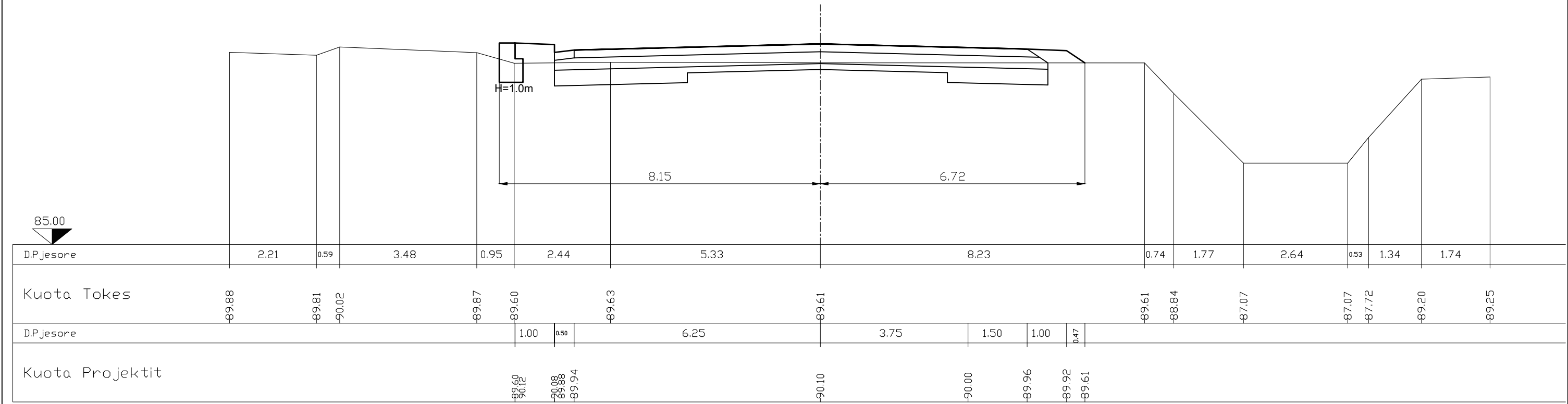
PARZ. 31.36



SEZ.NUM. 53

PROGR. 1081.47

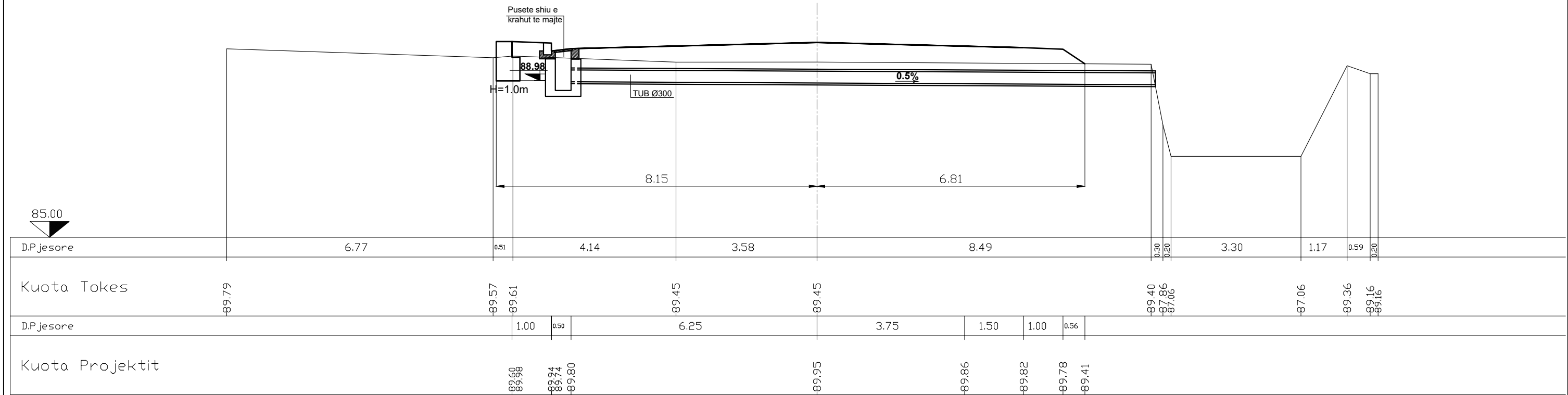
PARZ. 24.90



SEZ.NUM. 54

PROGR. 1102.36

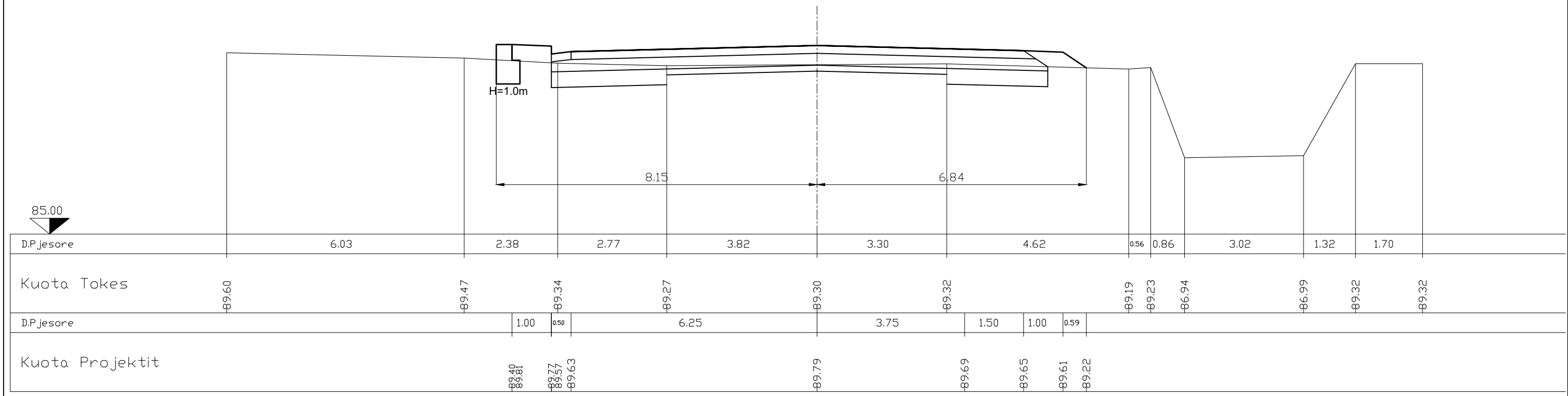
PARZ. 20.89



SEZ.NUM. 55

PROGR. 1126.50

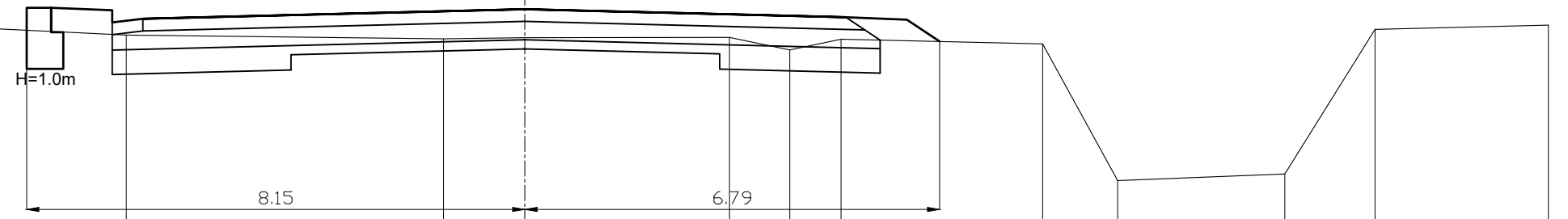
PARZ. 24.14



SEZ.NUM. 56

PROGR. 1151.50

PARZ. 25.00



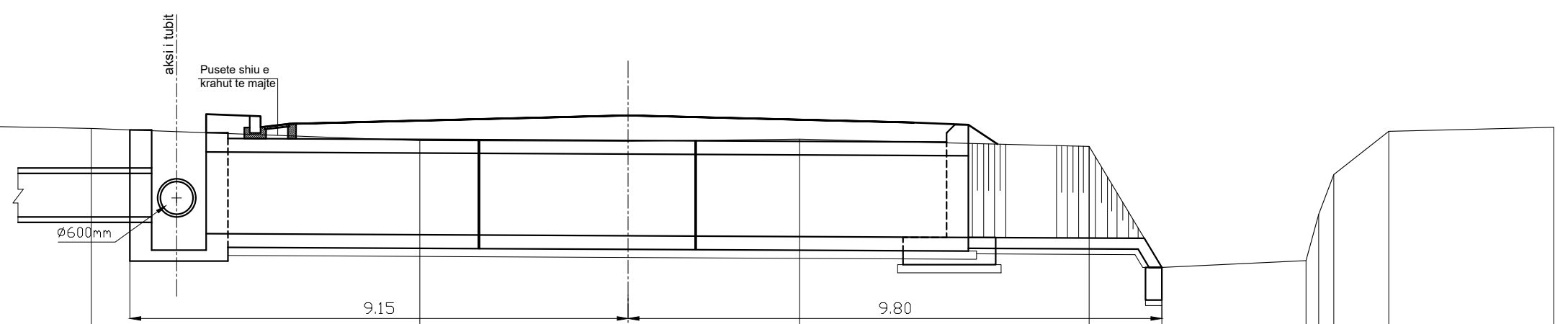
D.P.jesore		4.37	4.11	5.19	1.33	3.35	0.99	0.84	3.30	1.23	2.73	1.48	2.84	
Kuota Tokes	-89.48		-89.39	-89.19	-89.13	-89.15	-89.15	-88.95	-89.12	-89.05	-86.81	-86.92	-89.28	-89.35
D.P.jesore			1.00	0.50	6.25		3.75	1.50	1.00	0.54				
Kuota Projektit			-89.25	-89.60	-89.46	-89.61		-89.52	-89.48	-89.44	-89.09			

SEZ.NUM. 57

PROGR. 1158.78

PARZ. 7.28

TOMBINO KUTI 2.0 x 1.5m



D.P.jesore		5.14	6.03	3.83	3.15	5.32	1.34	2.65	0.23	0.28	1.01	3.03	
Kuota Tokes	-89.43		-89.32	-89.10	-89.09	-89.13	-89.00	-86.77	-86.90	-87.75	-88.48	-89.27	-89.35
D.P.jesore			1.00	0.50	6.25		3.75	1.50	1.00	0.53			
Kuota Projektit			-89.35	-89.55	-89.41	-89.56		-89.47	-89.43	-89.39	-89.04		

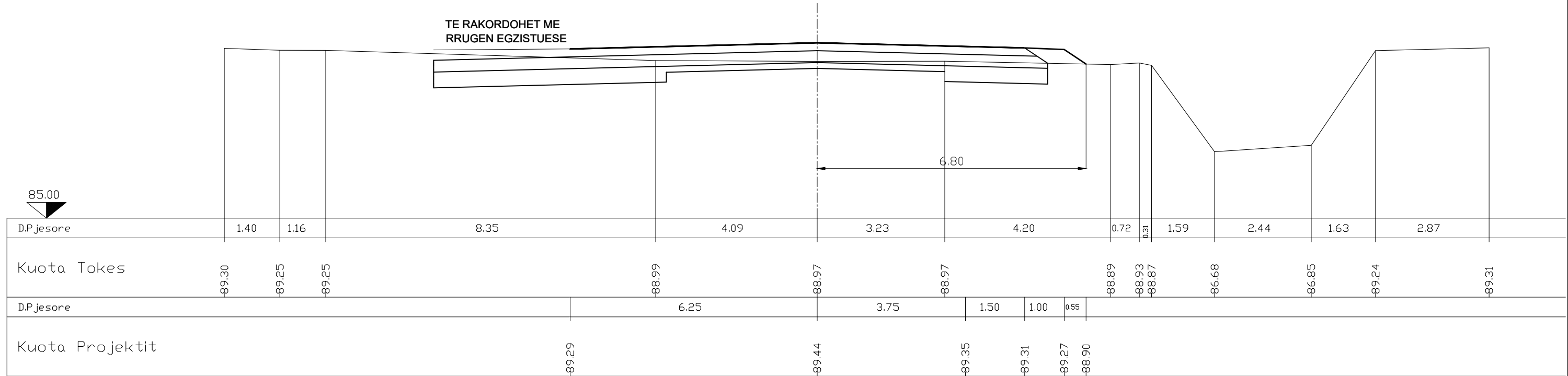
SEZ.NUM. 58

PROGR. 1176.50

PARZ. 17.72

TE RAKORDOHET ME
RRUGEN EGZISTUESE

85.00

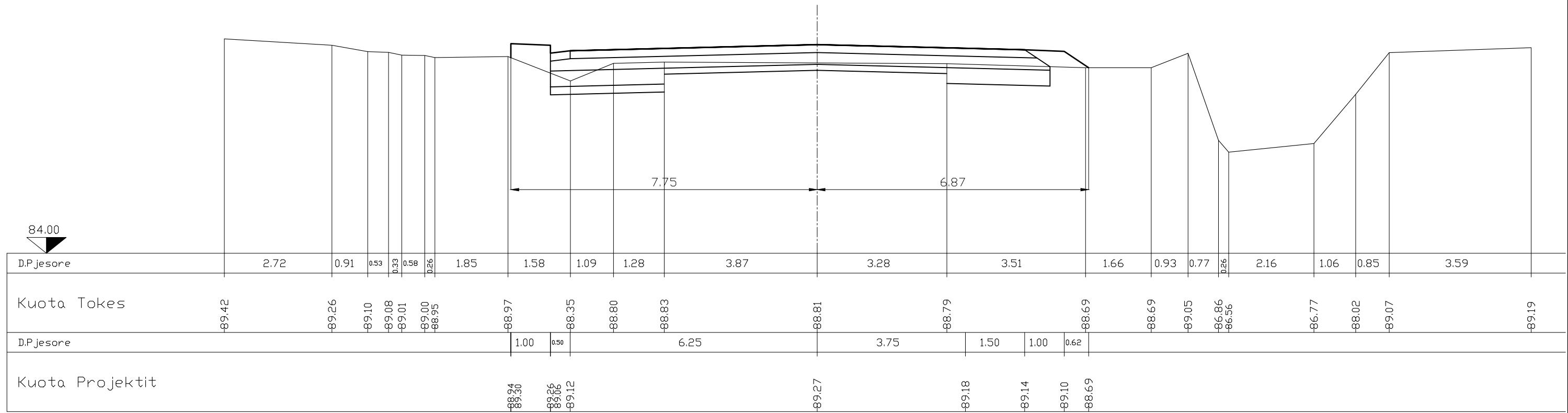


SEZ.NUM. 59

PROGR. 1201.50

PARZ. 25.00

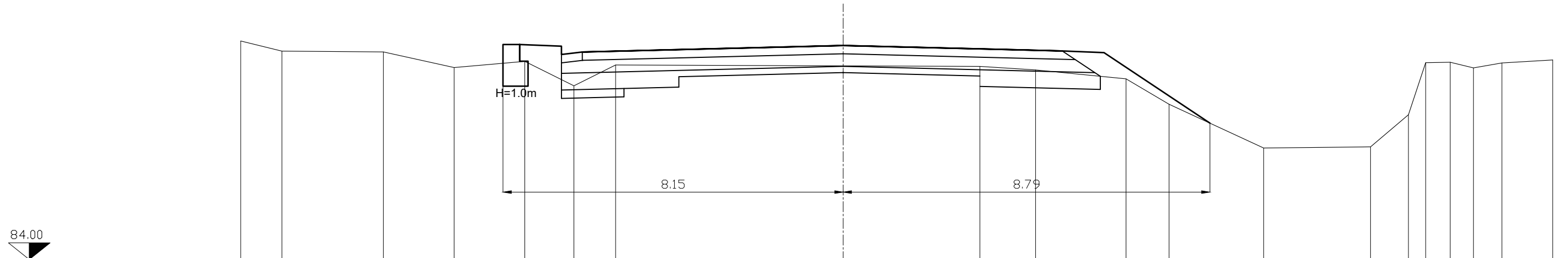
84.00



SEZ.NUM. 60

PROGR. 1226.50

PARZ. 25.00

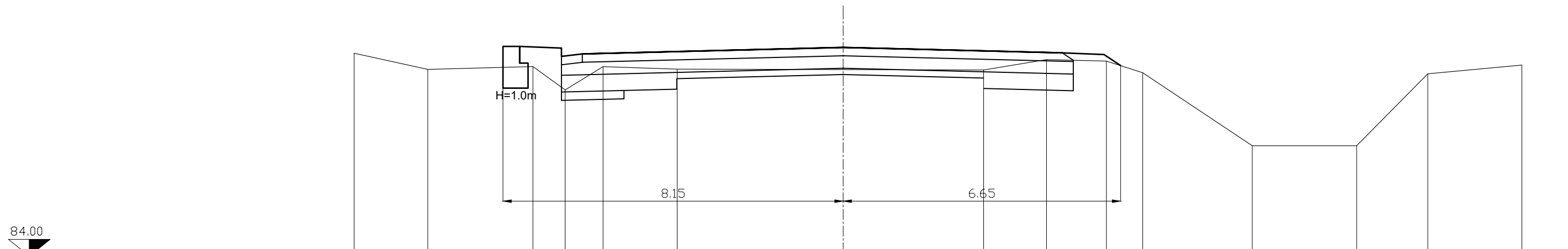


D.P.jesore	0.99	2.43	1.69	1.69	1.18	1.00	5.45	3.28	1.34	2.17	1.03	2.27	2.56	0.91	0.41	0.59	0.56	0.68	1.22	
Kuota Tokes	-89.24	-89.00	-88.98	-88.61	-88.75	-88.17	-88.67	-88.65	-88.63	-88.55	-88.33	-87.72	-86.68	-86.70	-87.47	-88.72	-88.73	-88.60	-88.72	-88.79
D.P.jesore					1.00	0.50	6.25	3.75	1.50	1.00	2.54									
Kuota Projektit					-88.74	-88.16	-88.98	-89.13	-89.04	-89.00	-88.96	-87.27								

SEZ.NUM. 61

PROGR. 1251.50

PARZ. 25.00

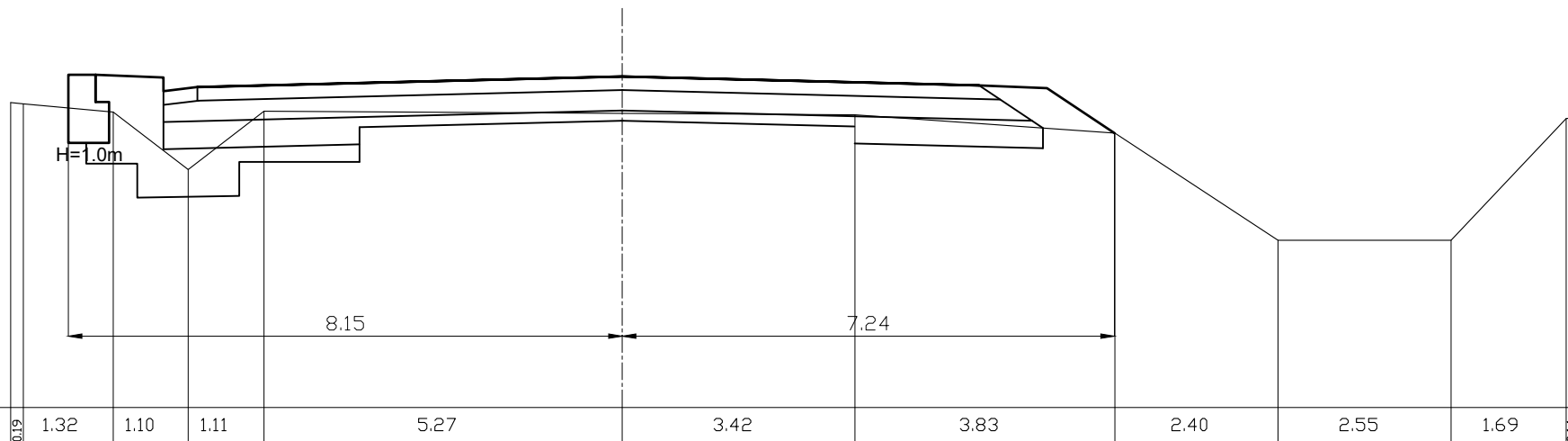


D.P.jesore	1.76	2.52	0.77	0.91	1.78	3.98	3.37	1.51	1.43	0.87	2.62	2.50	1.70	2.25	
Kuota Tokes	-88.86	-88.47	-88.54	-87.98	-88.54	-88.48	-88.47	-88.46	-88.71	-88.67	-88.39	-86.64	-86.64	-88.37	-88.58
D.P.jesore			1.00	0.50	6.25	3.75	1.50	1.00	0.40						
Kuota Projektit			-88.52	-88.98	-88.84	-89.00	-88.91	-88.87	-88.83	-88.56					

SEZ.NUM. 62

PROGR. 1276.50

PARZ. 25.00



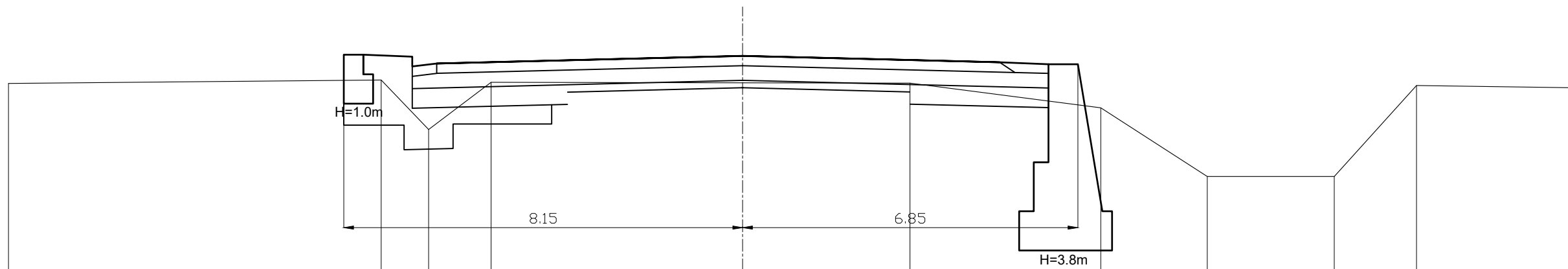
84.00

D.P.Jesore	0.19	1.32	1.10	1.11	5.27	3.42	3.83	2.40	2.55	1.69	0.14
Kuota Tokes	-88.48 -88.46	-88.34	-87.50	-88.36		-88.32	-88.30	-88.03	-86.46	-86.46	-88.25 -88.23
D.P.Jesore		1.00	0.50	6.25	3.75	1.50	1.00	0.99			
Kuota Projektit		-88.37 -88.35	-88.85 -88.71			-88.86	-88.77 -88.73	-88.69 -88.03			

SEZ.NUM. 63

PROGR. 1301.50

PARZ. 25.00



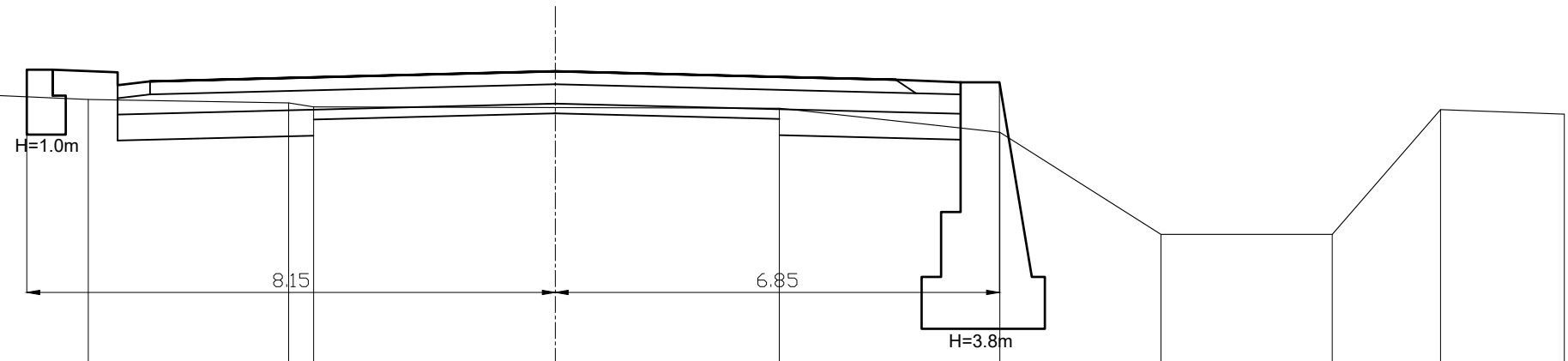
84.00

D.P.Jesore	7.61	0.97	1.28	5.14	3.42	3.90	2.18	2.60	1.68	3.27	
Kuota Tokes	-88.17	-88.24	-87.23	-88.19	-88.18	-88.18	-87.67	-86.27	-86.27	-88.13	-88.08
D.P.Jesore		1.00	0.50	6.25	3.75	1.50	1.00				
Kuota Projektit		-88.73 -88.71	-88.71 -88.57		-88.73	-88.64 -88.60	-88.56				

SEZ.NUM. 64

PROGR. 1326.50

PARZ. 25.00

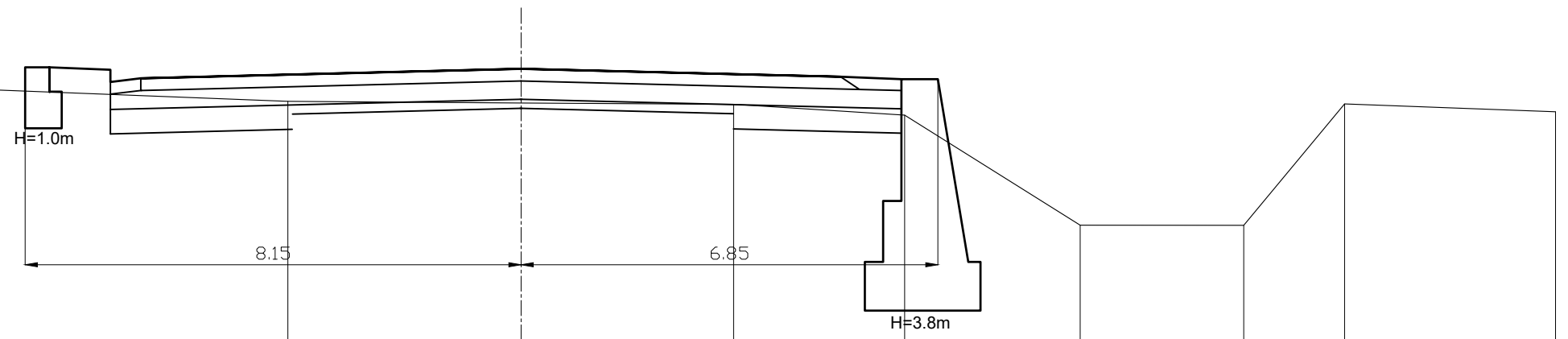


D.P.Jesore		5.48	2.32	3.09	0.38	3.73	3.45	3.40	2.49	2.64	1.67	1.91	
Kuota Tokes	-88.23		-88.26	-88.16	-88.11	-88.05	-88.04	-88.03	-87.65	-86.08	-86.08	-88.00	-87.93
D.P.Jesore				1.00	0.50	6.25	3.75	1.50	1.00				
Kuota Projektit				-88.18	-88.62	-88.58	-88.44	-88.60	-88.50	-88.46	-88.42		

SEZ.NUM. 65

PROGR. 1351.50

PARZ. 25.00



D.P.Jesore		2.16	0.49	0.36	2.12	6.04	3.83	3.49	2.81	2.88	2.69	1.66	3.47
Kuota Tokes	-88.11	-88.09	-88.33	-88.60	-88.16	-87.93	-87.90	-87.88	-87.70	-85.89	-85.89	-87.88	-87.76
D.P.Jesore						1.00	0.50	6.25	3.75	1.50	1.00		
Kuota Projektit						-88.08	-88.44	-88.24	-88.30	-88.46	-88.37	-88.33	-88.29

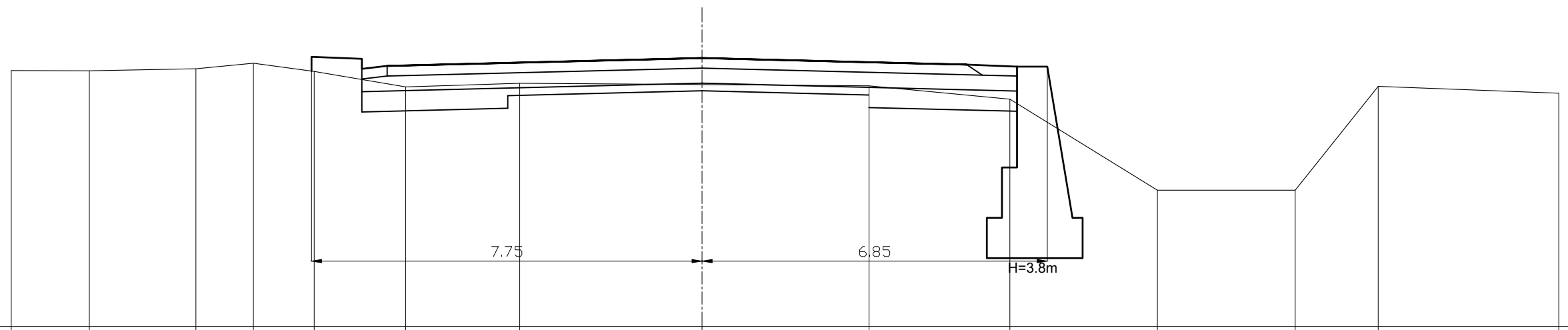
SEZ.NUM. 66

PROGR. 1376.50

PARZ. 25.00

83.00

D.P.jesore



D.P.jesore	1.55	2.11	1.14	1.21	1.82	2.26	3.62	3.31	2.79	2.93	2.74	1.64	3.59
------------	------	------	------	------	------	------	------	------	------	------	------	------	------

Kuota Tokes

Kuota Tokes	-88.08	-88.07	-88.11	-88.22	-88.06	-87.75	-87.82	-87.80	-87.77	-87.51	-85.70	-85.70	-87.76	-87.63
-------------	--------	--------	--------	--------	--------	--------	--------	--------	--------	--------	--------	--------	--------	--------

D.P.jesore

Kuota Projektit

D.P.jesore					1.00	0.50	6.25		3.75	1.50	1.00		
Kuota Projektit					-88.97	-88.31	-88.17	-88.32	-88.23	-88.19	-88.15		

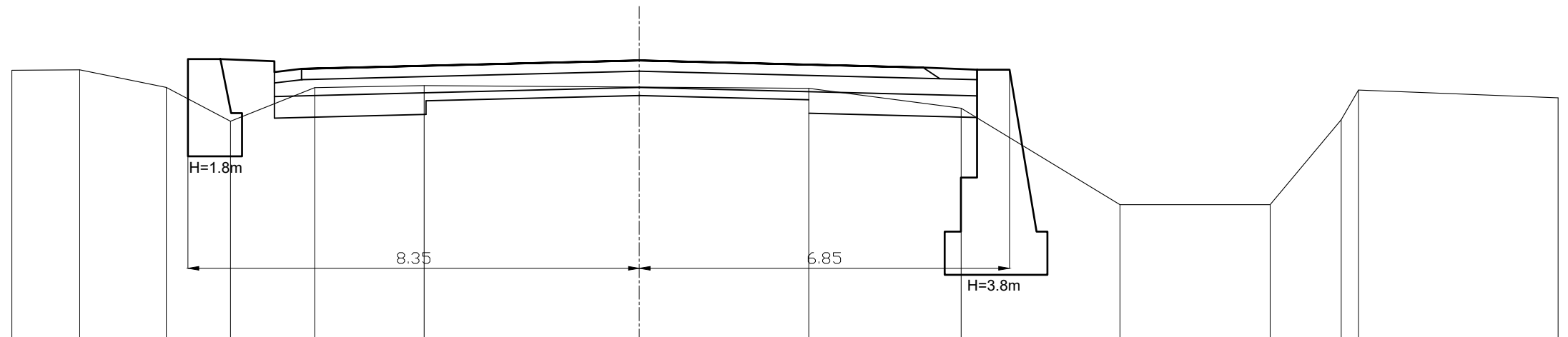
SEZ.NUM. 67

PROGR. 1399.71

PARZ. 23.21

83.00

D.P.jesore



D.P.jesore	1.26	1.60	1.19	1.56	2.02	3.98	3.14	2.82	2.94	2.78	1.32	0.32	3.69
------------	------	------	------	------	------	------	------	------	------	------	------	------	------

Kuota Tokes

Kuota Tokes	-88.02	-88.03	-87.70	-87.07	-87.70	-87.73	-87.71	-87.68	-87.32	-85.53	-85.53	-87.10	-87.65	-87.51
-------------	--------	--------	--------	--------	--------	--------	--------	--------	--------	--------	--------	--------	--------	--------

D.P.jesore

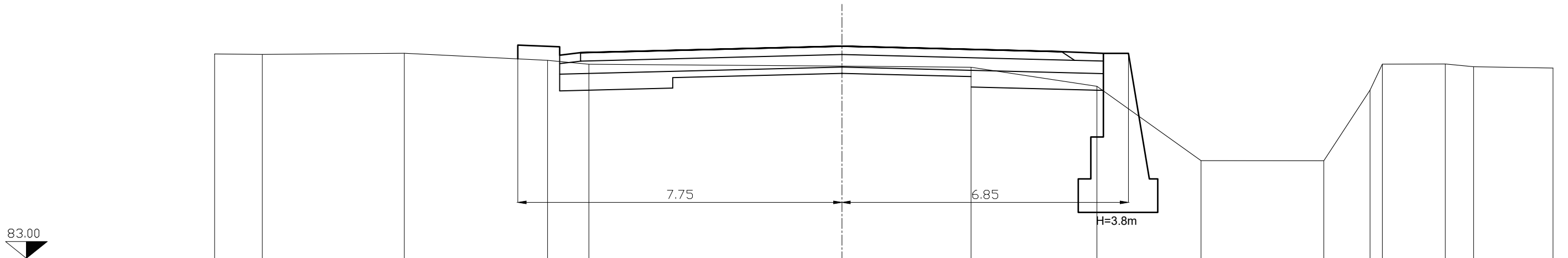
Kuota Projektit

D.P.jesore					1.00	0.50	6.25		3.75	1.50	1.00		
Kuota Projektit					-87.47	-88.22	-87.98	-88.04	-88.20	-88.11	-88.07	-88.03	

SEZ.NUM. 68

PROGR. 1424.08

PARZ. 24.37

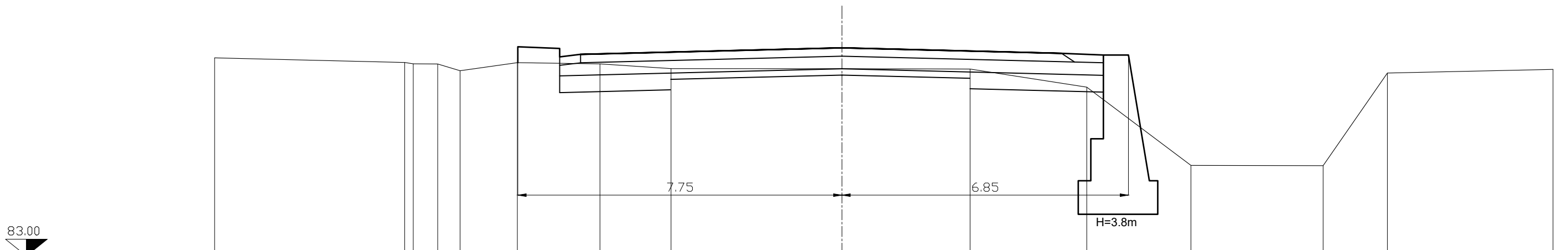


D.P.jesore	1.14	3.40	3.42	0.99	6.05	3.09	3.01	2.49	2.93	1.11	0.29	1.50	0.68	1.90	
Kuota Tokes	-87.88	-87.87	-87.90	-87.73	-87.64	-87.59	-87.57	-87.11	-85.33	-85.33	-87.02	-87.64	-87.64	-87.58	-87.54
D.P.jesore				1.00	0.50	6.25	3.75	1.50	1.00						
Kuota Projektit				-88.05	-87.85	-87.91	-88.07	-87.97	-87.94	-87.90					

SEZ.NUM. 69

PROGR. 1443.24

PARZ. 19.16

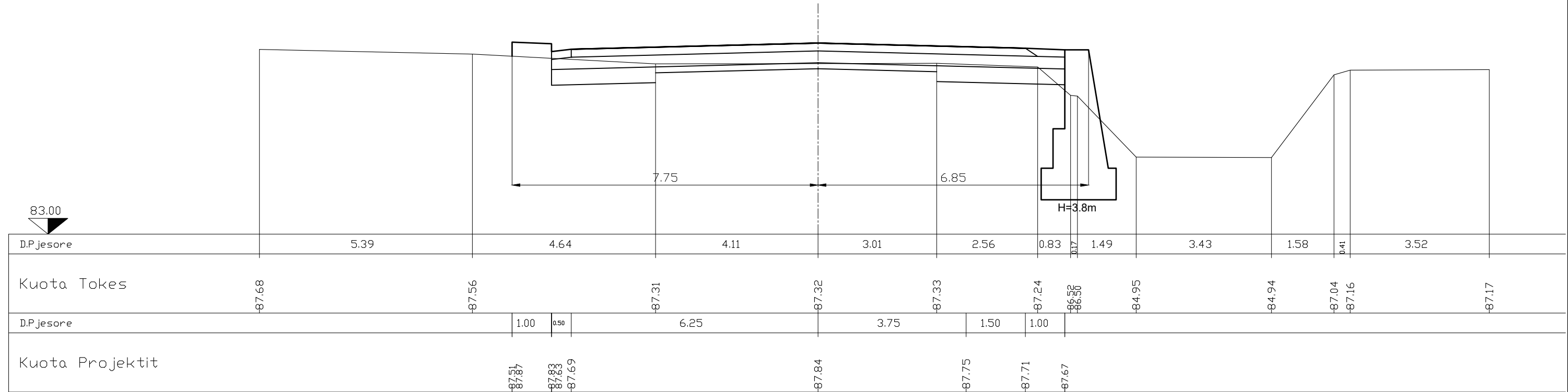


D.P.jesore	4.55	0.20	0.59	0.54	1.37	1.97	1.70	4.09	3.06	2.79	2.49	3.16	1.54	3.96	
Kuota Tokes	-87.73	-87.62	-87.58	-87.58	-87.42	-87.61	-87.58	-87.47	-87.47	-87.46	-87.03	-85.16	-85.15	-87.36	-87.45
D.P.jesore						1.00	0.50	6.25	3.75	1.50	1.00				
Kuota Projektit						-87.65	-87.75	-87.81	-87.97	-87.87	-87.83	-87.79			

SEZ.NUM. 70

PROGR. 1466.10

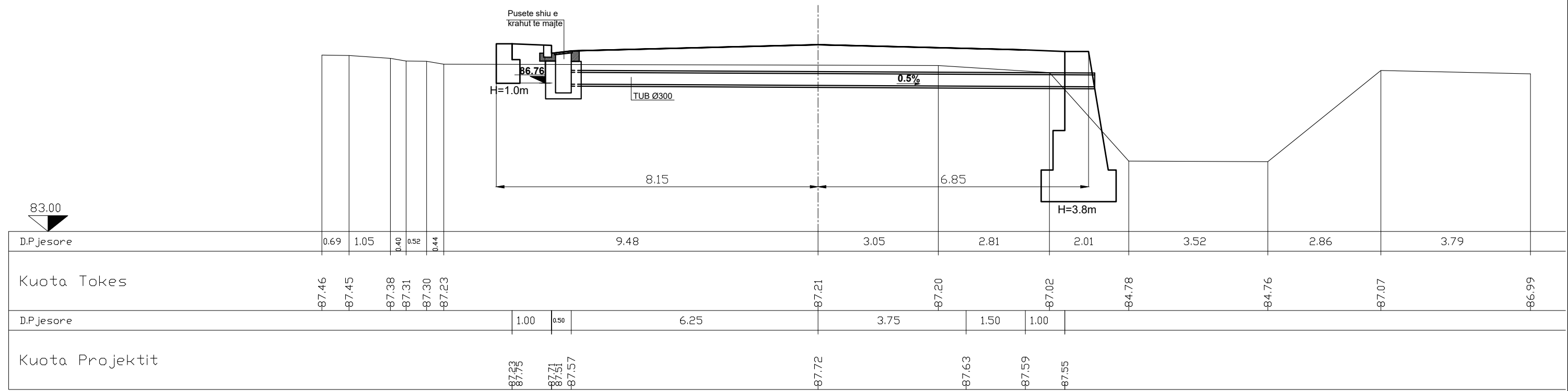
PARZ. 22.86



SEZ.NUM. 71

PROGR. 1487.94

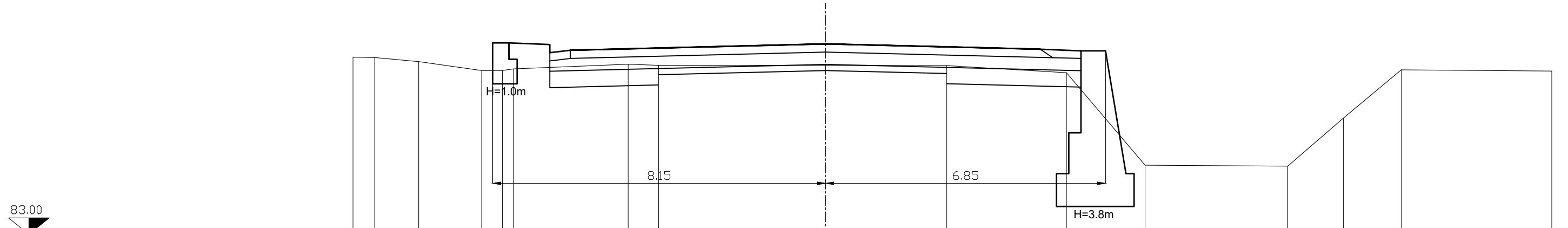
PARZ. 21.83



SEZ.NUM. 72

PROGR. 1501.50

PARZ. 13.56

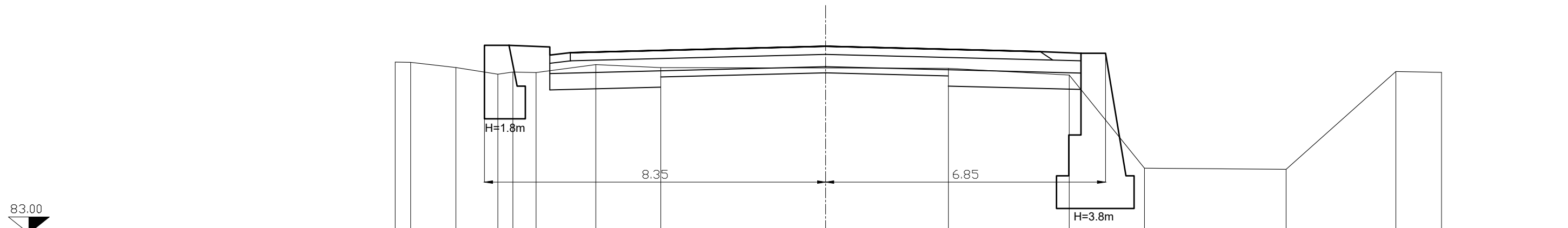


D.Pjesore	0.53	1.08	1.54	0.51	0.27	2.80	0.74	4.09	2.96	2.93	1.92	3.49	1.36	1.41	3.68	
Kuota Tokes	-87.33	-87.32	-87.22	-87.00	-87.00	-87.04	-87.15	-87.13	-87.12	-87.12	-86.95	-84.69	-84.67	-85.84	-87.02	-86.99
D.Pjesore				1.00	0.50	6.25		3.75	1.50	1.00						
Kuota Projektit				-87.05	-87.67	-87.43	-87.49	-87.65	-87.56	-87.52	-87.48					

SEZ.NUM. 73

PROGR. 1515.06

PARZ. 13.56



D.Pjesore	0.38	1.11	1.03	0.37	0.57	1.46	1.59	4.03	3.00	2.96	1.84	3.47	2.69	1.12	
Kuota Tokes	-87.19	-87.18	-87.06	-86.89	-86.95	-86.93	-87.13	-87.06	-87.05	-87.04	-86.87	-84.59	-84.57	-86.96	-86.94
D.Pjesore				1.00	0.50	6.25		3.75	1.50	1.00					
Kuota Projektit				-86.93	-87.60	-87.36	-87.42	-87.58	-87.48	-87.45	-87.41				

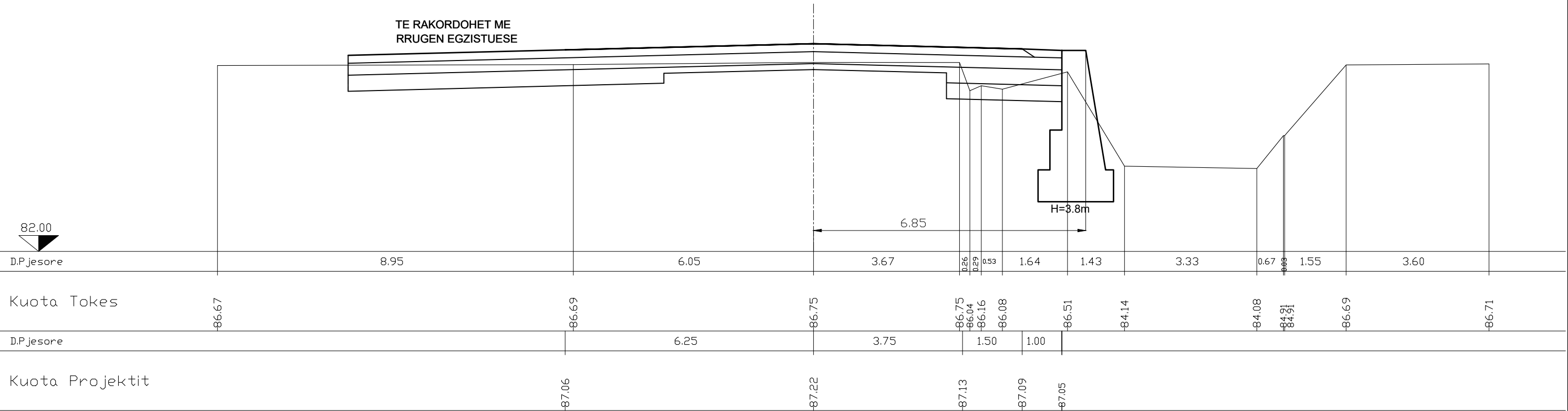
SEZ.NUM. 76

PROGR. 1581.42

PARZ. 21.10

TE RAKORDOHET ME
RRUGEN EGZISTUESE

82.00

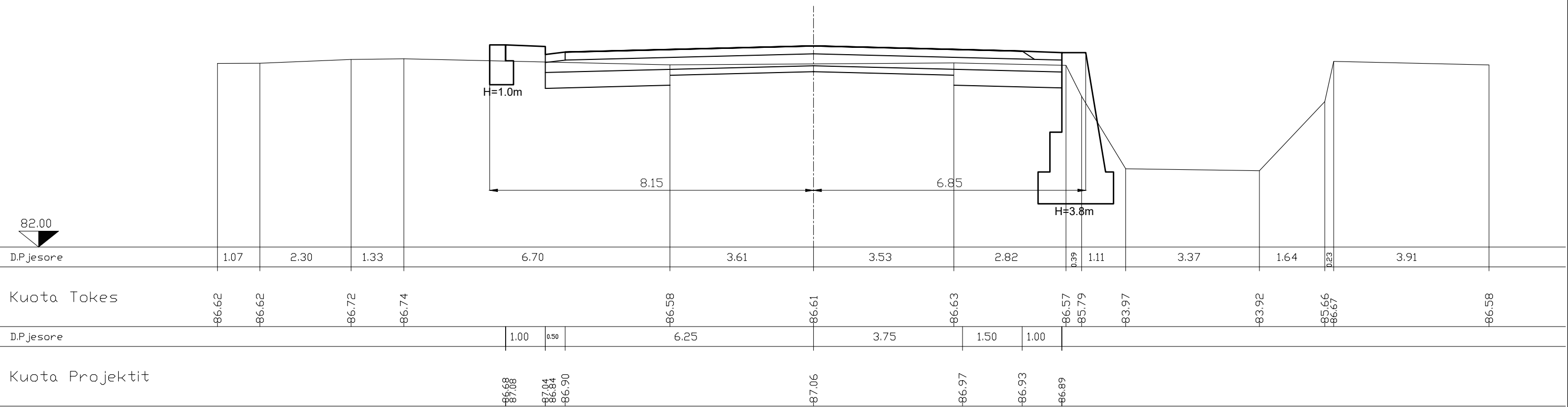


SEZ.NUM. 77

PROGR. 1611.13

PARZ. 29.71

82.00



SEZ.NUM. 78

PROGR. 1633.69

PARZ. 22.57

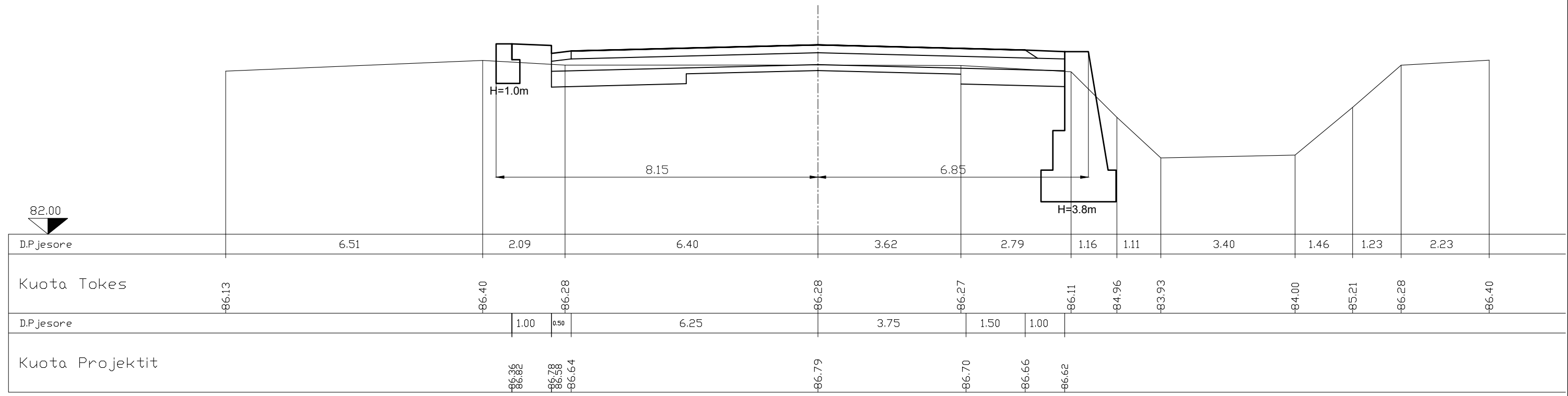
TOMBINO KUTI 2.0 x 1.5m



SEZ.NUM. 79

PROGR. 1660.32

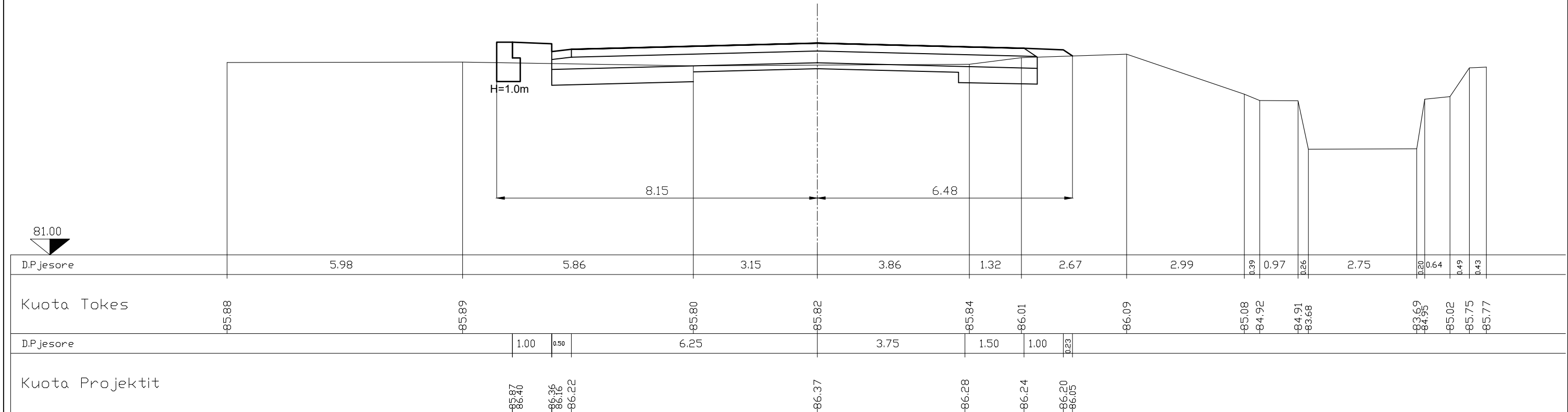
PARZ. 26.63



SEZ.NUM. 82

PROGR. 1737.98

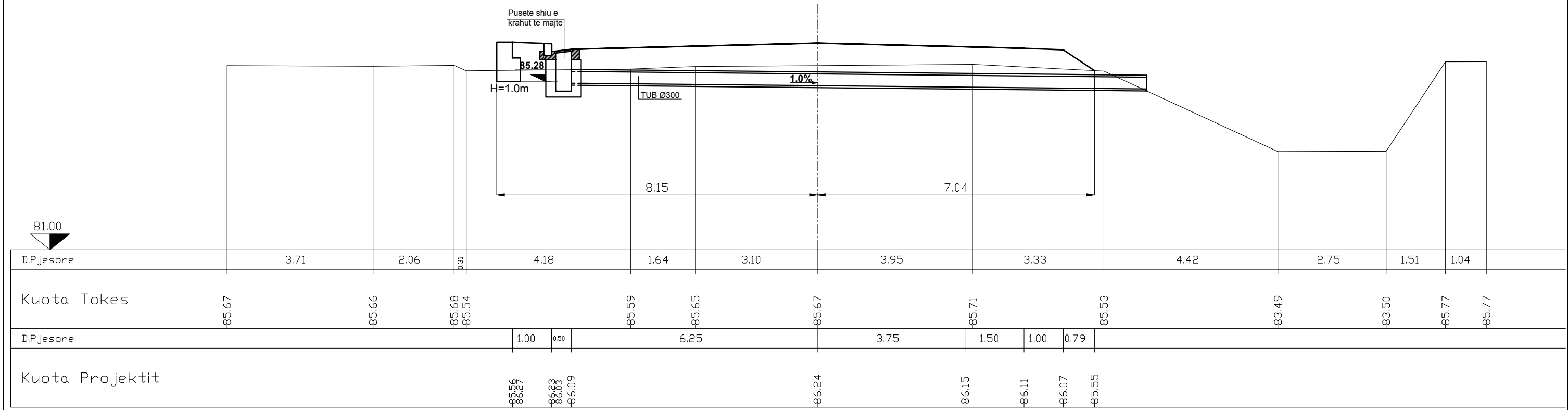
PARZ. 33.95



SEZ.NUM. 83

PROGR. 1762.09

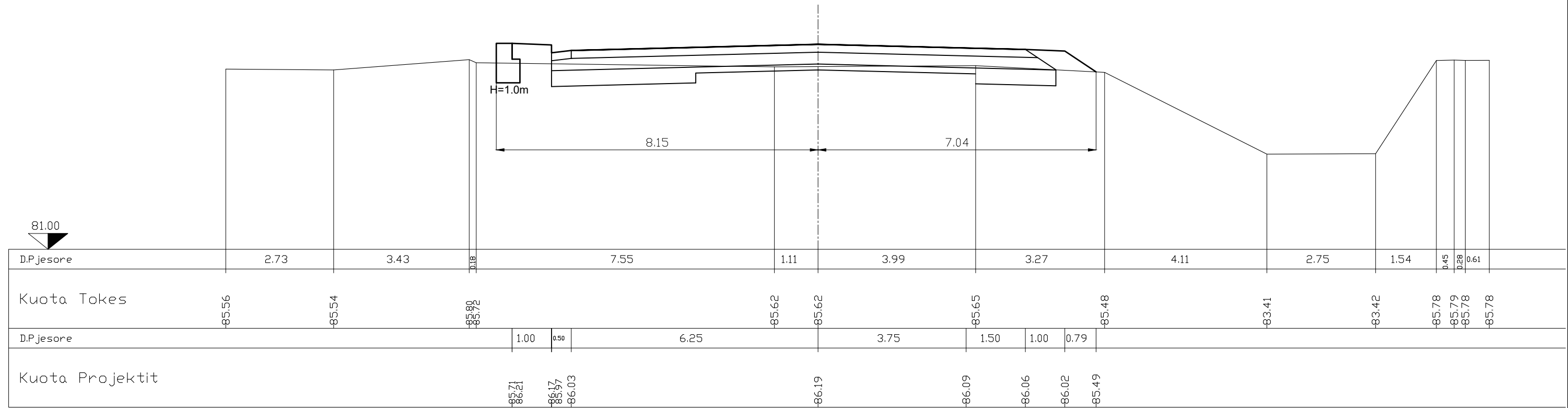
PARZ. 24.11



SEZ.NUM. 84

PROGR. 1772.44

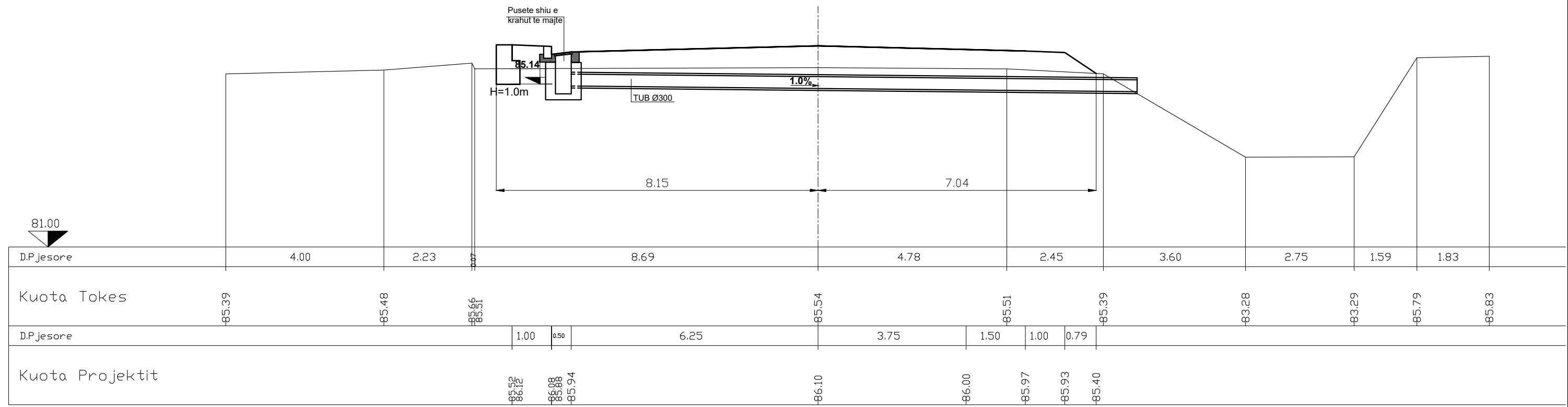
PARZ. 10.35



SEZ.NUM. 85

PROGR. 1789.28

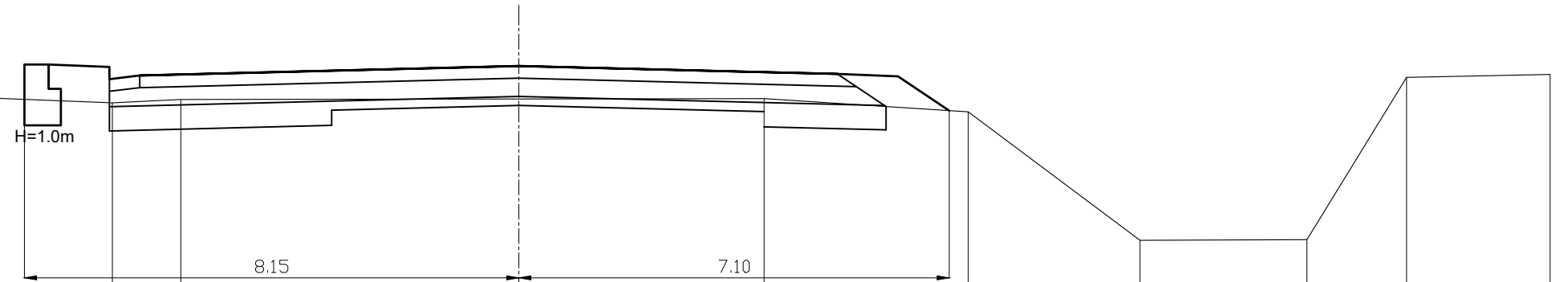
PARZ. 16.84



SEZ.NUM. 86

PROGR. 1807.51

PARZ. 18.23



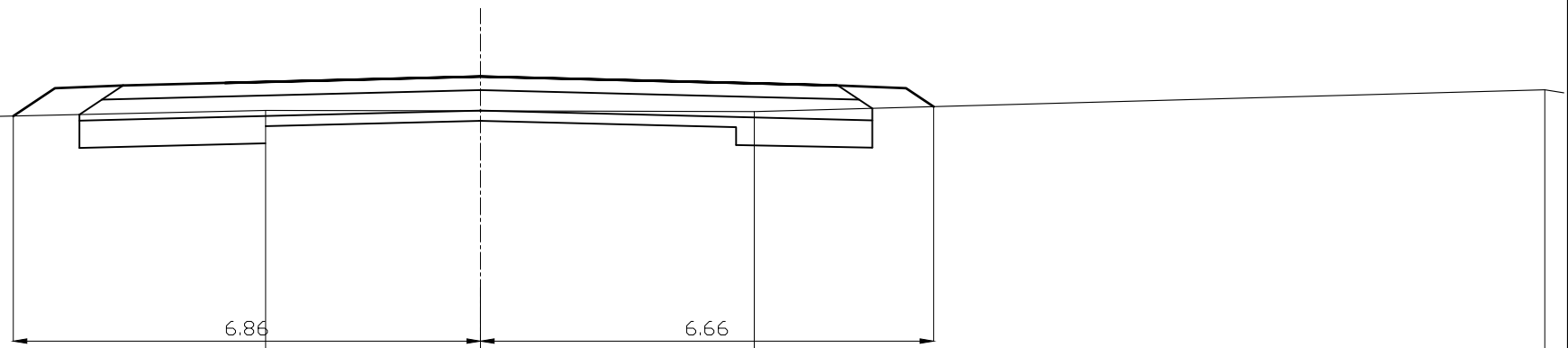
74.00

D.Pjesore		5.78	2.52	1.13	5.57	4.04	3.37	2.83	2.75	1.64	2.37	
Kuota Tokes	-85.39		-85.49	-85.39	-85.45	-85.46	-85.46	-85.25	-83.13	-83.14	-85.81	-85.86
D.Pjesore			1.00	0.50	6.25	3.75	1.50	1.00	0.85			
Kuota Projektit			-85.62	-85.98	-85.84	-86.00	-85.91	-85.87	-85.83	-85.27		

SEZ.NUM. 87

PROGR. 1841.30

PARZ. 33.79



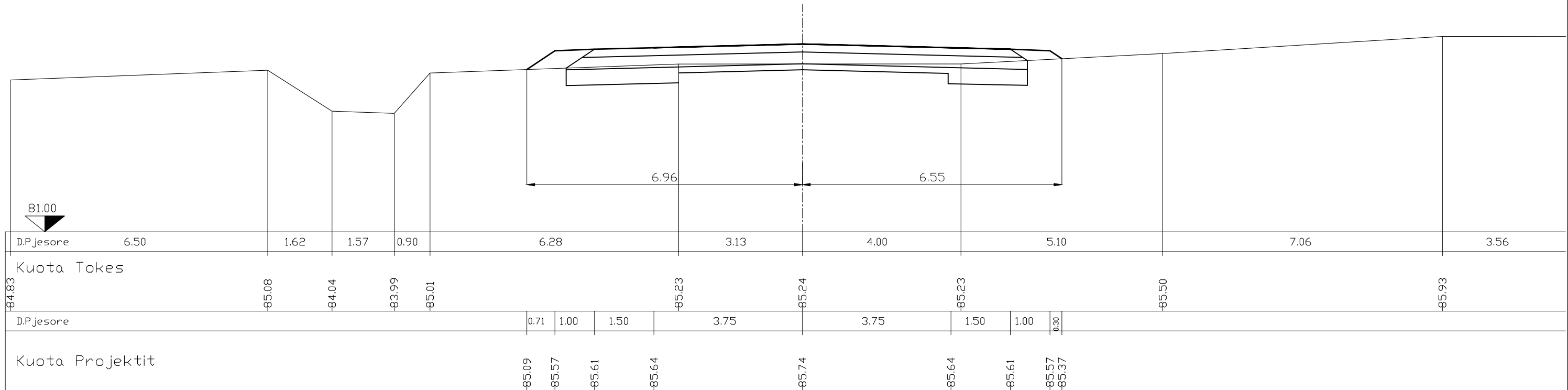
81.00

D.Pjesore	1.87	2.18	1.85	0.53	3.16	0.79	6.31	3.16	4.02		11.61	0.5			
Kuota Tokes	-84.88	-84.84	-85.09	-84.29	-84.34	-84.95	-84.21	-85.17	-85.31	-85.30	-85.29	-85.61			
D.Pjesore							0.61	1.00	1.50	3.75	3.75	1.50	1.00	0.41	
Kuota Projektit							-85.23	-85.64	-85.68	-85.71	-85.81	-85.71	-85.68	-85.64	-85.36

SEZ.NUM. 88

PROGR. 1852.66

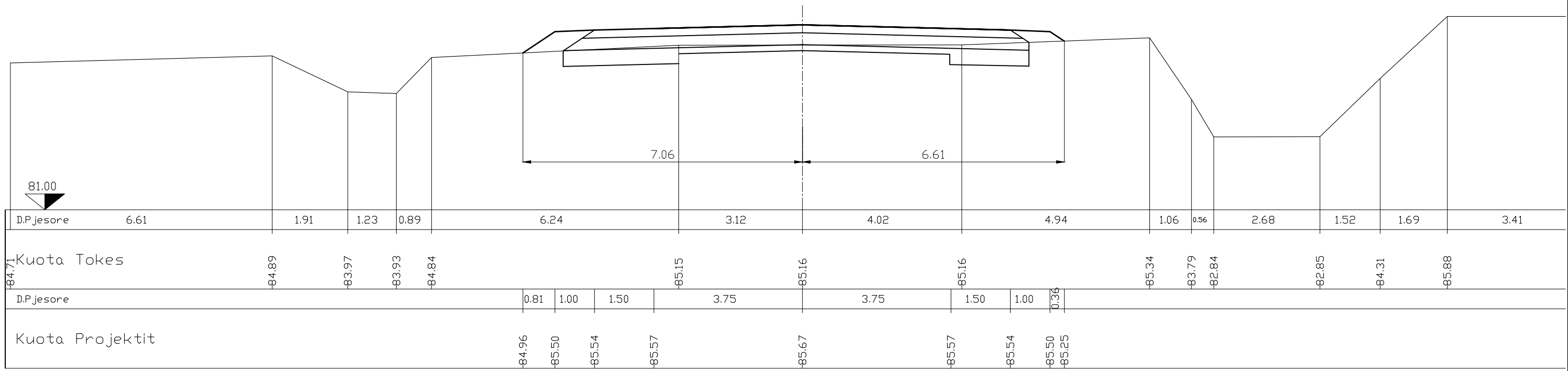
PARZ. 11.36



SEZ.NUM. 89

PROGR. 1864.02

PARZ. 11.36



PROFIL TERTHOR TIP

