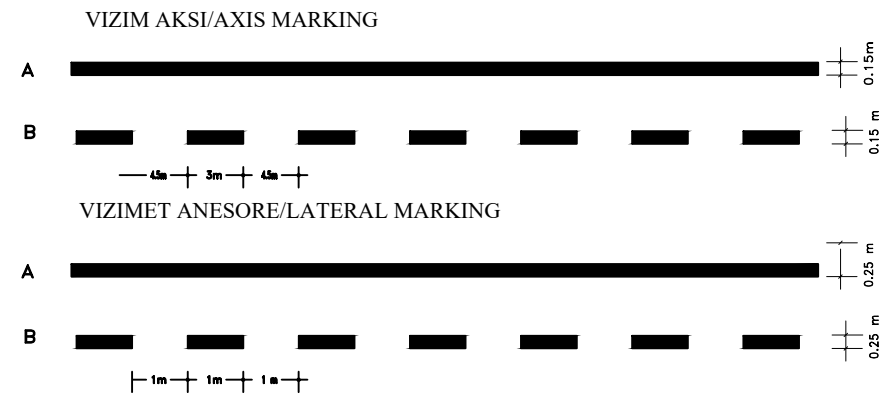


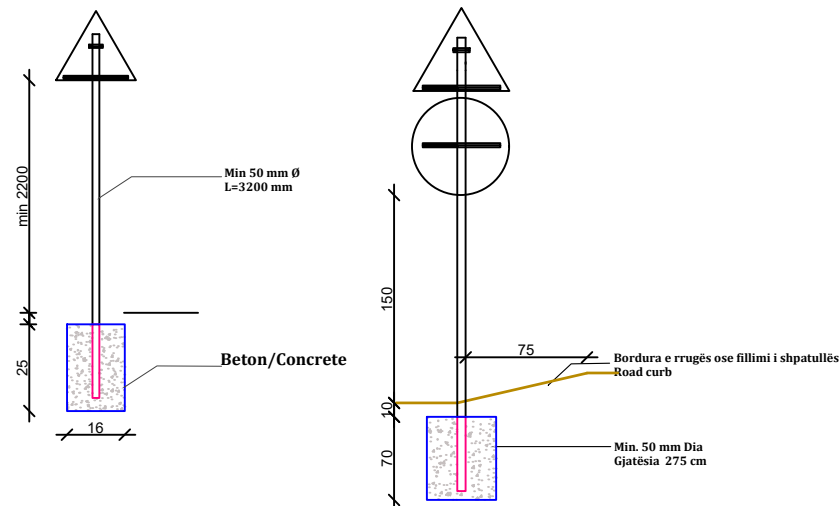
## SHENJA LAJMERUESE/WARNING SIGNS

### TIPET E VIZIMIT/MARKING TYPES



Shenim : Vijezim termoplastic  
Note : Thermoplastic marking

Vendosja e Tabelave te Kombinuara ne Rruge  
Sh 1:50



Shënim/Note:  
Shtylla e çelikut duhet të jetë e galvanizuar sipas kërkesave të AASHTO M 111.  
Sign table pole must be of galvanized steel according to AASHTO M 111

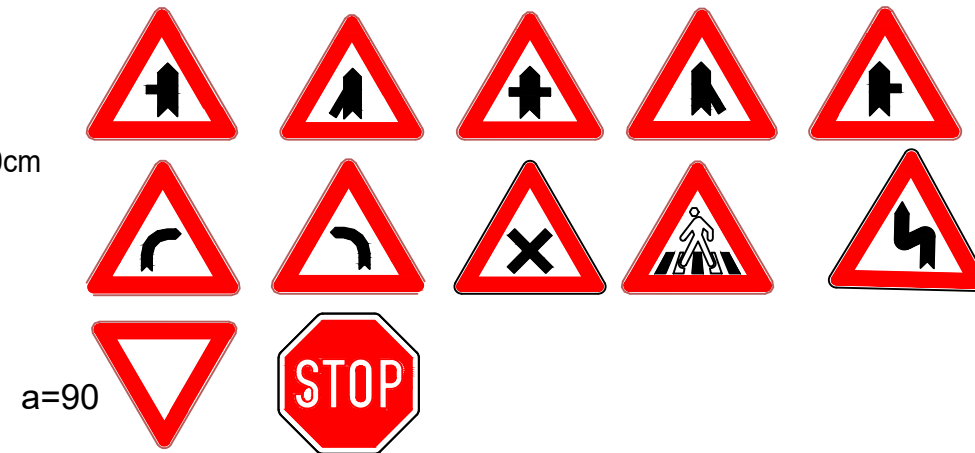
Lajmerim per nderprerje nga rruge dytesore, kthesat e kurbezuara, femijet, kembesoret dhe per ndalje/dhenie rruge.  
Notification for interruptions from secondary roads, curved turns, children, pedestrians and for stopping/giving way.

Simboli: e bardhe reflektuese 90cm

Trekendeshi: e kuqe reflektuese  
Triangle: reflective red

Sfondi: i zi  
Background: Black

Simboli: e bardhe reflektuese 90cm  
Symbol: reflective white 90cm



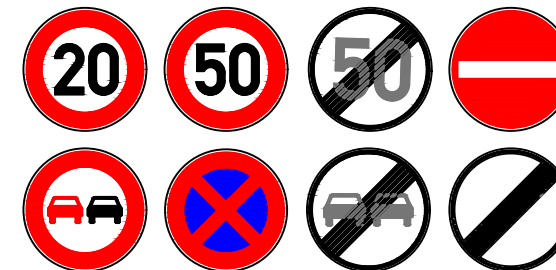
**SHENIM/NOTE:** Shenjat rrugore per nga forma, madhesia, ngjyra reflektiviteti duhet te jene sipas Kodit Rrugor te Republikes se Shqiperise Materiali praparefektiv duhet te kete jetegjatesi 10vjet per Clasin 2. Simboli brenda shenjes rrugore duhet te jete i realizuar me boje te trajtuar me pjekje e cila nuk humbet treguesit praparefektiv Shenja rrugore realizohet me llamarine çeliku e cila lyhet me boje opake kundra korozionit dhe trajtohet me pjekje. Road signs, by shape, size, color, reflectivity should be according to the Road Code of the Republic of Albania Reflectiv material should have durability 10 years for Class 2. The symbol inside the road mark should be realized with baking handle paint which does not lose the reflection The road sign is realized with steel sheet painted with opaque ink against corrosion and treated with baking.

## SHENJA NDALUESE / PROHIBITIVE SIGN

Shenjat per kufirin e shpejtesise dhe ndalim parakalimin  
Signs for speed limit and stop overtaking

Rrethi : e kuqe reflektuese  
Circle: reflective red

Shenja : e zeze reflektuese 60 cm  
The sign: the reflective black 60 cm



SHENIM: Cilesia e tabelave, montimi i tyre, vizimi etj, duhet te jene ne perputhje me ARDM-6, Rregulloren e Kodit Rrugor dhe Manualet ne Fuqi.  
NOTE: The quality of the signs, their assembly, marking, etc., must be in accordance with ARDM-6, the Traffic Code Regulation and the Manuals in force.



**INVESTITORI / INVESTOR**  
**"Autoriteti Rrugor Shqiptar"**

Address: Rr. "Sami Frasheri", Nr 33, Tirane  
Mob: 04 222 3600  
E-mail: info@arrsh.gov.al



JV: "InfraKonsult" shpk & "HMK-Consulting" shpk



"Studim Projektim - Zgjerimi i segmentit rrugor dalje Elbasan-Prrenjas-Qafe Thane", (Faza VI) /  
"Design Study of road segment exit Elbasan-Prrenjas-Qafe Thane" (Phase VI)

Detaje sinjalistike/  
Signage Details

FAZA - PROJEKT ZBATIM  
PHASE - DETAIL DESIGN

SHKALLA  
SCALE

Data: Tiranë 2023

VIZATIMI Nr:  
PAGE No: I(g). (1)

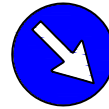
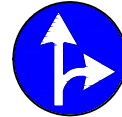
PROJEKTUES:  
DESIGN ENGINEERS:

Ing./Eng. Sokol METOJA  
Ing./Eng. Redi STRUGA  
Ing./Eng. Orgest MÉRITKA

## SHENJA DETYRUESE

Anet & Shigjetat: E bardhe reflektuese  
Sfondi: blu reflektuese KI 2

Edge & arrow: white reflective  
Background: blue reflective CI 2



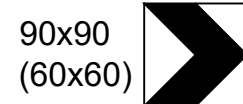
## SHENJA PLOTESUESE COMPLEMENTARY SIGN

SHENJA E KTHESES NE NJE DREJTIM  
& DY DREJTIME

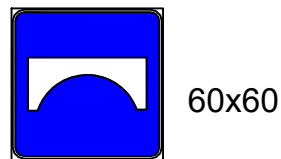
CHEVRON SIGNS ONE DIRECTION  
& TWO DIRECTION

Shenja : e bardhe reflektuese  
Sfondi: e zeze

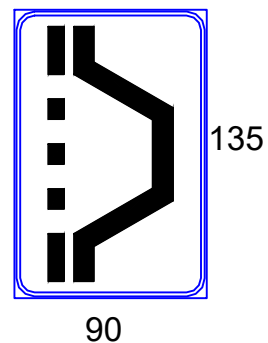
Sign : white reflective  
Background: black



## INFORMATION /INDICATIVE SIGN



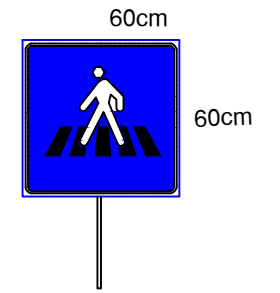
URE  
Bridge



90

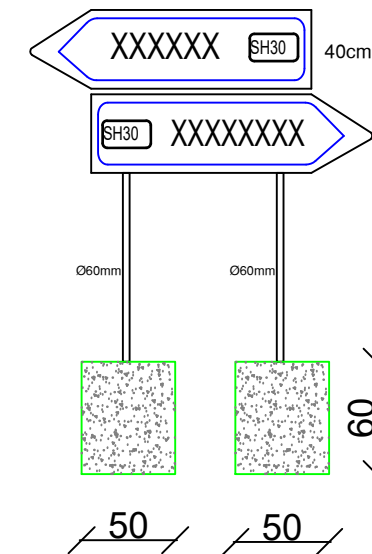
## SHENJA VENDTREGUESE/PLACE SIGN

Shenja : e bardhe reflektuese  
Sfondi: blu reflektuese KI 2  
SIGN: white reflective  
Background: blue reflective CI 2



## SHENJA TE DREJTIMIT /DIRECTION SIGN

Shenja : e bardhe reflektuese  
Sfondi: blu reflektuese KI 2



SHENIM: Cilesia e tabelave, montimi i tyre, vizimi etj, duhet te jene ne perputhje me ARDM-6, Rregulloren e Kodit Rrugor dhe Manualet ne Fuqi.  
NOTE: The quality of the signs, their assembly, marking, etc., must be in accordance with ARDM-6, the Traffic Code Regulation and the Manuals in force.



**INVESTITORI / INVESTOR**  
**"Autoriteti Rrugor Shqiptar"**

Address: Rr. "Sami Frasher", Nr 33, Tirane  
Mob: 04 222 3600  
E-mail: info@arsh.gov.al



JV: "InfraKonsult" shpk & "HMK-Consulting" shpk



"Studim Projektim - Zgjerimi i segmentit rrugor  
dalje Elbasan-Prrenjas-Qafe Thane", (Faza VI) /  
"Design Study of road segment exit  
Elbasan-Prrenjas-Qafe Thane" (Phase VI)

Detaje sinjalistike/Signage Details

FAZA - PROJEKT ZBATIM  
PHASE - DETAIL DESIGN

SHKALLA  
SCALE

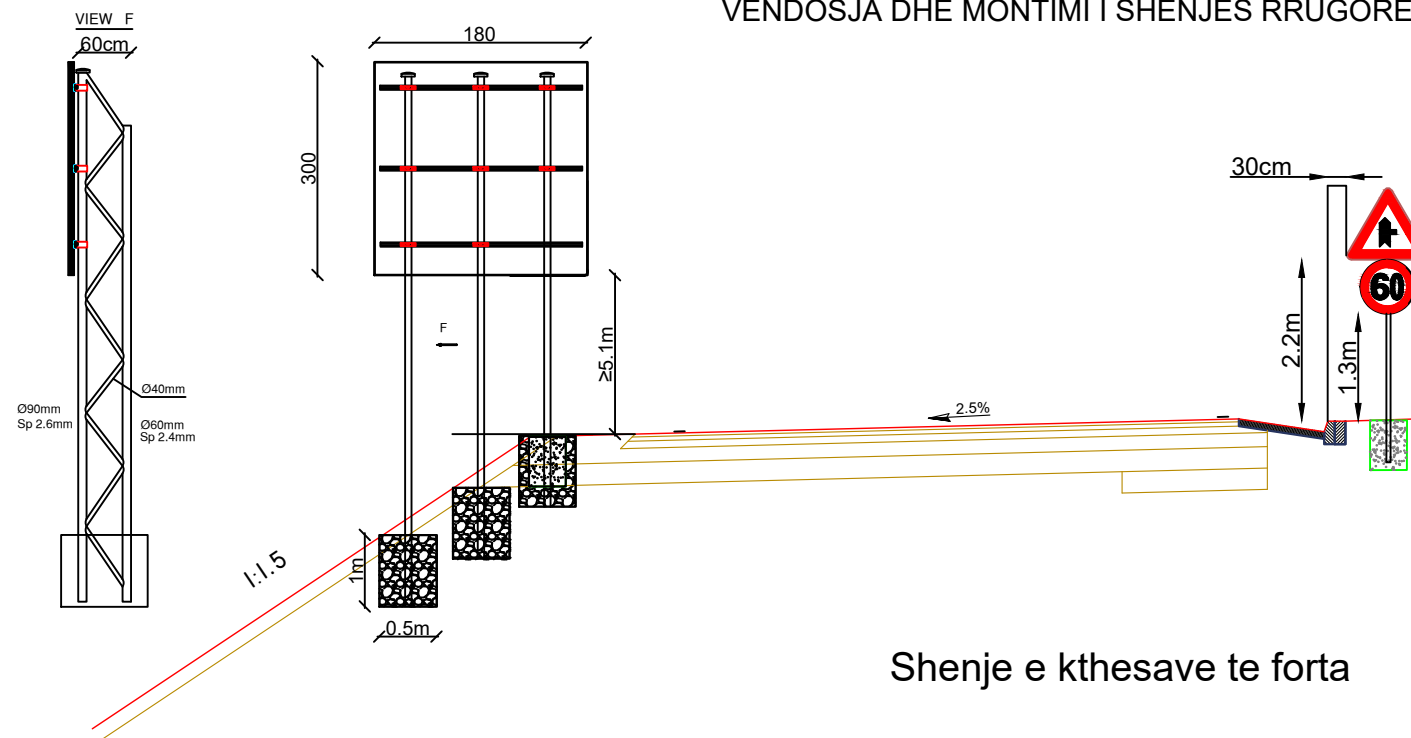
Data: Tiranë 2023

VIZATIMI Nr:  
PAGE No: 1(g). (2)

PROJEKTUES:  
DESIGN ENGINEERS:

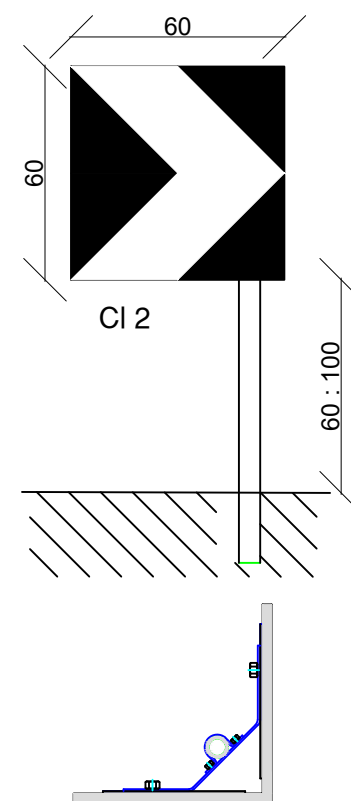
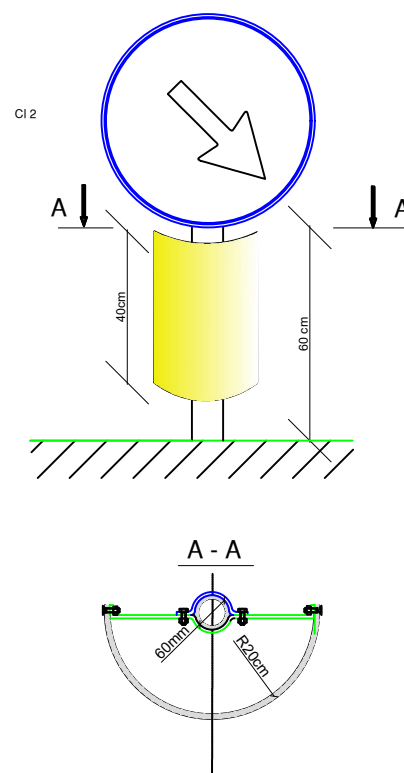
Ing./Eng. Sokol METOJA  
Ing./Eng. Redi STRUGA  
Ing./Eng. Orgest MERTIKA

VENDOSJA DHE MONTIMI I SHENJES RRUGORE



Shenje e kthesave te forta

Shenje e ishujve te trafikut



Distanca e shenjave ne kthese

RREZJA E KTHESAVE	DISTANCA
30 : 50 m	8 m
50 : 100 m	12 m
100 : 200 m	20 m
200 : 400 m	30 m
> 400 m	30:50 m

SHENIM: Cilesia e tabelave, montimi i tyre, vizimi etj, duhet te jene ne perputhje me ARDM-6, Rregulloren e Kodit Rrugor dhe Manualet ne Fuqi.  
 NOTE: The quality of the signs, their assembly, marking, etc., must be in accordance with ARDM-6, the Traffic Code Regulation and the Manuals in force.



**INVESTITORI / INVESTOR**  
**"Autoriteti Rrugor Shqiptar"**  
 Address: Rr. "Sami Frasher", Nr 33, Tirane  
 Mob: 04 222 3600  
 E-mail: info@arsh.gov.al



JV: "InfraKonsult" shpk & "HMK-Consulting" shpk



"Studim Projektim - Zgjerimi i segmentit rrugor dalje Elbasan-Prrrenjas-Qafe Thane", (Faza VI) / "Design Study of road segment exit Elbasan-Prrrenjas-Qafe Thane" (Phase VI)

Detaje sinjalistike/Signage Details

FAZA - PROJEKT ZBATIM  
 PHASE - DETAIL DESIGN

SHKALLA  
 SCALE

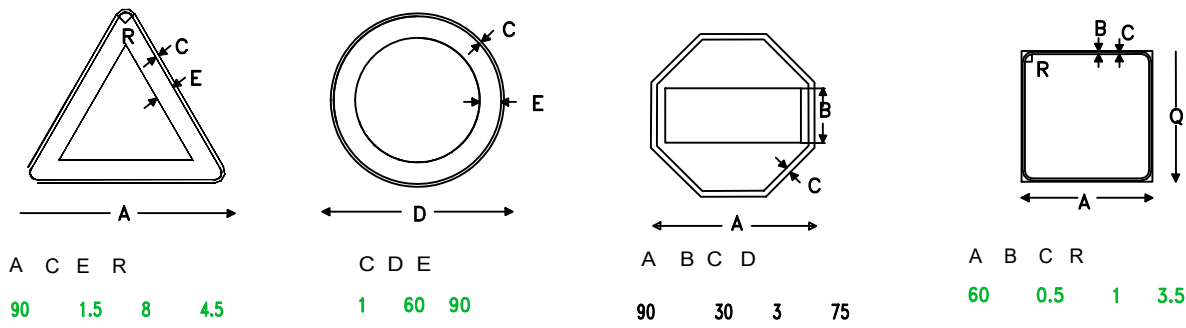
Data: Tiranë 2023

VIZATIMI Nr:  
 PAGE No: I(g). (3)

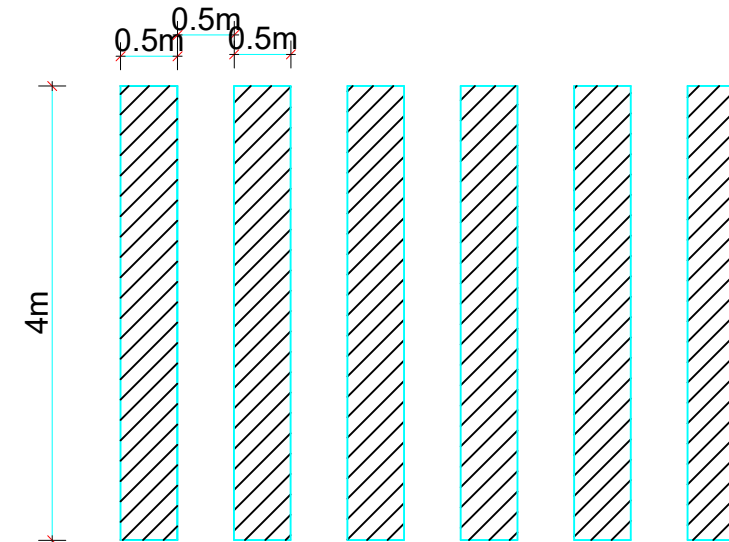
PROJEKTUES:  
 DESIGN ENGINEERS:

Ing./Eng. Sokol METOJA  
 Ing./Eng. Redi STRUGA  
 Ing./Eng. Orgest MERTIKA

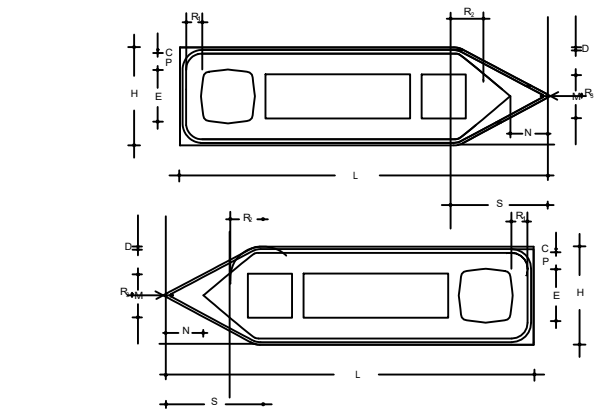
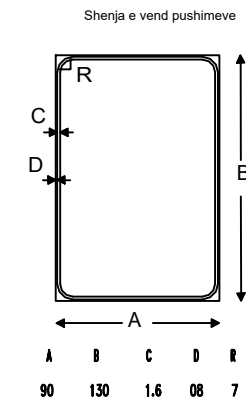
PERMASAT E SHENJAVE STANDARTE  
DIMENSIONS OF STANDARD SIGN



KALIMET E KEMBESOREVE  
PEDESTRIANS CROSSING

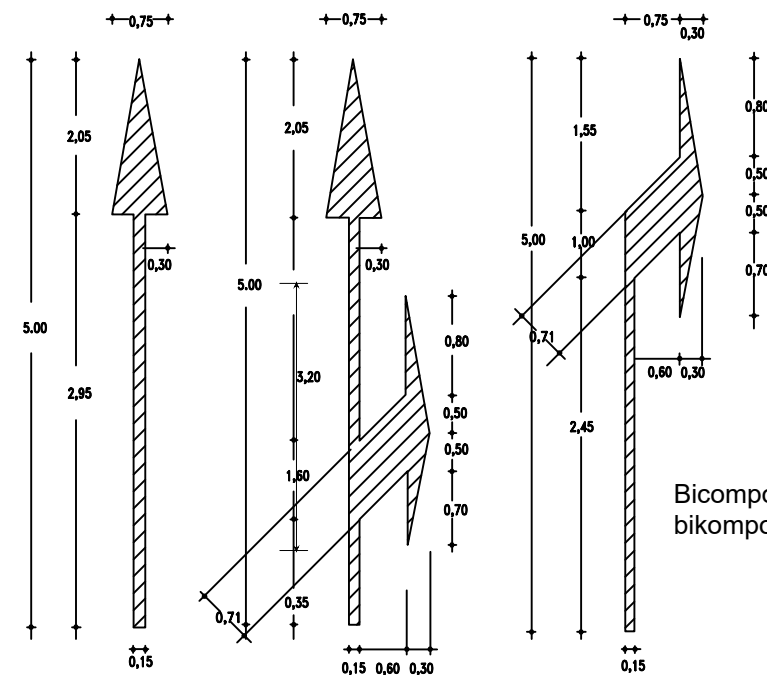


Boje bikomponente (paste)/Bicomponent Painting (paste)



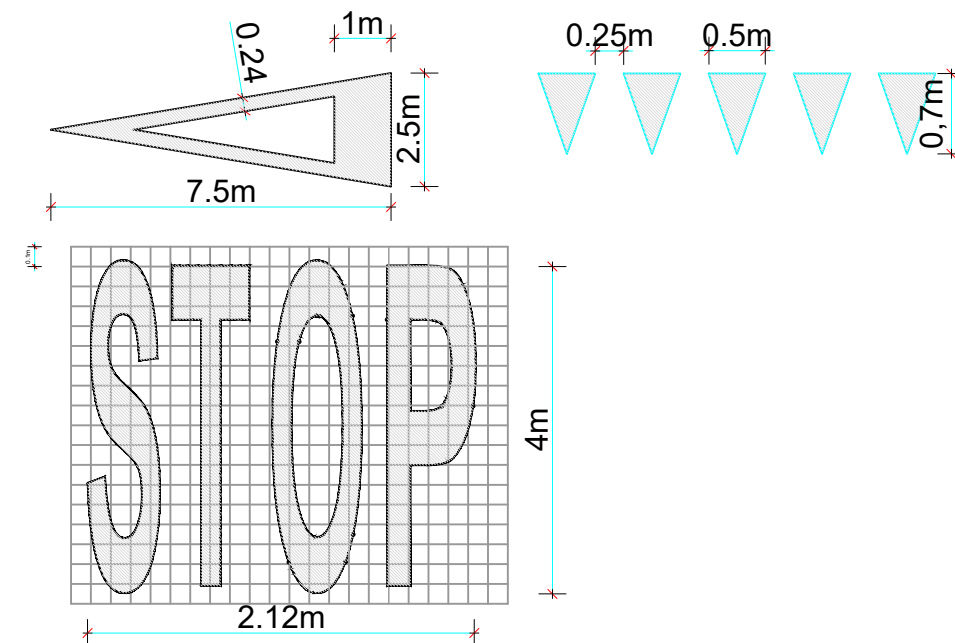
permese e madhe (big size)	permese normale (normal size)
C: 3, D: 1.5, E: 22, H: 70, Lmin: 250, M: 31.5, N: 27, R1: 14, R2: 23, R3: 2, P: 11.5, S: 60	C: 1.5, D: 1, E: 22, H: 40, Lmin: 150, M: 18, N: 15.5, R1: 8, R2: 13, R3: 2, P: 6.5, S: 38

SHIGJETAT TREGUESE TE RRUGES  
ROAD MARKING ARROWS



Bicomponent Painting (paste) / Boje bikomponente (paste)

DHENIE PERPARESIE) / GIVE WAY ROAD SIGN



INVESTITORI / INVESTOR  
"Autoriteti Rrugor Shqiptar"

Address: Rr. "Sami Frasher", Nr 33, Tirane  
Mob: 04 222 3600  
E-mail: info@arsh.gov.al



JV: "InfraKonsult" shpk & "HMK-Consulting" shpk



"Studim Projektim - Zgjerimi i segmentit rrugor dalje Elbasan-Prenjas-Qafe Thane", (Faza VI) / "Design Study of road segment exit Elbasan-Prenjas-Qafe Thane" (Phase VI)

Detaje sinjalistike/Signage Details

FAZA - PROJEKT ZBATIM  
PHASE - DETAIL DESIGN

SHKALLA  
SCALE

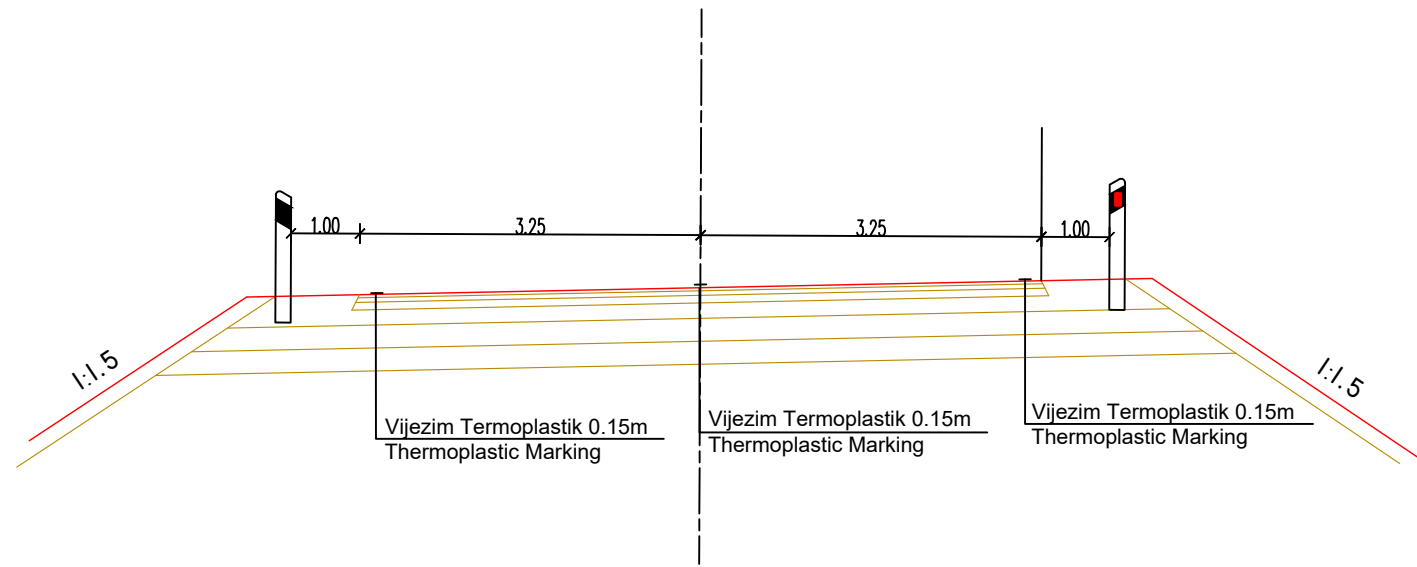
Data: Tiranë 2023

VIZATIMI Nr:  
PAGE No: I(g). (4)

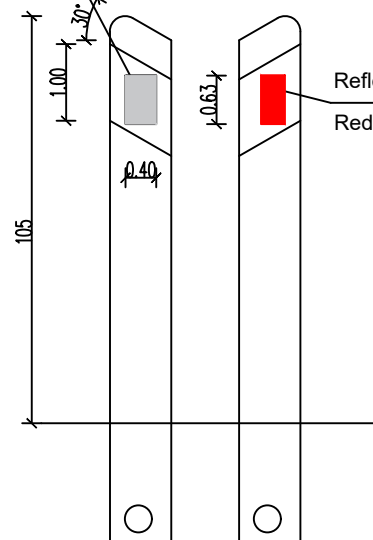
PROJEKTUES:  
DESIGN ENGINEERS:

Ing./Eng. Sokol METOJA  
Ing./Eng. Redi STRUGA  
Ing./Eng. Orgest MERTIKA

**Delineatoret anesor te rruges**  
Road Delineator



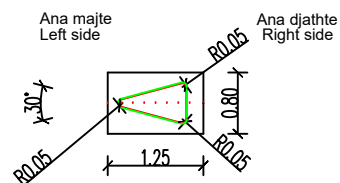
Reflektues i Bardhe  
White reflector



Reflektues i Kuq  
Red reflector

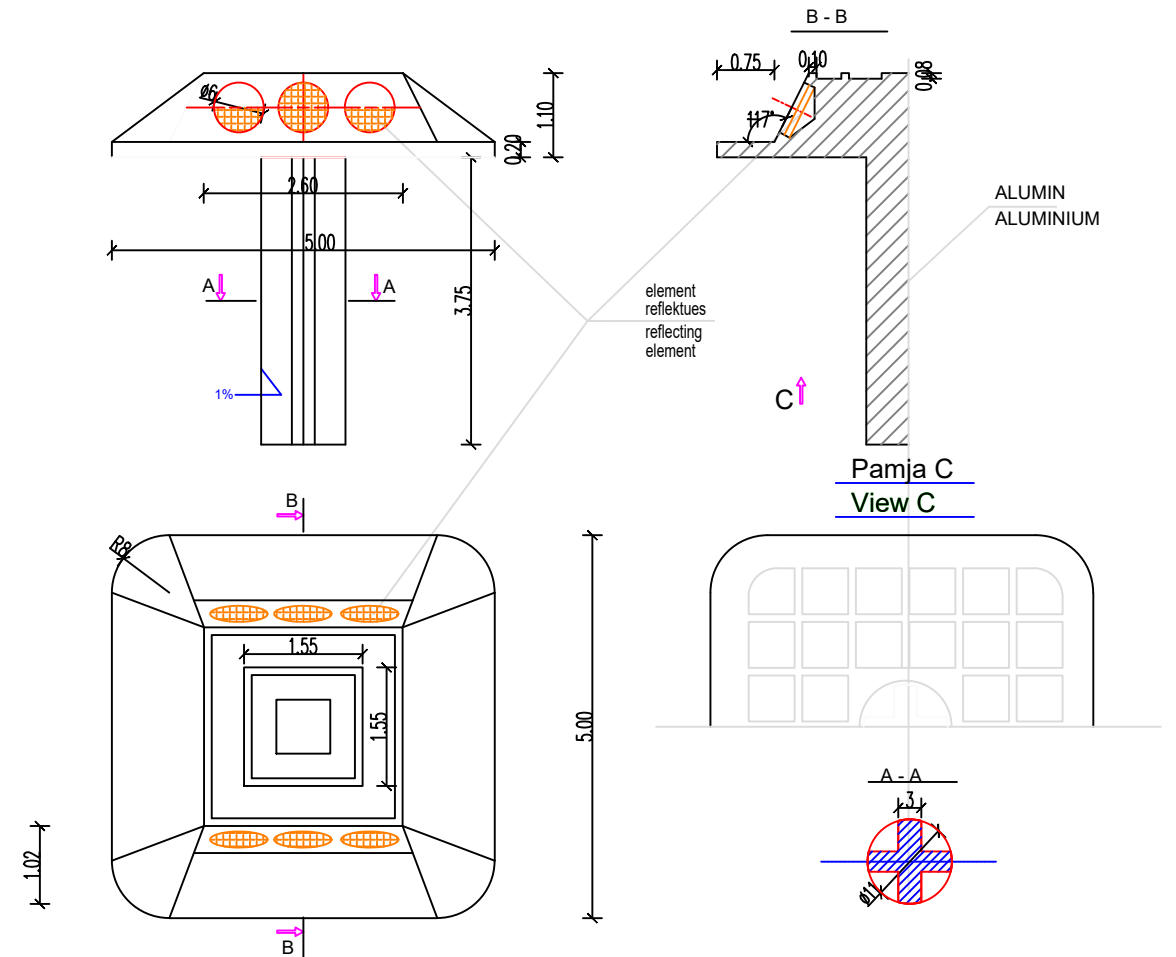
**Distanca e delineatoreve anesor**  
Distance between delineator

RREZJA E KTHESES TURN RADIUS	DISTANCA DISTANCE
untill/deri 30 m	6 m
30 - 50 m	8 m
50 - 100 m	12 m
100 : 200 m	20 m
200 : 400 m	30 m
> 400 m	50 m

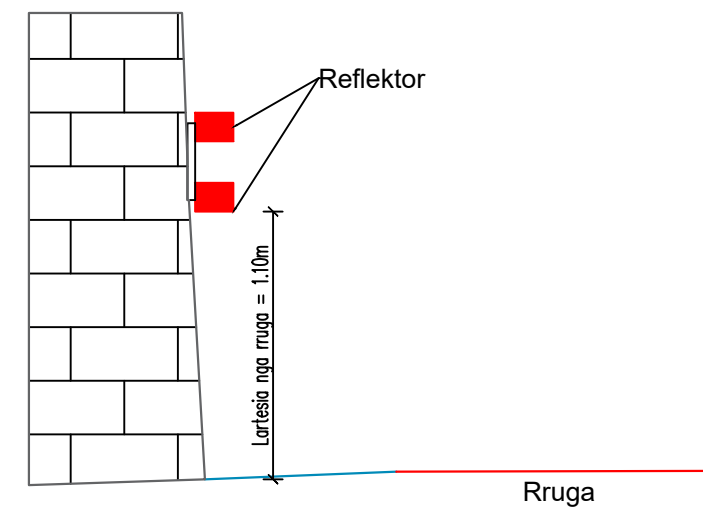


SEKSIONI/SECTION

**Sy Mace**  
Cat Eye



**Detaje Reflektori ne Mure**



**INVESTITORI / INVESTOR**  
**"Autoriteti Rrugor Shqiptar"**

Address: Rr. "Sami Frasher", Nr 33, Tirane

Mob: 04 222 3600  
E-mail: info@arsh.gov.al



JV: "InfraKonsult" shpk & "HMK-Consulting" shpk



"Studim Projektim - Zgjerimi i segmentit rrugor  
dalje Elbasan-Prrrenjas-Qafe Thane", (Faza VI) /  
"Design Study of road segment exit  
Elbasan-Prrrenjas-Qafe Thane" (Phase VI)

Detaje sinjalistike/Signage Details

FAZA - PROJEKT ZBATIM  
PHASE - DETAIL DESIGN

SHKALLA  
SCALE

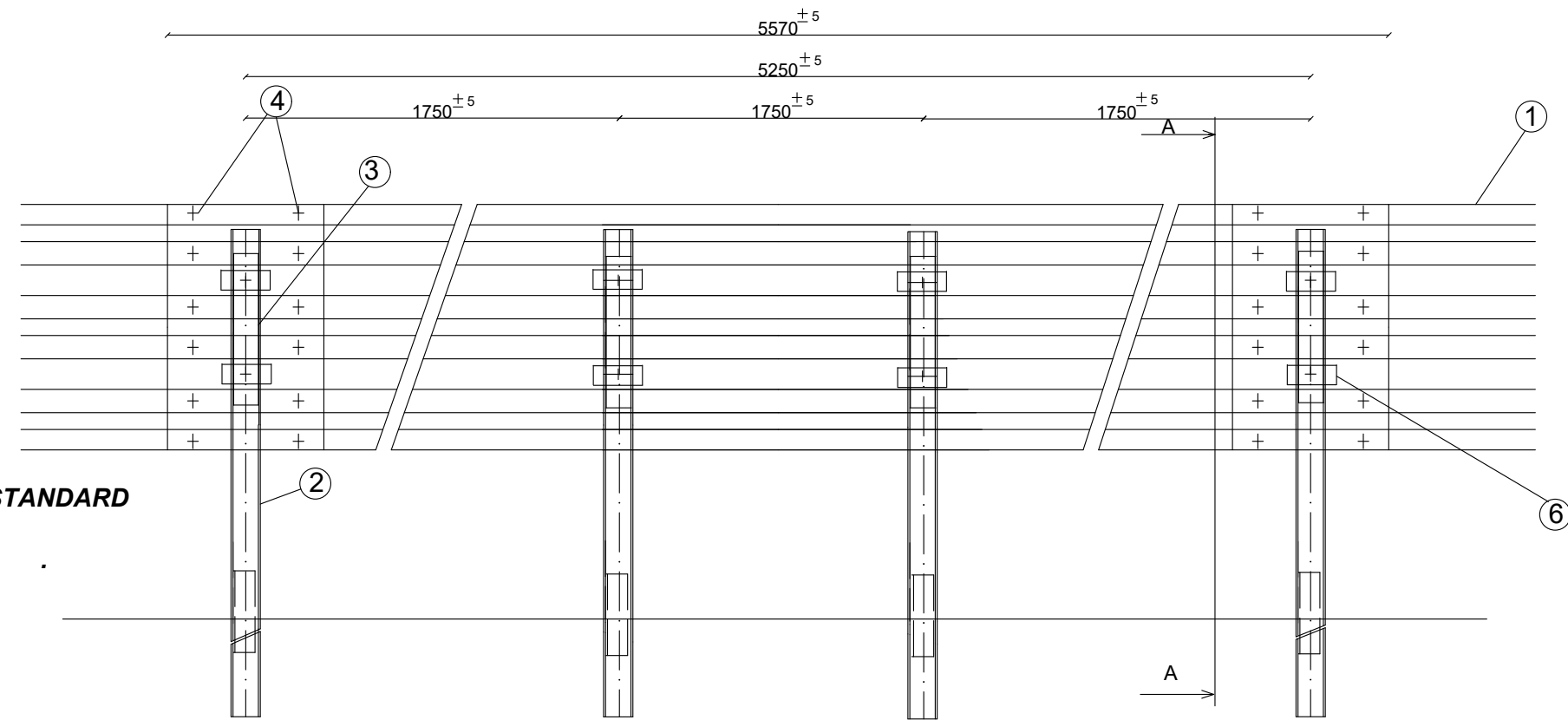
Data: Tiranë 2023

VIZATIMI Nr:  
PAGE No: I(g). (5)

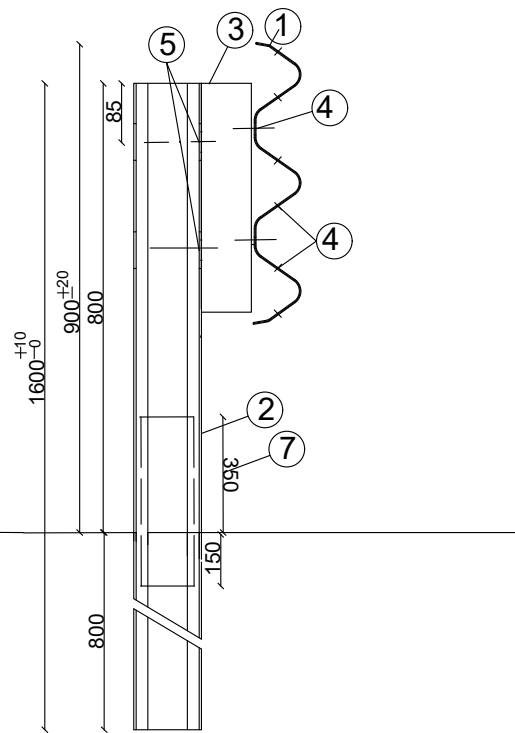
PROJEKTUES:  
DESIGN ENGINEERS:

Ing./Eng. Sokol METOJA  
Ing./Eng. Redi STRUGA  
Ing./Eng. Orgest MERTIKA

A-A



**STEEL QUALITY: S235JR & S275JR ACC STANDARD  
UNI EN 10025-2  
TOLERANCE: UNI EN 10051:2010  
GALVANIZING: UNI EN ISO 1461**



1	3W V-502	Three wave beam L=5250	S275JR	THCK 2.50mm
2	C120 V-1600	"C" Post 123*63*30*1600	S235JR	THCK 4.70mm
3	SP 8*6	Spacer U 60*80*60*300	S355JR	THCK 4.00mm
4	B16 V-30	Bolt M16x30	Class 8.8	
5	B10 V-50	Bolt M10x50	Class 6.8	
6	CP V-100	Cover plate 100*40	S235JR	THCK 5.00mm
7	RF V500	Reinforcement 500*50*112	S235JR	THCK 4.70mm
GD-H2W3		<b>H2-W3 System</b>		



**INVESTITORI / INVESTOR**  
**"Autoriteti Rrugor Shqiptar"**

Address: Rr. "Sami Frasheri", Nr 33, Tirane

Mob: 04 222 3600  
E-mail: info@arrsh.gov.al



JV: "InfraKonsult" shpk & "HMK-Consulting" shpk



"Studim Projektim - Zgjerimi i segmentit rrugor  
dalje Elbasan-Prenjas-Qafe Thane", (Faza VI) /  
"Design Study of road segment exit  
Elbasan-Prenjas-Qafe Thane" (Phase VI)

Guardrail H2W3 3 valez. (ne bankina) /  
Guardrail H2W3, 3 waves. (on shoulders)

FAZA - PROJEKT ZBATIM  
PHASE - DETAIL DESIGN

SHKALLA  
SCALE

Data: Tiranë 2023

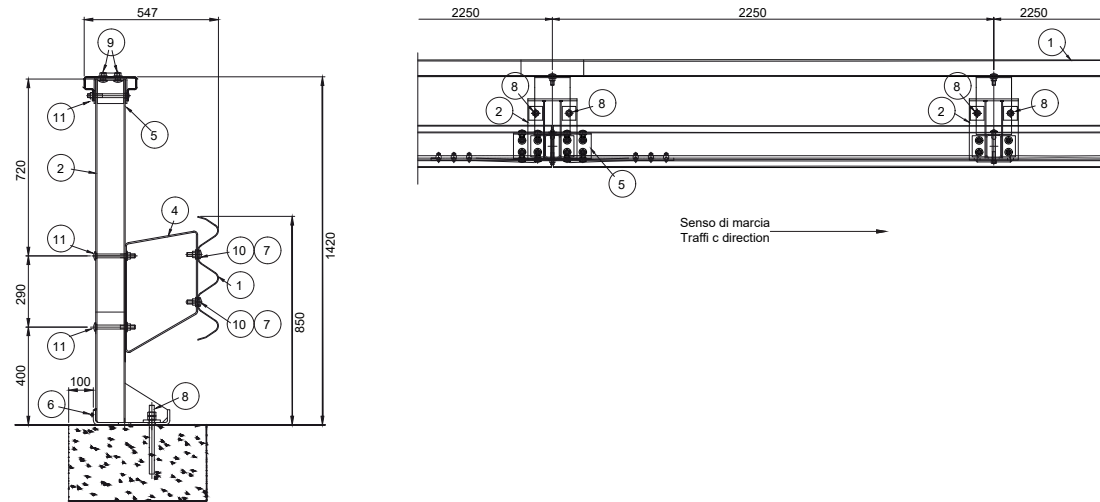
VIZATIMI Nr:  
PAGE No: I(g). (6)

PROJEKTUES:  
DESIGN ENGINEERS:

Ing./Eng. Sokol METOJA  
Ing./Eng. Redi STRUGA  
Ing./Eng. Orgest MERTIKA

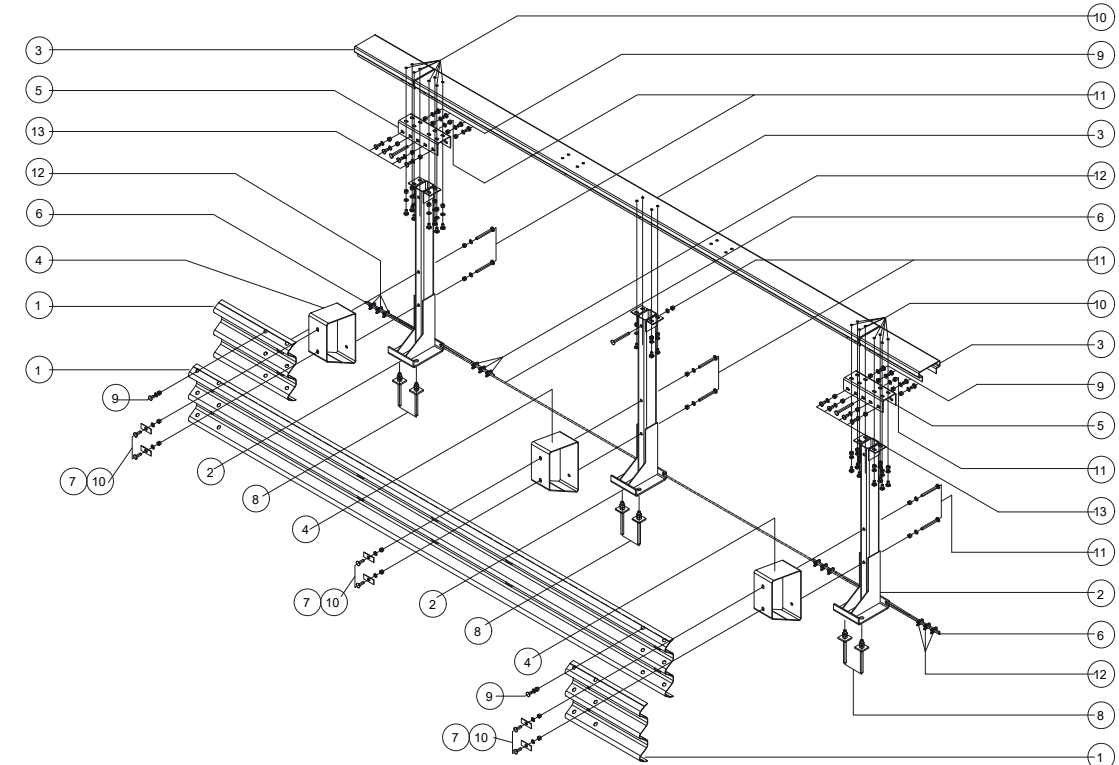


Classe H3 Bordo Ponte - Barriera 3 onde per manufatto W5  
 Class H3 Bridge side - 3-waves guardrail for bridge W5  
 Aufh altstufe H3 für Kunstbauten - 3-welliges Rückhaltesystem W5  
 Classe H3 Bord pont - Glissière 3 crosses simple pour pont W5  
 Clase H3 Borde de puente - Barrera de triple onda simple para base puente W5



Caratteristiche Characteristics, Eigenschaften, Caractéristiques, Características	
Altezza fuori terra Height above ground level, Höhe über Grundboden, Hauteur hors sol, Altura sobre el suelo	1420 ± 10 mm
Profondità d'infissione Depth of penetration, Rammtiefe, Profondeur de piling du poteau, Longitud hincada	-
Ingombro trasversale Overall width, Gesamtbreite, Grosseur hors tout, Anchura total	547 mm
Interasse pali Post spacing, Steherabstand, Distance entre poteaux, Distancia entre postes	2250 mm

Rapporti di prova Crash test reports, Testberichte, Comptes rendus d'essais, Relaciones de pruebas											
Test n.	Facility	Test	Type	Barrier length m	Mass kg	Speed km/h	ASI max 1.4	THIV max 33 km/h	D m	Vi m	W m
PROVA 880	Aisico	TB61	Laterale 20°	85,5	16.000	80			1,4	1,8	1,7=W5
PROVA 879	Aisico	TB11	Laterale 20°	85,5	900	100	1,3=B	25	0,4		0,5=W1



Componenti Components, Bauteile, Composants, Elementos			
Descrizione Description		Materiale Material	Codice Code
12 Morsetto per fune Cable clamp, Schraubklemme für Stahlseil, Serre-câble, Grapa para cable	Ø12 mm		59600645
13	M16x35 mm	Classe 8.863800059	
11 Bullone completo Bolt with nut and washer, Schraube komplett,	M16x160 mm	Classe 8.863800417	
10 Boulon complet, Tornillo completo con tuerca y arandela	M16x50 mm	Classe 8.863800014	
9	M16x30 mm	Classe 8.863800012	
8 Tirafondo + dadi + 1 rondella Anchor bolt + nuts + 1 washer, Verbundklebeankerschraube + Mütter + 1 Unterlegscheibe, Tire-fond + écrous + 1 rondelle, Varilla Roscada + tuercas + 1 arandela	M20x280 mm	Classe 8.863800445	
7 Piastrina copriasola Slot covering plate, Lochabdeckplatte, Plaque de couverture fente, Placa cubre-ranura	100x40x4 mm	S 275 JR	59600127
6 Funne Wire rope, Seil, Câble, Cable	Ø12 L=6000 mm		59600641
5 Collegamento trave "U" U-profil le for beam connection, U-Profil für Geländerverbindung, Pièce de raccordement à "U", Perfil de conexión "U"	134x120 L=396	S 355 JR	59603135
4 Distanziatore romboidale Rhomboidal spacer, Rhomboidisch. Abstandhalter, Entretoise en losange, Separador romboidal	Th=5	S 235 JR	59601255
3 Trave superiore Upper T-beam, Geländerträger, Poutre supérieure, Viga superior	L=4490 Sv=450 mm	S 355 JR	59603133
2 Palo in tubo con piastra Rectangular tube post with base plate, Vierkanrohrsteher mit Grundplatte, Poteau tubulaire avec plaque, Poste de tubo con placa	120x80 Th=5 H=1420 mm	S 275 JR	59603131
1 Fascia 3 onde 3-waves beam, 3-wellige Leitschiene, Glissière 3 crosses, Banda triple onda	L=4816 (2250x2) Th=2,5 mm	S 235 JR	59300005



**INVESTITORI / INVESTOR**  
**"Autoriteti Rrugor Shqiptar"**

Address: Rr. "Sami Frasher", Nr 33, Tirane  
 Mob: 04 222 3600  
 E-mail: info@arrsh.gov.al



JV: "InfraKonsult" shpk & "HMK-Consulting" shpk



"Studim Projektim - Zgjerimi i segmentit rrugor dalje Elbasan-Prrrenjas-Qafe Thane", (Faza VI) / "Design Study of road segment exit Elbasan-Prrrenjas-Qafe Thane" (Phase VI)

Guardrail H3W5 3 valez. (ne struktura) / Guardrail H3W5, 3 waves (on structures)

FAZA - PROJEKT ZBATIM  
 PHASE - DETAIL DESIGN

SHKALLA  
 SCALE

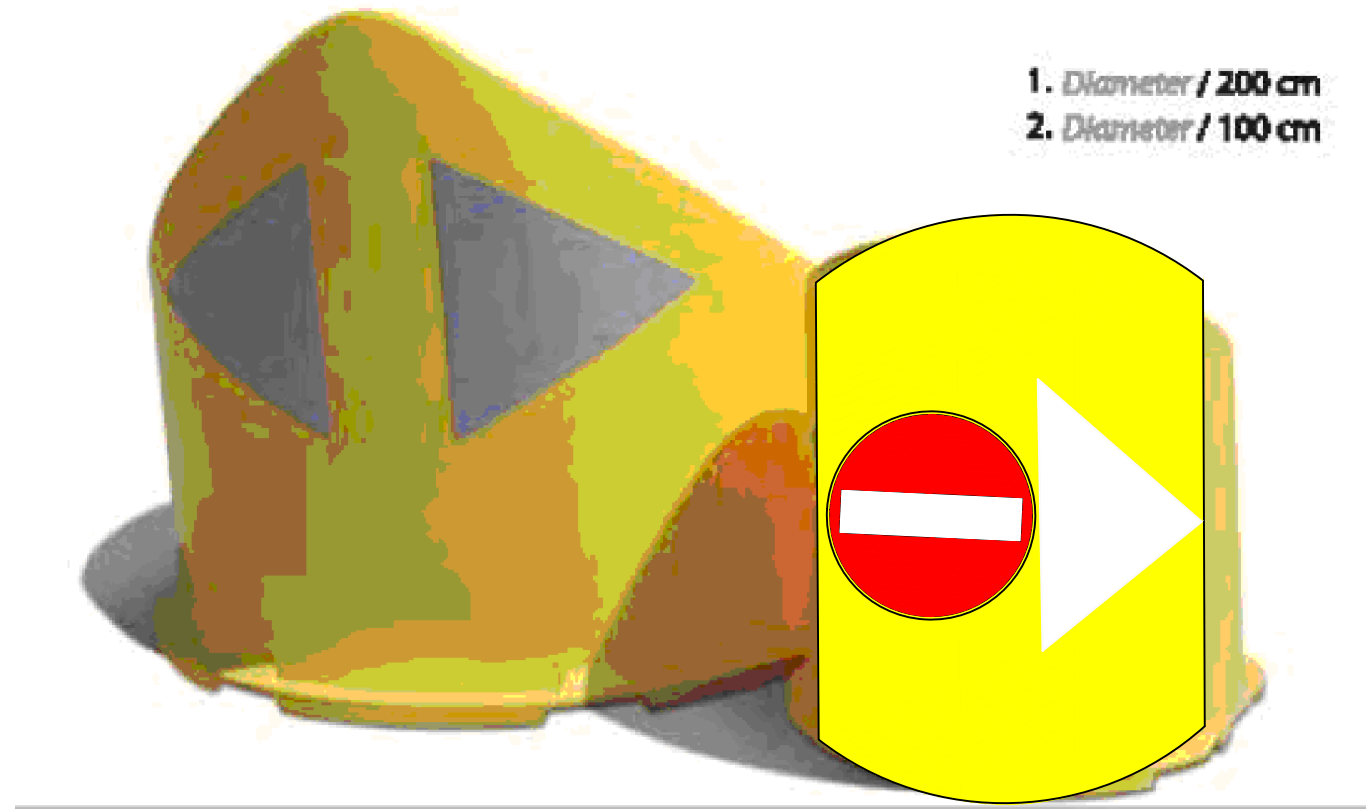
Data: Tiranë 2023

VIZATIMI Nr:  
 PAGE No: I(g). (7)

PROJEKTUES:  
 DESIGN ENGINEERS:

Ing./Eng. Sokol METOJA  
 Ing./Eng. Redi STRUGA  
 Ing./Eng. Orgest MÉRITKA

**TREGUES PERPLASJE/IMPACT SIGN,  
 BIDON PLASTIK/PLASTIC CAN  
 MBUSHUR ME UJE/FILLED WITH WATER D=100cm H=114cm**



- 1. Diameter / 200 cm
- 2. Diameter / 100 cm



**INVESTITORI / INVESTOR**  
**"Autoriteti Rrugor Shqiptar"**  
 Address: Rr. "Sami Frasheri", Nr 33, Tirane  
 Mob: 04 222 3600  
 E-mail: [info@arrsh.gov.al](mailto:info@arrsh.gov.al)



JV: "InfraKonsult" shpk & "HMK-Consulting" shpk



"Studim Projektim - Zgjerimi i segmentit rrugor  
 dalje Elbasan-Prrerjas-Qafe Thane", (Faza VI) /  
 "Design Study of road segment exit  
 Elbasan-Prrerjas-Qafe Thane" (Phase VI)  
 Detaje sinjalistike/Signage Details

FAZA - PROJEKT ZBATIM PHASE - DETAIL DESIGN	
SHKALLA SCALE	Data: Tiranë 2023
VIZATIMI Nr: PAGE No:	1(g). (8)

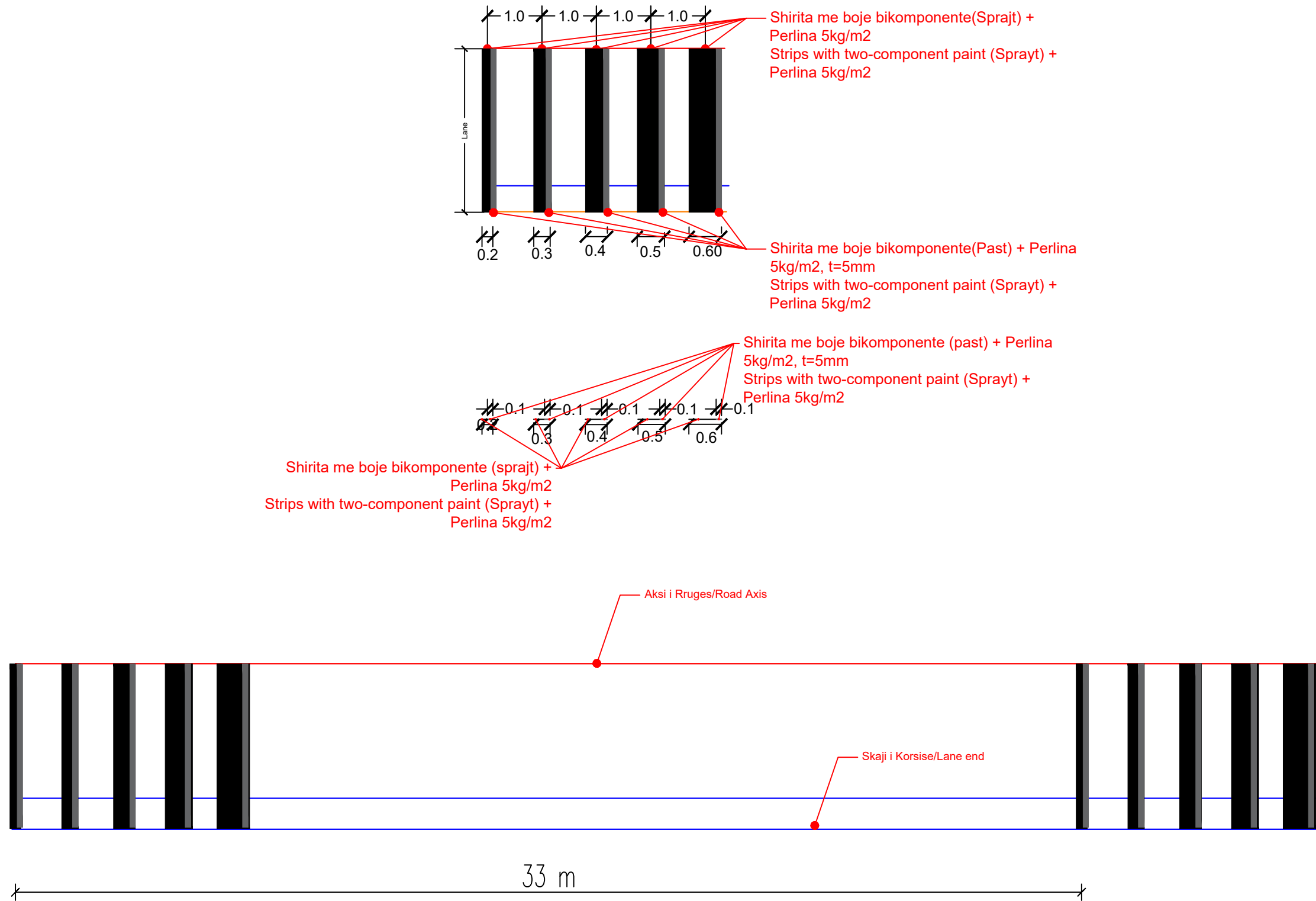
PROJEKTUES:  
 DESIGN ENGINEERS:

Ing./Eng. Sokol METOJA  
 Ing./Eng. Redi STRUGA  
 Ing./Eng. Orgest MÉRITKA





# Ngaldalsues shpejtesie me forme shiritash, me efekt degjimi Speed limiter in the form of strips, with a warning effect



**INVESTITORI / INVESTOR**  
**"Autoriteti Rrugor Shqiptar"**

Address: Rr. "Sami Frasher", Nr 33, Tirane  
Mob: 04 222 3600  
E-mail: info@arrsh.gov.al



JV: "InfraKonsult" shpk & "HMK-Consulting" shpk



"Studim Projektim - Zgjerimi i segmentit rrugor  
dalje Elbasan-Prenjas-Qafe Thane", (Faza VI) /  
"Design Study of road segment exit  
Elbasan-Prenjas-Qafe Thane" (Phase VI)

Detaje sinjalistike/Signage Details

FAZA - PROJEKT ZBATIM  
PHASE - DETAIL DESIGN

SHKALLA  
SCALE

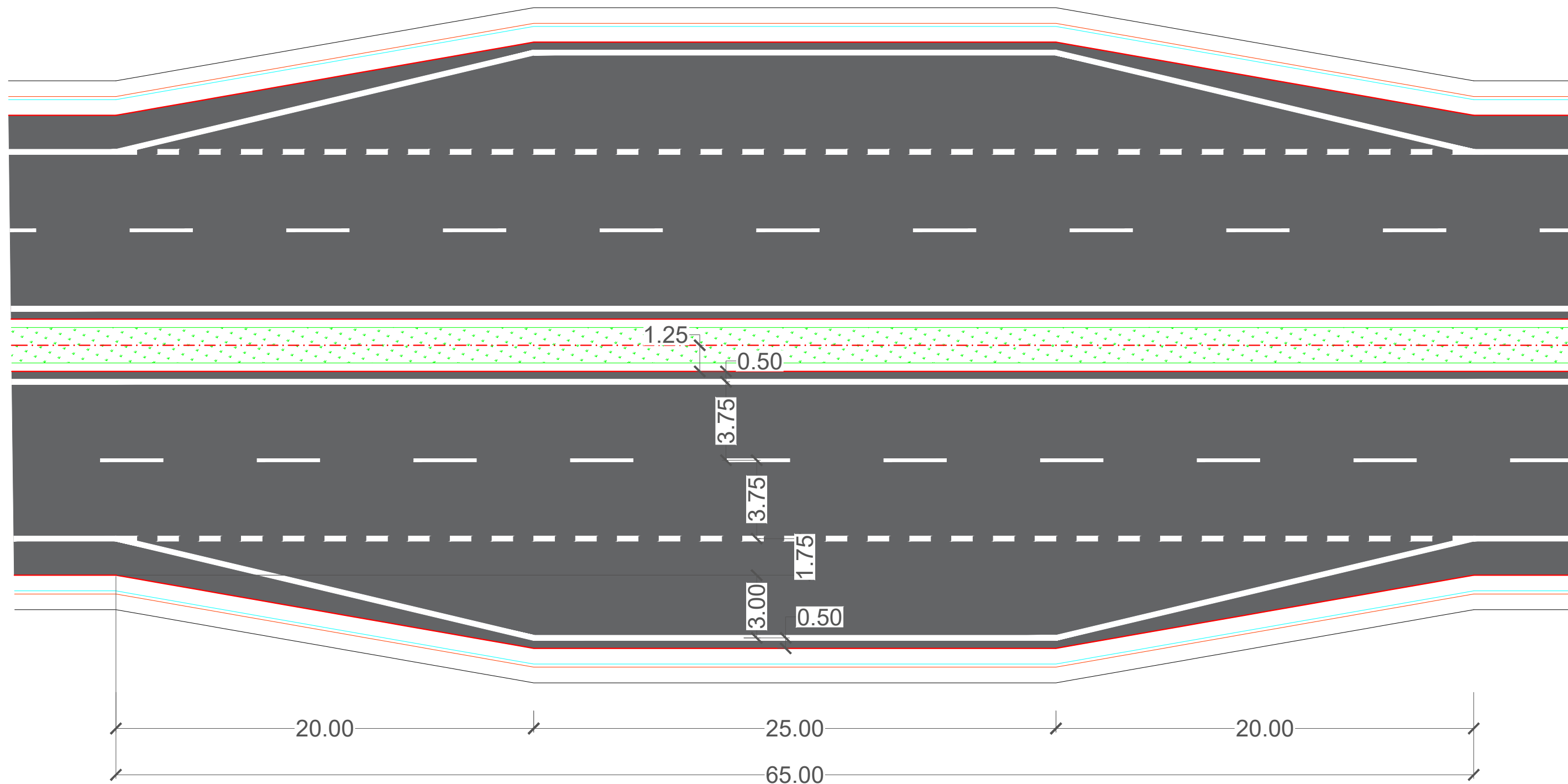
Data: Tiranë 2023

VIZATIMI Nr:  
PAGE No: I(g). (9)

PROJEKTUES:  
DESIGN ENGINEERS:

Ing./Eng. Sokol METOJA  
Ing./Eng. Redi STRUGA  
Ing./Eng. Orgest MERTIKA

# Planimetria Tip e Vendqendrimit Typical Lay-by Plan



**INVESTITORI / INVESTOR**  
**"Autoriteti Rrugor Shqiptar"**

Address: Rr. "Sami Frasher", Nr 33, Tirane  
Mob: 04 222 3600  
E-mail: [info@arrsh.gov.al](mailto:info@arrsh.gov.al)



JV: "InfraKonsult" shpk & "HMK-Consulting" shpk



"Studim Projektim - Zgjerimi i segmentit rrugor  
dalje Elbasan-Prrerjas-Qafe Thane", (Faza VI) /  
"Design Study of road segment exit  
Elbasan-Prrerjas-Qafe Thane" (Phase VI)

Detaje sinjalistike/Signage Details

FAZA - PROJEKT ZBATIM  
PHASE - DETAIL DESIGN

SHKALLA  
SCALE

Data: Tiranë 2023

VIZATIMI Nr:  
PAGE No: I(g). (10)

PROJEKTUES:  
DESIGN ENGINEERS:

Ing./Eng. Sokol METOJA  
Ing./Eng. Redi STRUGA  
Ing./Eng. Orgest MÉRITKA