

PLANIMETRIA

E K.U.B.

OBJEKTI

**“TRANSFORMIMI URBAN NE HAPESIRA PUBLIKE RAJONI 2”
PROJEKT-ZBATIMI “BULEVARDI I DIBRES”**

AUTORITETI KONTRAKTOR

FONDI SHQIPTAR I ZHVILLIMIT

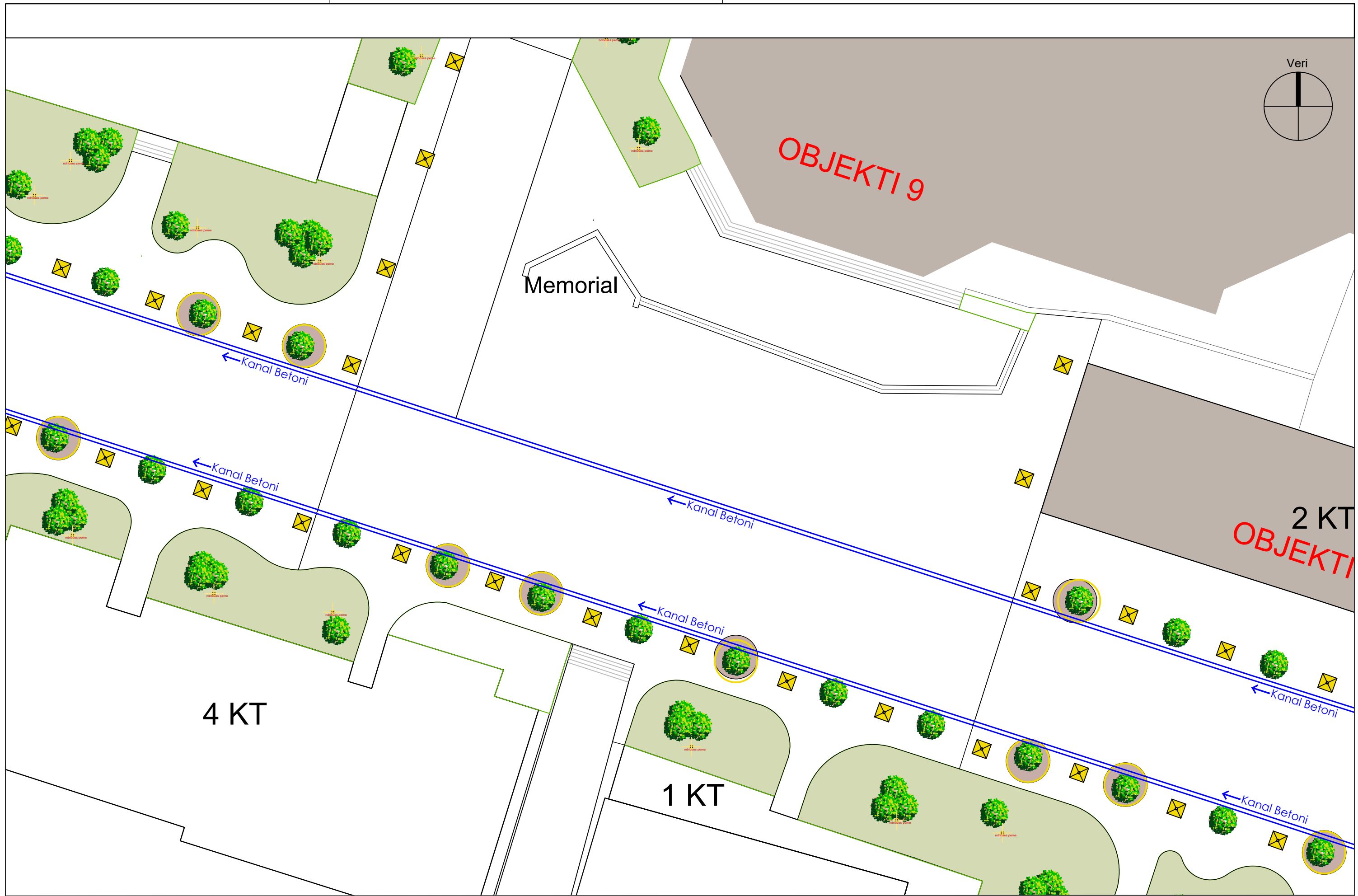
KONSULENTI

“ERALD-G” sh.p.k & “Transport Highway Consulting” sh.p.k

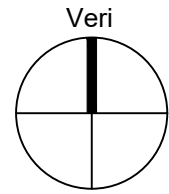
VITI 2024



AUTORITETI KONTRAKTOR CONTRACTING AUTHORITY  FONDI SHQIPTAR I ZHVILLIMIT ALBANIAN DEVELOPMENT FUND Albanian Development Fund	OBJEKTI: "TRANSFORMIMI URBAN NE HAPESIRA PUBLIKE KRYESORE RAJONI 2" PROJEKT-ZBATIMI "BULEVARDI I DIBRES"	PLANIMETRIA E K.U.B TRANSPORT HIGHWAY CONSULTING  PROJEKTIM DESIGN SUPERVISION KOLAUDIM NIPT K 51428048 I BOE "ERALD - G" SH.P.K & "T.H.C" SH.P.K	DREJTUES PROJEKTI Ing.Gezim Islami	PROJEKTUES		SHKALLA SH1:250 TIRANE 2024	FLETA KUB001 FORMAT A3
				Ark. Eriald Novaku	Gjeo.Shkelzen Qoka		
				Elek. Hajdar Kurti	Hidr.Anisa Zaka		
Top.Kujtim Canameti	Ing.Erindi Gjoka						



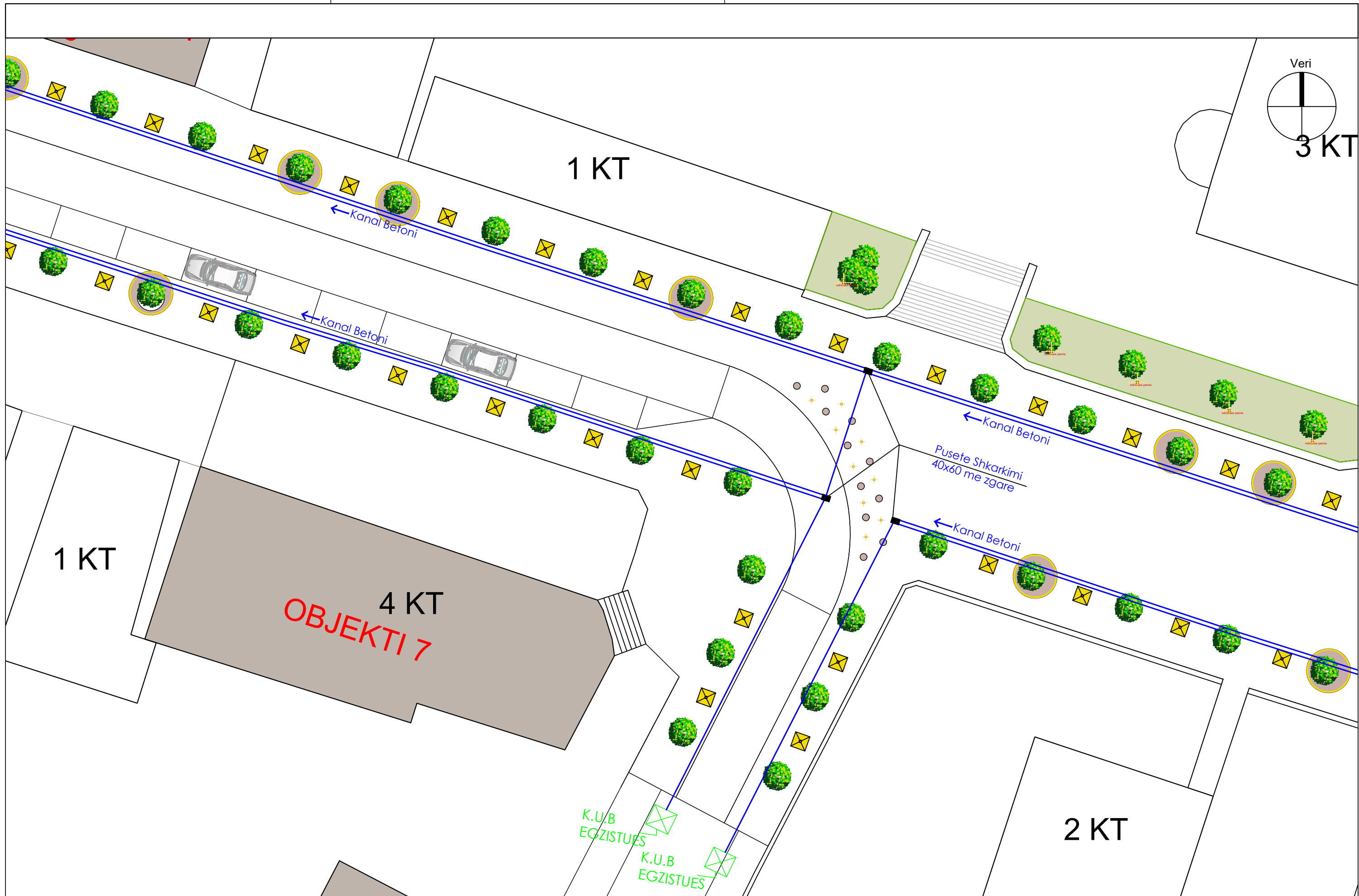
AUTORITETI KONTRAKTOR CONTRACTING AUTHORITY  FONDI SHQIPTAR I ZHVILLIMIT ALBANIAN DEVELOPMENT FUND Albanian Development Fund	OBJEKTI: "TRANSFORMIMI URBAN NE HAPESIRA PUBLIKE KRYESORE RAJONI 2" PROJEKT-ZBATIMI "BULEVARDI I DIBRES"	PLANIMETRIA E K.U.B TRANSPORT HIGHWAY CONSULTING   Tel/Fax: +355 42 320 290 Cel: +355 69 4014055 E-mail: thcalb@yahoo.com NIPT K 51428048 I BOE "ERALD - G" SH.P.K & "T.H.C" SH.P.K		DREJTUES PROJEKTI Ing.Gezim Islami	PROJEKTUES		SHKALLA SH1:250 TIRANE 2024	FLETA KUB002 FORMAT A3
		Ark. Eriald Novaku	Gjeo.Shkelzen Qoka					
		Elek. Hajdar Kurti	Hidr.Anisa Zaka					
Top.Kujtim Canameti	Ing.Erindi Gjoka							



AUTORITETI KONTRAKTOR CONTRACTING AUTHORITY  FONDI SHQIPTAR I ZHVILLIMIT ALBANIAN DEVELOPMENT FUND Albanian Development Fund	OBJEKTI: "TRANSFORMIMI URBAN NE HAPESIRA PUBLIKE KRYESORE RAJONI 2" PROJEKT-ZBATIMI "BULEVARDI I DIBRES"	PLANIMETRIA E K.U.B TRANSPORT HIGHWAY CONSULTING  PROJEKTIM DESIGN SUPERVISION KOLAUDIM NIPT K 51428048 I BOE "ERALD - G" SH.P.K & "T.H.C" SH.P.K	DREJTUES PROJEKTI Ing.Gezim Islami	PROJEKTUES		SHKALLA SH1:250 TIRANE 2024	FLETA KUB003 FORMAT A3
				Ark. Eriald Novaku Elek. Hajdar Kurti Top.Kujtim Canameti	Gjeo.Shkelzen Qoka Hidr.Anisa Zaka Ing.Erindi Gjoka		



AUTORITETI KONTRAKTOR CONTRACTING AUTHORITY  FONDI SHQIPTAR I ZHVILLIMIT ALBANIAN DEVELOPMENT FUND Albanian Development Fund	OBJEKTI: "TRANSFORMIMI URBAN NE HAPESIRA PUBLIKE KRYESORE RAJONI 2" PROJEKT-ZBATIMI "BULEVARDI I DIBRES"	PLANIMETRIA E K.U.B TRANSPORT HIGHWAY CONSULTING  PROJEKTIM DESIGN SUPERVISION KOLAUDIM BOE "ERALD - G" SH.P.K & "T.H.C" SH.P.K	DREJTUES PROJEKTI Ing.Gezim Islami	PROJEKTUES		SHKALLA SH1:250 TIRANE 2024	FLETA KUB004 FORMAT A3
				Ark. Eriald Novaku Elek. Hajdar Kurti Top.Kujtim Canameti	Gjeo.Shkelzen Qoka Hidr.Anisa Zaka Ing.Erindi Gjoka		



AUTORITETI KONTRAKTOR CONTRACTING AUTHORITY  FONDI SHQIPTAR I ZHVILLIMIT ALBANIAN DEVELOPMENT FUND Albanian Development Fund	OBJEKTI: "TRANSFORMIMI URBAN NE HAPESIRA PUBLIKE KRYESORE RAJONI 2" PROJEKT-ZBATIMI "BULEVARDI I DIBRES"	PLANIMETRIA E K.U.B TRANSPORT HIGHWAY CONSULTING  PROJEKTIM DESIGN SUPERVISION KOLAUDIM NIPT K 51428048 I BOE "ERALD - G" SH.P.K & "T.H.C" SH.P.K	DREJTUES PROJEKTI Ing.Gezim Islami	PROJEKTUES		SHKALLA SH1:250 TIRANE 2024	FLETA KUB005 FORMAT A3
				Ark. Eriald Novaku	Gjeo.Shkelzen Qoka		
				Elek. Hajdar Kurti	Hidr.Anisa Zaka		
	Top.Kujtim Canameti	Ing.Erindi Gjoka					



AUTORITETI KONTRAKTOR
CONTRACTING AUTHORITY

FONDI SHQIPTAR I ZHVILLIMIT
ALBANIAN DEVELOPMENT FUND
Albanian Development Fund

OBJEKTI:
"TRANSFORMIMI URBAN NE HAPESIRA
PUBLIKE KRYESORE RAJONI 2"
PROJEKT-ZBATIMI "BULEVARDI I DIBRES"

PLANIMETRIA E K.U.B
TRANSPORT HIGHWAY CONSULTING

PROJEKTIM DESIGN
SUPERVISION KOLAUDIM

NIPT K 51428048 I
BOE "ERALD - G" SH.P.K & "T.H.C" SH.P.K

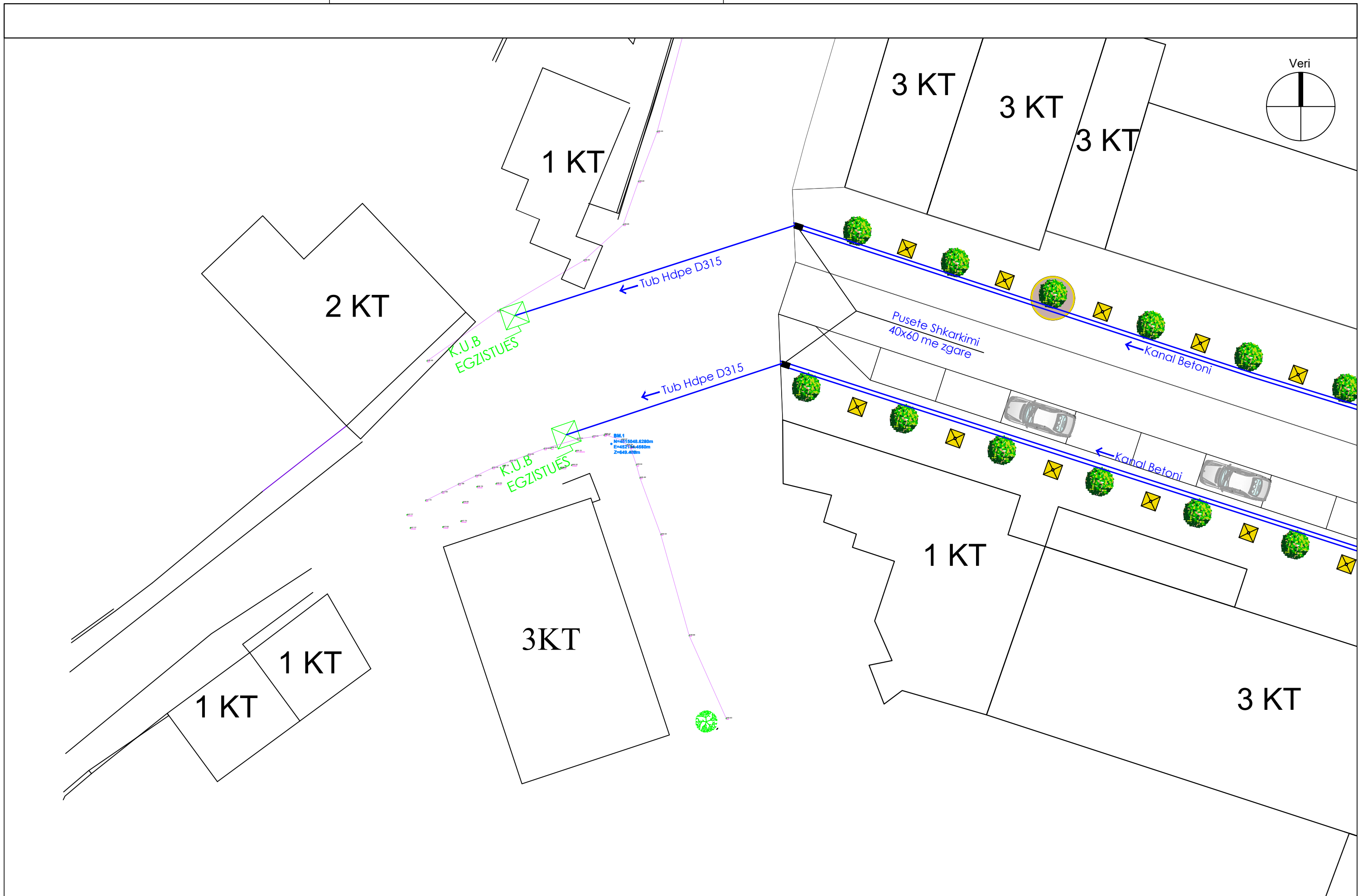
Tel/Fax: +355 42 320 290
Cel: +355 69 4014055
E-mail: thcalb@yahoo.com

DREJTUES PROJEKTI
Ing.Gezim Islami

PROJEKTUES

Ark. Eriald Novaku	Gjeo.Shkelzen Qoka
Elek. Hajdar Kurti	Hidr.Anisa Zaka
Top.Kujtim Canameti	Ing.Erindi Gjoka

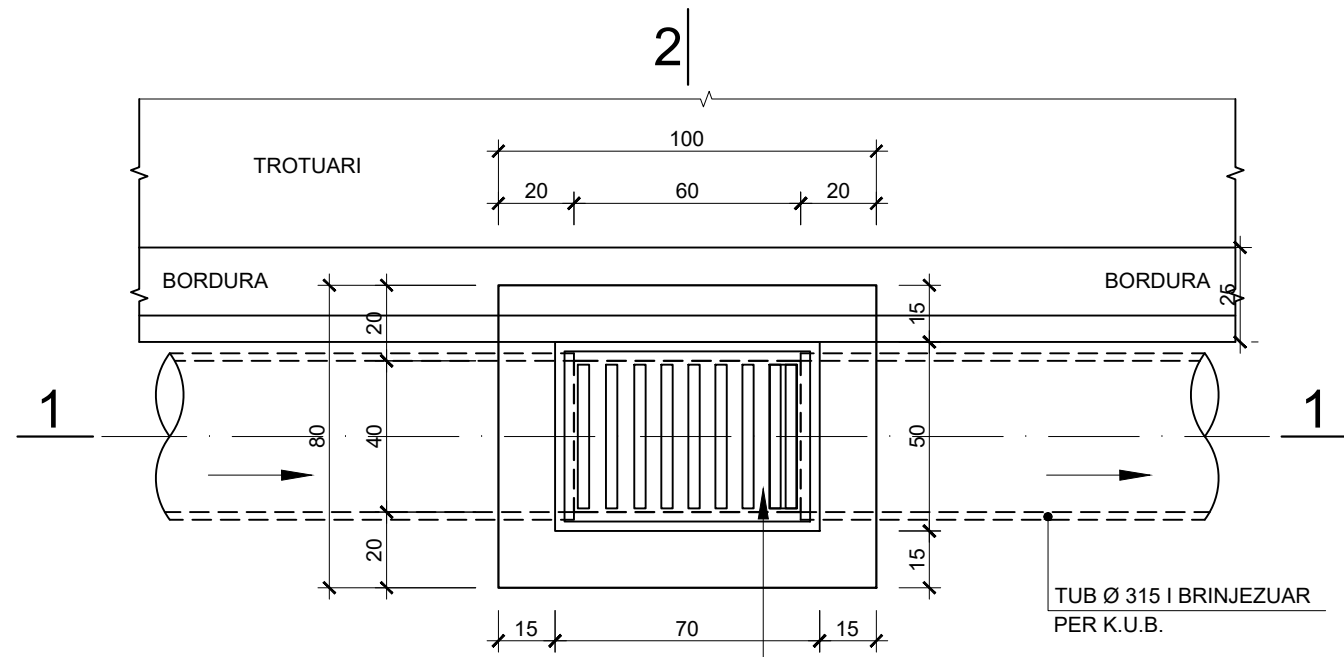
SHKALLA	FLETA
SH1:250	KUB006
TIRANE 2024	FORMAT A3



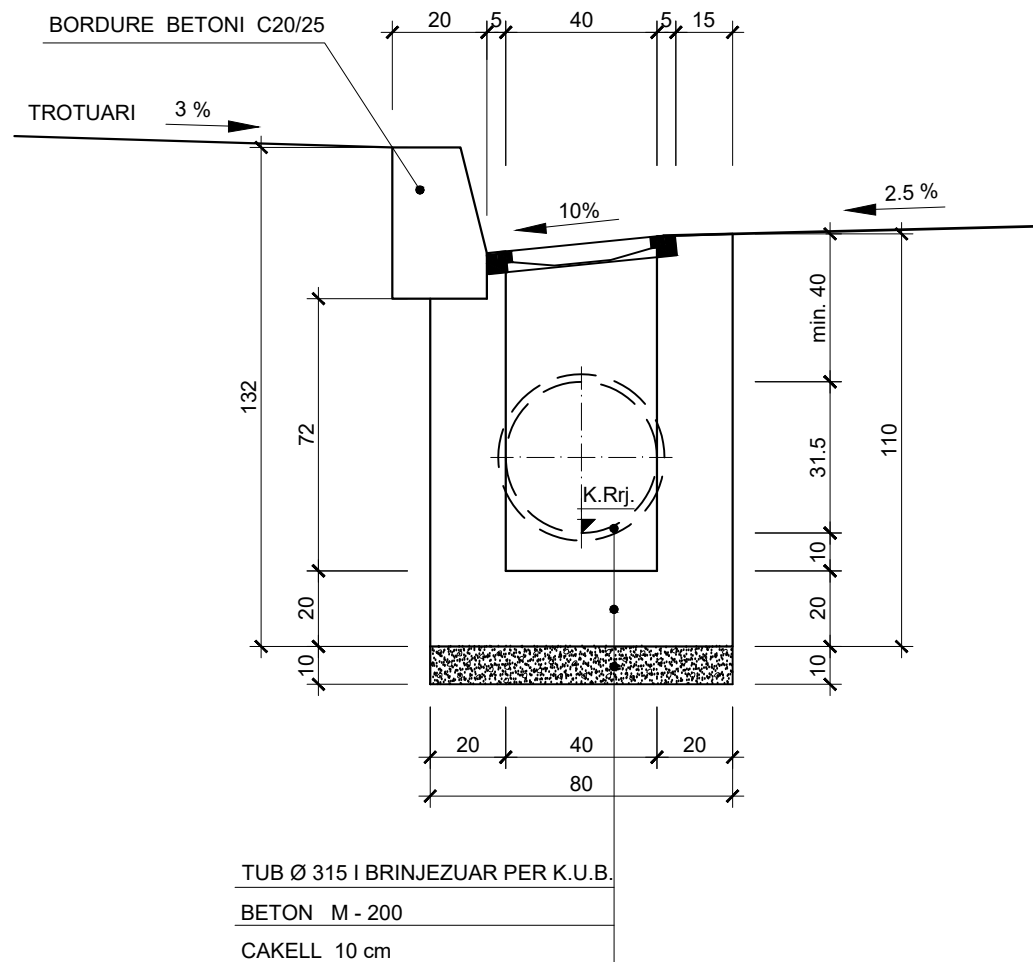
AUTORITETI KONTRAKTOR CONTRACTING AUTHORITY  FONDI SHQIPTAR I ZHVILLIMIT ALBANIAN DEVELOPMENT FUND Albanian Development Fund	OBJEKTI: "TRANSFORMIMI URBAN NE HAPESIRA PUBLIKE KRYESORE RAJONI 2" PROJEKT-ZBATIMI "BULEVARDI I DIBRES"	PLANIMETRIA E K.U.B TRANSPORT HIGHWAY CONSULTING  Tel/Fax: +355 42 320 290 Cel: +355 69 4014055 E-mail: thcalb@yahoo.com NIPT K 51428048 I BOE "ERALD - G" SH.P.K & "T.H.C" SH.P.K		DREJTUES PROJEKTI Ing.Gezim Islami	PROJEKTUES		SHKALLA SH1:250 TIRANE 2024	FLETA KUB007 FORMAT A3
		Ark. Eriald Novaku	Gjeo.Shkelzen Qoka					
		Elek. Hajdar Kurti	Hidr.Anisa Zaka					
Top.Kujtim Canameti	Ing.Erindi Gjoka							

PUSETE SHKARKIMI BETONI 40x60 cm ME ZGARE

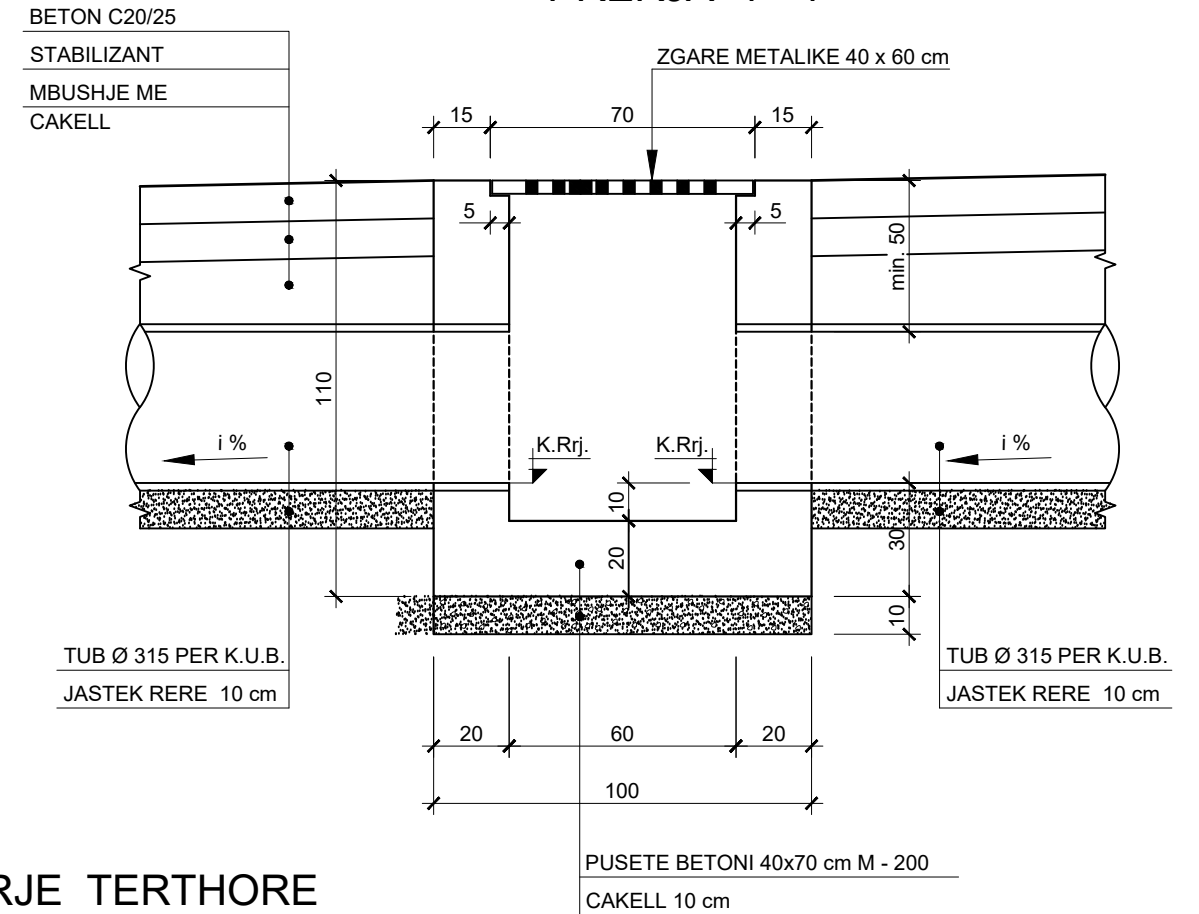
PLANIMETRIA



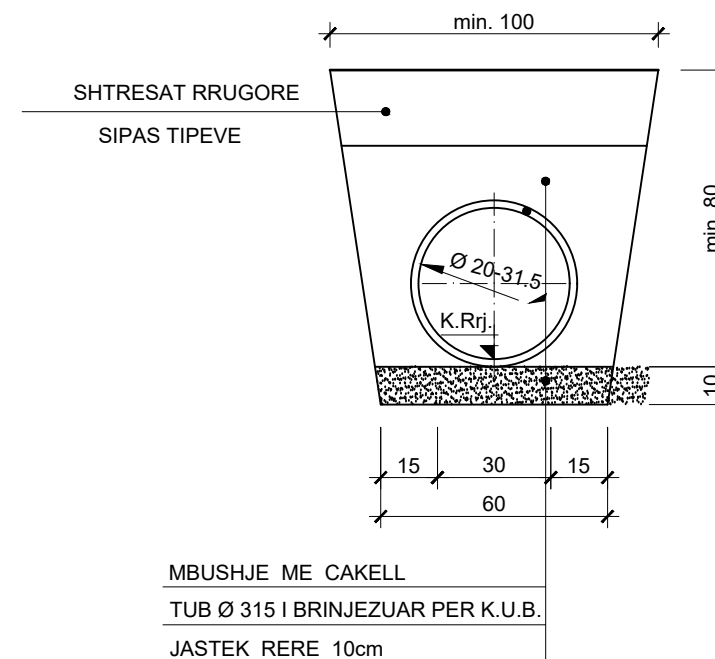
PRERJA 2 - 2



PRERJA 1 - 1



PRERJE TERTHORE (TUBI HDPE DN 315 mm)



<p>AUTORITETI KONTRAKTOR CONTRACTING AUTHORITY</p> <p>FONDI SHQIPTAR I ZHVILLIMIT ALBANIAN DEVELOPMENT FUND Albanian Development Fund</p>	<p>OBJEKTI: "TRANSFORMIMI URBAN NE HAPESIRA PUBLIKE KRYESORE RAJONI 2" PROJEKT-ZBATIMI "BULEVARDI I DIBRES"</p>	<p>DETAJ PUSETE K.U.B.</p> <p>TRANSPORT HIGHWAY CONSULTING Tel/Fax: +355 42 320 290 Cel: +355 69 4014055 E-mail: thcalb@yahoo.com NIPT K 51428048 I BOE "ERALD - G" SH.P.K & "T.H.C" SH.P.K</p>	<p>DREJTUES PROJEKTI Ing.Gezim Islami</p>	<p>PROJEKTUES</p>		<p>SHKALLA TIRANE 2024</p>	<p>FLETA KUB008 FORMAT A3</p>
				<p>Ark. Eriald Novaku</p>	<p>Gjeo.Shkelzen Qoka</p>		
				<p>Elek. Hajdar Kurti</p>	<p>Hidr.Anisa Zaka</p>		
				<p>Top.Kujtim Canameti</p>	<p>Ing.Erindi Gjoka</p>		