



PROJEKTUES (DESIGN TEAM)	
N.4497/7	
d&c partners <small>design & consulting engineers</small>	
Local Engineering Office (LOC)	Firma: Lexoj dhe aprovoj
Studio Lokale Inxhinjerike (VEND)	

TITULLI I VIZATIMIT (DRAWING TITLE)	
RILEVIMI TOPOGRAFIK (TOPOGRAPHICAL SURVEY)	

KLIENT: BASHKIA VLORE	
Object	PROJEKT ZBATIMI
VAZHDIMI I RRUGES NE PLAZHIN E VJETER, VLORE	

DATA (DATE)	PROJEKTUES (DESIGN TEAM)
GUSHT 2024 (AUGUST 2024)	"D&C PARTNERS"
FAZA (PHASE)	SKEDARI DWG (DWG FILE)
PROJEKT-ZBATIMI	PROPOSED DESIGN.DWG

SHKALLA (SCALE)	NR. I VIZATIMIT (DRAWING NO.)
1:750	No. - 00



- LEGJENDE:**
1. HYRJA PER NE KANTIER
 2. MAKINERI
 3. KABINA E ROJES
 4. TUALETE
 5. KONTENIER QE DO TE SHERBEJE SI ZYRE
 6. VEND DEPOZITIMI I MATERIALEVE

PROJEKTUES (DESIGN TEAM)
 N.4497/7
d&c partners
design & consulting engineers
 Local Engineering Office (LOC)
 Studio Lokale Inzhinjerike (VEND)
 Firma:
 Lexoj dhe aprovoj

TITULLI I VIZATIMIT (DRAWING TITLE)
PLANI I ORGANIZIMIT TE PUNIMEVE
 (WORK ORGANIZATION PLAN)

KLIENT: BASHKIA VLORE
 Object: **PROJEKT ZBATIMI**
 VAZHDIMI I RRUGES NE PLAZHIN E VJETER, VLORE

DATA (DATE)	PROJEKTUES (DESIGN TEAM)
GUSHT 2024 (AUGUST 2024)	"D&C PARTNERS"
FAZA (PHASE)	SKEDARI DWG (DWG FILE)
PROJEKT-ZBATIMI	PROPOSED DESIGN.DWG

SHKALLA (SCALE)	NR. I VIZATIMIT (DRAWING NO.)
1:500	No. - 00



PROJEKTUES (DESIGN TEAM)
 N.4497/7
d&c partners
design & consulting engineers
 Local Engineering Office (LOC)
 Studio Lokale Inzhinjerike (VEND)
 Firma:
 Lexoj dhe aprovoj

TITULLI I VIZATIMIT (DRAWING TITLE)
PLANIMETRIA E PERGJITHSHME
(GENERAL PLAN)

KLIENT: BASHKIA VLORE
 Object: **PROJEKT ZBATIMI**
 VAZHIMI I RRUGES NE PLAZHIN E
 VJETER, VLORE

DATA (DATE)	PROJEKTUES (DESIGN TEAM)
GUSHT 2024 (AUGUST 2024)	"D&C PARTNERS"
FAZA (PHASE)	SKEDARI DWG (DWG FILE)
PROJEKT-ZBATIMI	PROPOSED DESIGN.DWG

SHKALLA (SCALE)	NR. I VIZATIMIT (DRAWING NO.)
1:750	No. - 01



PROJEKTUES (DESIGN TEAM)

N.4497/7

d&c partners
design & consulting engineers

Local Engineering Office (LOC)

Studio Lokale Inxhinjerieke (VEND)

Firma:
Lexoj dhe aprovoj

TITULLI I VIZATIMIT (DRAWING TITLE)

PLANIMETRIA E PERGJITHSHME
(GENERAL PLAN)

KLIENT: BASHKIA VLORE

Object: **PROJEKT ZBATIMI**

VAZHDIMI I RRUGES NE PLAZHIN E
VJETER, VLORE

DATA (DATE)	PROJEKTUES (DESIGN TEAM)
GUSHT 2024 (AUGUST 2024)	"D&C PARTNERS"
FAZA (PHASE)	SKEDARI DWG (DWG FILE)
PROJEKT-ZBATIMI	PROPOSED DESIGN.DWG

SHKALLA (SCALE)	NR. I VIZATIMIT (DRAWING NO.)
1:500	No. - 02



PROJEKTUES (DESIGN TEAM)	
N.4497/7	
d&c partners <small>design & consulting engineers</small>	
Local Engineering Office (LOC)	Firma: Lexoj dhe aprovoj
Studio Lokale Inxhinjerike (VEND)	

TITULLI I VIZATIMIT (DRAWING TITLE)	
PLANIMETRIA E PERGJITHSHME (GENERAL PLAN)	

KLIENT: BASHKIA VLORE	
Object:	PROJEKT ZBATIMI
VAZHDMI I RRUGES NE PLAZHIN E VJETER, VLORE	

DATA (DATE)	PROJEKTUES (DESIGN TEAM)
GUSHT 2024 (AUGUST 2024)	"D&C PARTNERS"
FAZA (PHASE)	SKEDARI DWG (DWG FILE)
PROJEKT-ZBATIMI	PROPOSED DESIGN.DWG

SHKALLA (SCALE)	NR. I VIZATIMIT (DRAWING NO.)
1:500	No. - 03



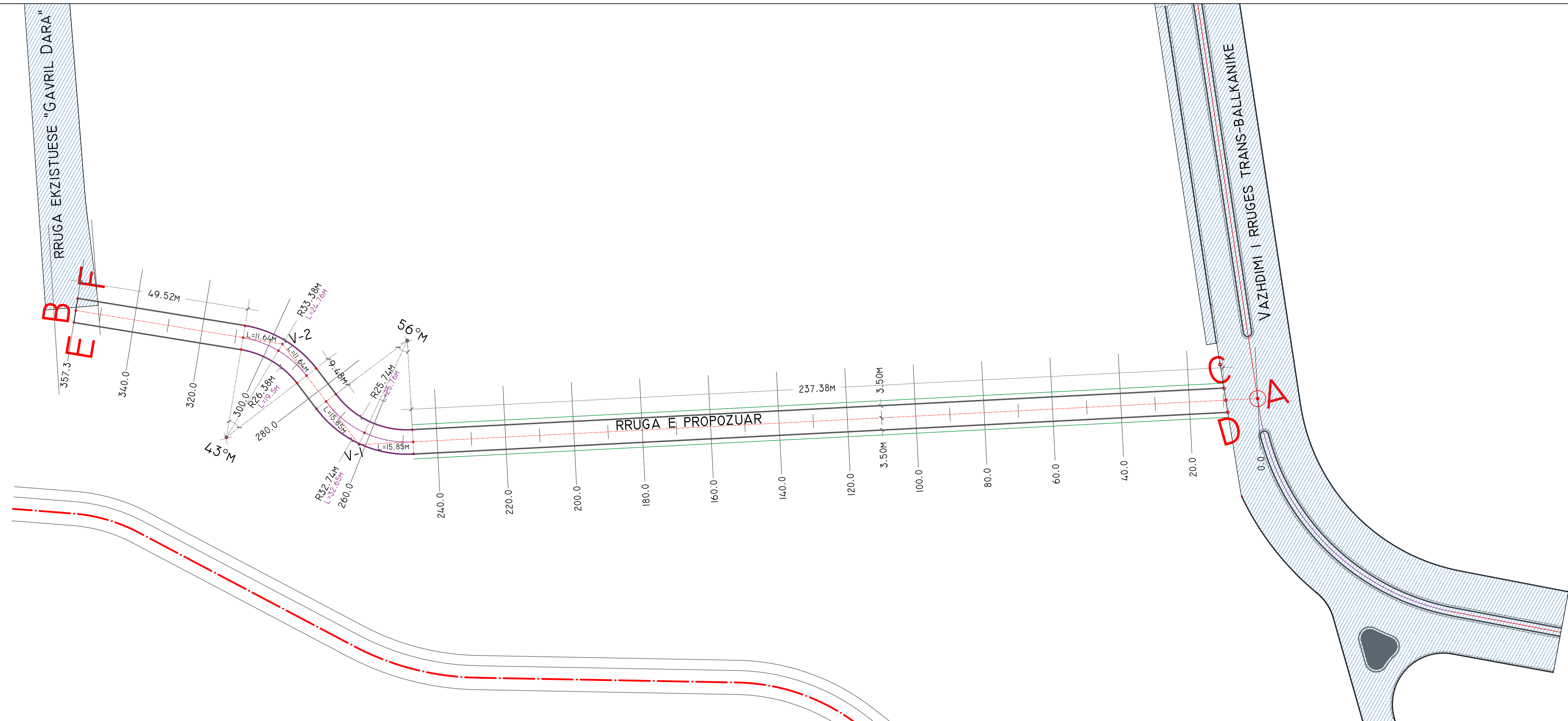
PROJEKTUES (DESIGN TEAM)
d&c partners N.4497/7
design & consulting engineers
 Local Engineering Office (LOC)
 Studio Lokale Inzhinjerike (VEND)
 Firma:
 Lexoj dhe aprovoj

TITULLI I VIZATIMIT (DRAWING TITLE)
**PLANIMETRIA E PERGJITHSHME
 KOORDINATAT
 (GENERAL PLAN, COORDINATES)**

KLIENT: BASHKIA VLORE
 Object: **PROJEKT ZBATIMI**
 VAZHIMI I RRUGES NE PLAZHIN E
 VJETER, VLORE

DATA (DATE)	PROJEKTUES (DESIGN TEAM)
GUSHT 2024 (AUGUST 2024)	"D&C PARTNERS"
FAZA (PHASE)	SKEDARI DWG (DWG FILE)
PROJEKT-ZBATIMI	PROPOSED DESIGN.DWG

SHKALLA (SCALE)	NR. I VIZATIMIT (DRAWING NO.)
1:750	No. - 04



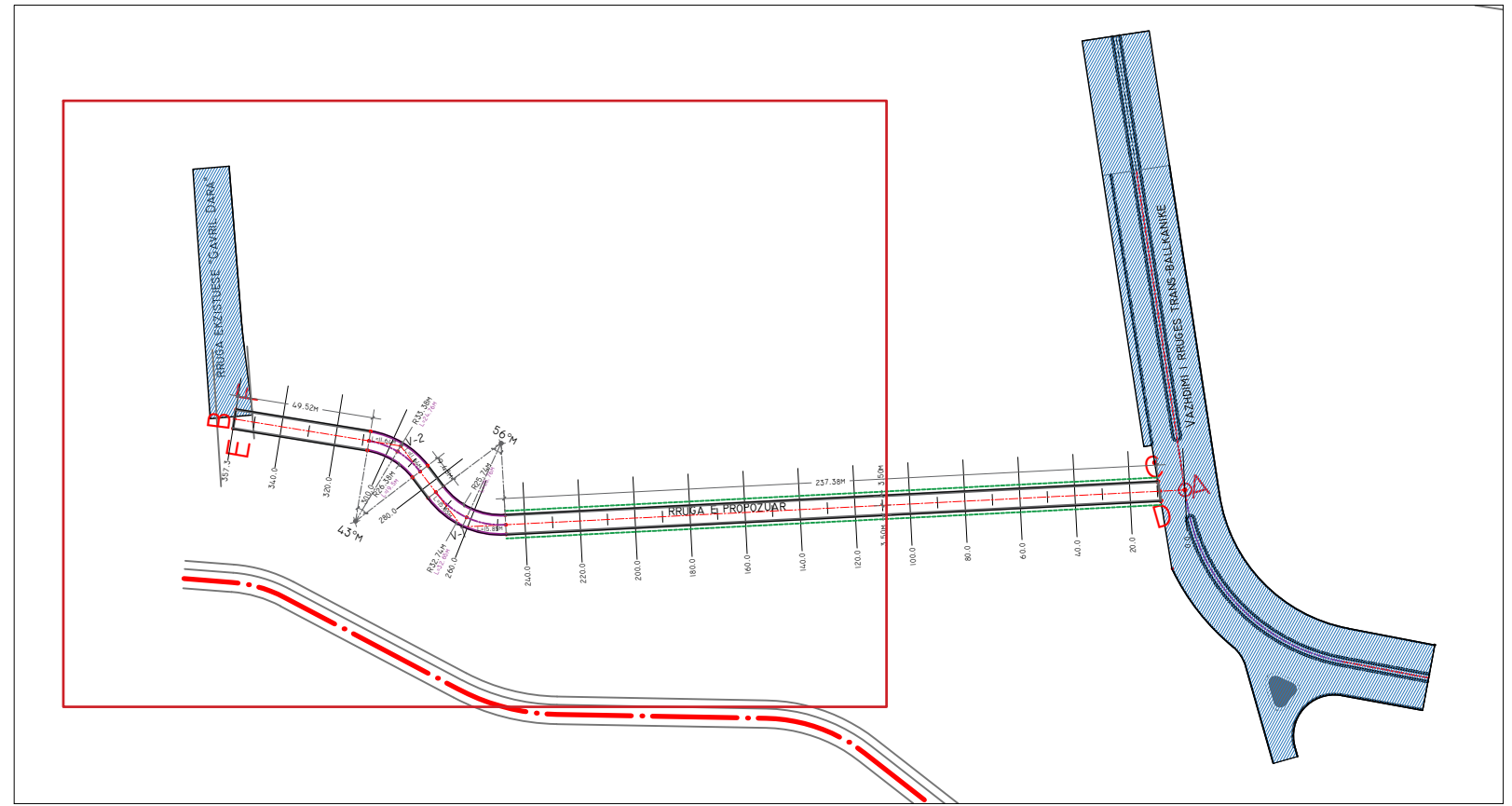
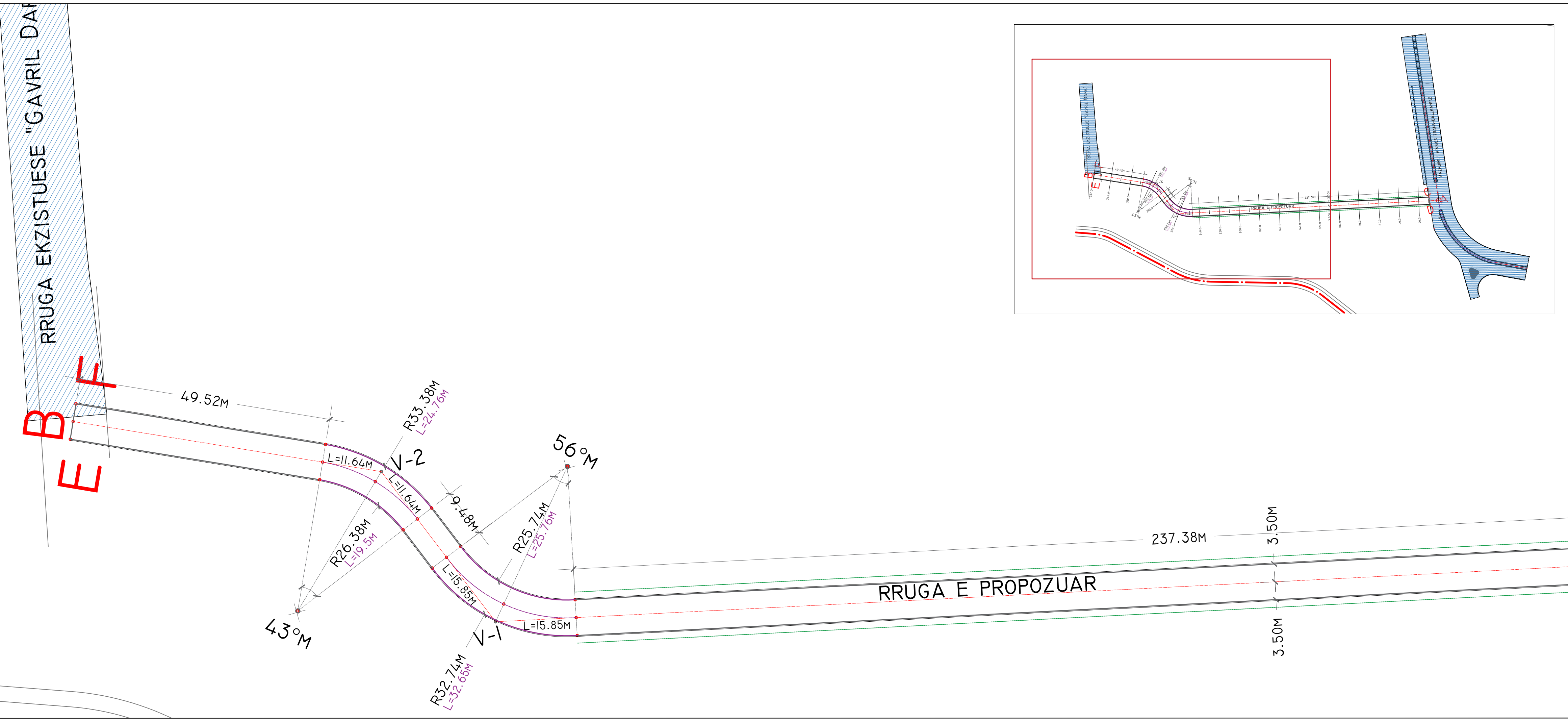
PROJEKTUES (DESIGN TEAM)	
N.4497/7	
d&c partners <small>design & consulting engineers</small>	
Local Engineering Office (LOC)	Firma: (LOC)
Studio Lokale Inzhinjerike (VEND)	Lexoj dhe aprovoj

TITULLI I VIZATIMIT (DRAWING TITLE)	
PLANI I VERTEKSEVE (VERTEXES PLAN)	

KLIENT: BASHKIA VLORE	
Object	PROJEKT ZBATIMI
VAZHDIMI I RRUGES NE PLAZHIN E VJETER, VLORE	

DATA (DATE)	PROJEKTUES (DESIGN TEAM)
GUSHT 2024 (AUGUST 2024)	"D&C PARTNERS"
FAZA (PHASE)	SKEDARI DWG (DWG FILE)
PROJEKT-ZBATIMI	PROPOSED DESIGN.DWG

SHKALLA (SCALE)	NR. I VIZATIMIT (DRAWING NO.)
1:750	No. - 05



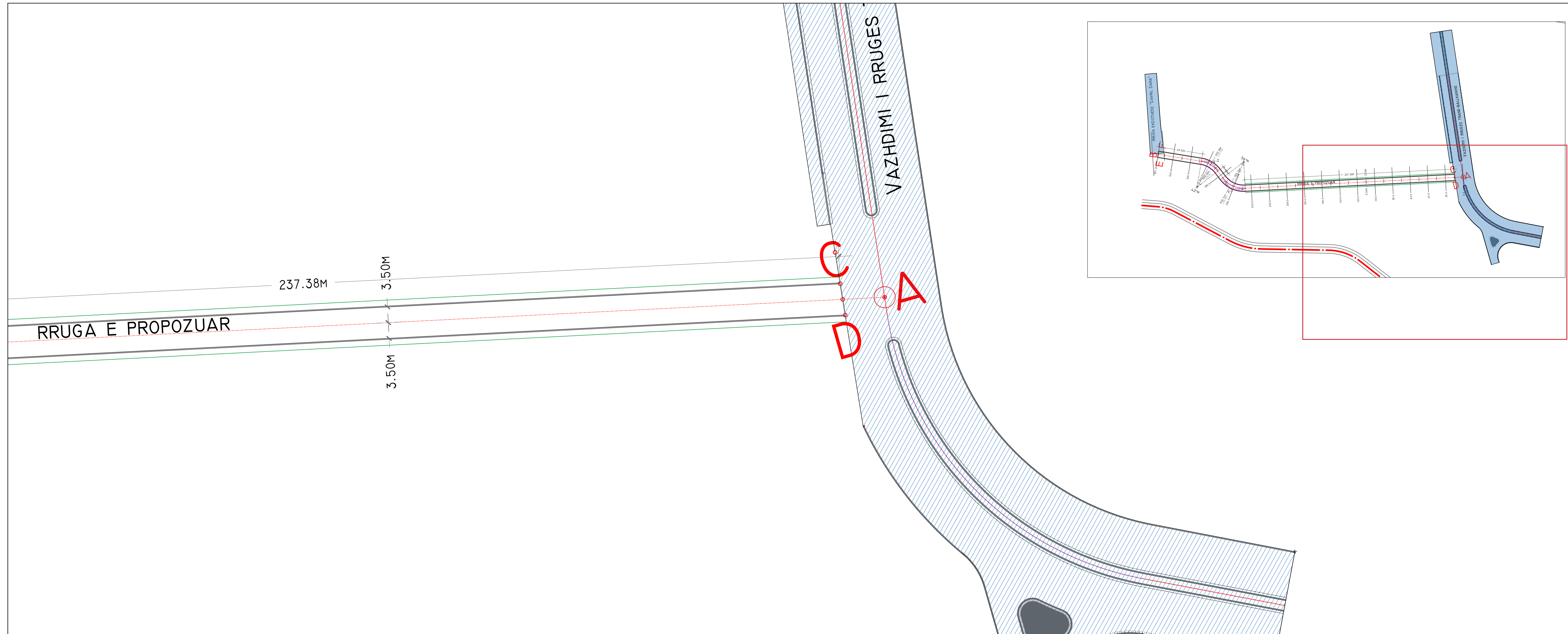
PROJEKTUES (DESIGN TEAM)	
N.4497/7	
d&c partners <small>design & consulting engineers</small>	
Local Engineering Office (LOC)	Firma: Lexoj dhe aprovoj
Studio Lokale Inzhinjerike (VEND)	

TITULLI I VIZATIMIT (DRAWING TITLE)	
PLANI I VERTEKSEVE (VERTEXES PLAN)	

KLIENT: BASHKIA VLORE	
Object	PROJEKT ZBATIMI
VAZHDIMI I RRUGES NE PLAZHIN E VJETER, VLORE	

DATA (DATE)	PROJEKTUES (DESIGN TEAM)
GUSHT 2024 (AUGUST 2024)	"D&C PARTNERS"
FAZA (PHASE)	SKEDARI DWG (DWG FILE)
PROJEKT-ZBATIMI	PROPOSED DESIGN.DWG

SHKALLA (SCALE)	NR. I VIZATIMIT (DRAWING NO.)
1:500	No. - 06



PROJEKTUES (DESIGN TEAM)
d&c partners N.4497/7
design & consulting engineers
 Local Engineering Office (LOC)
 Studio Lokale Inzhinjerike (VEND)
 Firma:
 Lexoj dhe aprovoj

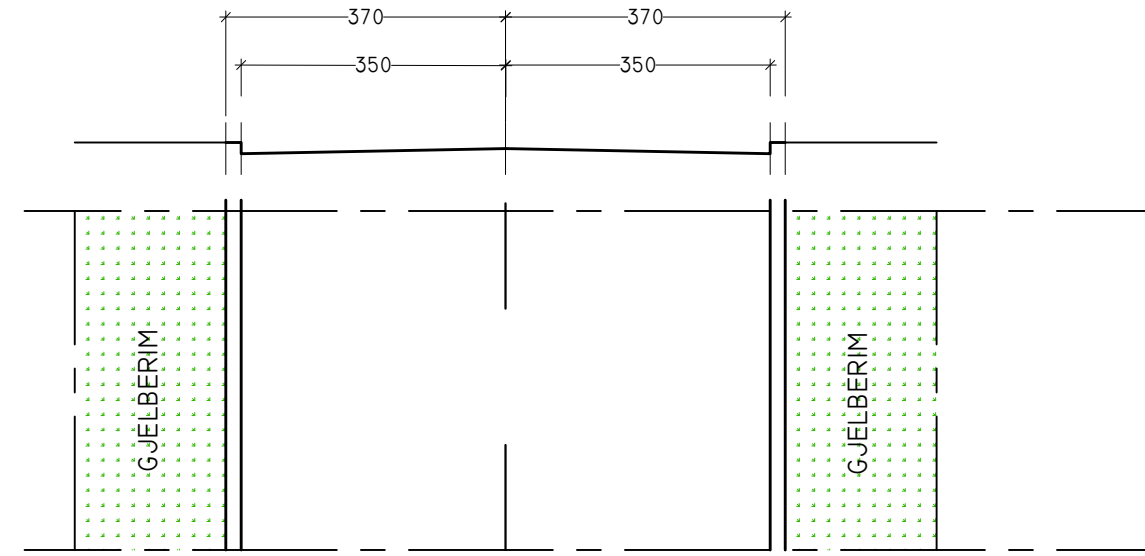
TITULLI I VIZATIMIT (DRAWING TITLE)
PLANI I VERTEKSEVE
(VERTEXES PLAN)

KLIENT: BASHKIA VLORE
 Object: **PROJEKT ZBATIMI**
 VAZHDIMI I RRUGES NE PLAZHIN E
 VJETER, VLORE

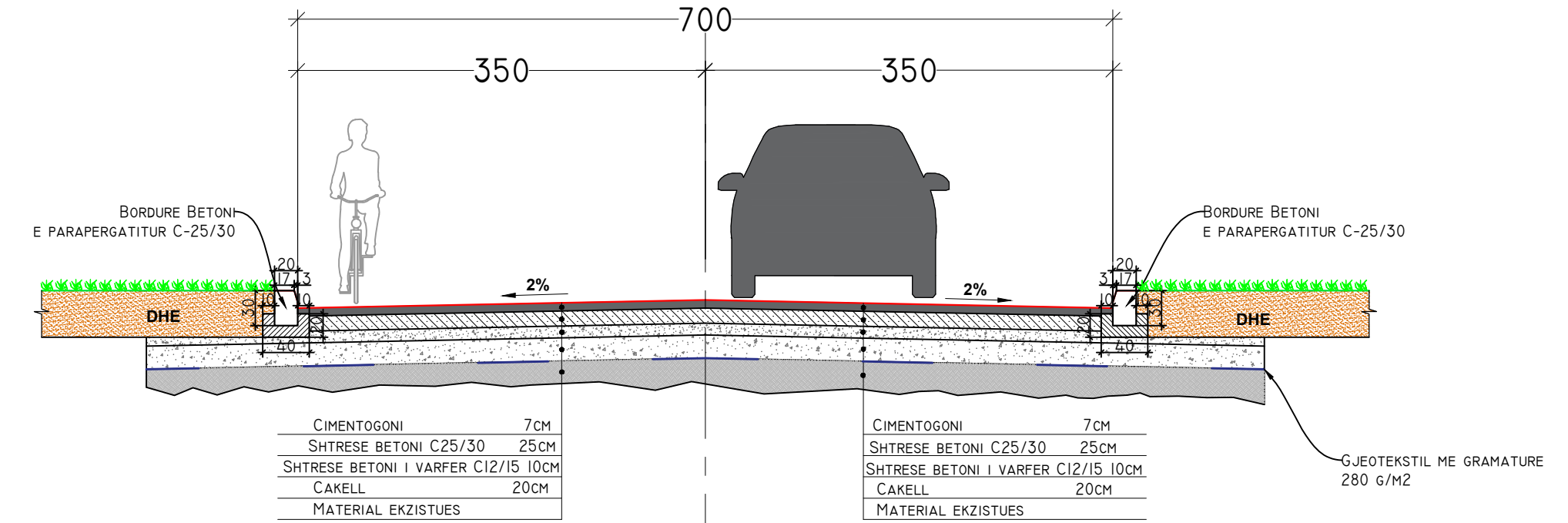
DATA (DATE)	PROJEKTUES (DESIGN TEAM)
GUSHT 2024 (AUGUST 2024)	"D&C PARTNERS"
FAZA (PHASE)	SKEDARI DWG (DWG FILE)
PROJEKT-ZBATIMI	PROPOSED DESIGN.DWG

SHKALLA (SCALE)	NR. I VIZATIMIT (DRAWING NO.)
1:500	No. - 07

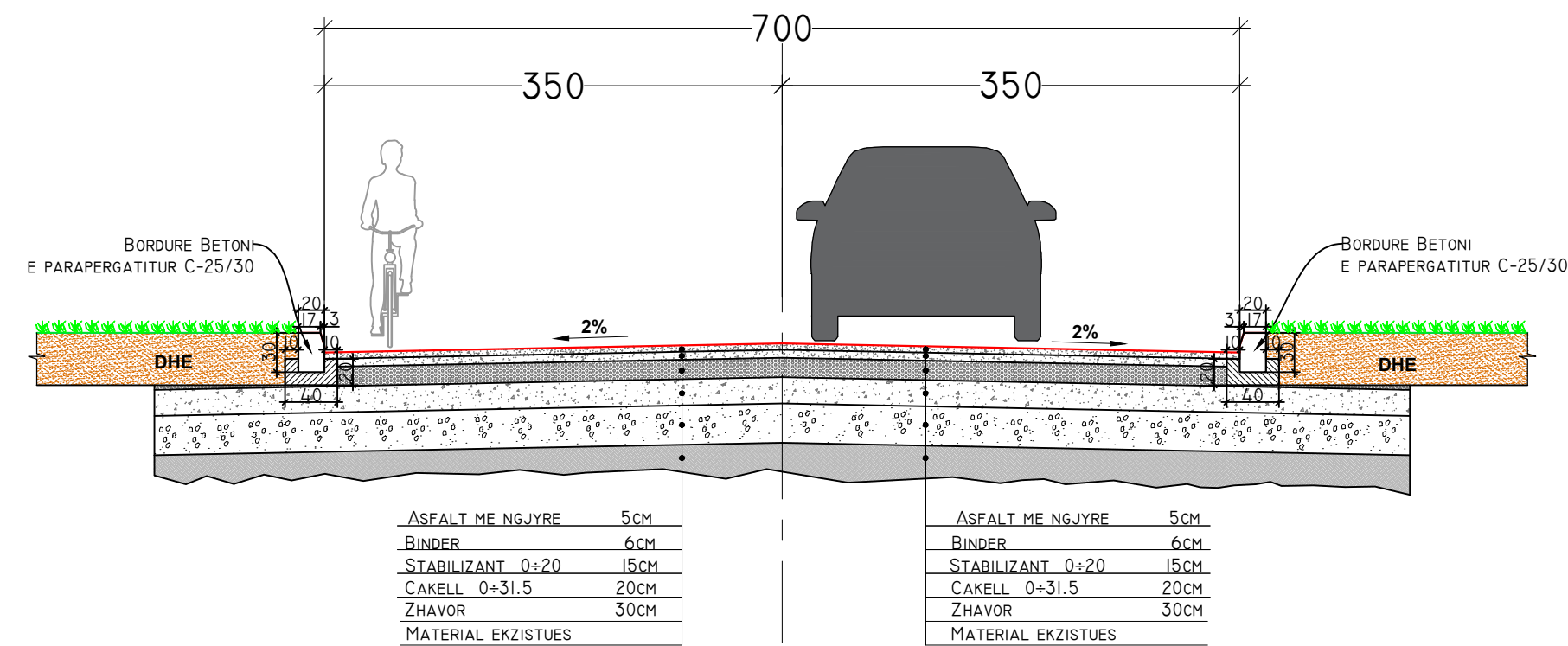
SEKSION TERTHOR TIP I SH.1:100



SEKSION TERTHOR TIP (VARIANTI 2) SH.1:50

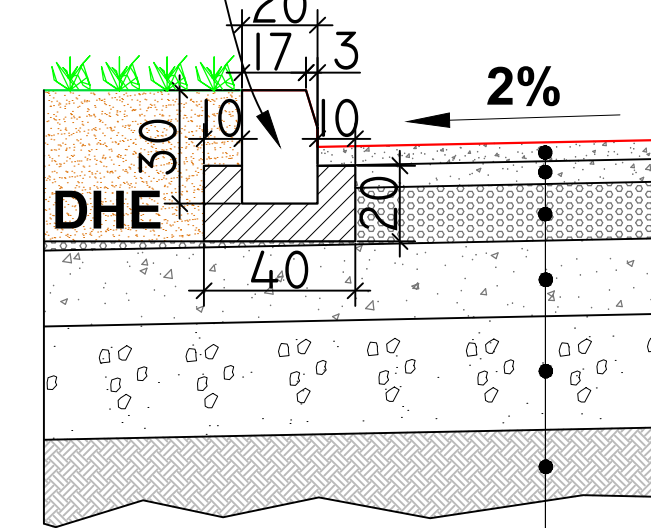


SEKSION TERTHOR TIP (VARIANTI I) SH.1:50



BORDURE BETONI E PARAPERGATITUR C-25/30

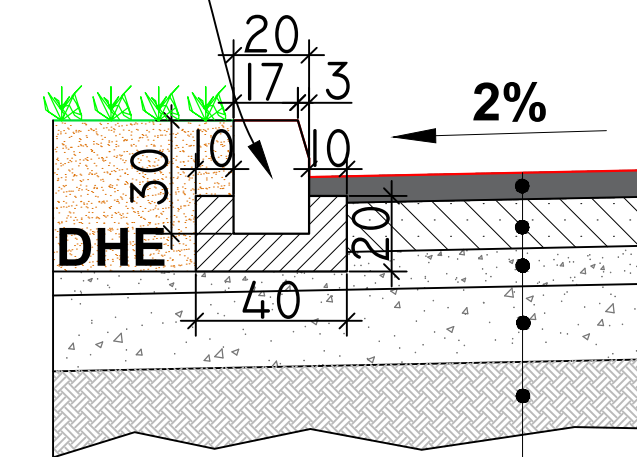
DETAJ "A"



ASFALT ME NGJYRE	5CM
BINDER	6CM
STABILIZANT 0÷20	15CM
CAKELL 0÷31.5	20CM
ZHAVOR	30CM
MATERIAL EKZISTUES	

BORDURE BETONI E PARAPERGATITUR C-25/30

DETAJ "B"



CIMENTOGONI	7CM
SHTRESE BETONI C25/30	25CM
SHTRESE BETONI I VARFER C12/15	10CM
CAKELL	20CM
MATERIAL EKZISTUES	

PROJEKTUES (DESIGN TEAM)

N.4497/7
d&c partners
design & consulting engineers
 Local Engineering Office (LOC)
 Studio Lokale Inzhinjerike (VEND)
 Firma:
 Lexoj dhe aprovoj

TITULLI I VIZATIMIT (DRAWING TITLE)

PROFIL TIP
(TYPICAL PROFILE)

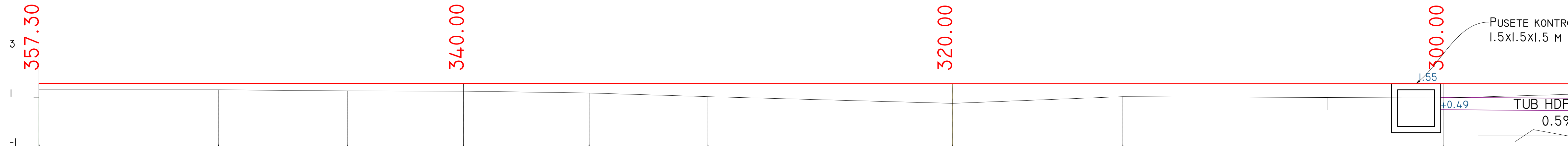
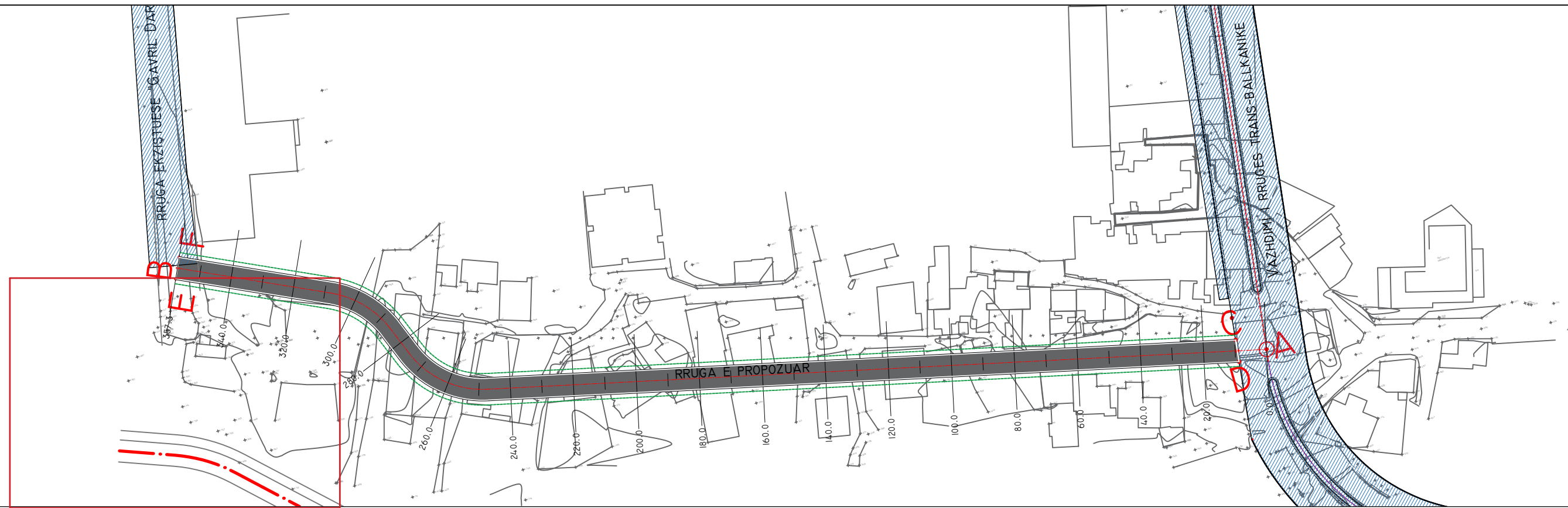
KLIENT: BASHKIA VLORE

Object: PROJEKT ZBATIMI

VAZHDIMI I RRUGES NE PLAZHIN E VJETER, VLORE

DATA (DATE)	PROJEKTUES (DESIGN TEAM)
GUSHT 2024 (AUGUST 2024)	"D&C PARTNERS"
FAZA (PHASE)	SKEDARI DWG (DWG FILE)
PROJEKT-ZBATIMI	PROPOSED DESIGN.DWG

SHKALLA (SCALE)	NR. I VIZATIMIT (DRAWING NO.)
1:100; 1:50	No. - 01



KILOMETRAZHI	357.3	349.92	344.68	340	334.82	329.98	320.00	313.06	300.00
KUOTAT E TOKES	1.30	1.30	1.26	1.25	1.17	1.02	0.75	1.03	0.97
DISTANCAT PJESORE		9.96	5.24	4.73	5.13	4.85	9.98	6.94	13.06
PJERRSIA		0.01	0.88	0.17	1.50	3.05	10.28	-14.78	0.43
DIFERENCAT		0.00	0.05	0.01	0.08	0.15	1.02	-1.03	0.06
KUOTA E PROJEKTIT	1.57			1.57			1.55		1.55
PJESORE E PROJEKTIT		17.30				20.00			20.00

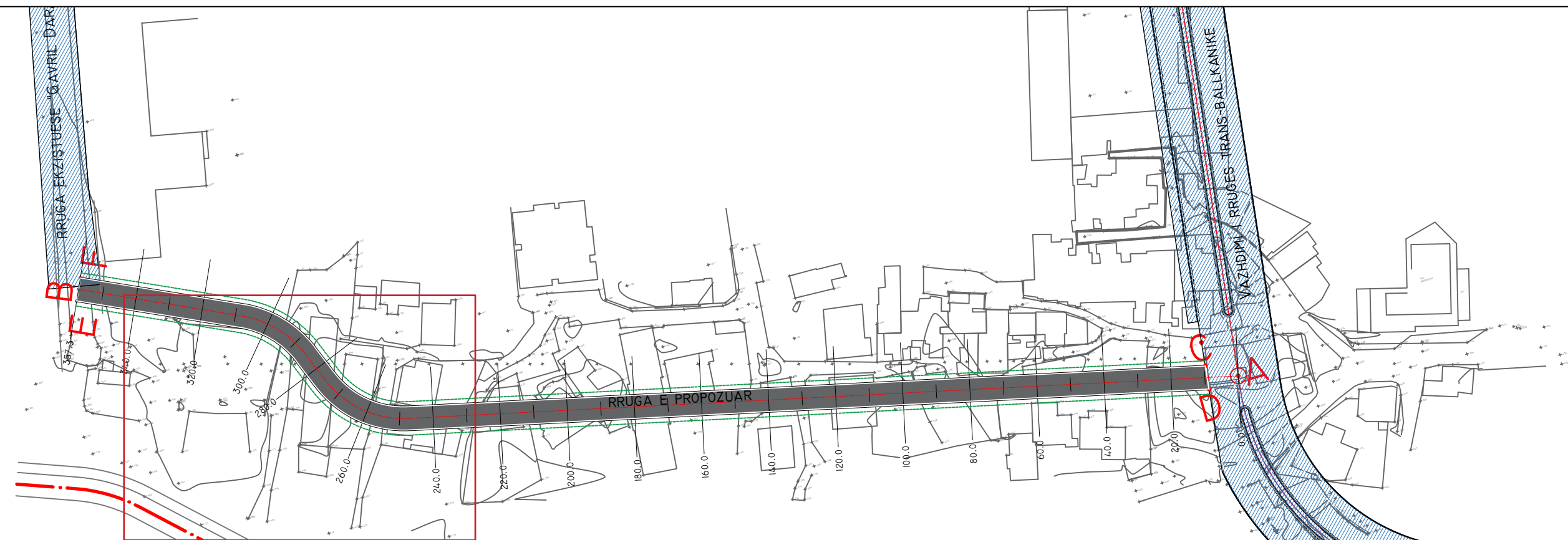
PROJEKTUES (DESIGN TEAM)
d&c partners N.4497/7
design & consulting engineers
 Local Engineering Office (LOC)
 Studio Lokale Inxhinjerike (VEND)
 Firma:
 Lexoj dhe aprovoj

TITULLI I VIZATIMIT (DRAWING TITLE)
PROFILI GJATESORE
 (LONGITUDINAL PROFILE)

KLIENT: BASHKIA VLORE
 Object: **PROJEKT ZBATIMI**
 VAZHDMI I RRUGES NE PLAZHIN E VJETER, VLORE

DATA (DATE)	PROJEKTUES (DESIGN TEAM)
Gusht 2024 (AUGUST 2024)	"D&C PARTNERS"
FAZA (PHASE)	SKEDARI DWG (DWG FILE)
PROJEKT-ZBATIMI	PROPOSED DESIGN.DWG

SHKALLA (SCALE)	NR. I VIZATIMIT (DRAWING NO.)
1:100	No. - 01



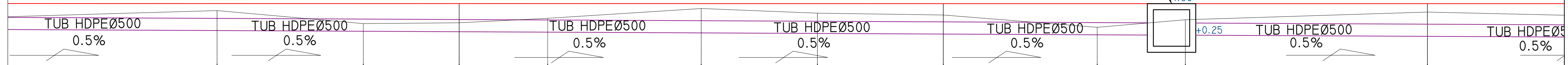
PUSETE KONTROLLI
1.5x1.5x1.5 M

280.00

260.00

PUSETE KONTROLLI
1.5x1.5x1.5 M

240.00



KILOMETRAZHI	290.00	283.96	280.00	276.34	270.00	265.20	260.00	253.64	250.00	240.00
KUOTAT E TOKES	1.26	0.72	0.76	0.94	1.35	1.16	1.08	0.57	0.89	1.20
DISTANCAT PJESORE	10.00	6.04	3.96	3.66	6.34	4.80	5.20	6.36	3.64	10.00
PJERRSIA	-2.91	8.87	-0.88	-5.00	-6.35	3.96	1.46	16.98	-24.31	-3.15
DIFERENCAT	-0.29	0.54	-0.04	-0.18	-0.40	0.19	0.08	1.08	-0.89	-0.31
KUOTA E PROJEKTIT			1.55				1.55			1.55
PJESORE E PROJEKTIT	20.00				20.00				20.00	

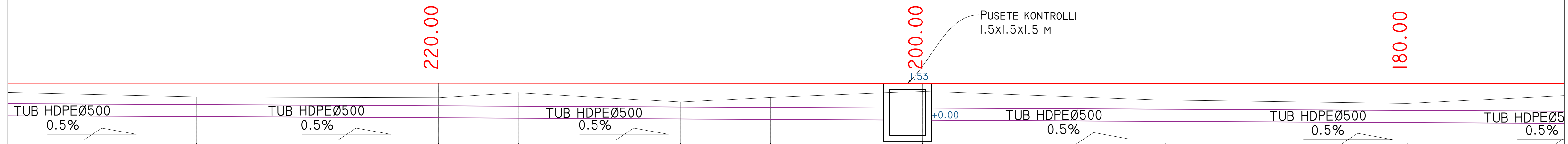
PROJEKTUES (DESIGN TEAM)
N.4497/7
d&c partners
design & consulting engineers
Local Engineering Office (LOC)
Studio Lokale Inxhinjerike (VEND)
Firma:
Lexoj dhe aprovoj

TITULLI I VIZATIMIT (DRAWING TITLE)
**PROFILI GJATESORE
(LONGITUDINAL PROFILE)**

KLIENT: BASHKIA VLORE
Object: **PROJEKT ZBATIMI**
VAZHDMI I RRUGES NE PLAZHIN E
VJETER, VLORE

DATA (DATE)	PROJEKTUES (DESIGN TEAM)
Gusht 2024 (AUGUST 2024)	"D&C PARTNERS"
FAZA (PHASE)	SKEDARI DWG (DWG FILE)
PROJEKT-ZBATIMI	PROPOSED DESIGN.DWG

SHKALLA (SCALE)	NR. I VIZATIMIT (DRAWING NO.)
1:100	No. - 02



KILOMETRAZI	230.00	220.00	216.71	210.00	206.29	200.00	190.00	180.00
KUOTAT E TOKES	0.97	0.94	1.14	0.76	0.95	1.20	0.84	0.70
DISTANCAT PJESORE	10.00	10.00	3.29	6.71	3.71	6.29	10.00	10.00
PJERRSIA	2.30	0.30	-5.96	5.60	-5.17	-3.95	3.60	1.40
DIFERENCAT	0.23	0.03	-0.20	0.38	-0.19	-0.25	0.36	0.14
KUOTA E PROJEKTIT		1.55				1.54		1.54
PJESORE E PROJEKTIT	20.00			20.00			20.00	

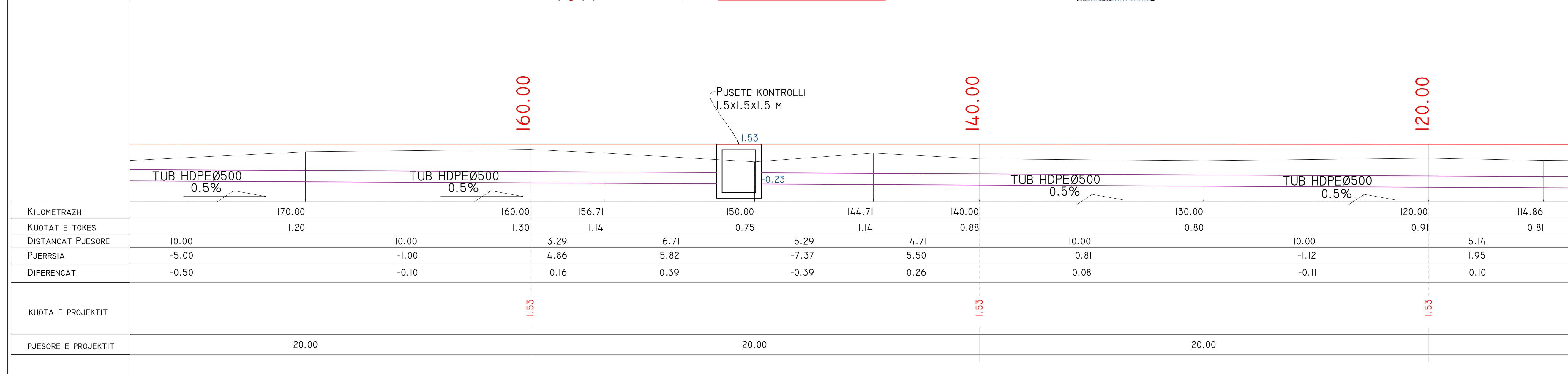
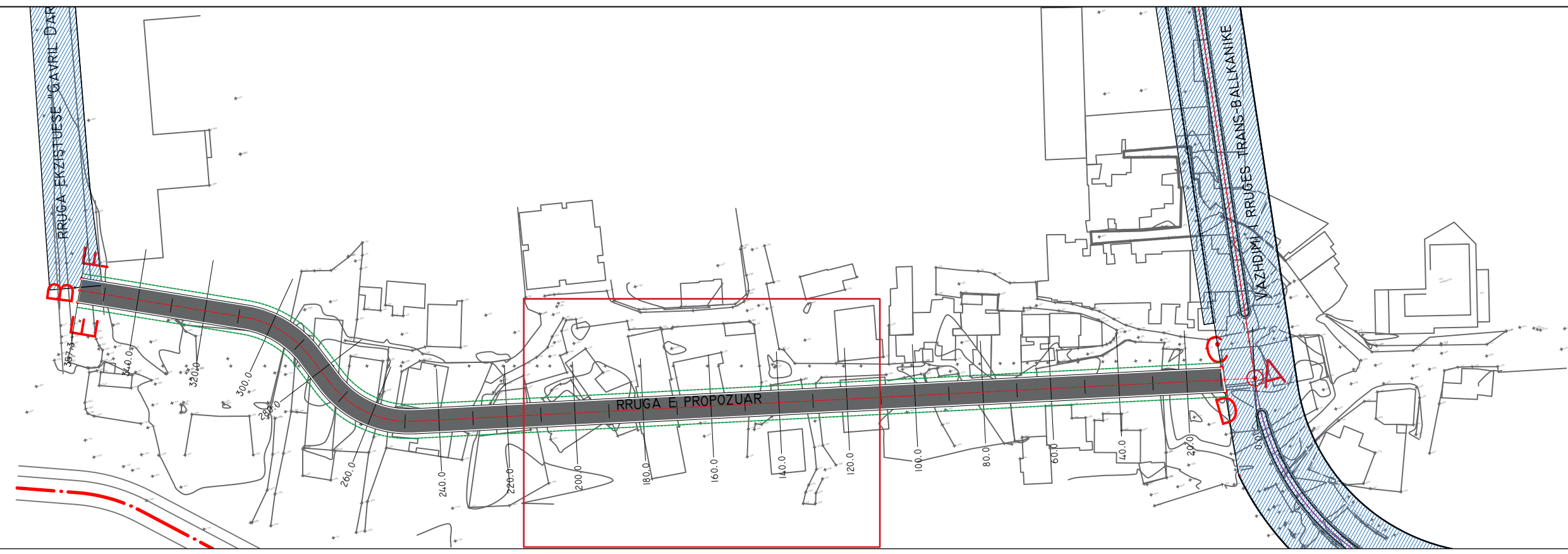
PROJEKTUES (DESIGN TEAM)
d&c partners N.4497/7
design & consulting engineers
 Local Engineering Office (LOC)
 Studio Lokale Inzhinjerike (VEND)
 Firma:
 Lexoj dhe aprovoj

TITULLI I VIZATIMIT (DRAWING TITLE)
PROFILI GJATESORE
 (LONGITUDINAL PROFILE)

KLIENT: BASHKIA VLORE
 Object: **PROJEKT ZBATIMI**
 VAZHDI/ RRUGES NE PLAZHIN E VJETER, VLORE

DATA (DATE)	PROJEKTUES (DESIGN TEAM)
GUSHT 2024 (AUGUST 2024)	"D&C PARTNERS"
FAZA (PHASE)	SKEDARI DWG (DWG FILE)
PROJEKT-ZBATIMI	PROPOSED DESIGN.DWG

SHKALLA (SCALE)	NR. I VIZATIMIT (DRAWING NO.)
1:100	No. - 03



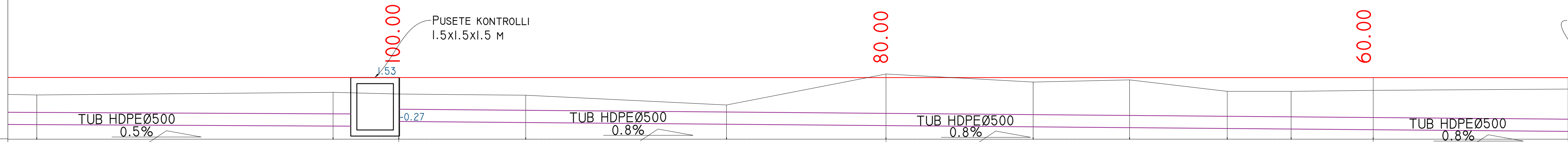
PROJEKTUES (DESIGN TEAM)
d&c partners N.4497/7
 design & consulting engineers
 Local Engineering Office (LOC)
 Studio Lokale Inzhinjerike (VEND)
 Firma:
 Lexoj dhe aprovoj

TITULLI I VIZATIMIT (DRAWING TITLE)
PROFILI GJATESORE
 (LONGITUDINAL PROFILE)

KLIENT: BASHKIA VLORE
 Object: **PROJEKT ZBATIMI**
 VAZHDIMI I RRUGES NE PLAZHIN E VJETER, VLORE

DATA (DATE)	PROJEKTUES (DESIGN TEAM)
GUSHT 2024 (AUGUST 2024)	"D&C PARTNERS"
FAZA (PHASE)	SKEDARI DWG (DWG FILE)
PROJEKT-ZBATIMI	PROPOSED DESIGN.DWG

SHKALLA (SCALE)	NR. I VIZATIMIT (DRAWING NO.)
1:100	No. - 04



KILOMETRAZI	114.86	102.70	100.00	94.79	86.55	80.00	73.96	70.00	65.99	63.37	60.00	58.00
KUOTAT E TOKES	0.81	0.92	0.85	0.80	0.40	1.67	1.34	1.43	0.96	0.96	1.00	1.00
DISTANCAT PJESORE	12.16	2.70	5.21	8.24	6.55	6.04	3.96	4.01	2.62	3.37	8.89	
PJERRSIA	-0.89	2.60	0.96	4.85	-19.40	5.46	-2.27	11.73	0.00	-1.19	-0.68	
DIFERENCAT	-0.11	0.07	0.05	0.40	-1.27	0.33	-0.09	0.47	0.00	-0.04	-0.06	
KUOTA E PROJEKTIT			1.53			1.52					1.52	
PJESORE E PROJEKTIT	20.00				20.00						20.00	

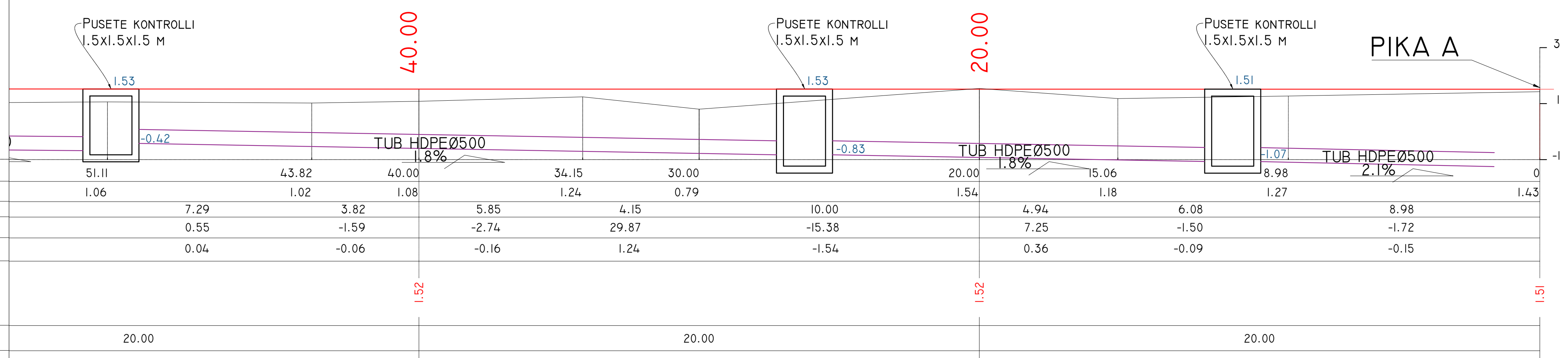
PROJEKTUES (DESIGN TEAM)
N.4497/7
d&c partners
design & consulting engineers
 Local Engineering Office (LOC)
 Studio Lokale Inzhinjerike (VEND)
 Firma:
 Lexoj dhe aprovoj

TITULLI I VIZATIMIT (DRAWING TITLE)
PROFILI GJATESORE
(LONGITUDINAL PROFILE)

KLIENT: BASHKIA VLORE
 Object: **PROJEKT ZBATIMI**
 VAZHDIMI I RRUGES NE PLAZHIN E VJETER, VLORE

DATA (DATE)	PROJEKTUES (DESIGN TEAM)
GUSHT 2024 (AUGUST 2024)	"D&C PARTNERS"
FAZA (PHASE)	SKEDARI DWG (DWG FILE)
PROJEKT-ZBATIMI	PROPOSED DESIGN.DWG

SHKALLA (SCALE)	NR. I VIZATIMIT (DRAWING NO.)
1:100	No. - 05



KILOMETRAZHI	51.11	43.82	40.00	34.15	30.00	20.00	15.06	8.98	0
KUOTAT E TOKES	1.06	1.02	1.08	1.24	0.79	1.54	1.18	1.27	1.43
DISTANCAT PJESORE		7.29	3.82	5.85	4.15	10.00	4.94	6.08	8.98
PJERRSIA		0.55	-1.59	-2.74	29.87	-15.38	7.25	-1.50	-1.72
DIFERENCAT		0.04	-0.06	-0.16	1.24	-1.54	0.36	-0.09	-0.15
KUOTA E PROJEKTIT			1.52			1.52			1.51
PJESORE E PROJEKTIT	20.00				20.00			20.00	

PROJEKTUES (DESIGN TEAM)
N.4497/7
d&c partners
design & consulting engineers
 Local Engineering Office (LOC)
 Studio Lokale Inzhinjerike (VEND)
 Firma:
 Lexoj dhe aprovoj

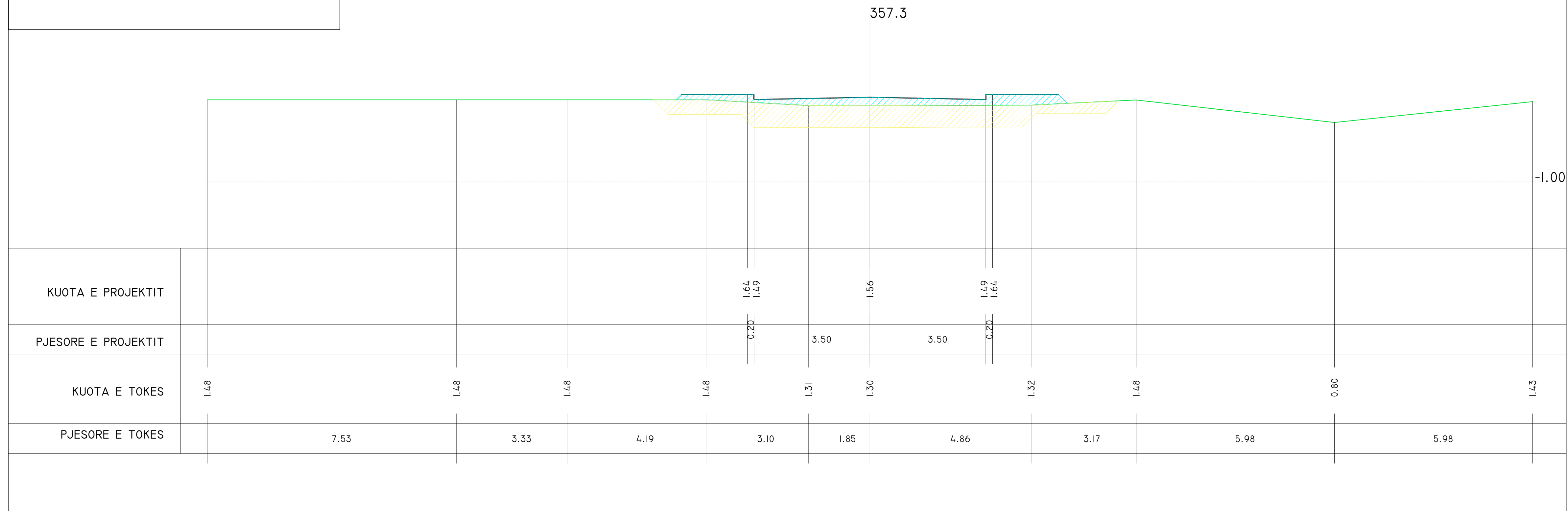
TITULLI I VIZATIMIT (DRAWING TITLE)
PROFILI GJATESORE
(LONGITUDINAL PROFILE)

KLIENT: BASHKIA VLORE
 Object: **PROJEKT ZBATIMI**
 VAZHDIMI I RRUGES NE PLAZHIN E VJETER, VLORE

DATA (DATE)	PROJEKTUES (DESIGN TEAM)
GUSHT 2024 (AUGUST 2024)	"D&C PARTNERS"
FAZA (PHASE)	SKEDARI DWG (DWG FILE)
PROJEKT-ZBATIMI	PROPOSED DESIGN.DWG

SHKALLA (SCALE)	NR. I VIZATIMIT (DRAWING NO.)
1:100	No. - 06

PROGRESIVI 357.3
SIPERFAQJA MB. 2.6
SIPERFAQJA GR. 7.6



PROJEKTUES (DESIGN TEAM)

N.4497/7

d&c partners
design & consulting engineers

Local Engineering Office (LOC)
Studio Lokale Inxhinjerieke (VEND)

Firma:
Lexoj dhe aprovoj

TITULLI I VIZATIMIT (DRAWING TITLE)

SEKSIONET TERTHORE
(CROSS-SECTIONS)

KLIENT: BASHKIA VLORE

Object: **PROJEKT ZBATIMI**

VAZHDIMI I RRUGES NE PLAZHIN E
VJETER, VLORE

DATA (DATE) | PROJEKTUES (DESIGN TEAM)

GUSHT 2024
(AUGUST 2024)

"D&C PARTNERS"

FAZA (PHASE) | SKEDARI DWG (DWG FILE)

PROJEKT-ZBATIMI | PROPOSED DESIGN.DWG

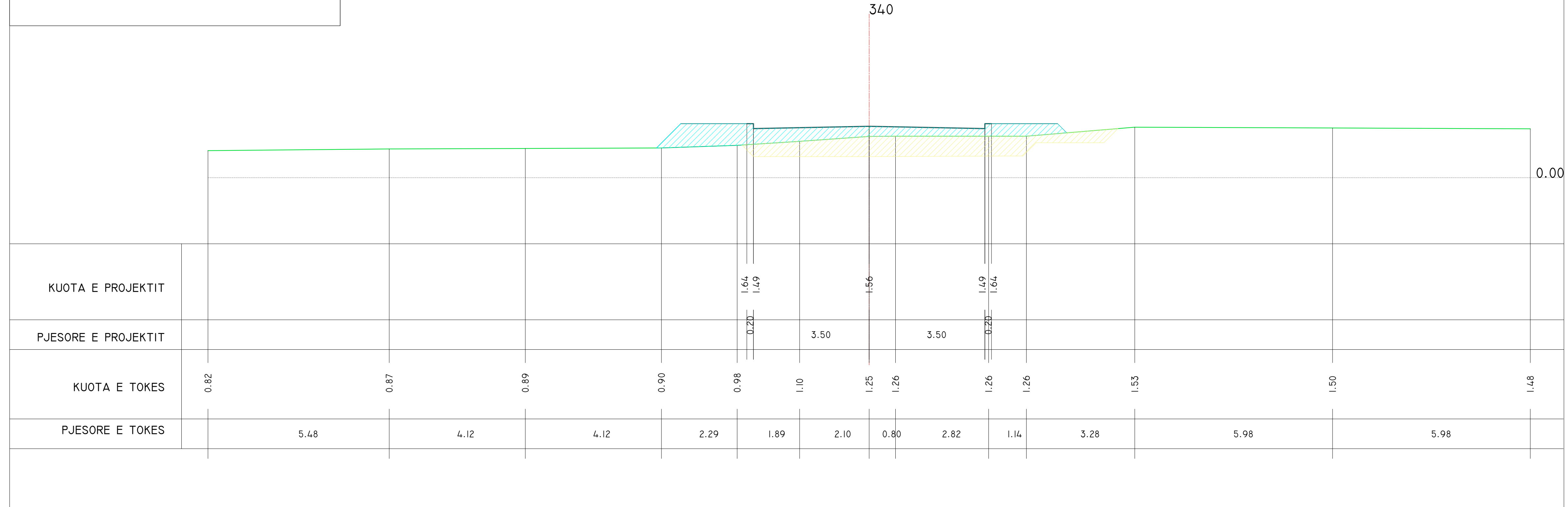
SHKALLA (SCALE)

1:75

NR. I VIZATIMIT (DRAWING NO.)

No. - 01

PROGRESIVI 340
SIPERFAQJA MB. 4.9
SIPERFAQJA GR. 5.5



PROJEKTUES (DESIGN TEAM)
N.4497/7
d&c partners
design & consulting engineers
Local Engineering Office (LOC)
Studio Lokale Inxhinjerieke (VEND)
Firma:
Lexoj dhe aprovoj

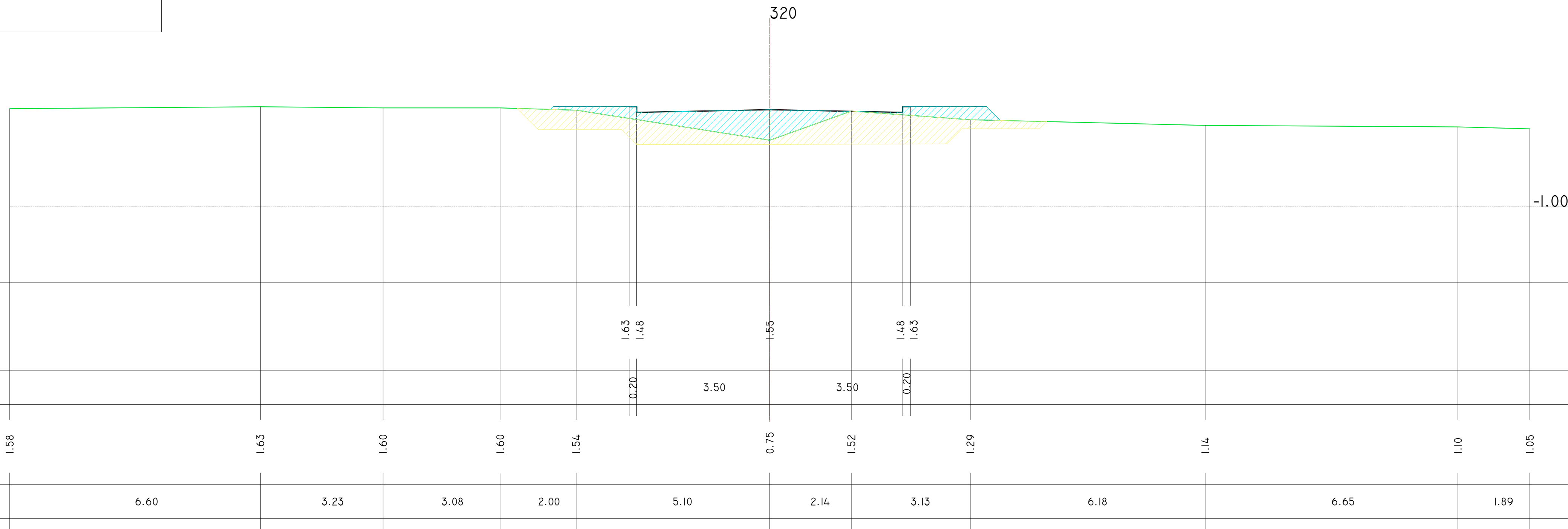
TITULLI I VIZATIMIT (DRAWING TITLE)
**SEKSIONET TERTHORE
(CROSS-SECTIONS)**

KLIENT: BASHKIA VLORE
Object: **PROJEKT ZBATIMI**
VAZHDIMI I RRUGES NE PLAZHIN E
VJETER, VLORE

DATA (DATE)	PROJEKTUES (DESIGN TEAM)
GUSHT 2024 (AUGUST 2024)	"D&C PARTNERS"
FAZA (PHASE)	SKEDARI DWG (DWG FILE)
PROJEKT-ZBATIMI	PROPOSED DESIGN.DWG

SHKALLA (SCALE)	NR. I VIZATIMIT (DRAWING NO.)
1:75	No. - 02

PROGRESIVI 320
SIPERFAQJA MB. 3.7
SIPERFAQJA GR. 6.4



PROJEKTUES (DESIGN TEAM)

N.4497/7

d&c partners
design & consulting engineers

Local Engineering Office (LOC)
Studio Lokale Inxhinjerieke (VEND)

Firma:
Lexoj dhe aprovoj

TITULLI I VIZATIMIT (DRAWING TITLE)

SEKSIONET TERTHORE
(CROSS-SECTIONS)

KLIENT: BASHKIA VLORE

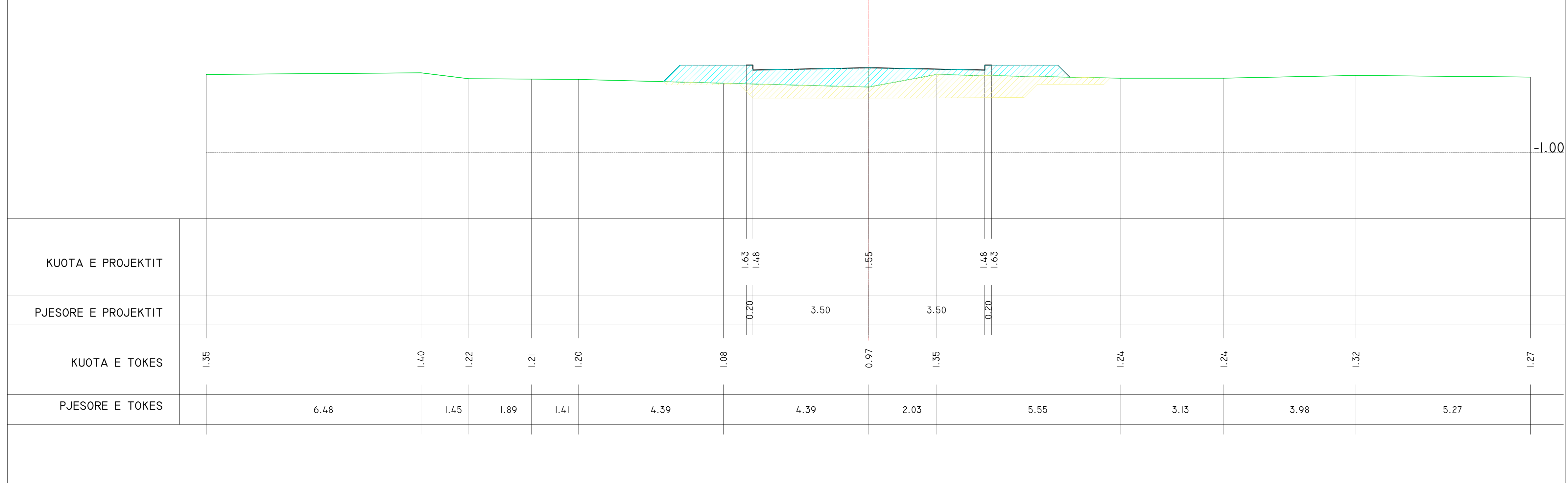
Object: **PROJEKT ZBATIMI**

VAZHDIMI I RRUGES NE PLAZHIN E
VJETER, VLORE

DATA (DATE)	PROJEKTUES (DESIGN TEAM)
GUSHT 2024 (AUGUST 2024)	"D&C PARTNERS"
FAZA (PHASE)	SKEDARI DWG (DWG FILE)
PROJEKT-ZBATIMI	PROPOSED DESIGN.DWG

SHKALLA (SCALE)	NR. I VIZATIMIT (DRAWING NO.)
1:75	No. - 03

PROGRESIVI 300
 SIPERFAQJA MB. 4.9
 SIPERFAQJA GR. 5.1



PROJEKTUES (DESIGN TEAM)
 N.4497/7
d&c partners
 design & consulting engineers
 Local Engineering Office (LOC)
 Studio Lokale Inxhinjerieke (VEND)
 Firma:
 Lexoj dhe aprovoj

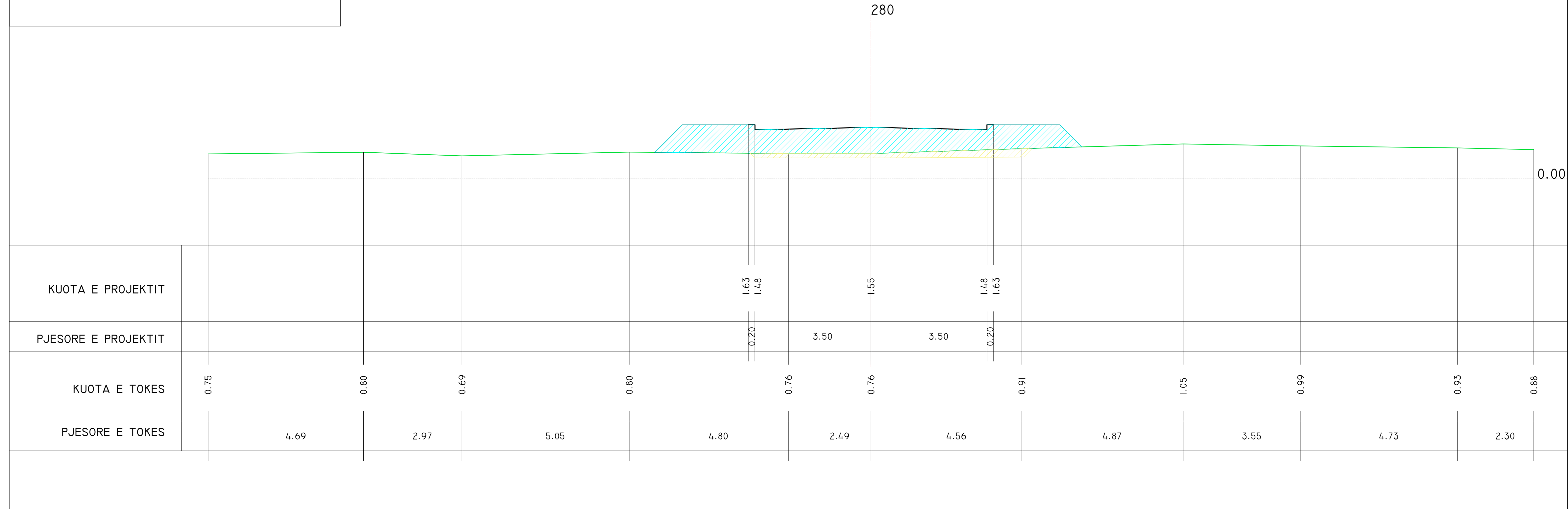
TITULLI I VIZATIMIT (DRAWING TITLE)
**SEKSIONET TERTHORE
 (CROSS-SECTIONS)**

KLIENT: BASHKIA VLORE
 Object: **PROJEKT ZBATIMI**
 VAZHDIMI I RRUGES NE PLAZHIN E
 VJETER, VLORE

DATA (DATE)	PROJEKTUES (DESIGN TEAM)
GUSHT 2024 (AUGUST 2024)	"D&C PARTNERS"
FAZA (PHASE)	SKEDARI DWG (DWG FILE)
PROJEKT-ZBATIMI	PROPOSED DESIGN.DWG

SHKALLA (SCALE)	NR. I VIZATIMIT (DRAWING NO.)
1:75	No. - 04

PROGRESIVI 280
SIPERFAQJA MB. 9.1
SIPERFAQJA GR. 1.4



PROJEKTUES (DESIGN TEAM)

N.4497/7

d&c partners
design & consulting engineers

Local Engineering Office (LOC)
Studio Lokale Inxhinjerieke (VEND)

Firma:

Lexoj dhe aprovoj

TITULLI I VIZATIMIT (DRAWING TITLE)

SEKSIONET TERTHORE
(CROSS-SECTIONS)

KLIENT: BASHKIA VLORE

Object: **PROJEKT ZBATIMI**

VAZHDIMI I RRUGES NE PLAZHIN E
VJETER, VLORE

DATA (DATE) | PROJEKTUES (DESIGN TEAM)

GUSHT 2024 | "D&C PARTNERS"

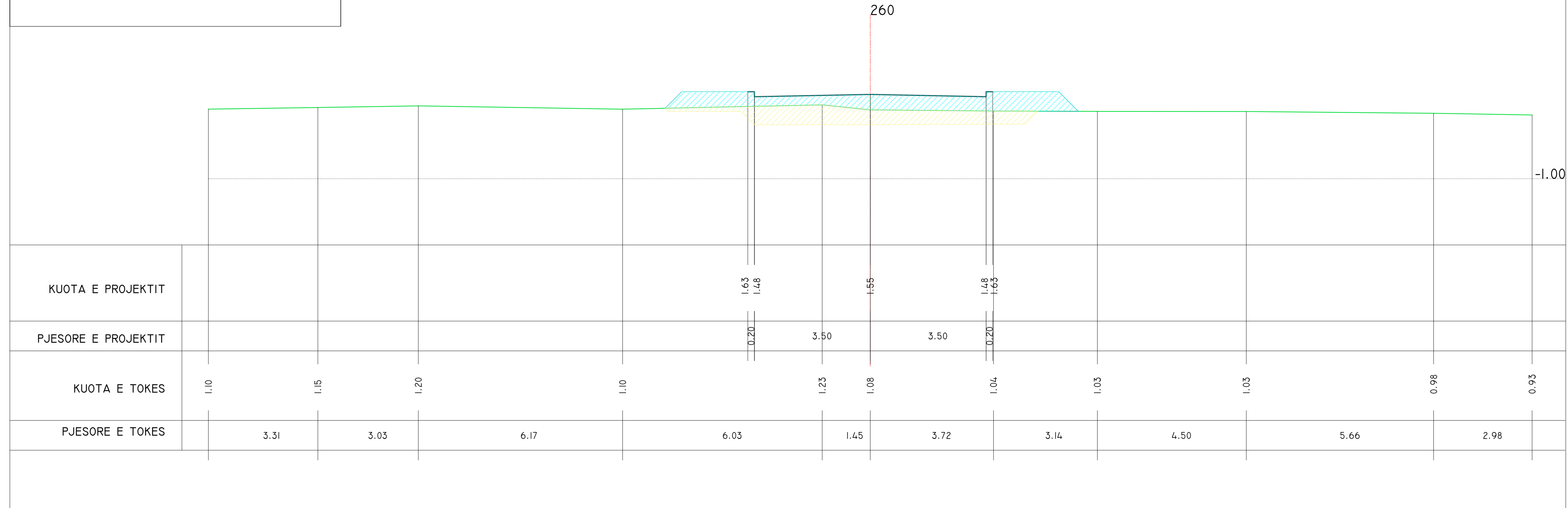
FAZA (PHASE) | SKEDARI DWG (DWG FILE)

PROJEKT-ZBATIMI | PROPOSED DESIGN.DWG

SHKALLA (SCALE) | NR. I VIZATIMIT (DRAWING NO.)

1:75 | No. - 05

PROGRESIVI 260
SIPERFAQJA MB. 5.3
SIPERFAQJA GR. 4.4



PROJEKTUES (DESIGN TEAM)

N.4497/7

d&c partners
design & consulting engineers

Local Engineering Office (LOC)
Studio Lokale Inxhinjerieke (VEND)

Firma:
Lexoj dhe aprovoj

TITULLI I VIZATIMIT (DRAWING TITLE)

SEKSIONET TERTHORE
(CROSS-SECTIONS)

KLIENT: BASHKIA VLORE

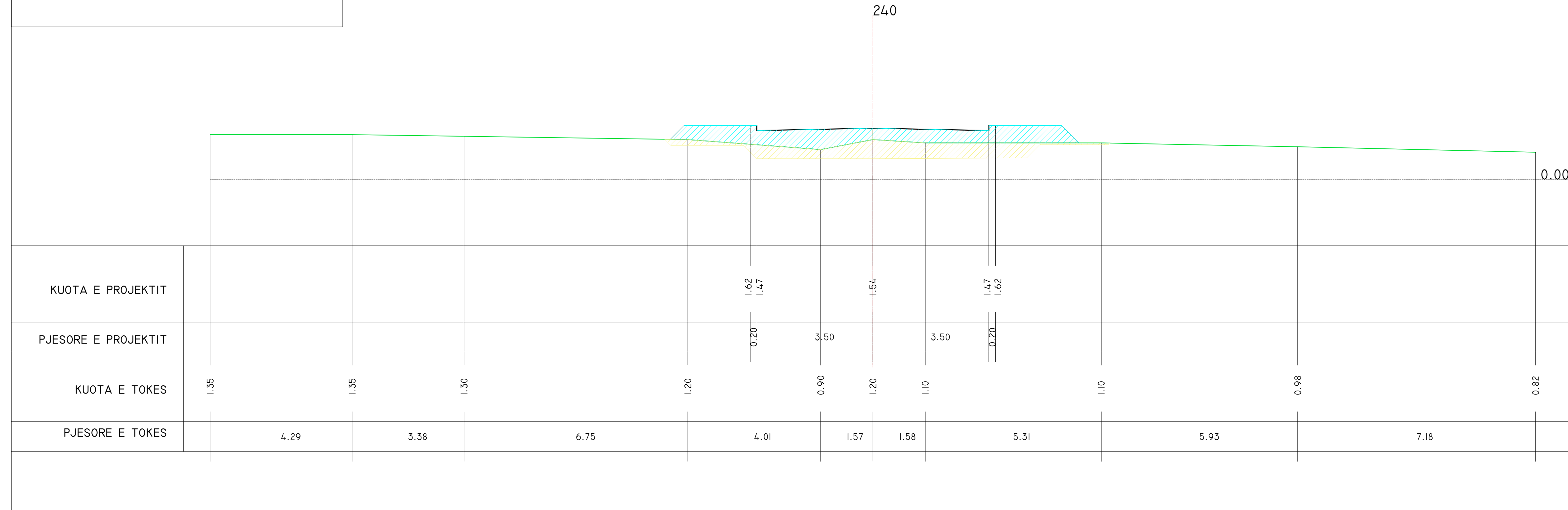
Object: **PROJEKT ZBATIMI**

VAZHDIMI I RRUGES NE PLAZHIN E
VJETER, VLORE

DATA (DATE)	PROJEKTUES (DESIGN TEAM)
GUSHT 2024 (AUGUST 2024)	"D&C PARTNERS"
FAZA (PHASE)	SKEDARI DWG (DWG FILE)
PROJEKT-ZBATIMI	PROPOSED DESIGN.DWG

SHKALLA (SCALE)	NR. I VIZATIMIT (DRAWING NO.)
1:75	No. - 06

PROGRESIVI 240
SIPERFAQJA MB. 5.6
SIPERFAQJA GR. 4.2



KUOTA E PROJEKTIT

PJESORE E PROJEKTIT

KUOTA E TOKES

PJESORE E TOKES

PROJEKTUES (DESIGN TEAM)
N.4497/7
d&c partners
design & consulting engineers
Local Engineering Office (LOC)
Studio Lokale Inxhinjerieke (VEND)
Firma:
Lexoj dhe aprovoj

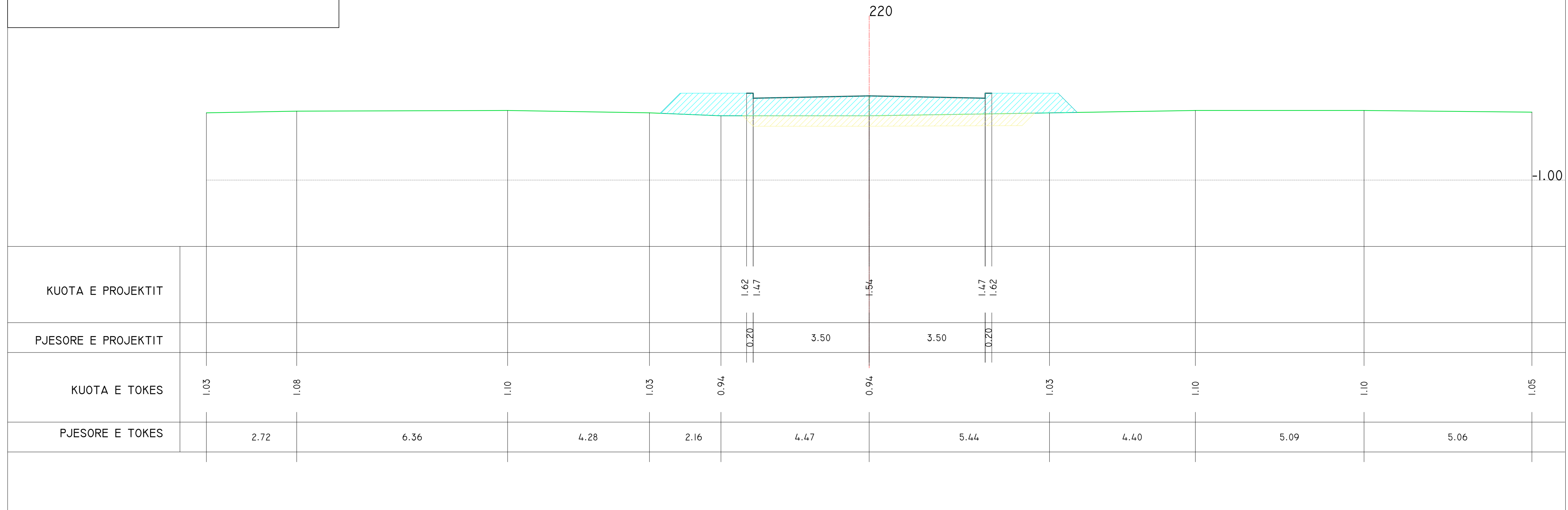
TITULLI I VIZATIMIT (DRAWING TITLE)
**SEKSIONET TERTHORE
(CROSS-SECTIONS)**

KLIENT: BASHKIA VLORE
Object: **PROJEKT ZBATIMI**
VAZHDIMI I RRUGES NE PLAZHIN E
VJETER, VLORE

DATA (DATE)	PROJEKTUES (DESIGN TEAM)
GUSHT 2024 (AUGUST 2024)	"D&C PARTNERS"
FAZA (PHASE)	SKEDARI DWG (DWG FILE)
PROJEKT-ZBATIMI	PROPOSED DESIGN.DWG

SHKALLA (SCALE)	NR. I VIZATIMIT (DRAWING NO.)
1:75	No. - 07

PROGRESIVI 220
SIPERFAQJA MB. 7.02
SIPERFAQJA GR. 2.8



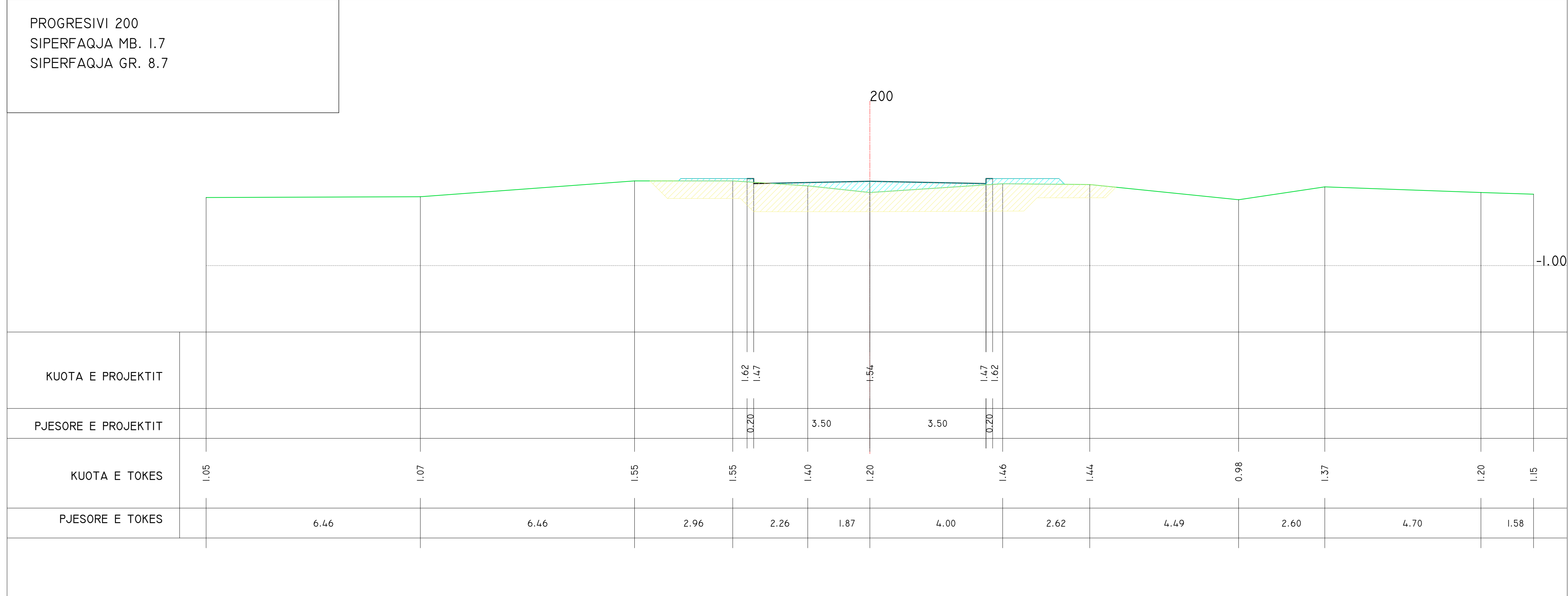
PROJEKTUES (DESIGN TEAM)
N.4497/7
d&c partners
design & consulting engineers
Local Engineering Office (LOC)
Studio Lokale Inxhinjerieke (VEND)
Firma:
Lexoj dhe aprovoj

TITULLI I VIZATIMIT (DRAWING TITLE)
**SEKSIONET TERTHORE
(CROSS-SECTIONS)**

KLIENT: BASHKIA VLORE
Object: **PROJEKT ZBATIMI**
VAZHDIMI I RRUGES NE PLAZHIN E
VJETER, VLORE

DATA (DATE)	PROJEKTUES (DESIGN TEAM)
GUSHT 2024 (AUGUST 2024)	"D&C PARTNERS"
FAZA (PHASE)	SKEDARI DWG (DWG FILE)
PROJEKT-ZBATIMI	PROPOSED DESIGN.DWG

SHKALLA (SCALE)	NR. I VIZATIMIT (DRAWING NO.)
1:75	No. - 08



PROJEKTUES (DESIGN TEAM)
N.4497/7
d&c partners
design & consulting engineers
Local Engineering Office (LOC)
Studio Lokale Inxhinjerieke (VEND)

Firma:
Lexoj dhe aprovoj

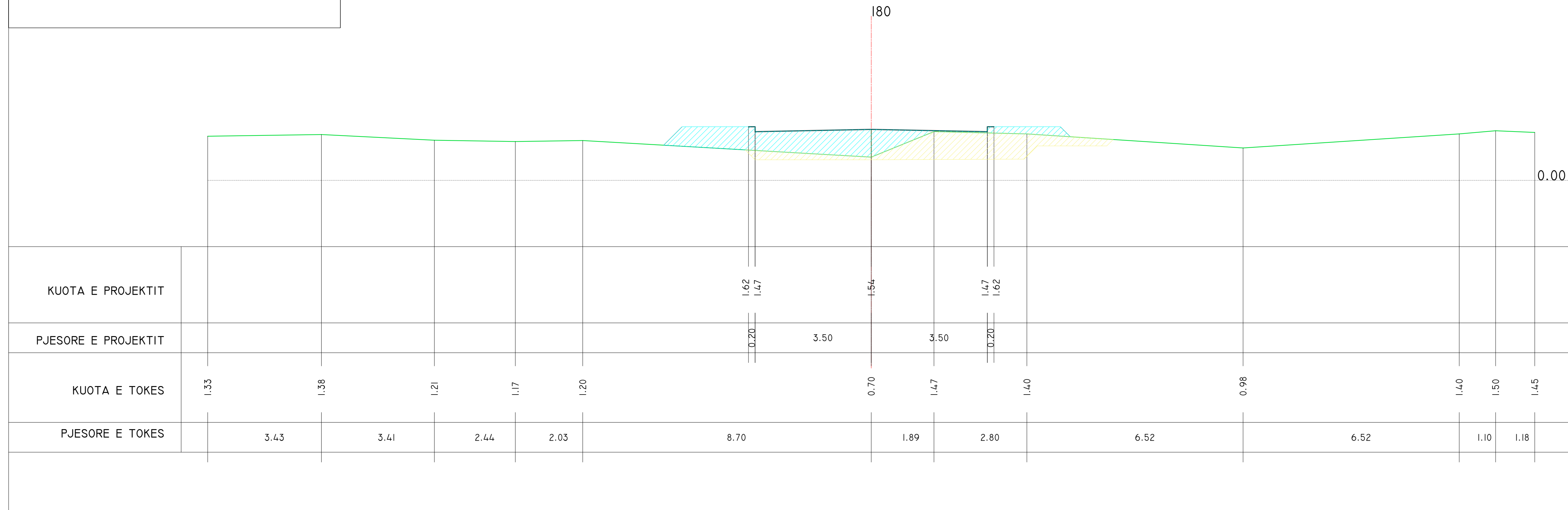
TITULLI I VIZATIMIT (DRAWING TITLE)
**SEKSIONET TERTHORE
(CROSS-SECTIONS)**

KLIENT: BASHKIA VLORE
Object: **PROJEKT ZBATIMI**
VAZHDIMI I RRUGES NE PLAZHIN E
VJETER, VLORE

DATA (DATE)	PROJEKTUES (DESIGN TEAM)
GUSHT 2024 (AUGUST 2024)	"D&C PARTNERS"
FAZA (PHASE)	SKEDARI DWG (DWG FILE)
PROJEKT-ZBATIMI	PROPOSED DESIGN.DWG

SHKALLA (SCALE)	NR. I VIZATIMIT (DRAWING NO.)
1:75	No. - 09

PROGRESIVI I80
SIPERFAQJA MB. 5.5
SIPERFAQJA GR. 4.6



PROJEKTUES (DESIGN TEAM)

N.4497/7

d&c partners
design & consulting engineers

Local Engineering Office (LOC)
Studio Lokale Inzhinjerike (VEND)

Firma:
Lexoj dhe aprovoj

TITULLI I VIZATIMIT (DRAWING TITLE)

SEKSIONET TERTHORE
(CROSS-SECTIONS)

KLIENT: BASHKIA VLORE

Object: **PROJEKT ZBATIMI**

VAZHDIMI I RRUGES NE PLAZHIN E
VJETER, VLORE

DATA (DATE) | PROJEKTUES (DESIGN TEAM)

GUSHT 2024
(AUGUST 2024) | "D&C PARTNERS"

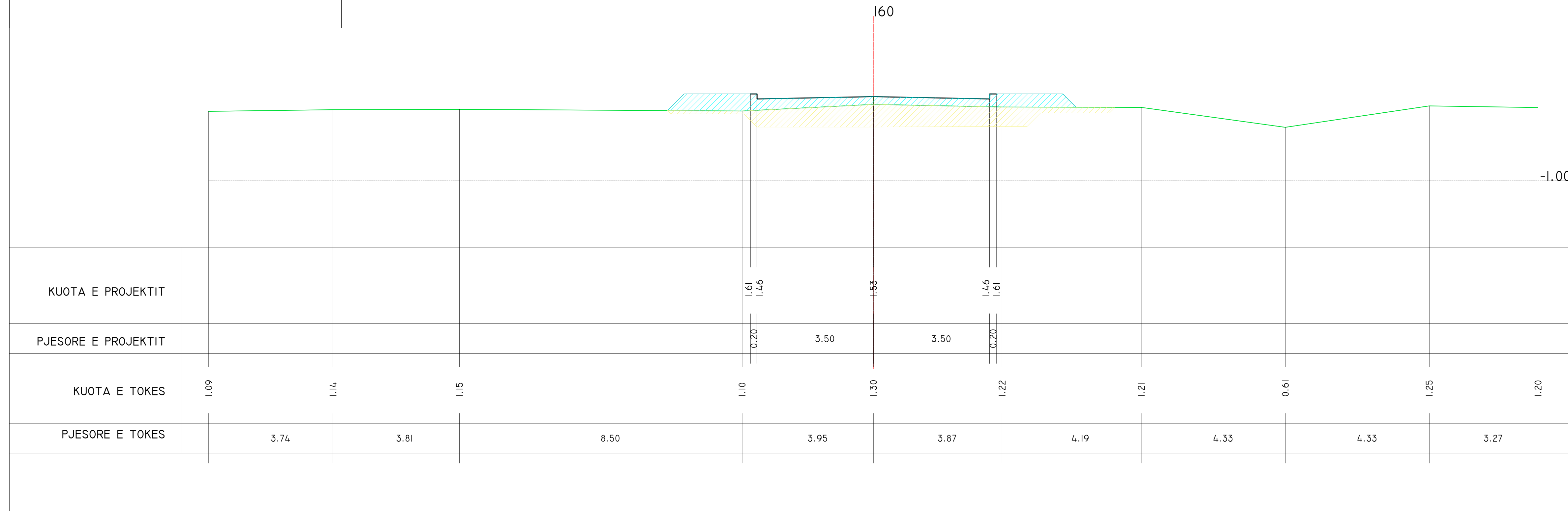
FAZA (PHASE) | SKEDARI DWG (DWG FILE)

PROJEKT-ZBATIMI | PROPOSED DESIGN.DWG

SHKALLA (SCALE) | NR. I VIZATIMIT (DRAWING NO.)

1:75 | No. - 10

PROGRESIVI I 60
SIPERFAQJA MB. 4.01
SIPERFAQJA GR. 5.8



PROJEKTUES (DESIGN TEAM)
N.4497/7
d&c partners
design & consulting engineers
Local Engineering Office (LOC)
Studio Lokale Inxhinjereke (VEND)
Firma:
Lexoj dhe aprovoj

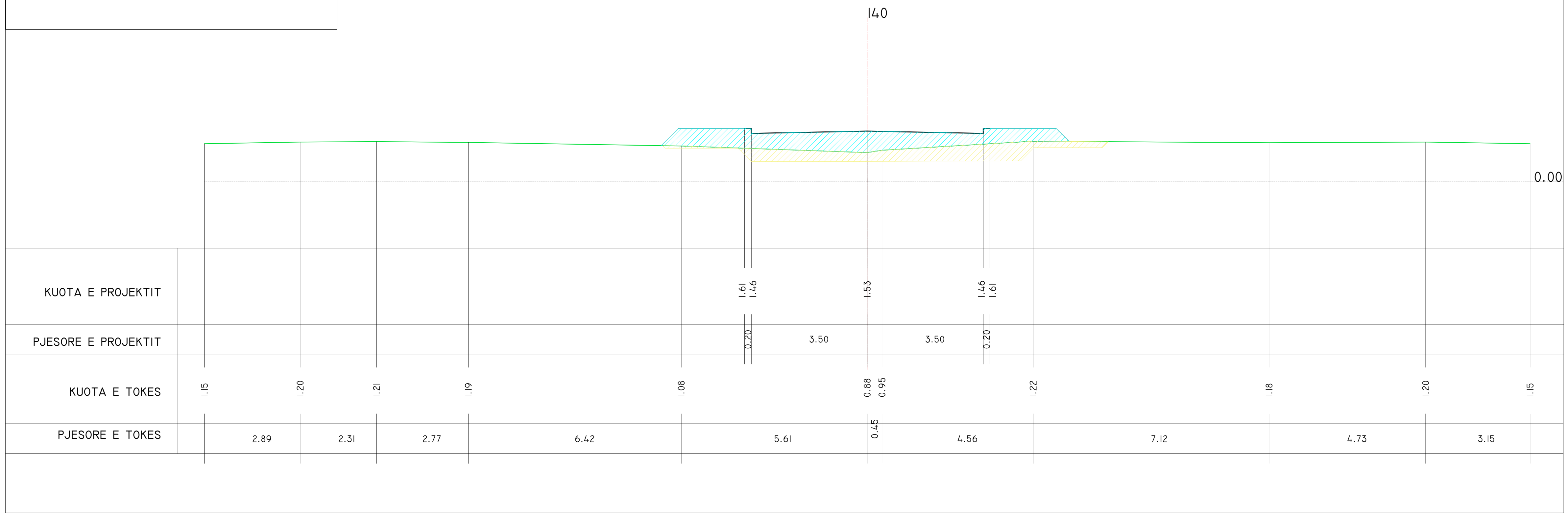
TITULLI I VIZATIMIT (DRAWING TITLE)
**SEKSIONET TERTHORE
(CROSS-SECTIONS)**

KLIENT: BASHKIA VLORE
Object: **PROJEKT ZBATIMI**
VAZHDIMI I RRUGES NE PLAZHIN E
VJETER, VLORE

DATA (DATE)	PROJEKTUES (DESIGN TEAM)
GUSHT 2024 (AUGUST 2024)	"D&C PARTNERS"
FAZA (PHASE)	SKEDARI DWG (DWG FILE)
PROJEKT-ZBATIMI	PROPOSED DESIGN.DWG

SHKALLA (SCALE)	NR. I VIZATIMIT (DRAWING NO.)
1:75	No. - II

PROGRESIVI I40
SIPERFAQJA MB. 5.95
SIPERFAQJA GR. 3.9



PROJEKTUES (DESIGN TEAM)
N.4497/7
d&c partners
design & consulting engineers
Local Engineering Office (LOC)
Studio Lokale Inxhinjerieke (VEND)
Firma:
Lexoj dhe aprovoj

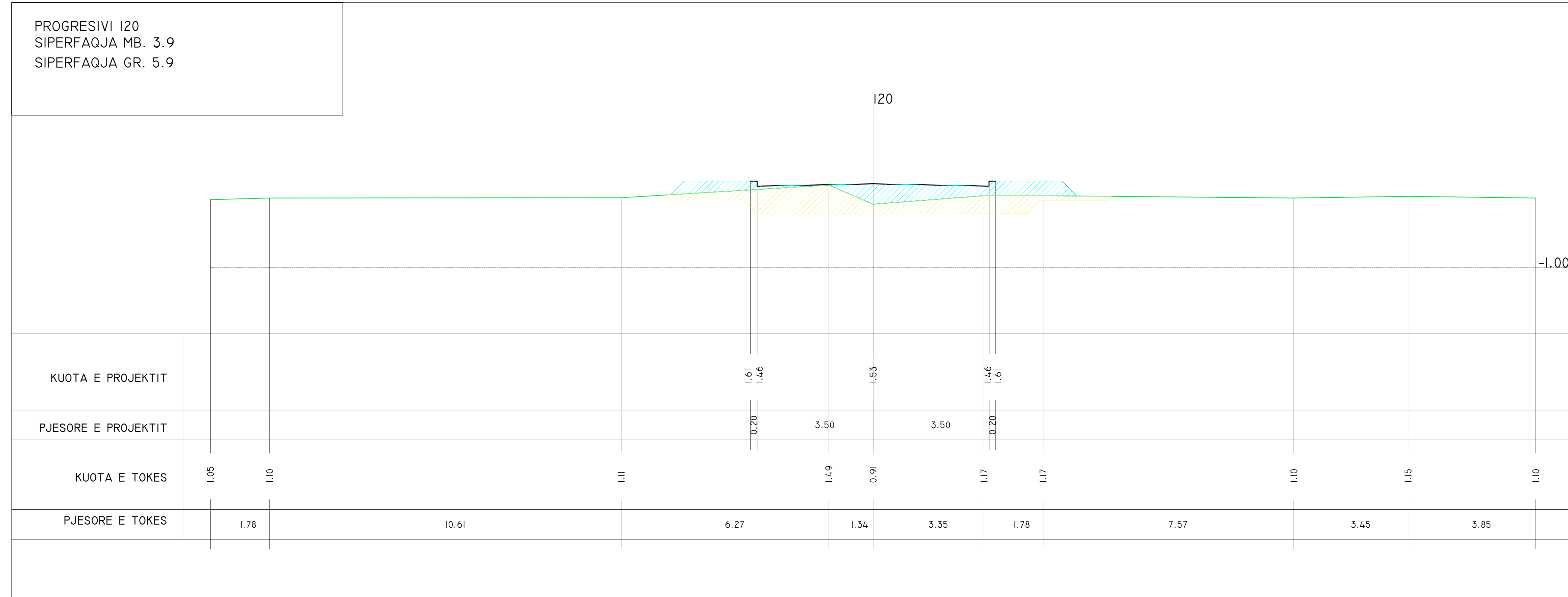
TITULLI I VIZATIMIT (DRAWING TITLE)
**SEKSIONET TERTHORE
(CROSS-SECTIONS)**

KLIENT: BASHKIA VLORE
Object: **PROJEKT ZBATIMI**
VAZHDIMI I RRUGES NE PLAZHIN E
VJETER, VLORE

DATA (DATE)	PROJEKTUES (DESIGN TEAM)
GUSHT 2024 (AUGUST 2024)	"D&C PARTNERS"
FAZA (PHASE)	SKEDARI DWG (DWG FILE)
PROJEKT-ZBATIMI	PROPOSED DESIGN.DWG

SHKALLA (SCALE)	NR. I VIZATIMIT (DRAWING NO.)
1:75	No. - 12

PROGRESIVI I20
SIPERFAQJA MB. 3.9
SIPERFAQJA GR. 5.9



PROJEKTUES (DESIGN TEAM)

N.4497/7

d&c partners
design & consulting engineers

Local Engineering Office (LOC)

Studio Lokale Inzhinjerike (VEND)

Firma:
Lexoj dhe aprovoj

TITULLI I VIZATIMIT (DRAWING TITLE)

SEKSIONET TERTHORE
(CROSS-SECTIONS)

KLIENT: BASHKIA VLORE

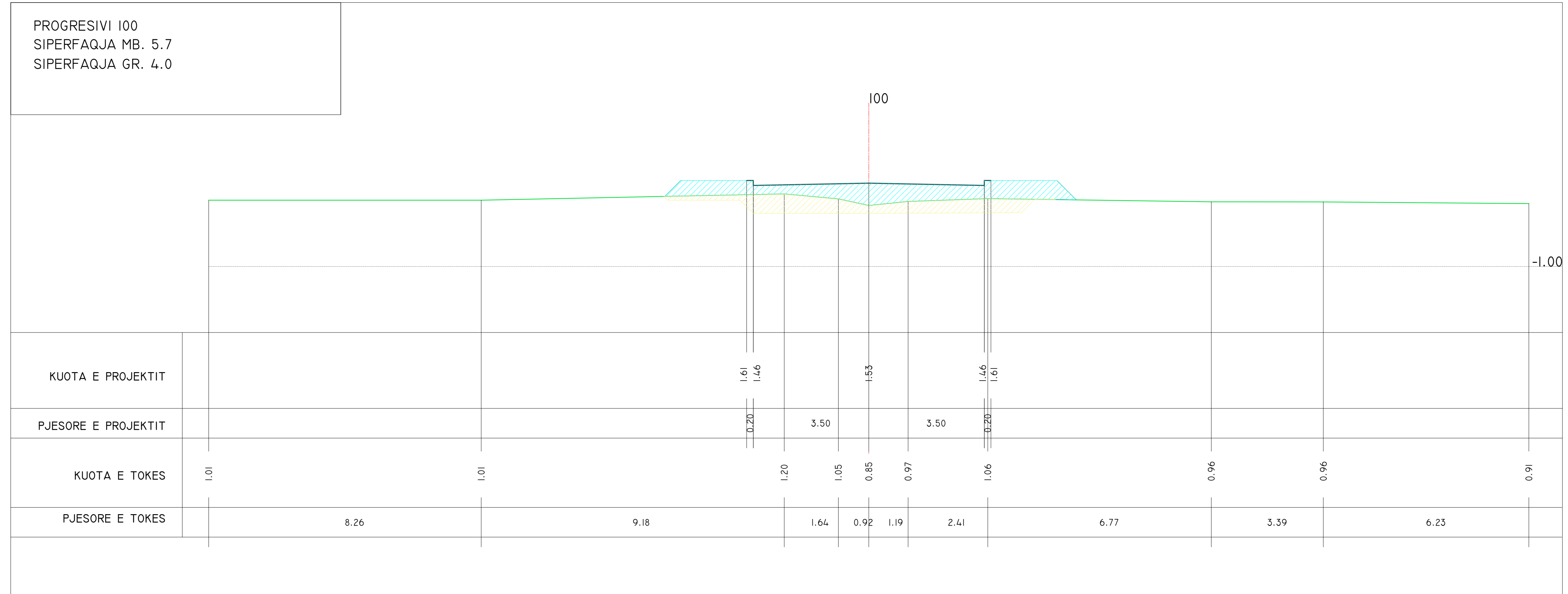
Object: **PROJEKT ZBATIMI**

VAZHDIMI I RRUGES NE PLAZHIN E
VJETER, VLORE

DATA (DATE)	PROJEKTUES (DESIGN TEAM)
GUSHT 2024 (AUGUST 2024)	"D&C PARTNERS"
FAZA (PHASE)	SKEDARI DWG (DWG FILE)
PROJEKT-ZBATIMI	PROPOSED DESIGN.DWG

SHKALLA (SCALE)	NR. I VIZATIMIT (DRAWING NO.)
1:75	No. - 13

PROGRESIVI 100
SIPERFAQJA MB. 5.7
SIPERFAQJA GR. 4.0



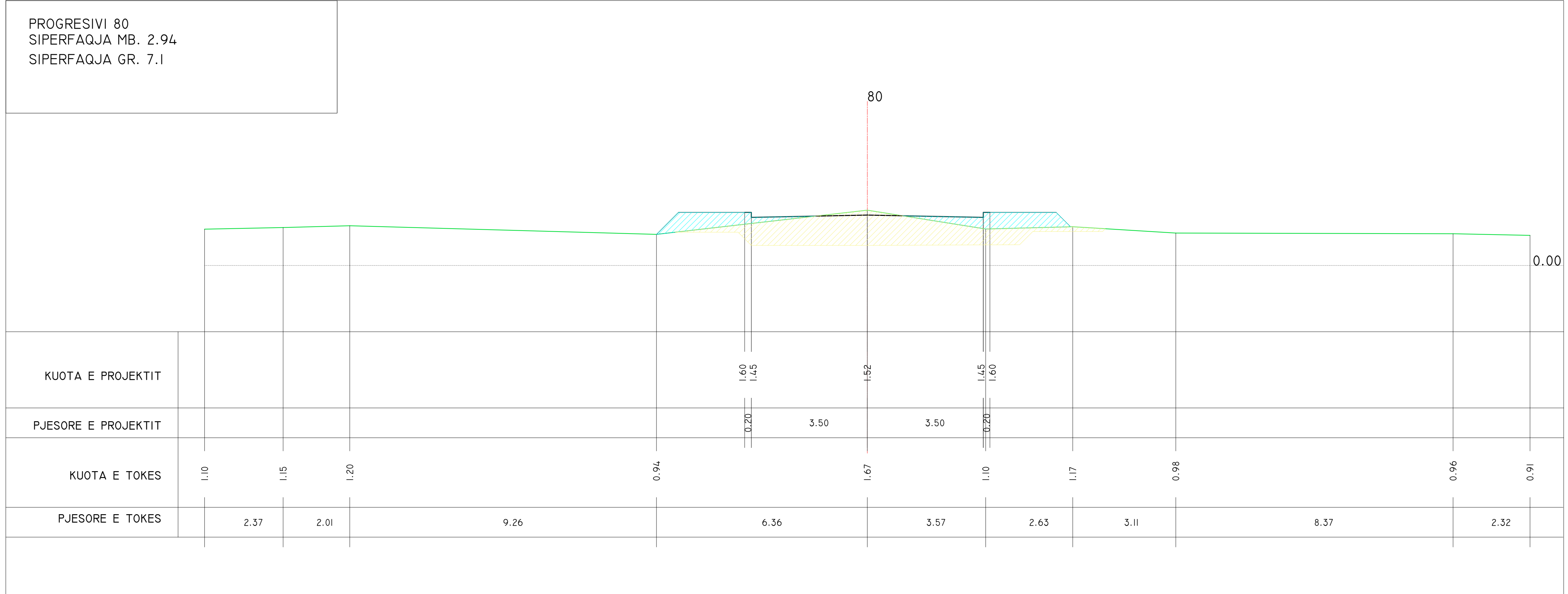
PROJEKTUES (DESIGN TEAM)
N.4497/7
d&c partners
design & consulting engineers
Local Engineering Office (LOC)
Studio Lokale Inxhinjerike (VEND)
Firma:
Lexoj dhe aprovoj

TITULLI I VIZATIMIT (DRAWING TITLE)
**SEKSIONET TERTHORE
(CROSS-SECTIONS)**

KLIENT: BASHKIA VLORE
Object: **PROJEKT ZBATIMI**
VAZHDIMI I RRUGES NE PLAZHIN E
VJETER, VLORE

DATA (DATE)	PROJEKTUES (DESIGN TEAM)
GUSHT 2024 (AUGUST 2024)	"D&C PARTNERS"
FAZA (PHASE)	SKEDARI DWG (DWG FILE)
PROJEKT-ZBATIMI	PROPOSED DESIGN.DWG

SHKALLA (SCALE)	NR. I VIZATIMIT (DRAWING NO.)
1:75	No. - 14



PROJEKTUES (DESIGN TEAM)
N.4497/7
d&c partners
design & consulting engineers
Local Engineering Office (LOC)
Studio Lokale Inzhinjerike (VEND)
Firma:
Lexoj dhe aprovoj

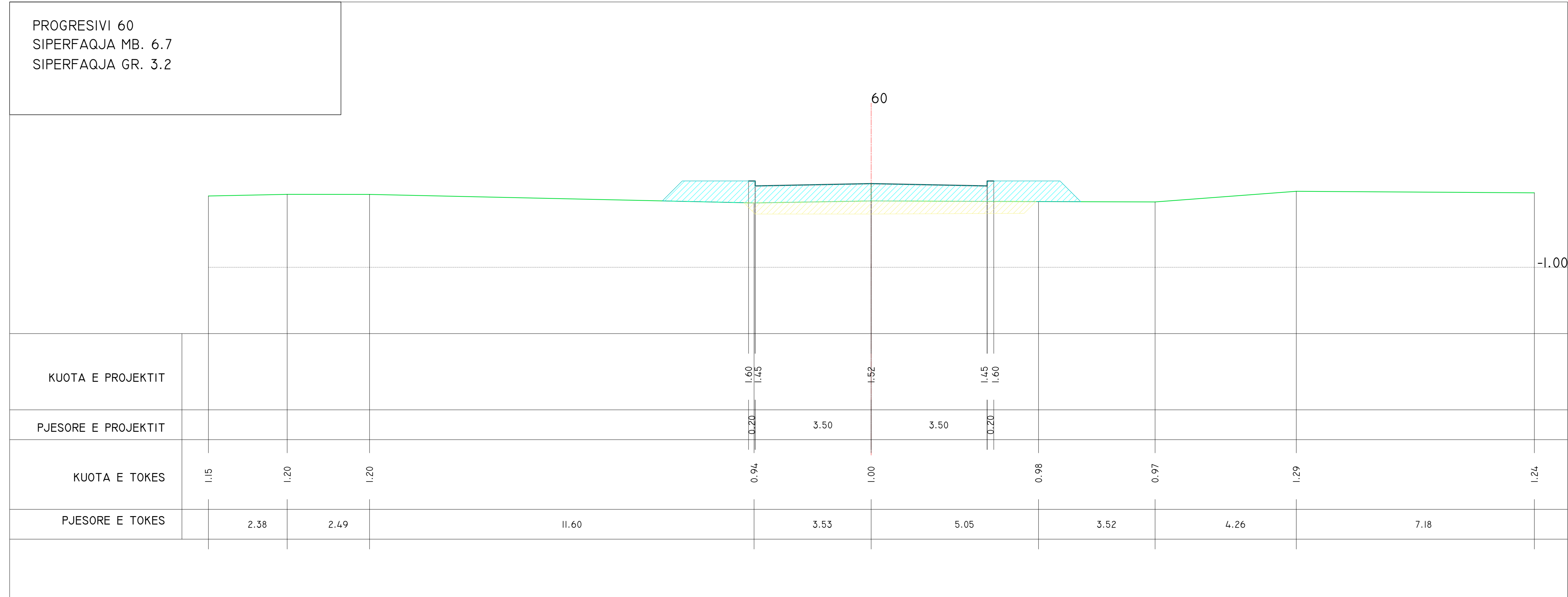
TITULLI I VIZATIMIT (DRAWING TITLE)
**SEKSIONET TERTHORE
(CROSS-SECTIONS)**

KLIENT: BASHKIA VLORE
Object: **PROJEKT ZBATIMI**
VAZHDIMI I RRUGES NE PLAZHIN E
VJETER, VLORE

DATA (DATE)	PROJEKTUES (DESIGN TEAM)
GUSHT 2024 (AUGUST 2024)	"D&C PARTNERS"
FAZA (PHASE)	SKEDARI DWG (DWG FILE)
PROJEKT-ZBATIMI	PROPOSED DESIGN.DWG

SHKALLA (SCALE)	NR. I VIZATIMIT (DRAWING NO.)
1:75	No. - 15

PROGRESIVI 60
 SIPERFAQJA MB. 6.7
 SIPERFAQJA GR. 3.2



PROJEKTUES (DESIGN TEAM)
 N.4497/7
d&c partners
 design & consulting engineers
 Local Engineering Office (LOC)
 Studio Lokale Inxhinjerieke (VEND)
 Firma:
 Lexoj dhe aprovoj

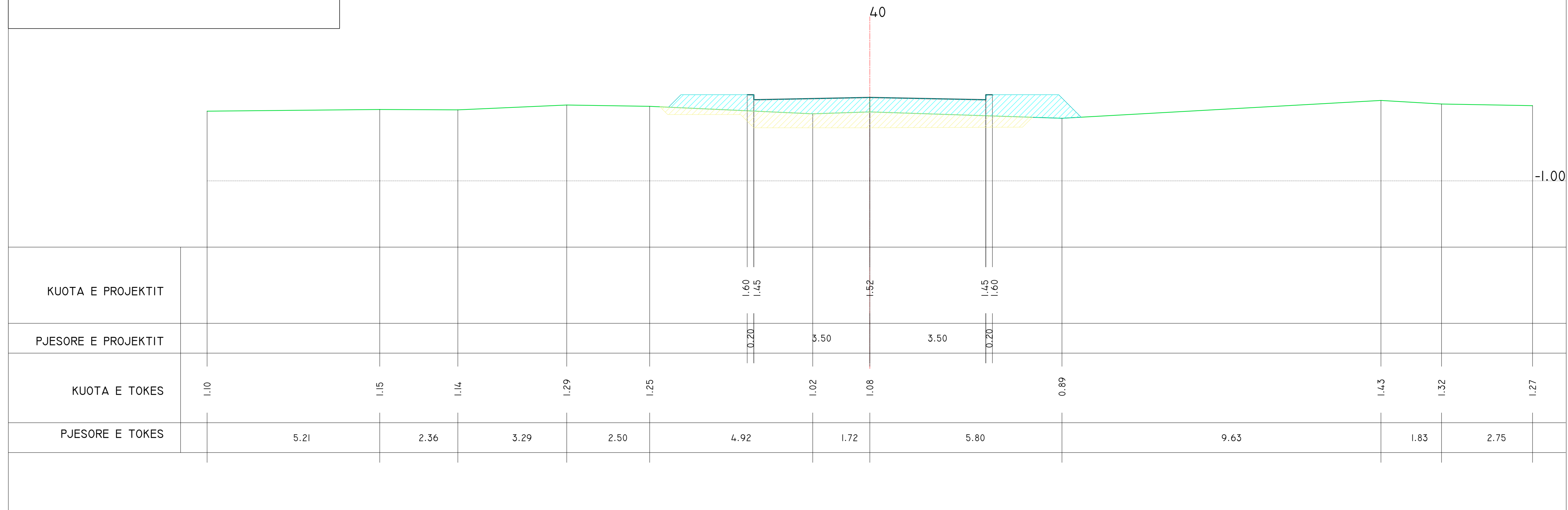
TITULLI I VIZATIMIT (DRAWING TITLE)
**SEKSIONET TERTHORE
 (CROSS-SECTIONS)**

KLIENT: BASHKIA VLORE
 Object: **PROJEKT ZBATIMI**
 VAZHDIMI I RRUGES NE PLAZHIN E
 VJETER, VLORE

DATA (DATE)	PROJEKTUES (DESIGN TEAM)
GUSHT 2024 (AUGUST 2024)	"D&C PARTNERS"
FAZA (PHASE)	SKEDARI DWG (DWG FILE)
PROJEKT-ZBATIMI	PROPOSED DESIGN.DWG

SHKALLA (SCALE)	NR. I VIZATIMIT (DRAWING NO.)
1:75	No. - 16

PROGRESIVI 40
SIPERFAQJA MB. 5.9
SIPERFAQJA GR. 4.0



PROJEKTUES (DESIGN TEAM)

N.4497/7

d&c partners
design & consulting engineers

Local Engineering Office (LOC)
Studio Lokale Inxhinjerieke (VEND)

Firma:
Lexoj dhe aprovoj

TITULLI I VIZATIMIT (DRAWING TITLE)

SEKSIONET TERTHORE
(CROSS-SECTIONS)

KLIENT: BASHKIA VLORE

Object: **PROJEKT ZBATIMI**

VAZHDIMI I RRUGES NE PLAZHIN E
VJETER, VLORE

DATA (DATE) | PROJEKTUES (DESIGN TEAM)

GUSHT 2024
(AUGUST 2024) | "D&C PARTNERS"

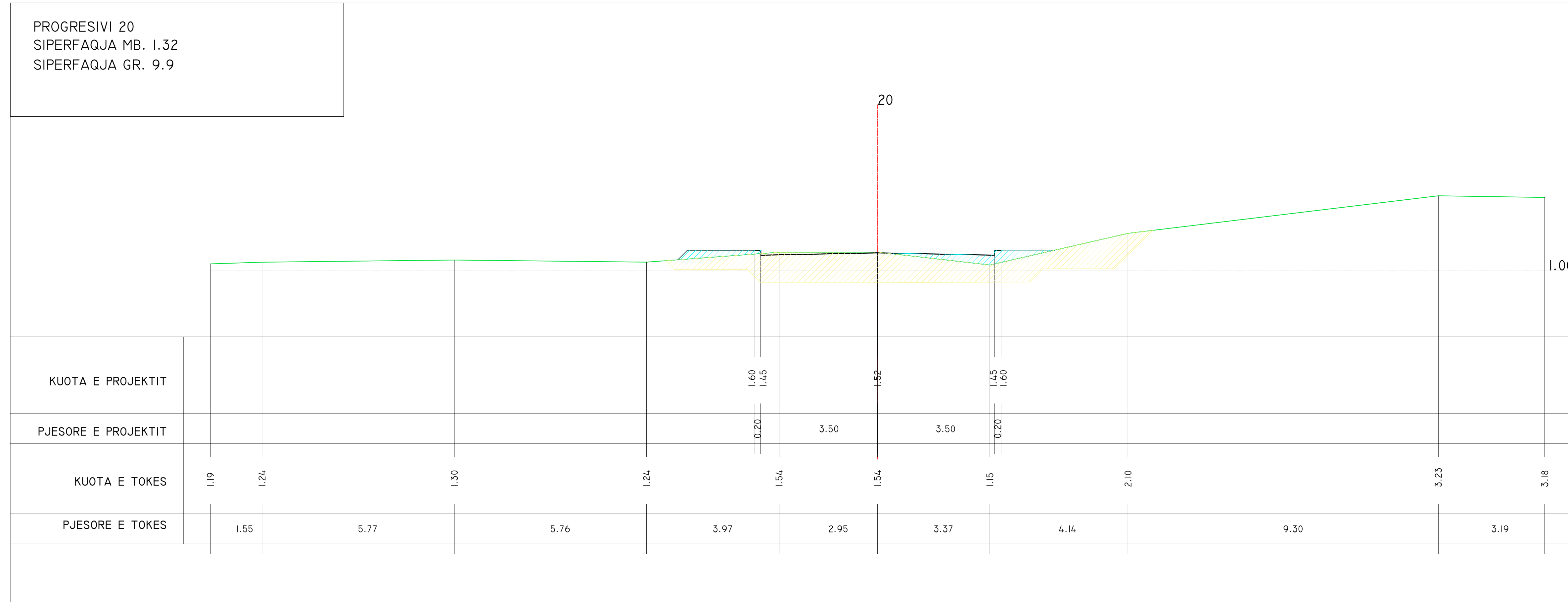
FAZA (PHASE) | SKEDARI DWG (DWG FILE)

PROJEKT-ZBATIMI | PROPOSED DESIGN.DWG

SHKALLA (SCALE) | NR. I VIZATIMIT (DRAWING NO.)

1:75 | No. - 17

PROGRESIVI 20
SIPERFAQJA MB. 1.32
SIPERFAQJA GR. 9.9



PROJEKTUES (DESIGN TEAM)

N.4497/7

d&c partners
design & consulting engineers

Local Engineering Office (LOC)
Studio Lokale Inxhinjerieke (VEND)

Firma:
Lexoj dhe aprovoj

TITULLI I VIZATIMIT (DRAWING TITLE)

SEKSIONET TERTHORE
(CROSS-SECTIONS)

KLIENT: BASHKIA VLORE

Object: **PROJEKT ZBATIMI**

VAZHDIMI I RRUGES NE PLAZHIN E
VJETER, VLORE

DATA (DATE) | PROJEKTUES (DESIGN TEAM)

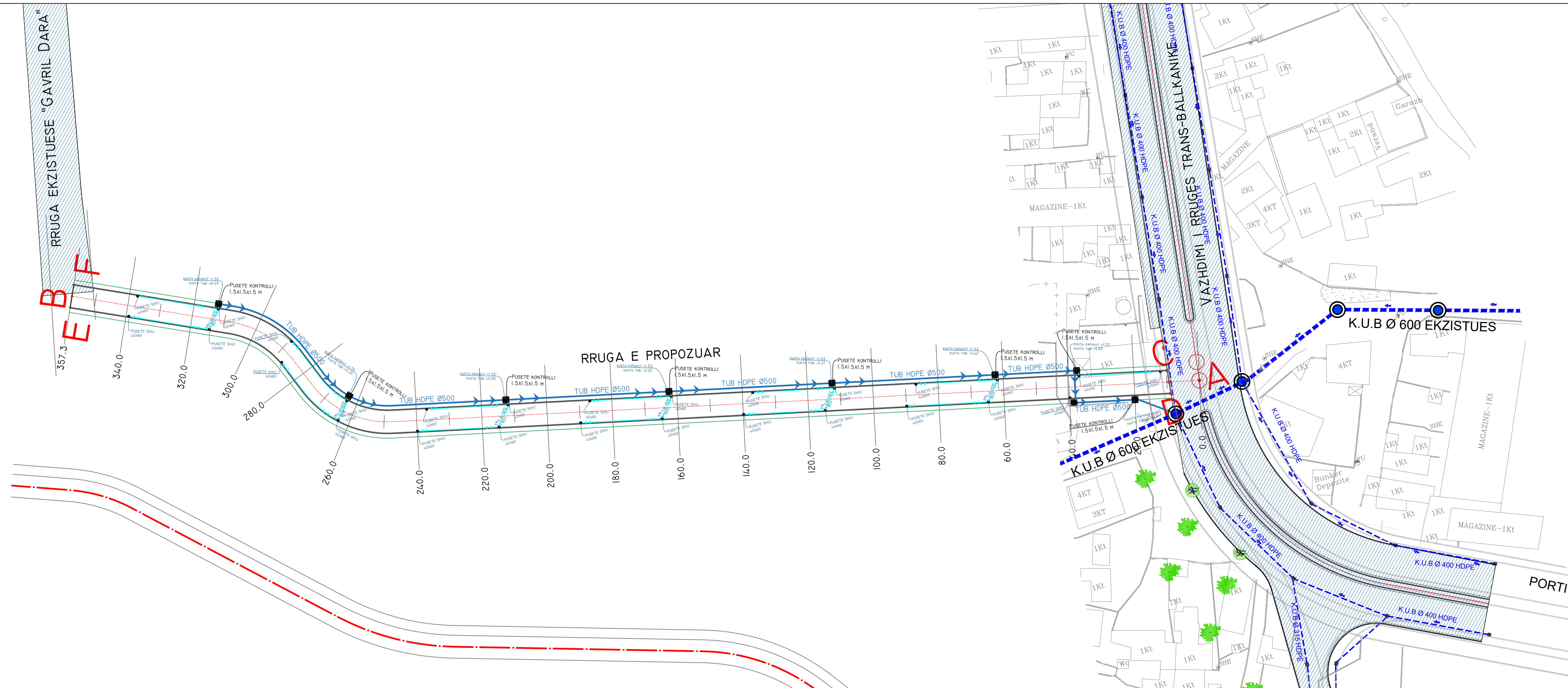
GUSHT 2024
(AUGUST 2024) | "D&C PARTNERS"

FAZA (PHASE) | SKEDARI DWG (DWG FILE)

PROJEKT-ZBATIMI | PROPOSED DESIGN.DWG

SHKALLA (SCALE) | NR. I VIZATIMIT (DRAWING NO.)

1:75 | No. - 18



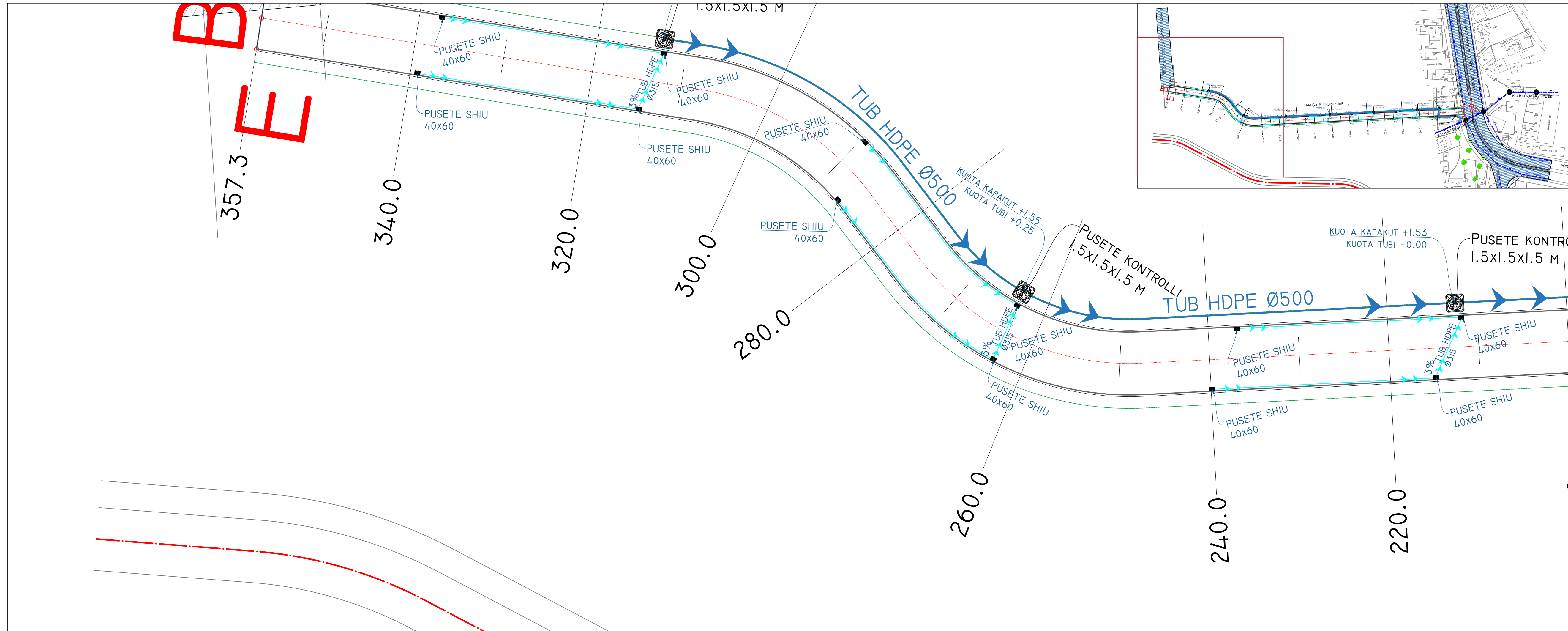
PROJEKTUES (DESIGN TEAM)
d&c partners N.4497/7
design & consulting engineers
 Local Engineering Office (LOC)
 Studio Lokale Inzhinjerike (VEND)
 Firma:
 Lexoj dhe aprovoj

TITULLI I VIZATIMIT (DRAWING TITLE)
PLANI I KANALIZIMIT TE USH
(RAIN WATER DRAINAGE)

KLIENT: BASHKIA VLORE
 Object: **PROJEKT ZBATIMI**
 VAZHIMI I RRUGES NE PLAZHIN E
 VJETER, VLORE

DATA (DATE)	PROJEKTUES (DESIGN TEAM)
GUSHT 2024 (AUGUST 2024)	"D&C PARTNERS"
FAZA (PHASE)	SKEDARI DWG (DWG FILE)
PROJEKT-ZBATIMI	PROPOSED DESIGN.DWG

SHKALLA (SCALE)	NR. I VIZATIMIT (DRAWING NO.)
1:750	No. - 01



PROJEKTUES (DESIGN TEAM)	
N.4497/7	
d&c partners design & consulting engineers	
Local Engineering Office (LOC)	Firma: Lexoj dhe aprovoj
Studio Lokale Inxhinjereke (VEND)	

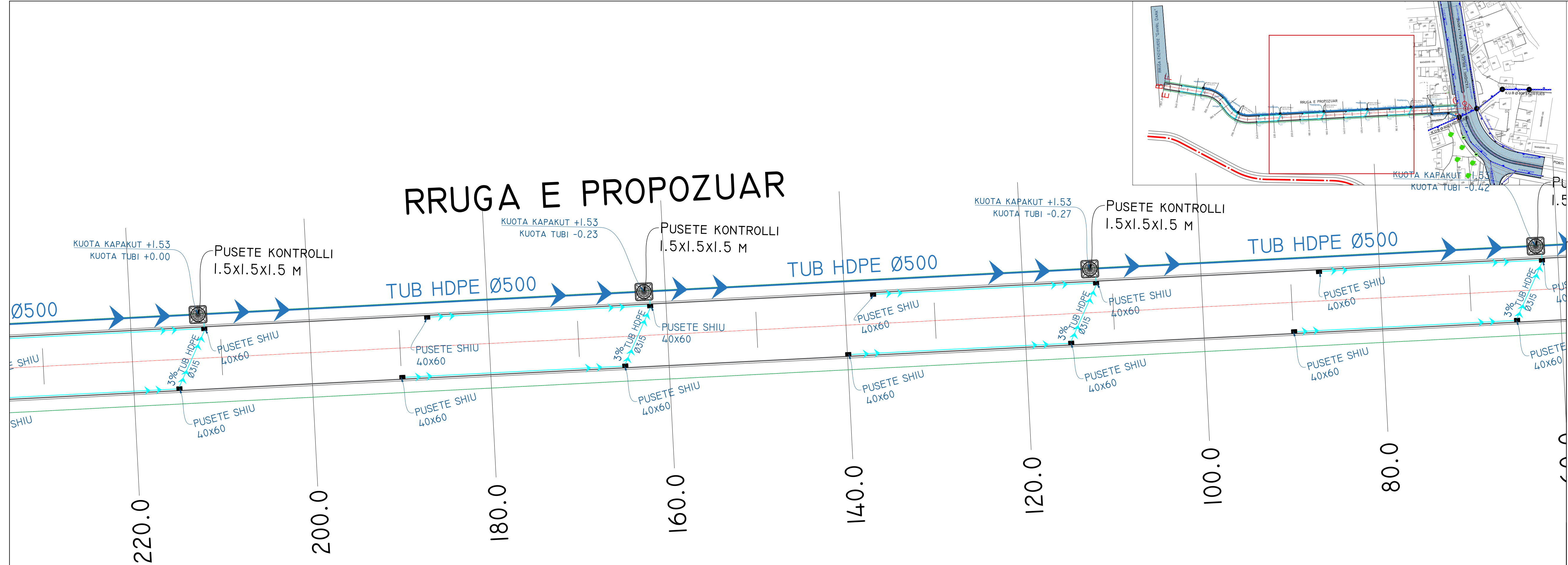
TITULLI I VIZATIMIT (DRAWING TITLE)
**PLANI I KANALIZIMIT TE USH
 (RAIN WATER DRAINAGE)**

KLIENT: BASHKIA VLORE
 Object: **PROJEKT ZBATIMI**
 VAZHDIMI I RRUGES NE PLAZHIN E
 VJETER, VLORE

DATA (DATE)	PROJEKTUES (DESIGN TEAM)
GUSHT 2024 (AUGUST 2024)	"D&C PARTNERS"
FAZA (PHASE)	SKEDARI DWG (DWG FILE)
PROJEKT-ZBATIMI	PROPOSED DESIGN.DWG

SHKALLA (SCALE)	NR. I VIZATIMIT (DRAWING NO.)
1:250	No. - 02

RRUGA E PROPOZUAR



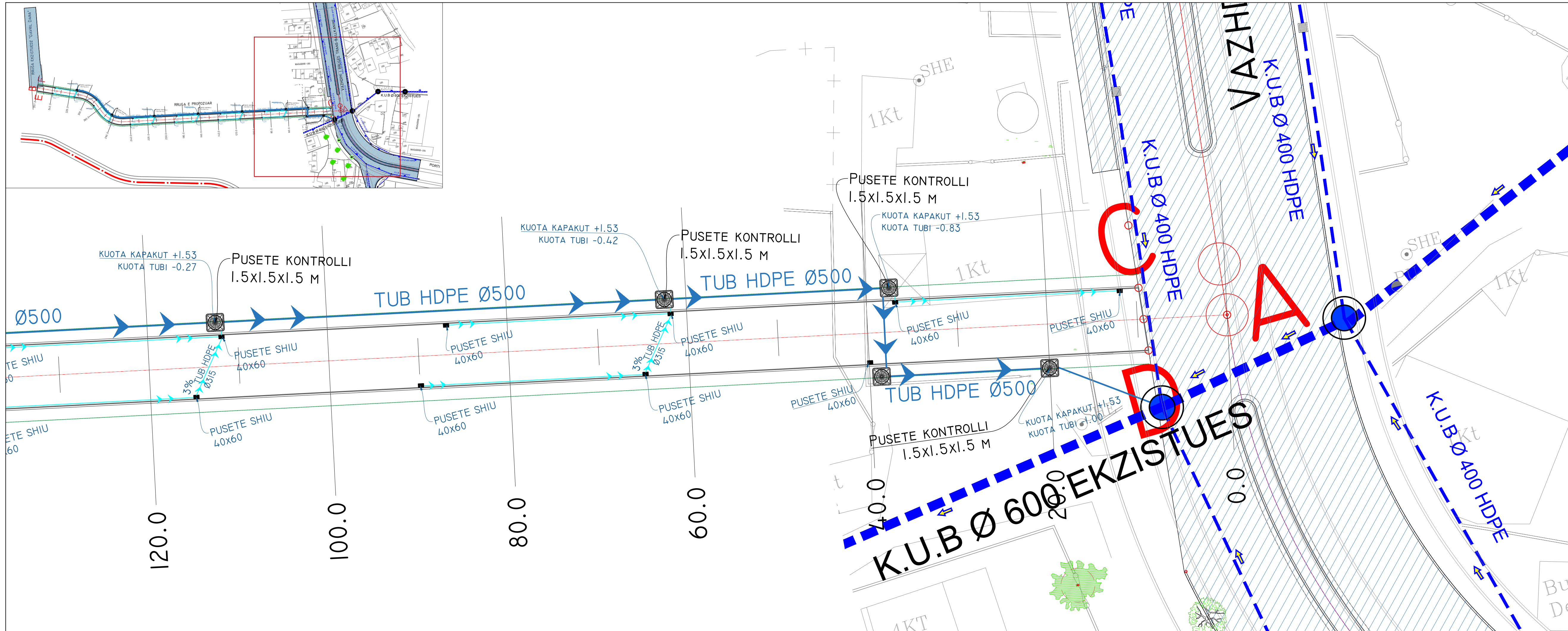
PROJEKTUES (DESIGN TEAM)	
N.4497/7	
d&c partners design & consulting engineers	
Local Engineering Office (LOC)	Firma: Lexoj dhe aprovoj
Studio Lokale Inxhinjerike (VEND)	

TITULLI I VIZATIMIT (DRAWING TITLE)	
PLANI I KANALIZIMIT TE USH (RAIN WATER DRAINAGE)	

KLIENT: BASHKIA VLORE	
Object	PROJEKT ZBATIMI
VAZHDIMI I RRUGES NE PLAZHIN E VJETER, VLORE	

DATA (DATE)	PROJEKTUES (DESIGN TEAM)
Gusht 2024 (AUGUST 2024)	"D&C PARTNERS"
FAZA (PHASE)	SKEDARI DWG (DWG FILE)
PROJEKT-ZBATIMI	PROPOSED DESIGN.DWG

SHKALLA (SCALE)	NR. I VIZATIMIT (DRAWING NO.)
1:250	No. - 03



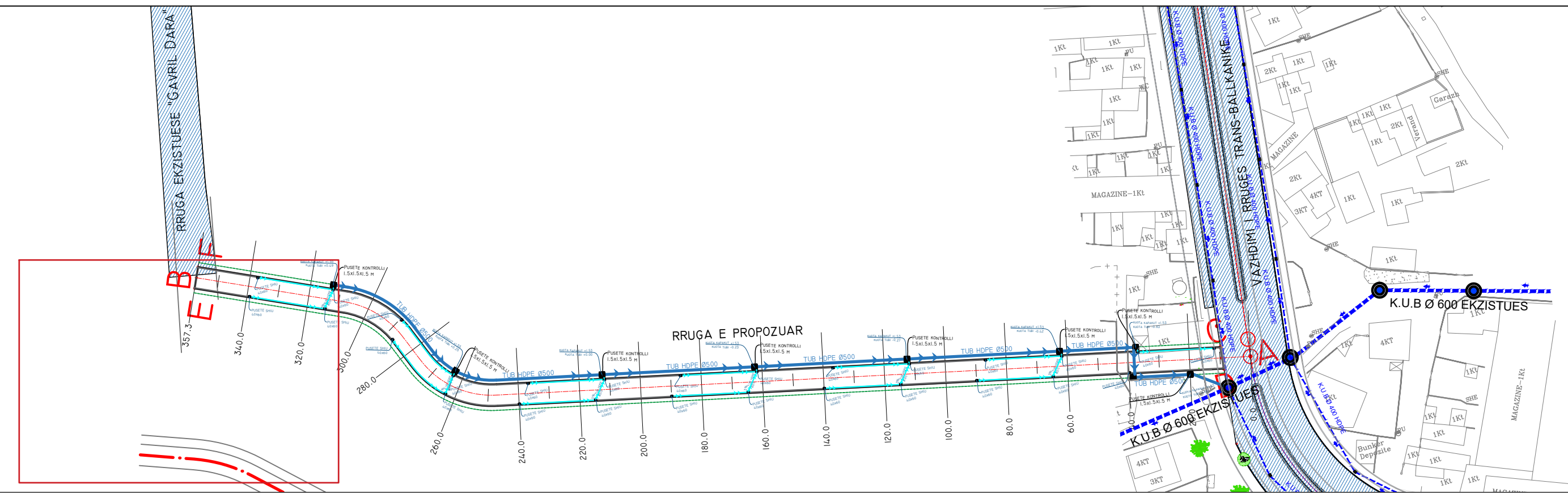
PROJEKTUES (DESIGN TEAM)
d&c partners N.4497/7
design & consulting engineers
 Local Engineering Office (LOC)
 Studio Lokale Inxhinjerieke (VEND)
 Firma:
 Lexoj dhe aprovoj

TITULLI I VIZATIMIT (DRAWING TITLE)
PLANI I KANALIZIMIT TE USH
(RAIN WATER DRAINAGE)

KLIENT: BASHKIA VLORE
 Object: **PROJEKT ZBATIMI**
 VAZHDIMI I RRUGES NE PLAZHIN E
 VJETER, VLORE

DATA (DATE)	PROJEKTUES (DESIGN TEAM)
GUSHT 2024 (AUGUST 2024)	"D&C PARTNERS"
FAZA (PHASE)	SKEDARI DWG (DWG FILE)
PROJEKT-ZBATIMI	PROPOSED DESIGN.DWG

SHKALLA (SCALE)	NR. I VIZATIMIT (DRAWING NO.)
1:250	No. - 04



KILOMETRAZHI	357.3	349.92	344.68	340	334.82	329.98	320.00	313.06	300.00
KUOTAT E TOKES	1.30	1.30	1.26	1.25	1.17	1.02	0.75	1.03	0.97
DISTANCAT PJESORE		9.96	5.24	4.73	5.13	4.85	9.98	6.94	13.06
PJERRSIA		0.01	0.88	0.17	1.50	3.05	10.28	-14.78	0.43
DIFERENCAT		0.00	0.05	0.01	0.08	0.15	1.02	-1.03	0.06
KUOTA E PROJEKTIT	1.57			1.57			1.55		1.55
PJESORE E PROJEKTIT		17.30				20.00			20.00

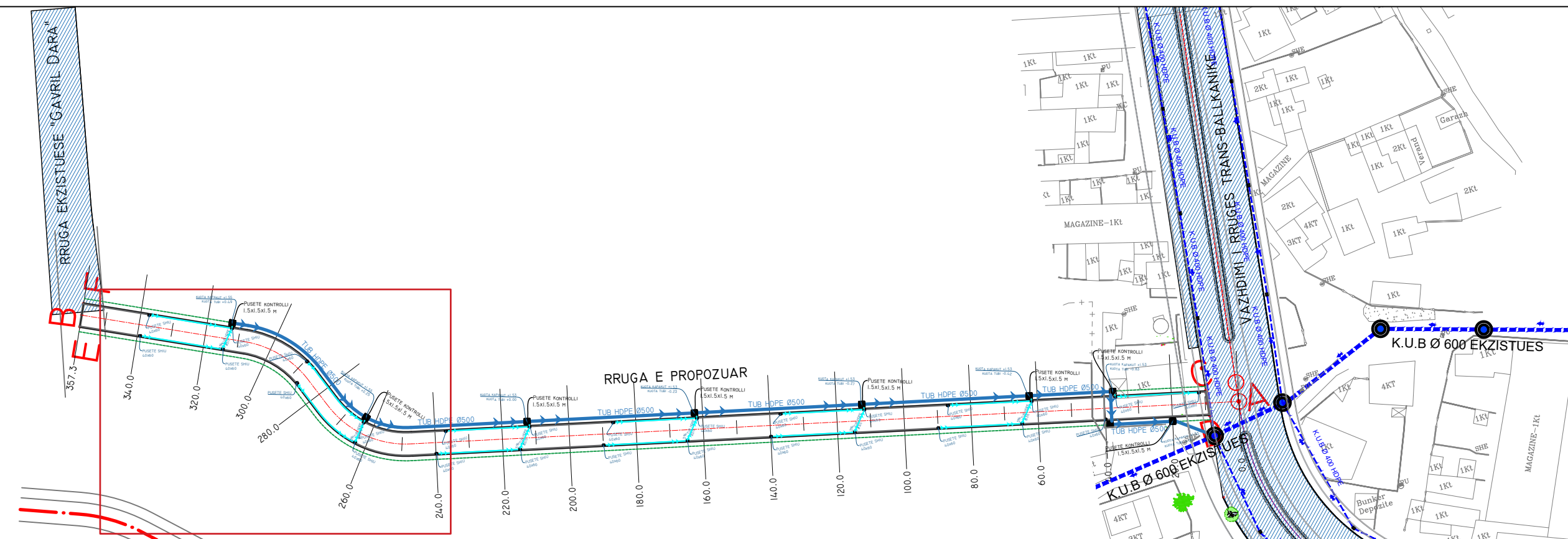
PROJEKTUES (DESIGN TEAM)
d&c partners N.4497/7
design & consulting engineers
 Local Engineering Office (LOC)
 Studio Lokale Inzhinjerike (VEND)
 Firma:
 Lexoj dhe aprovoj

TITULLI I VIZATIMIT (DRAWING TITLE)
PROFILI GJATESORE
 (LONGITUDINAL PROFILE)

KLIENT: BASHKIA VLORE
 Object: **PROJEKT ZBATIMI**
 VAZHDIMI I RRUGES NE PLAZHIN E
 VJETER, VLORE

DATA (DATE)	PROJEKTUES (DESIGN TEAM)
Gusht 2024 (AUGUST 2024)	"D&C PARTNERS"
FAZA (PHASE)	SKEDARI DWG (DWG FILE)
PROJEKT-ZBATIMI	PROPOSED DESIGN.DWG

SHKALLA (SCALE)	NR. I VIZATIMIT (DRAWING NO.)
1:100	No. - 05



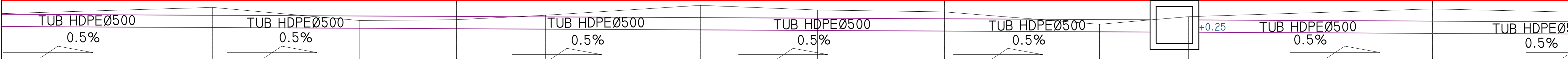
PUSETE KONTROLLI
1.5x1.5x1.5 M

280.00

260.00

PUSETE KONTROLLI
1.5x1.5x1.5 M

240.00



KILOMETRAZHI	290.00	283.96	280.00	276.34	270.00	265.20	260.00	253.64	250.00	240.00
KUOTAT E TOKES	1.26	0.72	0.76	0.94	1.35	1.16	1.08	0.57	0.89	1.20
DISTANCAT PJESORE	10.00	6.04	3.96	3.66	6.34	4.80	5.20	6.36	3.64	10.00
PJERRSIA	-2.91	8.87	-0.88	-5.00	-6.35	3.96	1.46	16.98	-24.31	-3.15
DIFERENCAT	-0.29	0.54	-0.04	-0.18	-0.40	0.19	0.08	1.08	-0.89	-0.31
KUOTA E PROJEKTIT			1.55				1.55			1.55
PJESORE E PROJEKTIT	20.00				20.00					20.00

PROJEKTUES (DESIGN TEAM)

N.4497/7
d&c partners
design & consulting engineers

Local Engineering Office (LOC)
Studio Lokale Inxhinjerieke (VEND)

Firma:
Lexoj dhe aprovoj

TITULLI I VIZATIMIT (DRAWING TITLE)

PROFILI GJATESORE
(LONGITUDINAL PROFILE)

KLIENT: BASHKIA VLORE

Object: **PROJEKT ZBATIMI**

VAZHDMI I RRUGES NE PLAZHIN E
VJETER, VLORE

DATA (DATE) | PROJEKTUES (DESIGN TEAM)

Gusht 2024
(AUGUST 2024) | "D&C PARTNERS"

FAZA (PHASE) | SKEDARI DWG (DWG FILE)

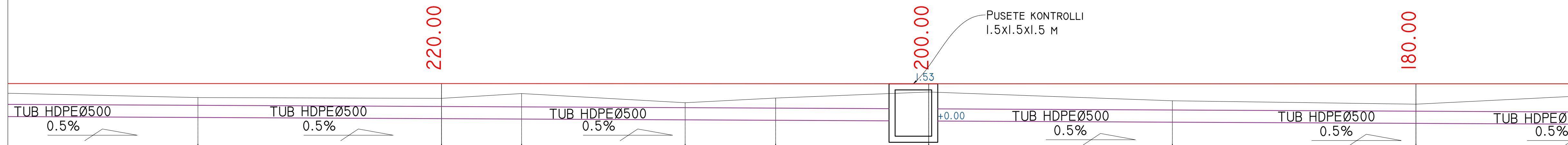
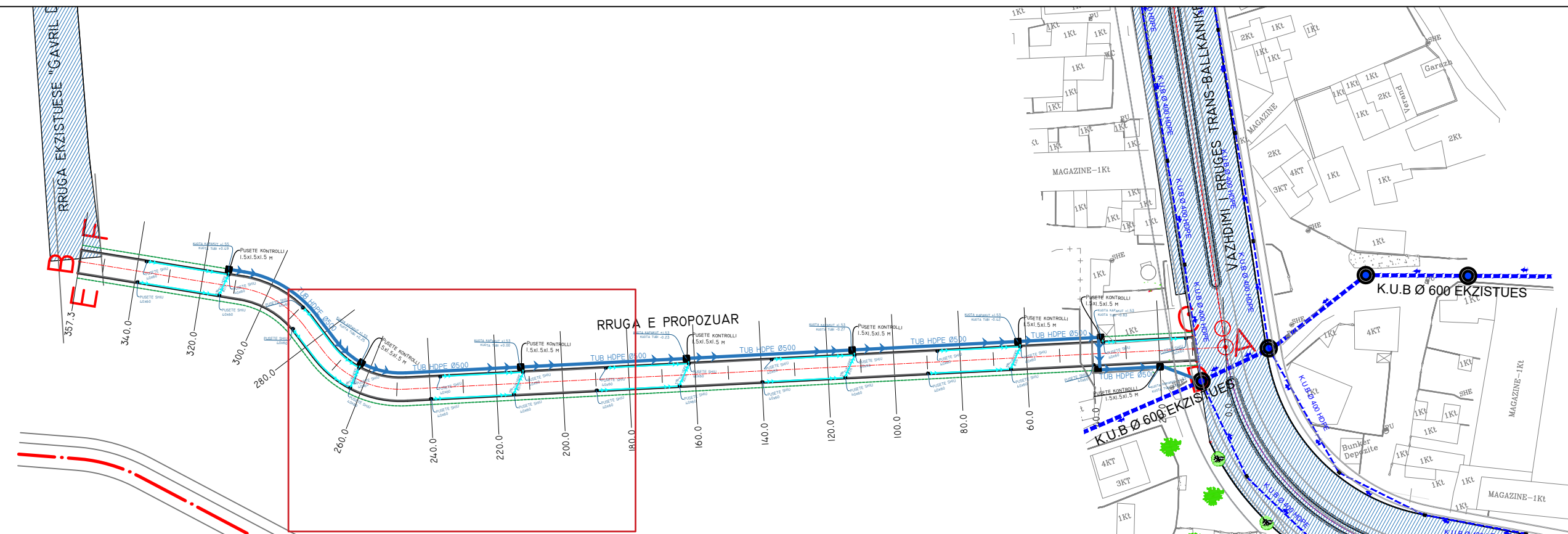
PROJEKT-ZBATIMI | PROPOSED DESIGN.DWG

SHKALLA (SCALE)

1:100

NR. I VIZATIMIT (DRAWING NO.)

No. - 06



KILOMETRAZI	230.00	220.00	216.71	210.00	206.29	200.00	190.00	180.00
KUOTAT E TOKES	0.97	0.94	1.14	0.76	0.95	1.20	0.84	0.70
DISTANCAT PJESORE	10.00	10.00	3.29	6.71	3.71	6.29	10.00	10.00
PJERRSIA	2.30	0.30	-5.96	5.60	-5.17	-3.95	3.60	1.40
DIFERENCAT	0.23	0.03	-0.20	0.38	-0.19	-0.25	0.36	0.14
KUOTA E PROJEKTIT		1.55				1.54		1.54
PJESORE E PROJEKTIT	20.00			20.00			20.00	

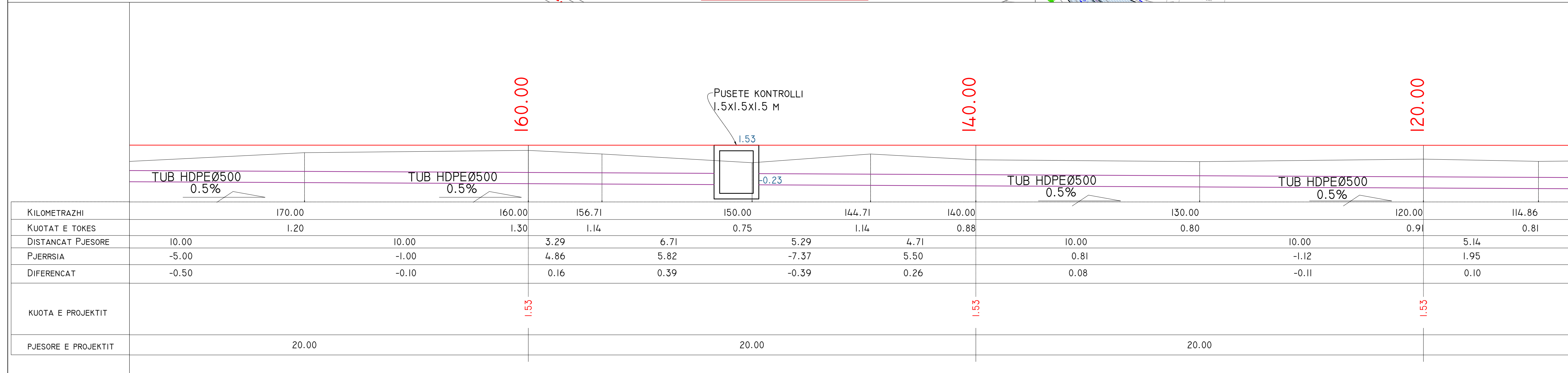
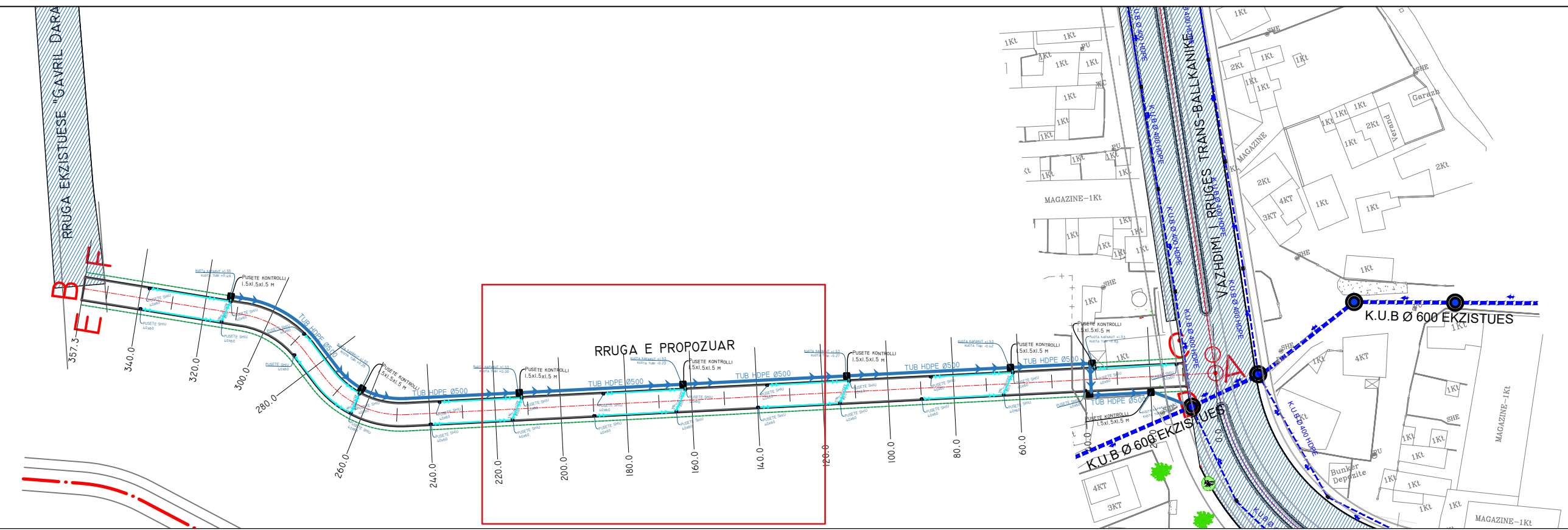
PROJEKTUES (DESIGN TEAM)
d&c partners N.4497/7
design & consulting engineers
 Local Engineering Office (LOC)
 Studio Lokale Inzhinjerike (VEND)
 Firma:
 Lexoj dhe aprovoj

TITULLI I VIZATIMIT (DRAWING TITLE)
PROFILI GJATESORE
 (LONGITUDINAL PROFILE)

KLIENT: BASHKIA VLORE
 Object: **PROJEKT ZBATIMI**
 VAZHDMI I RRUGES NE PLAZHIN E
 VJETER, VLORE

DATA (DATE)	PROJEKTUES (DESIGN TEAM)
GUSHT 2024 (AUGUST 2024)	"D&C PARTNERS"
FAZA (PHASE)	SKEDARI DWG (DWG FILE)
PROJEKT-ZBATIMI	PROPOSED DESIGN.DWG

SHKALLA (SCALE)	NR. I VIZATIMIT (DRAWING NO.)
1:100	No. - 07



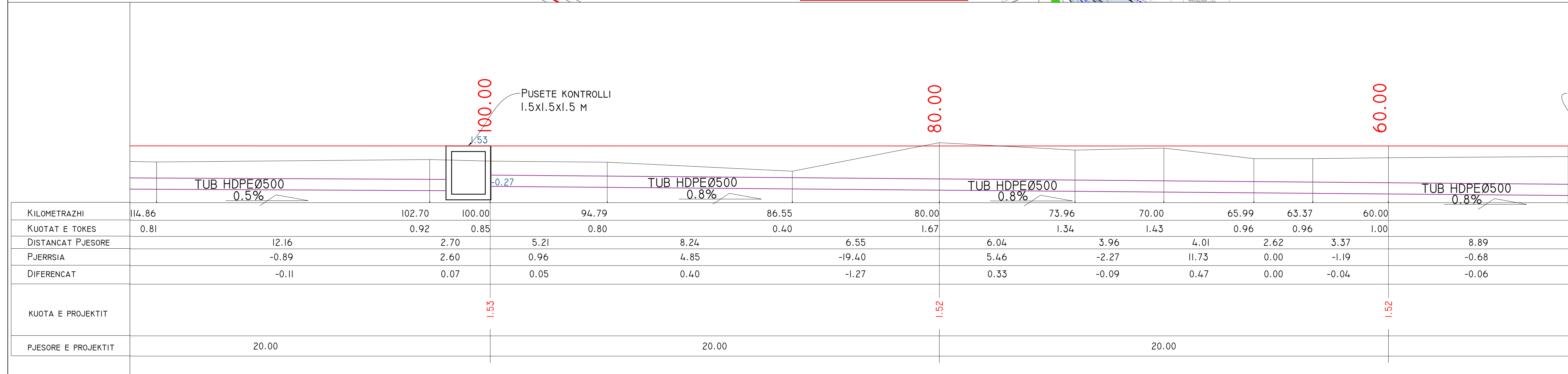
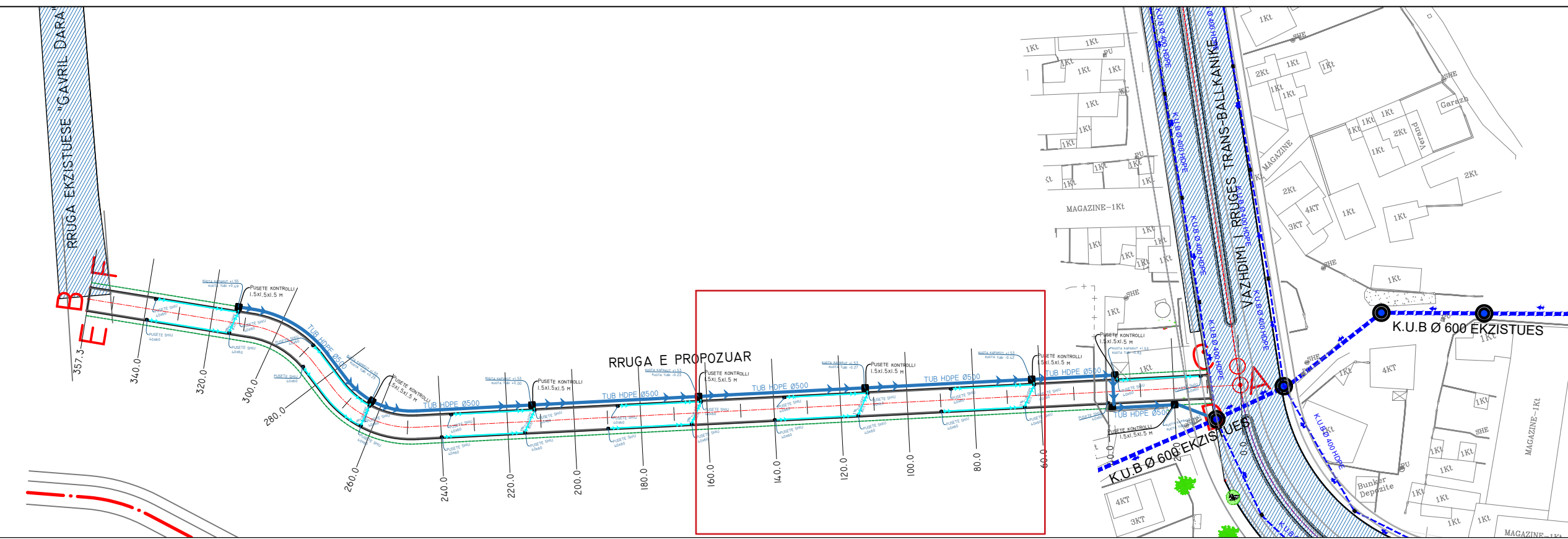
PROJEKTUES (DESIGN TEAM)
d&c partners N.4497/7
design & consulting engineers
 Local Engineering Office (LOC)
 Studio Lokale Inzhinjerike (VEND)
 Firma:
 Lexoj dhe aprovoj

TITULLI I VIZATIMIT (DRAWING TITLE)
PROFILI GJATESORE
 (LONGITUDINAL PROFILE)

KLIENT: BASHKIA VLORE
 Object: **PROJEKT ZBATIMI**
 VAZHDMI I RRUGES NE PLAZHIN E VJETER, VLORE

DATA (DATE)	PROJEKTUES (DESIGN TEAM)
GUSHT 2024 (AUGUST 2024)	"D&C PARTNERS"
FAZA (PHASE)	SKEDARI DWG (DWG FILE)
PROJEKT-ZBATIMI	PROPOSED DESIGN.DWG

SHKALLA (SCALE)	NR. I VIZATIMIT (DRAWING NO.)
1:100	No. - 08



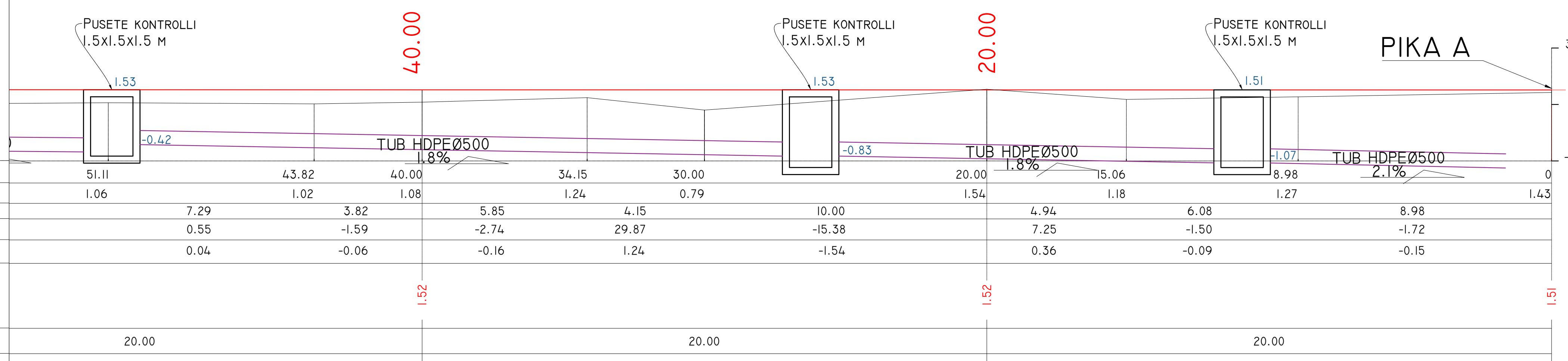
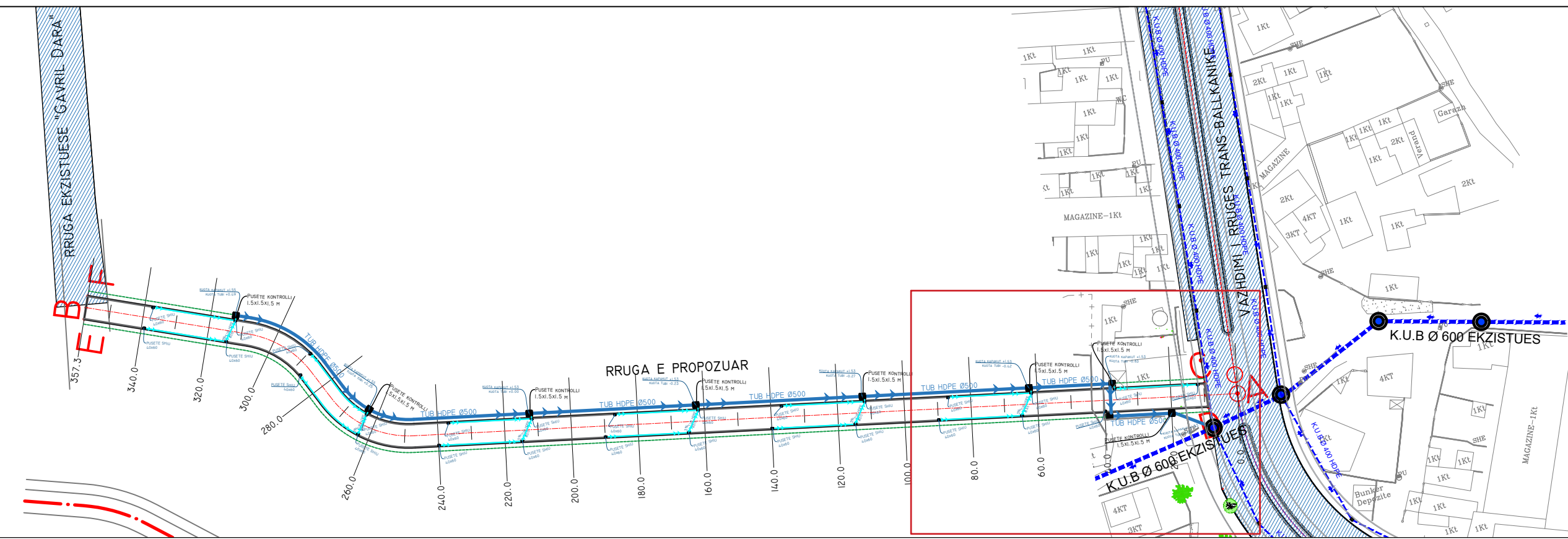
PROJEKTUES (DESIGN TEAM)
d&c partners N.4497/7
design & consulting engineers
 Local Engineering Office (LOC)
 Studio Lokale Inzhinjerike (VEND)
 Firma:
 Lexoj dhe aprovoj

TITULLI I VIZATIMIT (DRAWING TITLE)
PROFILI GJATESORE
(LONGITUDINAL PROFILE)

KLIENT: BASHKIA VLORE
 Object: **PROJEKT ZBATIMI**
 VAZHDMI I RRUGES NE PLAZHIN E VJETER, VLORE

DATA (DATE)	PROJEKTUES (DESIGN TEAM)
Gusht 2024 (AUGUST 2024)	"D&C PARTNERS"
FAZA (PHASE)	SKEDARI DWG (DWG FILE)
PROJEKT-ZBATIMI	PROPOSED DESIGN.DWG

SHKALLA (SCALE)	NR. I VIZATIMIT (DRAWING NO.)
1:100	No. - 09



KILOMETRAZHI	51.11	43.82	40.00	34.15	30.00	20.00	15.06	8.98	0
KUOTAT E TOKES	1.06	1.02	1.08	1.24	0.79	1.54	1.18	1.27	1.43
DISTANCAT PJESORE		7.29	3.82	5.85	4.15	10.00	4.94	6.08	8.98
PJERRSIA		0.55	-1.59	-2.74	29.87	-15.38	7.25	-1.50	-1.72
DIFERENCAT		0.04	-0.06	-0.16	1.24	-1.54	0.36	-0.09	-0.15
KUOTA E PROJEKTIT			1.52			1.52			1.51
PJESORE E PROJEKTIT		20.00			20.00			20.00	

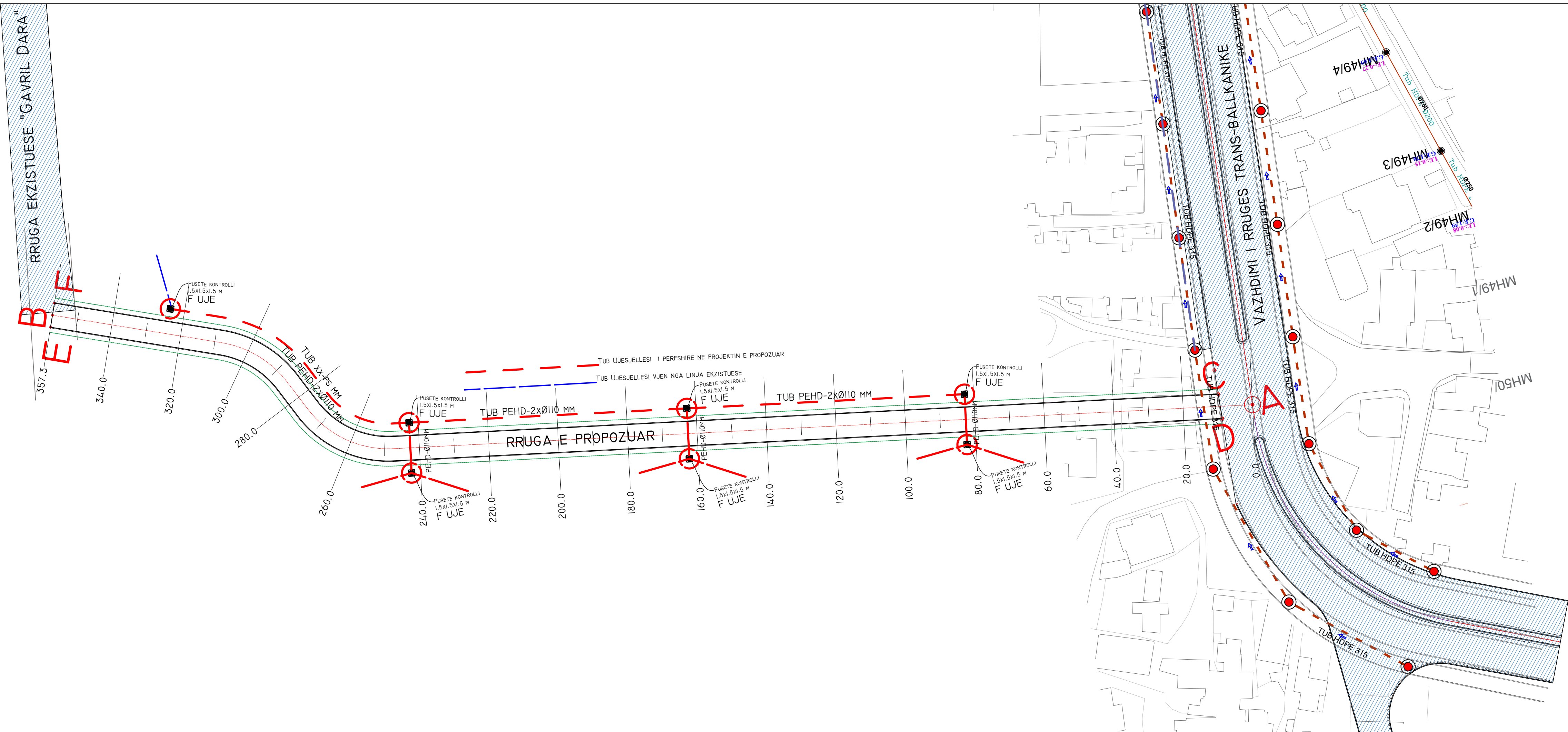
PROJEKTUES (DESIGN TEAM)
N.4497/7
d&c partners
design & consulting engineers
 Local Engineering Office (LOC)
 Studio Lokale Inxhinjerieke (VEND)
 Firma:
 Lexoj dhe aprovoj

TITULLI I VIZATIMIT (DRAWING TITLE)
PROFILI GJATESORE
(LONGITUDINAL PROFILE)

KLIENT: BASHKIA VLORE
 Object: **PROJEKT ZBATIMI**
 VAZHDMI I RRUGES NE PLAZHIN E VJETER, VLORE

DATA (DATE)	PROJEKTUES (DESIGN TEAM)
Gusht 2024 (AUGUST 2024)	"D&C PARTNERS"
FAZA (PHASE)	SKEDARI DWG (DWG FILE)
PROJEKT-ZBATIMI	PROPOSED DESIGN.DWG

SHKALLA (SCALE)	NR. I VIZATIMIT (DRAWING NO.)
1:100	No. - 10



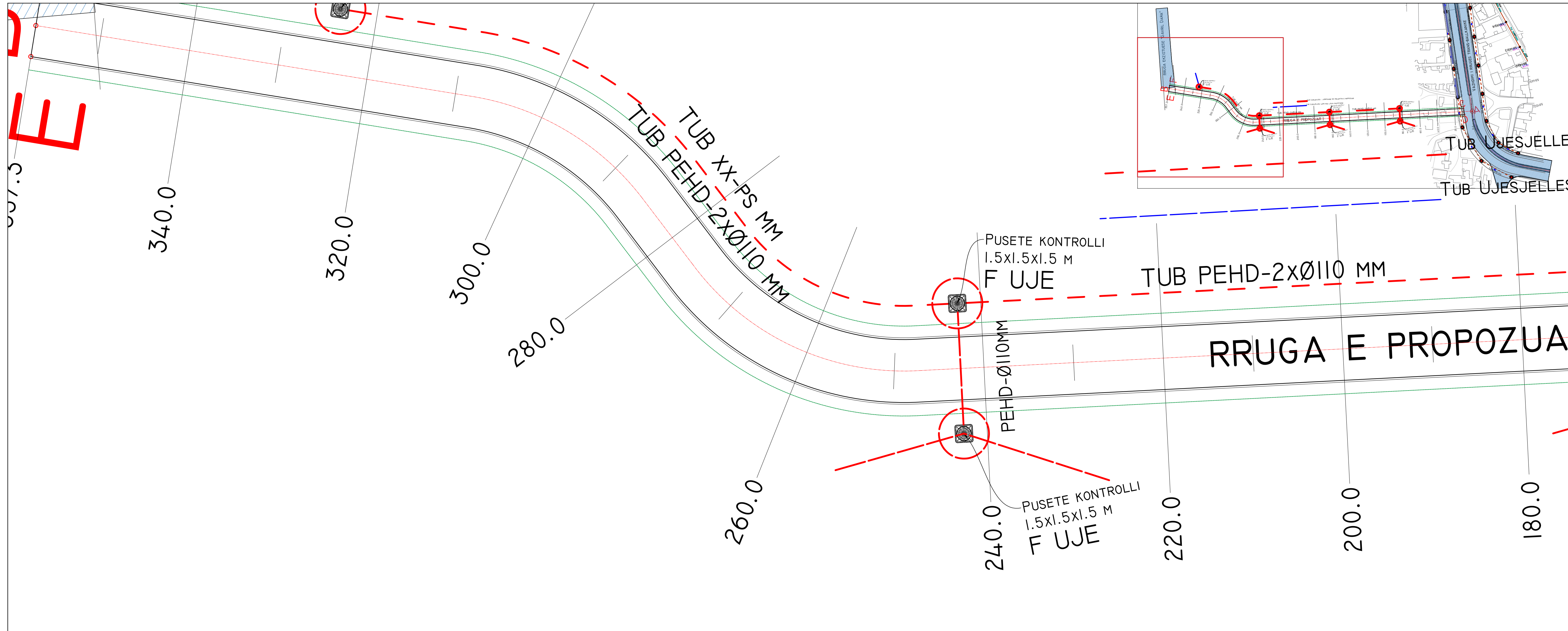
PROJEKTUES (DESIGN TEAM)
 N.4497/7
d&c partners
 design & consulting engineers
 Local Engineering Office (LOC)
 Studio Lokale Inzhinjerike (VEND)
 Firma:
 Lexoj dhe aprovoj

TITULLI I VIZATIMIT (DRAWING TITLE)
PLANI I FURNIZIMIT ME UJE
(WATER SUPPLY PLAN)

KLIENT: BASHKIA VLORE
 Object: **PROJEKT ZBATIMI**
 VAZHIMI I RRUGES NE PLAZHIN E
 VJETER, VLORE

DATA (DATE)	PROJEKTUES (DESIGN TEAM)
GUSHT 2024 (AUGUST 2024)	"D&C PARTNERS"
FAZA (PHASE)	SKEDARI DWG (DWG FILE)
PROJEKT-ZBATIMI	PROPOSED DESIGN.DWG

SHKALLA (SCALE)	NR. I VIZATIMIT (DRAWING NO.)
1:750	No. - 01



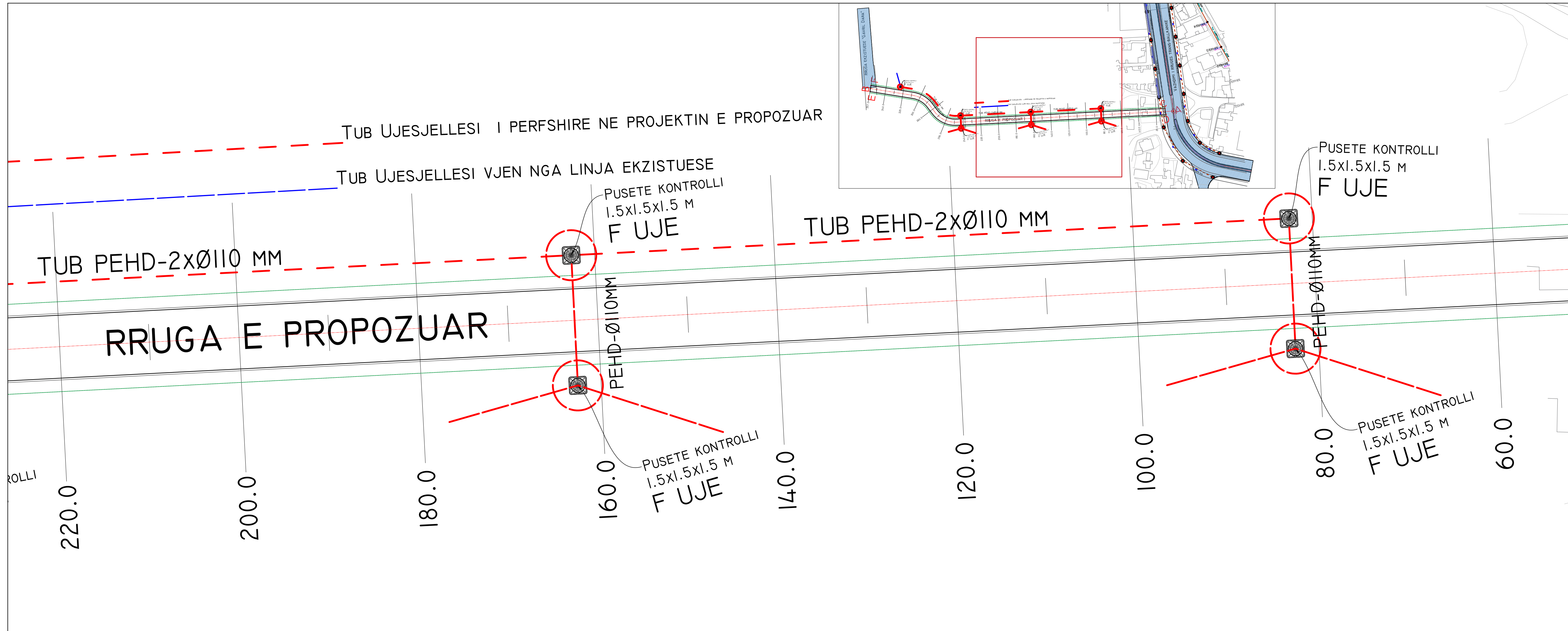
PROJEKTUES (DESIGN TEAM)	
N.4497/7	
d&c partners design & consulting engineers	
Local Engineering Office (LOC)	Firma: Lexoj dhe aprovoj
Studio Lokale Inzhinjerike (VEND)	

TITULLI I VIZATIMIT (DRAWING TITLE)	
PLANI I FURNIZIMIT ME UJE (WATER SUPPLY PLAN)	

KLIENT: BASHKIA VLORE	
Object	PROJEKT ZBATIMI
VAZHDIMI I RRUGES NE PLAZHIN E VJETER, VLORE	

DATA (DATE)	PROJEKTUES (DESIGN TEAM)
GUSHT 2024 (AUGUST 2024)	"D&C PARTNERS"
FAZA (PHASE)	SKEDARI DWG (DWG FILE)
PROJEKT-ZBATIMI	PROPOSED DESIGN.DWG

SHKALLA (SCALE)	NR. I VIZATIMIT (DRAWING NO.)
1:250	No. - 02



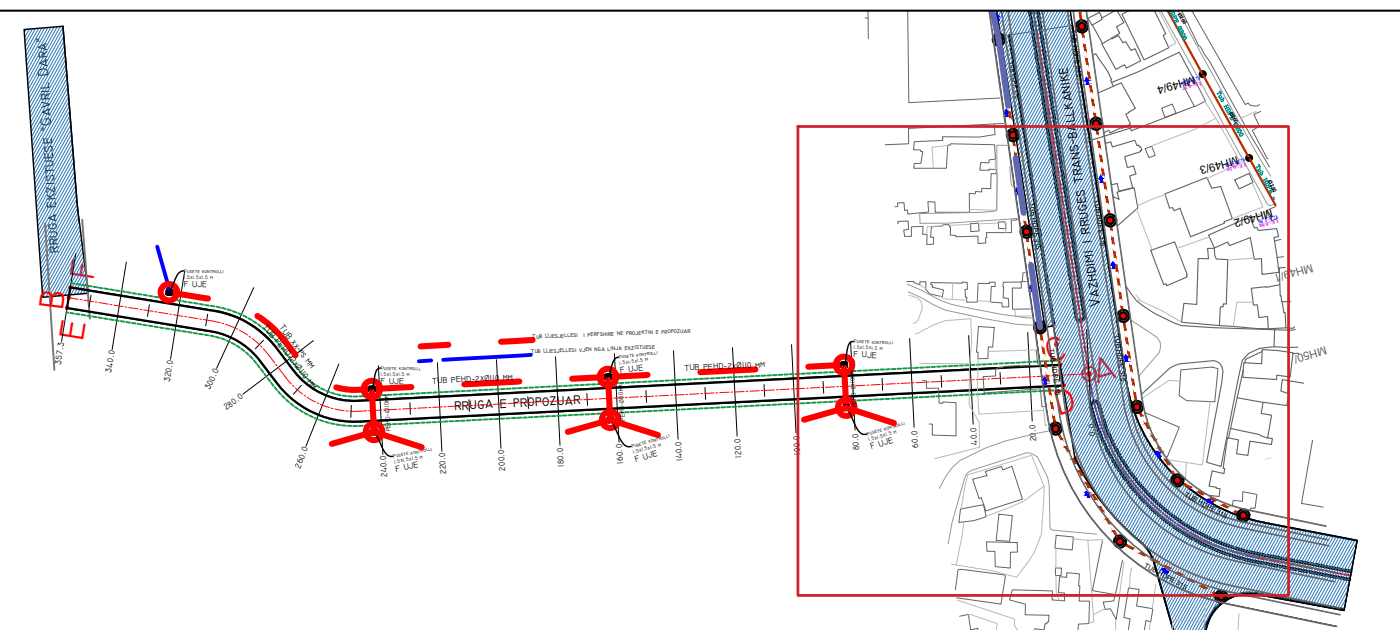
PROJEKTUES (DESIGN TEAM)	
N.4497/7	
d&c partners design & consulting engineers	
Local Engineering Office (LOC)	Firma: Lexoj dhe aprovoj
Studio Lokale Inxhinjerike (VEND)	

TITULLI I VIZATIMIT (DRAWING TITLE)
PLANI I FURNIZIMIT ME UJE (WATER SUPPLY PLAN)

KLIENT: BASHKIA VLORE	
Object	PROJEKT ZBATIMI
VAZHDIMI I RRUGES NE PLAZHIN E VJETER, VLORE	

DATA (DATE)	PROJEKTUES (DESIGN TEAM)
GUSHT 2024 (AUGUST 2024)	"D&C PARTNERS"
FAZA (PHASE)	SKEDARI DWG (DWG FILE)
PROJEKT-ZBATIMI	PROPOSED DESIGN.DWG

SHKALLA (SCALE)	NR. I VIZATIMIT (DRAWING NO.)
1:250	No. - 03



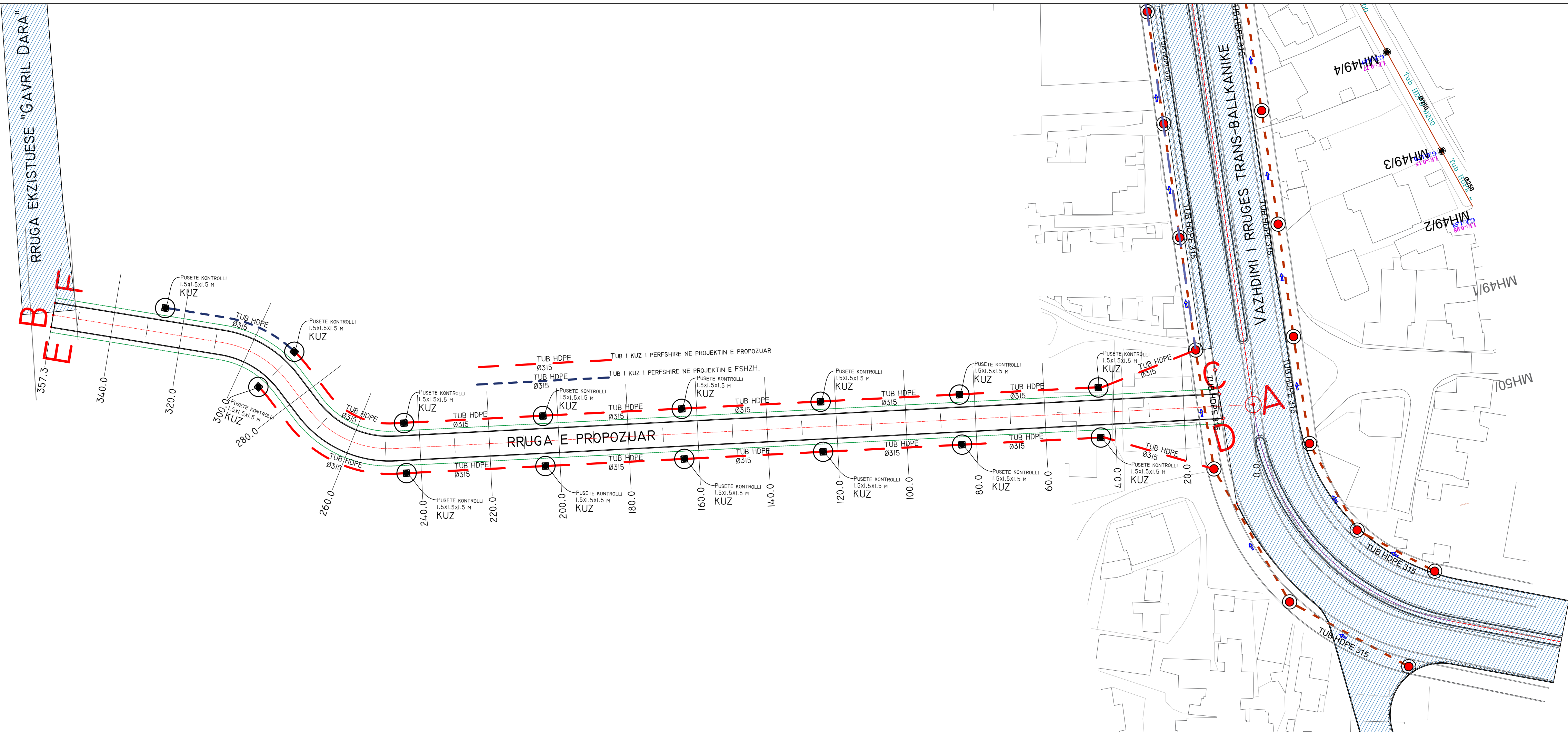
PROJEKTUES (DESIGN TEAM)	
N.4497/7	
d&c partners <small>design & consulting engineers</small>	
Local Engineering Office (LOC)	Firma: Lexoj dhe aprovoj
Studio Lokale Inzhinjerike (VEND)	

TITULLI I VIZATIMIT (DRAWING TITLE)	
PLANI I FURNIZIMIT ME UJE (WATER SUPPLY PLAN)	

KLIENT: BASHKIA VLORE	
Object	PROJEKT ZBATIMI
VAZHDIMI I RRUGES NE PLAZHIN E VJETER, VLORE	

DATA (DATE)	PROJEKTUES (DESIGN TEAM)
Gusht 2024 (AUGUST 2024)	"D&C PARTNERS"
FAZA (PHASE)	SKEDARI DWG (DWG FILE)
PROJEKT-ZBATIMI	PROPOSED DESIGN.DWG

SHKALLA (SCALE)	NR. I VIZATIMIT (DRAWING NO.)
1:250	No. - 04



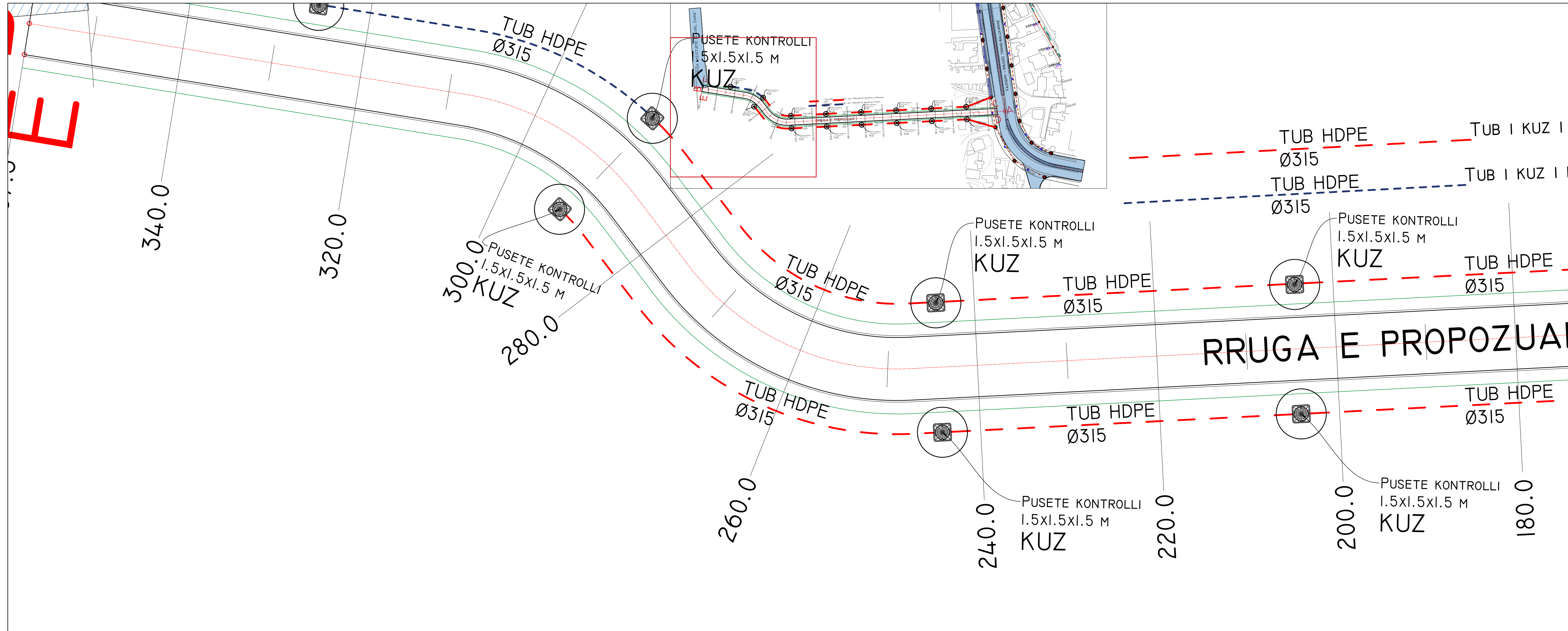
PROJEKTUES (DESIGN TEAM)
d&c partners N.4497/7
design & consulting engineers
 Local Engineering Office (LOC)
 Studio Lokale Inzhinjerike (VEND)
 Firma:
 Lexoj dhe aprovoj

TITULLI I VIZATIMIT (DRAWING TITLE)
PLANI I KANALIZIMIT TE USH
(RAIN WATER DRAINAGE)

KLIENT: BASHKIA VLORE
 Object: **PROJEKT ZBATIMI**
 VAZHIMI I RRUGES NE PLAZHIN E
 VJETER, VLORE

DATA (DATE)	PROJEKTUES (DESIGN TEAM)
GUSHT 2024 (AUGUST 2024)	"D&C PARTNERS"
FAZA (PHASE)	SKEDARI DWG (DWG FILE)
PROJEKT-ZBATIMI	PROPOSED DESIGN.DWG

SHKALLA (SCALE)	NR. I VIZATIMIT (DRAWING NO.)
1:750	No. - 01



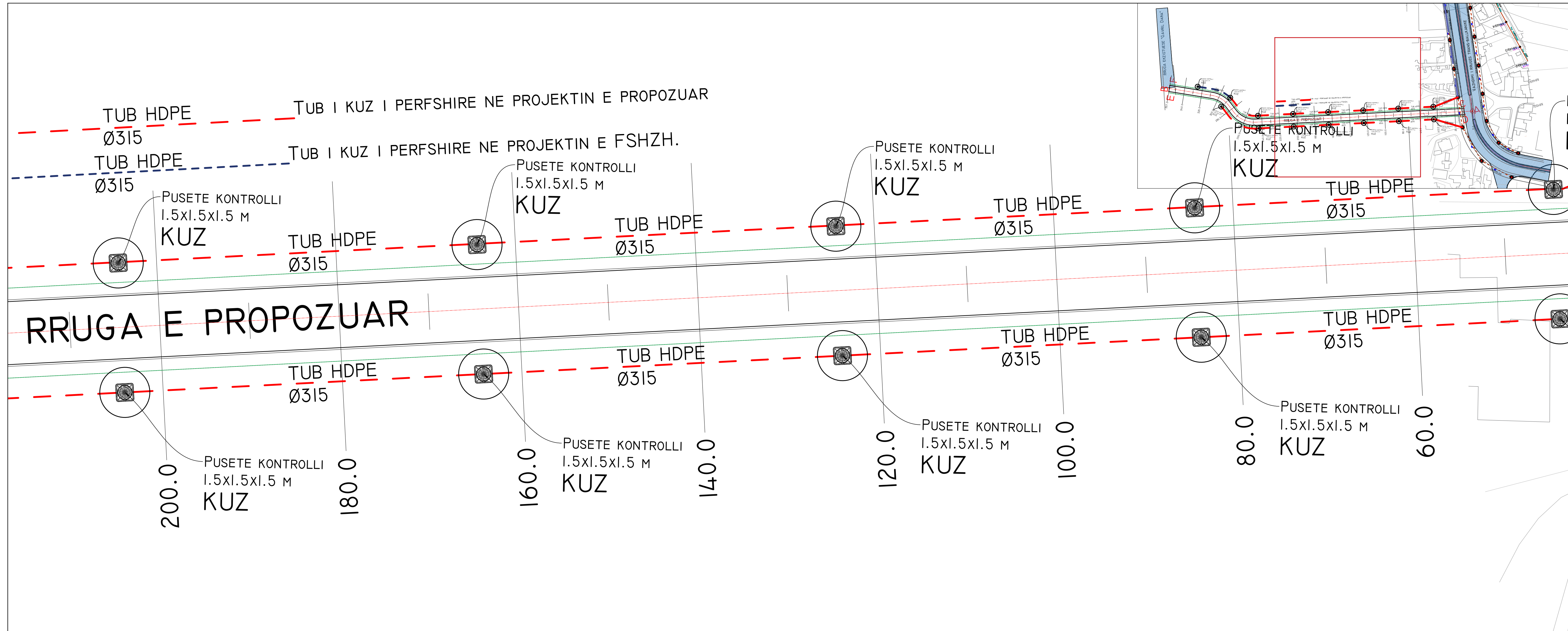
PROJEKTUES (DESIGN TEAM)	
N.4497/7	
d&c partners design & consulting engineers	
Local Engineering Office (LOC)	Firma: Lexoj dhe aprovoj
Studio Lokale Inzhinjerike (VEND)	

TITULLI I VIZATIMIT (DRAWING TITLE)	
PLANI I KANALIZIMIT TE UZ (SEWAGE WATER DRAINAGE)	

KLIENT: BASHKIA VLORE	
Object	PROJEKT ZBATIMI
VAZHDIMI I RRUGES NE PLAZHIN E VJETER, VLORE	

DATA (DATE)	PROJEKTUES (DESIGN TEAM)
GUSHT 2024 (AUGUST 2024)	"D&C PARTNERS"
FAZA (PHASE)	SKEDARI DWG (DWG FILE)
PROJEKT-ZBATIMI	PROPOSED DESIGN.DWG

SHKALLA (SCALE)	NR. I VIZATIMIT (DRAWING NO.)
1:250	No. - 02



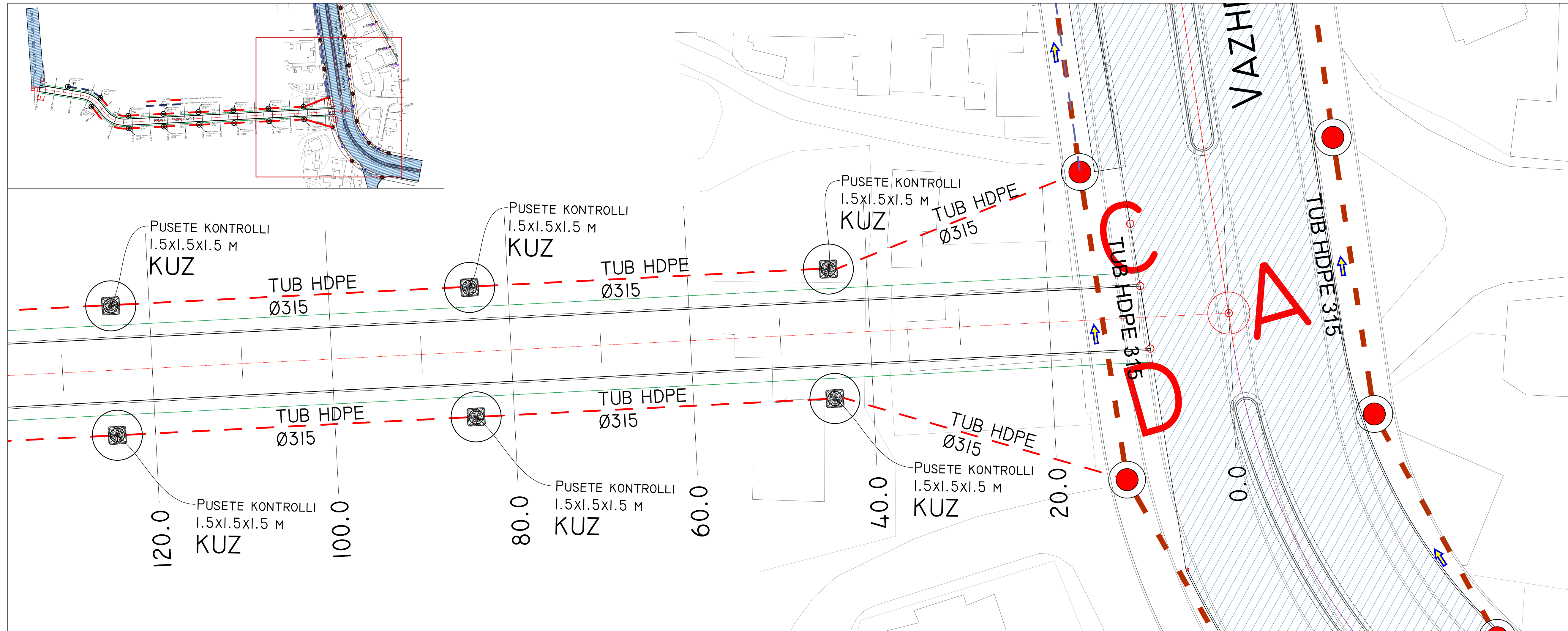
PROJEKTUES (DESIGN TEAM)	
N.4497/7	
d&c partners design & consulting engineers	
Local Engineering Office (LOC)	Firma: Lexoj dhe aprovoj
Studio Lokale Inxhinjerie (VEND)	


TITULLI I VIZATIMIT (DRAWING TITLE)	
PLANI I KANALIZIMIT TE UZ (SEWAGE WATER DRAINAGE)	

KLIENT: BASHKIA VLORE	
Object	PROJEKT ZBATIMI
VAZHDIMI I RRUGES NE PLAZHIN E VJETER, VLORE	

DATA (DATE)	PROJEKTUES (DESIGN TEAM)
GUSHT 2024 (AUGUST 2024)	"D&C PARTNERS"
FAZA (PHASE)	SKEDARI DWG (DWG FILE)
PROJEKT-ZBATIMI	PROPOSED DESIGN.DWG

SHKALLA (SCALE)	NR. I VIZATIMIT (DRAWING NO.)
1:250	No. - 03



PROJEKTUES (DESIGN TEAM)	
N.4497/7	
	
Local Engineering Office (LOC)	Firma: Lexoj dhe aprovoj
Studio Lokale Inxhinjerieke (VEND)	

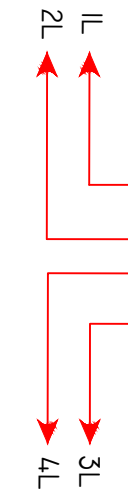
TITULLI I VIZATIMIT (DRAWING TITLE)
PLANI I KANALIZIMIT TE UZ (SEWAGE WATER DRAINAGE)

KLIENT: BASHKIA VLORE
Object: PROJEKT ZBATIMI
VAZHDIMI I RRUGES NE PLAZHIN E VJETER, VLORE

DATA (DATE)	PROJEKTUES (DESIGN TEAM)
GUSHT 2024 (AUGUST 2024)	"D&C PARTNERS"
FAZA (PHASE)	SKEDARI DWG (DWG FILE)
PROJEKT-ZBATIMI	PROPOSED DESIGN.DWG

SHKALLA (SCALE)	NR. I VIZATIMIT (DRAWING NO.)
1:250	No. - 04

SHTYLLA COPE	GJATESIA ML	SEKSIONI MM2	FUQIA KV
13	302	5x16	2.7
13	313	5x16	2.7
3	126	5x16	1.2
3	114	5x16	1.2

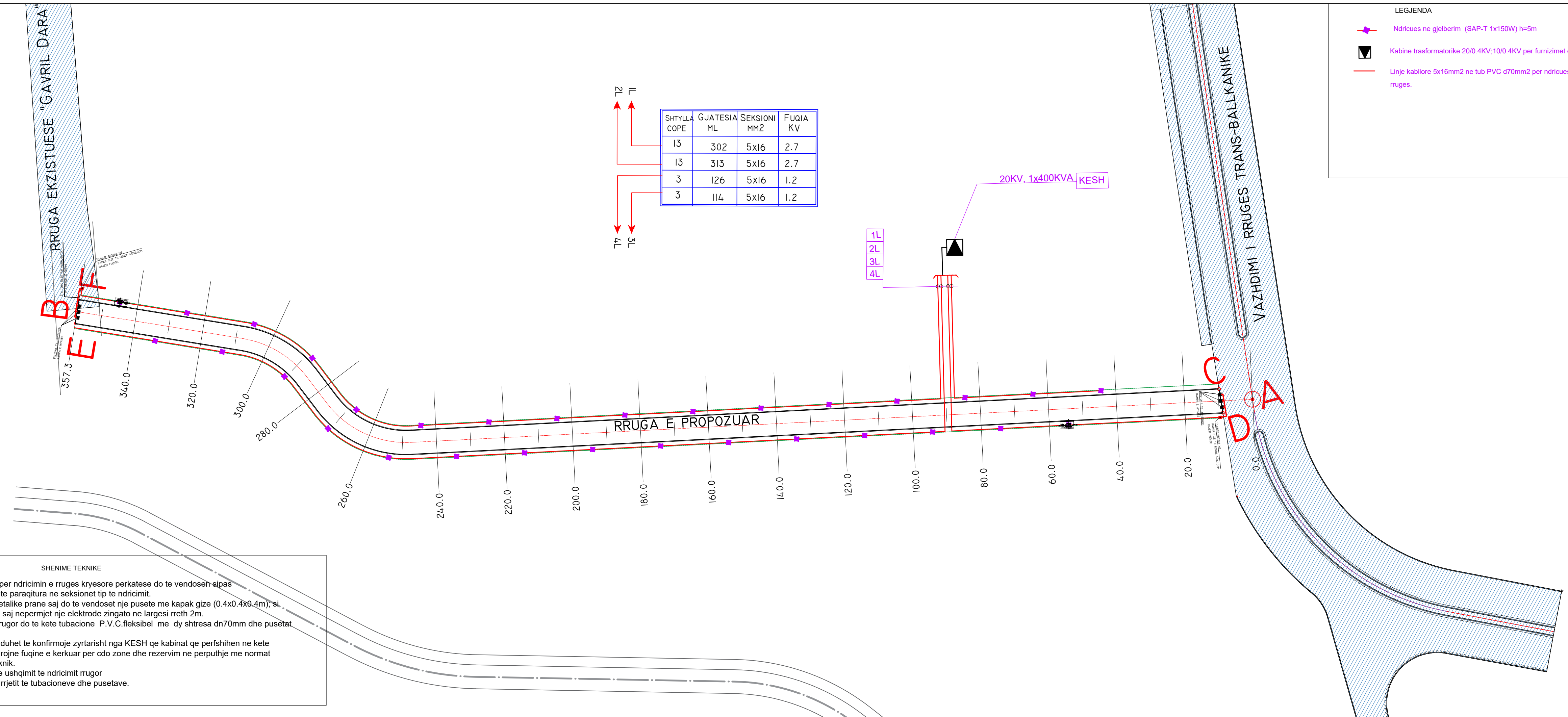


20KV, 1x400KVA KESH

1L
2L
3L
4L

LEGJENDA

- Ndricues ne gjelberim (SAP-T 1x150W) h=5m
- Kabine trasformatorike 20/0.4KV;10/0.4KV per furnizimet e ndricimit te zonave
- Linje kablore 5x16mm2 ne tub PVC d70mm2 per ndricuesat ne aksin e rruges.



- SHENIME TEKNIKE**
- Shtyllat metalike per ndricimin e rruges kryesore perkatese do te vendosen sipas prerjeve terthore te paraqitura ne seksionet tip te ndricimit.
 - Ne cdo shtylle metalike prane saj do te vendoset nje pusete me kapak gize (0.4x0.4x0.4m); si edhe tokezimin e saj nepermjet nje elektrode zingate ne largesi rreth 2m.
 - Rrjeti i ndricimit rrugor do te kete tubacione P.V.C.fleksibel me dy shtresa dn70mm dhe pusetat 0.4x0.4x0.5m.
 - Bashkia e qytetit duhet te konfirmoje zyrtarisht nga KESH qe kabinat qe perfshihen ne kete projekt do te sigurojne fuqine e kerkuar per cdo zone dhe rezervim ne perputhje me normat dhe sigurimin teknik.
 - Te shifet skema e ushqimit te ndricimit rrugor
 - Te shifen fletet e rrjetit te tubacioneve dhe pusetave.

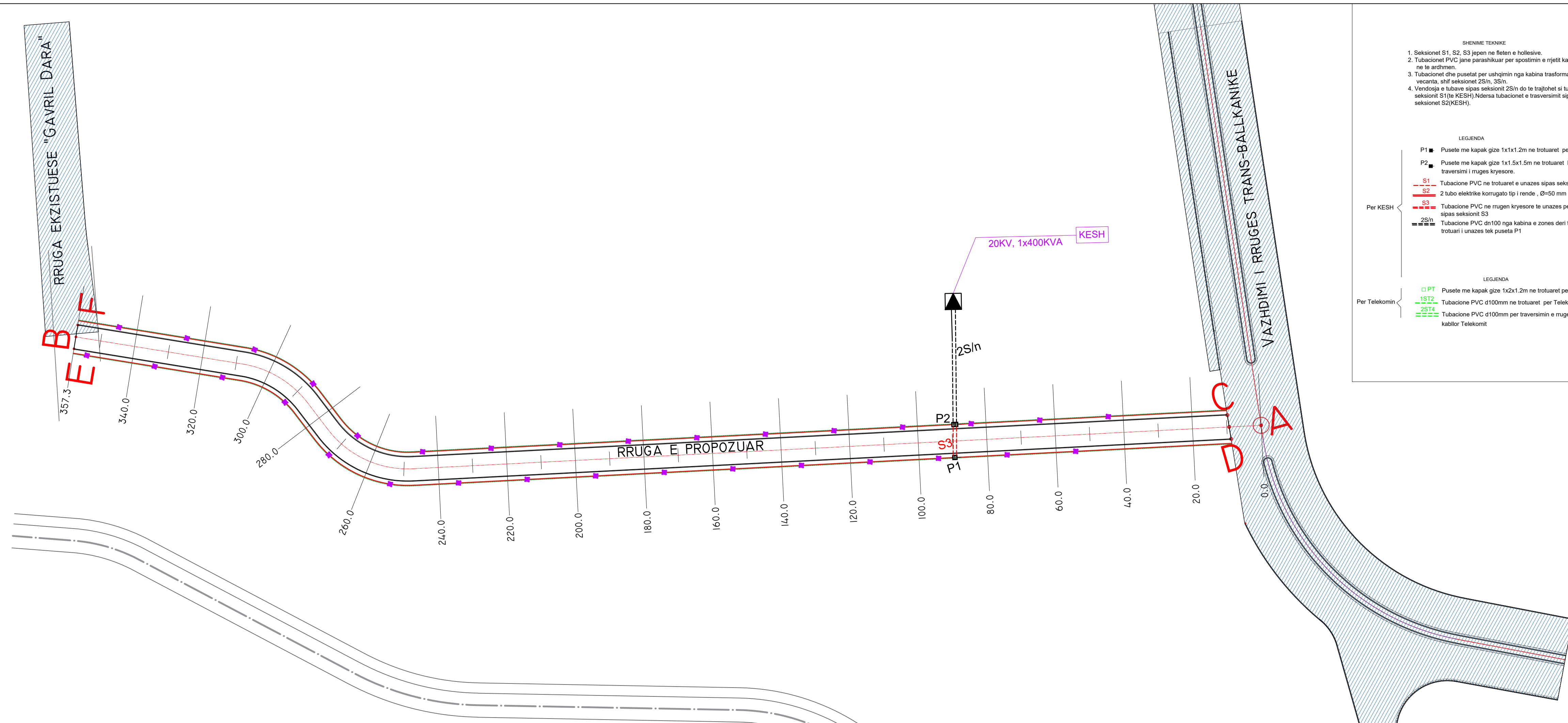
PROJEKTUES (DESIGN TEAM)
d&c partners N.4497/7
design & consulting engineers
 Local Engineering Office (LOC)
 Studio Lokale Inzhinjerike (VEND)
 Firma:
 Lexoj dhe aprovoj

TITULLI I VIZATIMIT (DRAWING TITLE)
PLANIMETRIA E NDRICIMIT
 (LIGHTING PLAN)

KLIENT: BASHKIA VLORE
 Object: **PROJEKT ZBATIMI**
 VAZHDIMI I RRUGES NE PLAZHIN E VJETER, VLORE

DATA (DATE)	PROJEKTUES (DESIGN TEAM)
GUSHT 2024 (AUGUST 2024)	"D&C PARTNERS"
FAZA (PHASE)	SKEDARI DWG (DWG FILE)
PROJEKT-ZBATIMI	PROPOSED DESIGN.DWG

SHKALLA (SCALE)	NR. I VIZATIMIT (DRAWING NO.)
1:750	No. - 01



- SHENIME TEKNIKE
- Seksionet S1, S2, S3 jepen ne fleten e hollesive.
 - Tubacionet PVC jane parashikuar per spostimin e rrjetit kablor egzistues si edhe per rrjetin ne te ardhmen.
 - Tubacionet dhe pusetet per ushqimin nga kabina trasformatorike e ndricimit rrugor jane te vecanta, shifri seksionit 2S/n, 3S/n.
 - Vendosja e tubave sipas seksionit 2S/n do te trajtohet si tubacionet ne trotuares sipas seksionit S1 (te KESH). Ndersa tubacionet e trasversimit sipas seksionit 3S/n do te trajtohen si seksionet S2 (KESH).

- LEGJENDA
- P1 ■ Pusete me kapak gize 1x1x1.2m ne trotuares per rrjetin kablor.
 - P2 ■ Pusete me kapak gize 1x1.5x1.5m ne trotuares ku behet kryesisht trasversimi i rruges kryesore.
 - S1 - - - Tubacione PVC ne trotuares e unazes sipas seksionit S1
 - S2 - - - 2 tubo elektrike korrugato tip i rende , Ø=50 mm
 - S3 - - - Tubacione PVC ne rrugen kryesore te unazes per trasversimin e saj sipas seksionit S3
 - 2S/n - - - Tubacione PVC dn100 nga kabina e zones deri tek trotuari i unazes tek puseta P1

- LEGJENDA
- PT □ Pusete me kapak gize 1x2x1.2m ne trotuares per rrjetin kablor te Telekomit
 - 1S1/2 - - - Tubacione PVC d100mm ne trotuares per Telekomit
 - 2S1/4 - - - Tubacione PVC d100mm per trasversimin e rruges kryesore per rrjetin kablor Telekomit

PROJEKTUES (DESIGN TEAM)

N.4497/7

d&c partners
design & consulting engineers

Local Engineering Office (LOC)
Studio Lokale Inzhinjerike (VEND)

Firma:
Lexoj dhe aprovoj

TITULLI I VIZATIMIT (DRAWING TITLE)

**PLANIMETRIA E NDRICIMIT
(PUSETAT)
(LIGHTING PLAN)**

KLIENT: BASHKIA VLORE

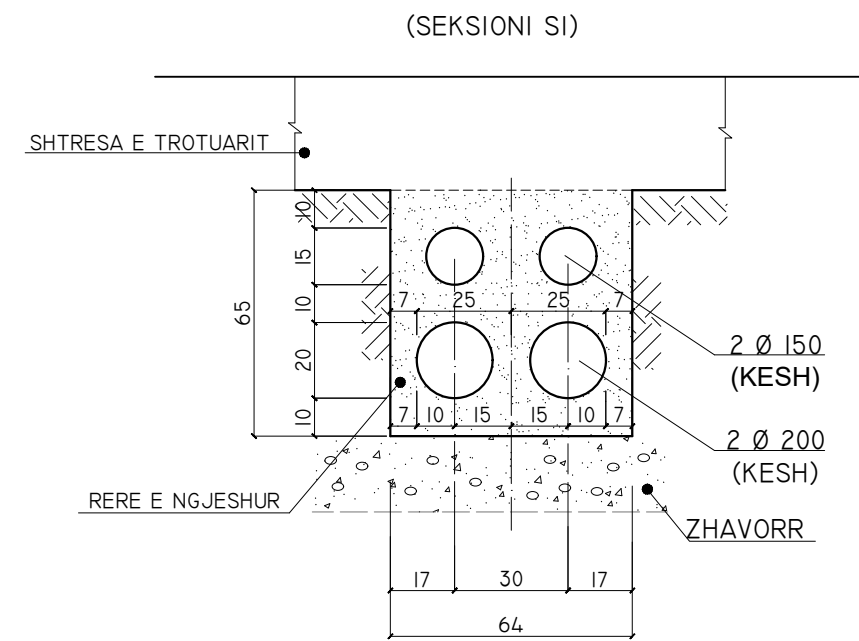
Object: **PROJEKT ZBATIMI**

VAZHIMI I RRUGES NE PLAZHIN E VJETER, VLORE

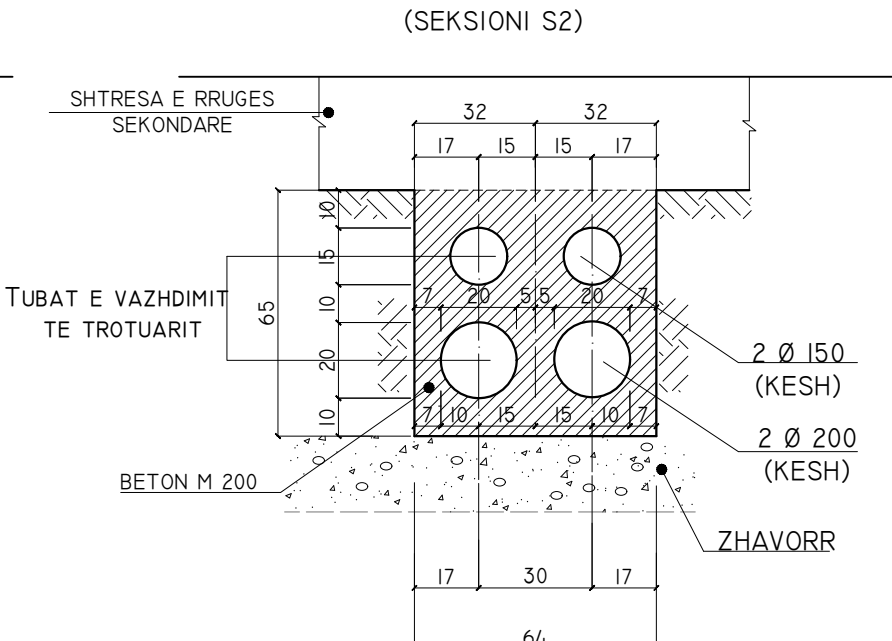
DATA (DATE)	PROJEKTUES (DESIGN TEAM)
GUSHT 2024 (AUGUST 2024)	"D&C PARTNERS"
FAZA (PHASE)	SKEDARI DWG (DWG FILE)
PROJEKT-ZBATIMI	PROPOSED DESIGN.DWG

SHKALLA (SCALE)	NR. I VIZATIMIT (DRAWING NO.)
1:750	No. - 02

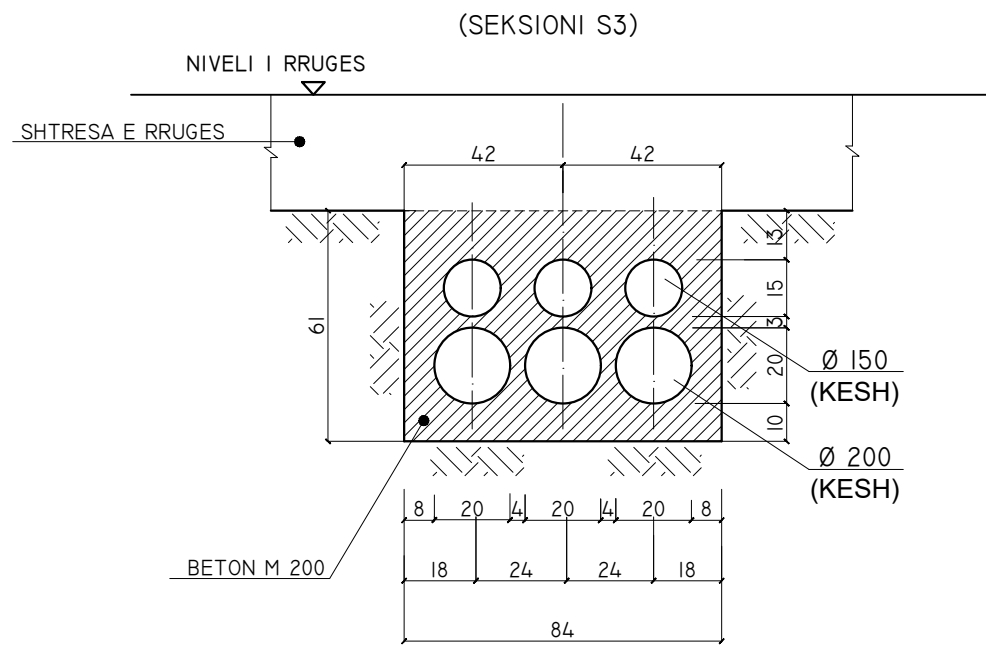
PRERJE MIDIS DY PUSETAVE NE TROTUAR SH.1:20



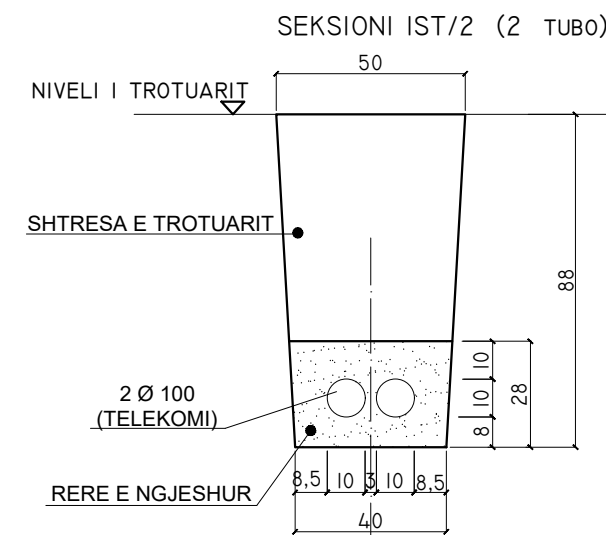
TUBACIONET E INTERSEKTIMIT TE RRUGES SEKONDARE ME UNAZEN SH.1:20



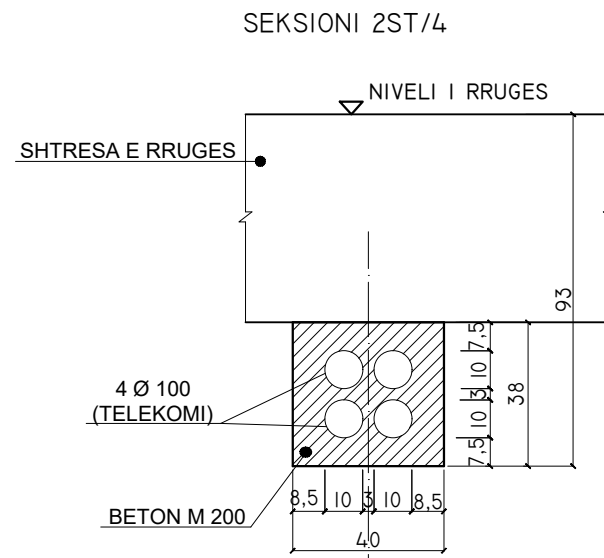
TRANVERSIMI I RRUGES SE UNAZES SH.1:20



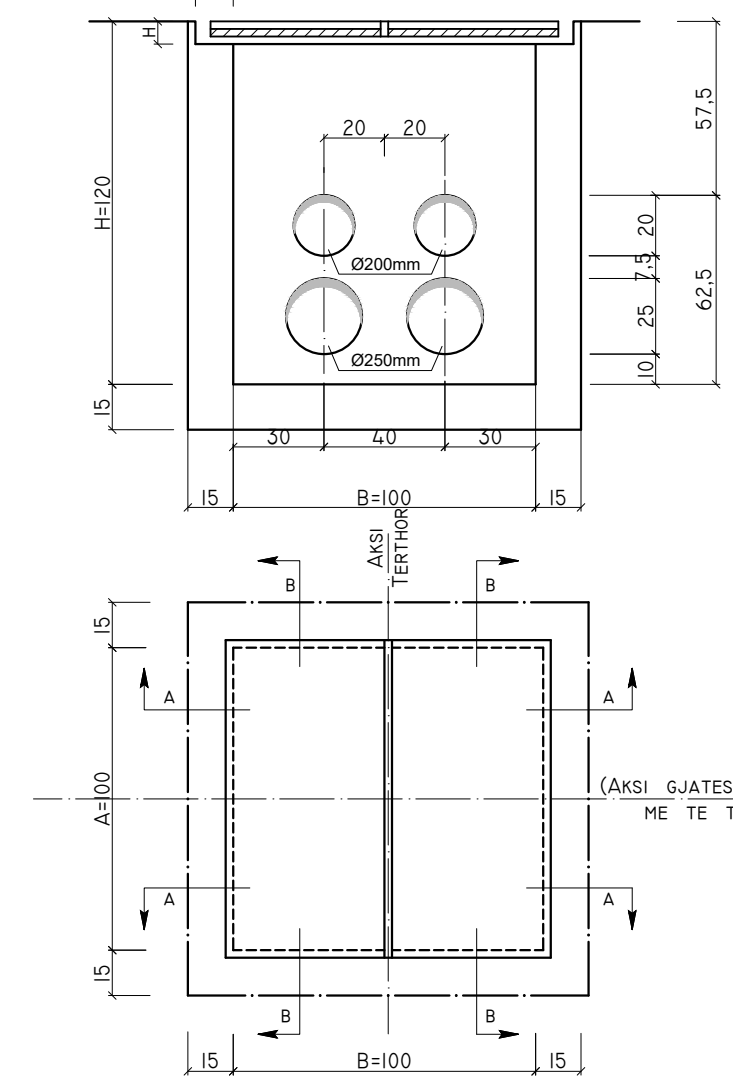
PRERJE MIDIS DY PUSETAVE NE TROTUAR SH.1:20



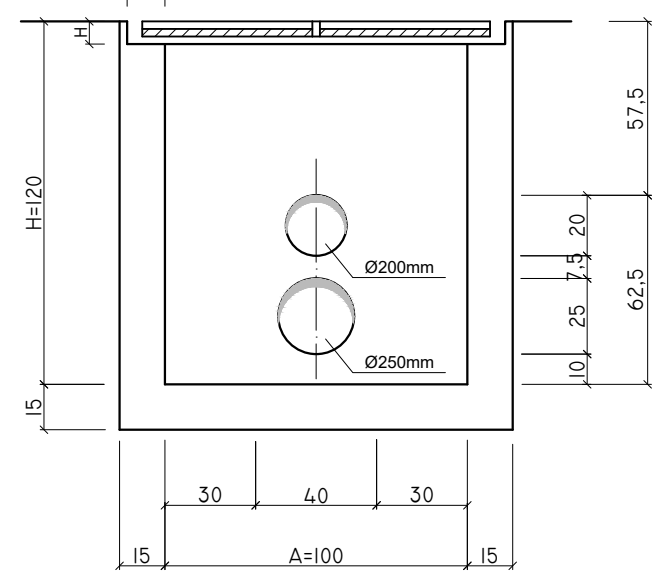
TRANVERSIMI I RRUGES SH.1:20



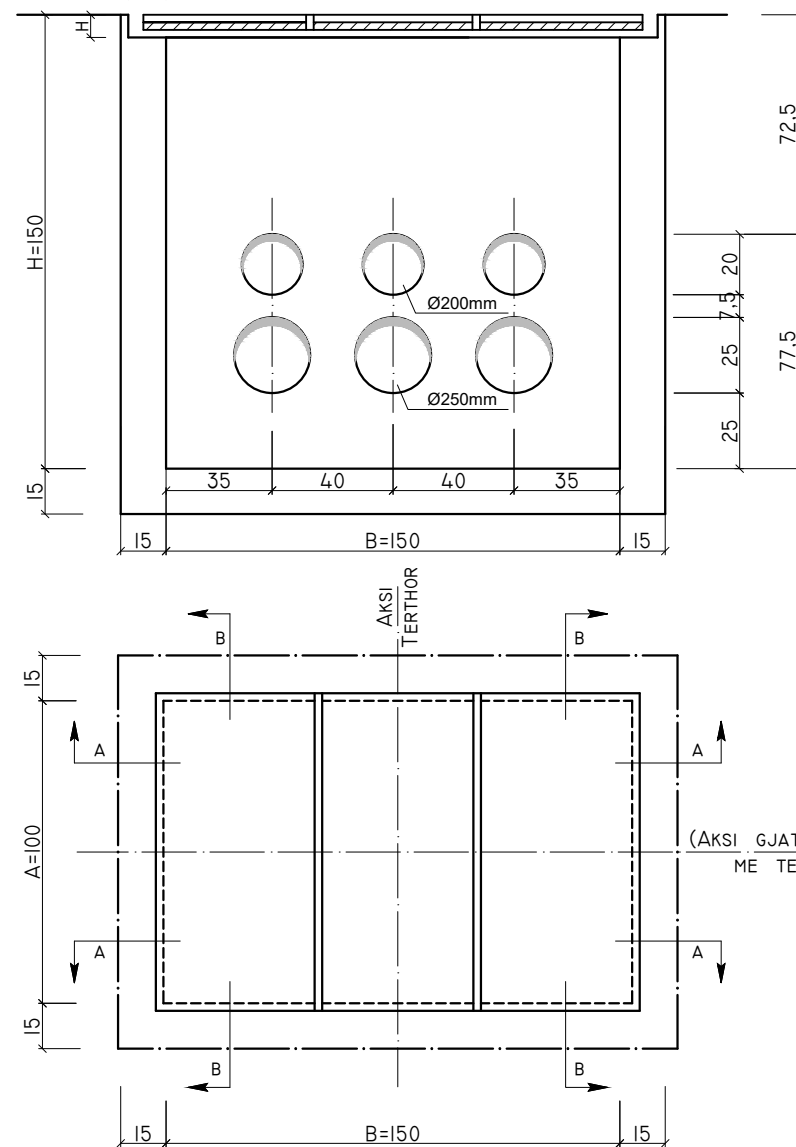
PUSETA "P1" (AxBxH=100x100x120cm) SH.1:25
(VRIMAT NE AKSIN GJATESOR TE PUSITES SIPAS PRERJES B-B)



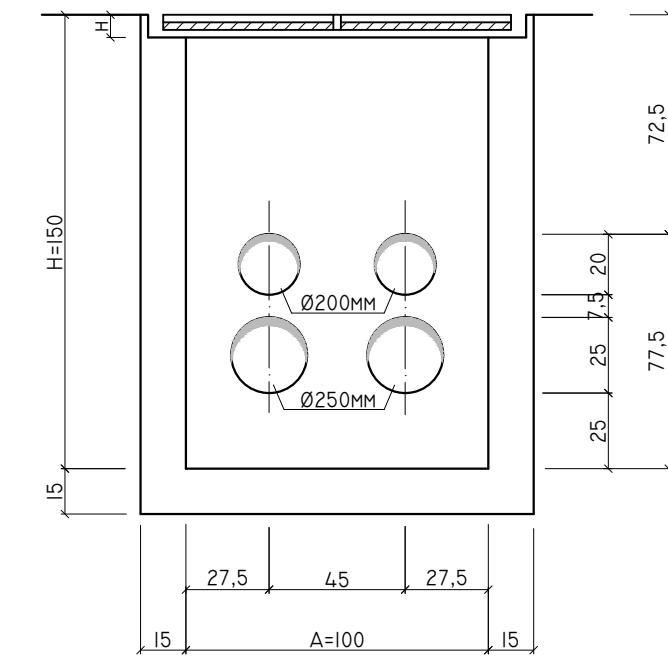
PUSETA "P1" (AxBxH=100x100x120cm) SH.1:25
(VRIMAT NE AKSIN TERTHOR TE PUSITES SIPAS PRERJES A-A)



PUSETA "P2" (AxBxH=100x150x150cm) SH.1:25
(VRIMAT NE AKSIN TERTHOR TE PUSITES SIPAS PRERJES A-A)



PUSETA "P2" (AxBxH=100x150x150cm) SH.1:25
(VRIMAT NE AKSIN GJATESOR TE PUSITES SIPAS PRERJES B-B)



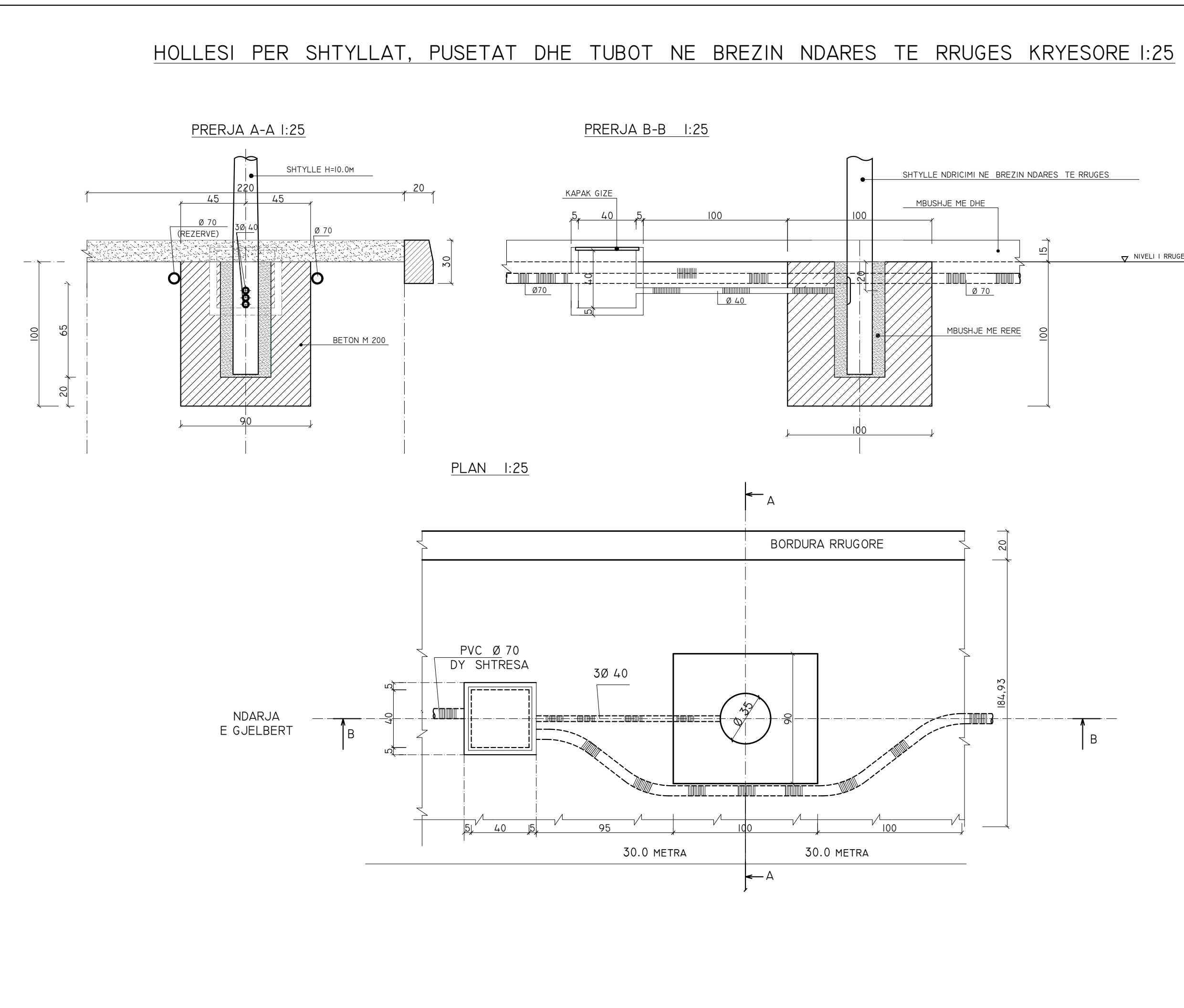
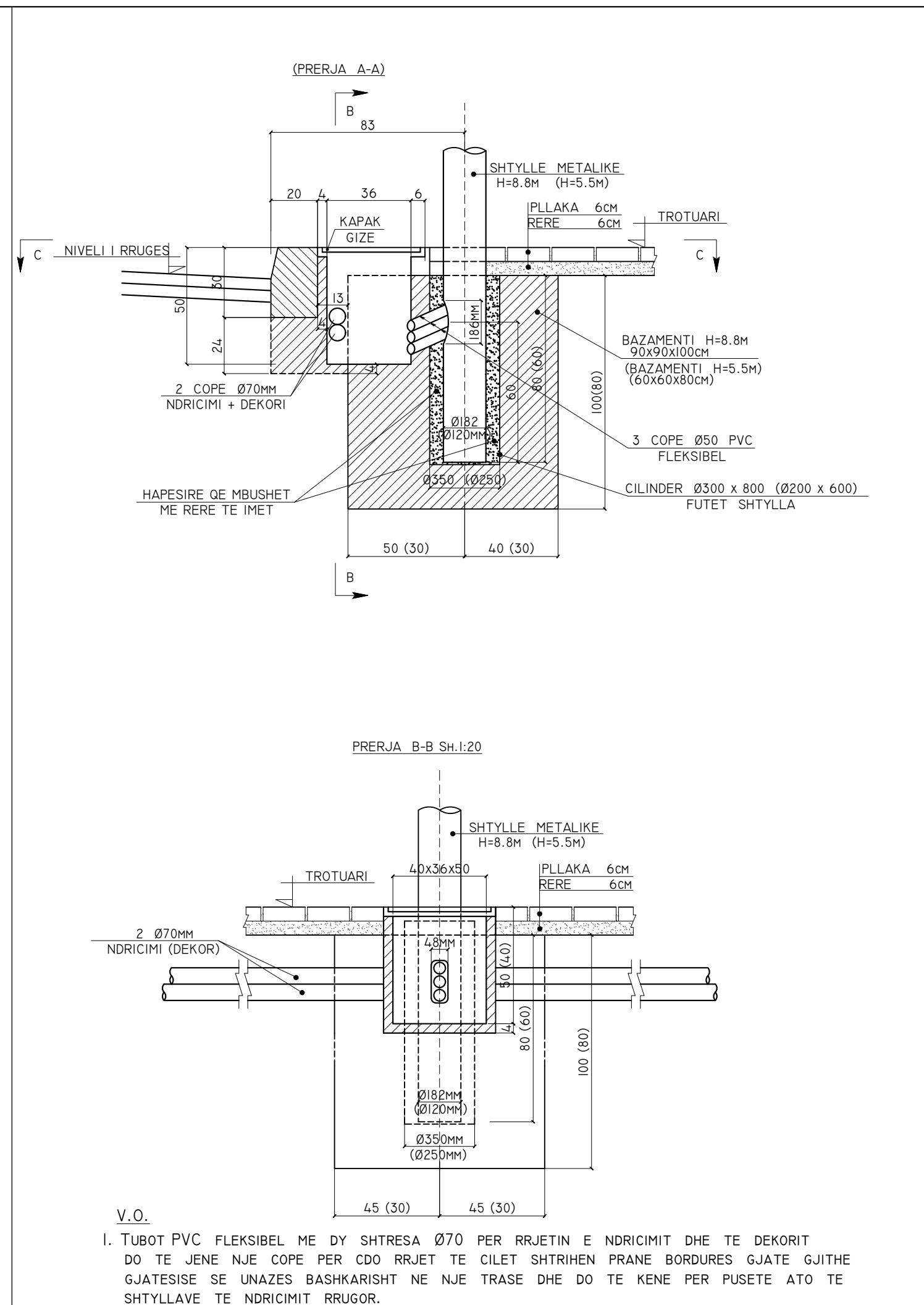
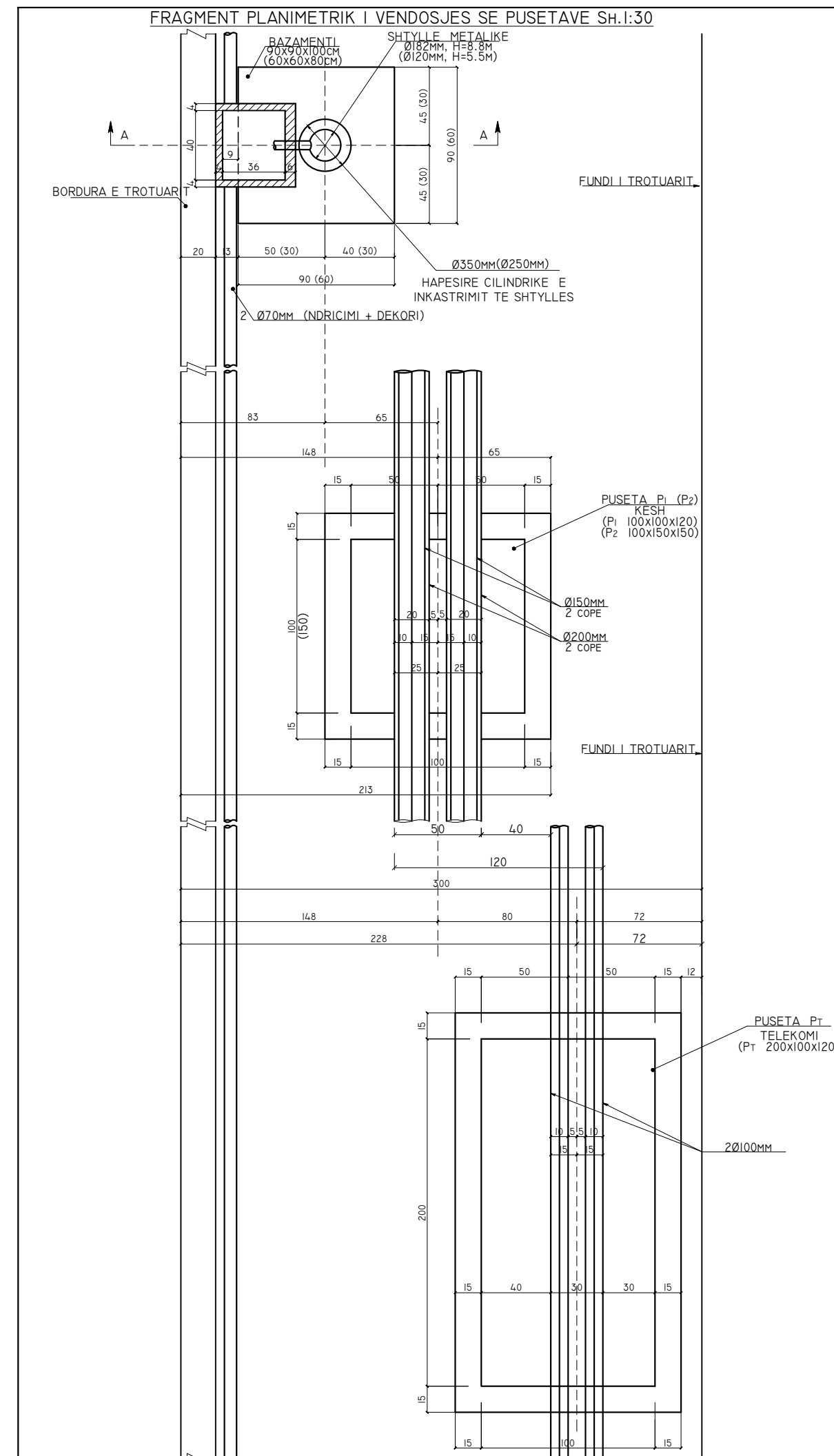
PROJEKTUES (DESIGN TEAM)
d&c partners N.4497/7
 design & consulting engineers
 Local Engineering Office (LOC)
 Studio Lokale Inxhinjerieke (VEND)
 Firma:
 Lexoj dhe aprovoj

TITULLI I VIZATIMIT (DRAWING TITLE)
**DETAJE TEKNIKE
 (TECHNICAL DETAILS)**

KLIENT: BASHKIA VLORE
 Object: **PROJEKT ZBATIMI**
 VAZHDIMI I RRUGES NE PLAZHIN E VJETER, VLORE

DATA (DATE)	PROJEKTUES (DESIGN TEAM)
GUSHT 2024 (AUGUST 2024)	"D&C PARTNERS"
FAZA (PHASE)	SKEDARI DWG (DWG FILE)
PROJEKT-ZBATIMI	PROPOSED DESIGN.DWG

SHKALLA (SCALE)	NR. I VIZATIMIT (DRAWING NO.)
1:20; 1:25	No. - 03



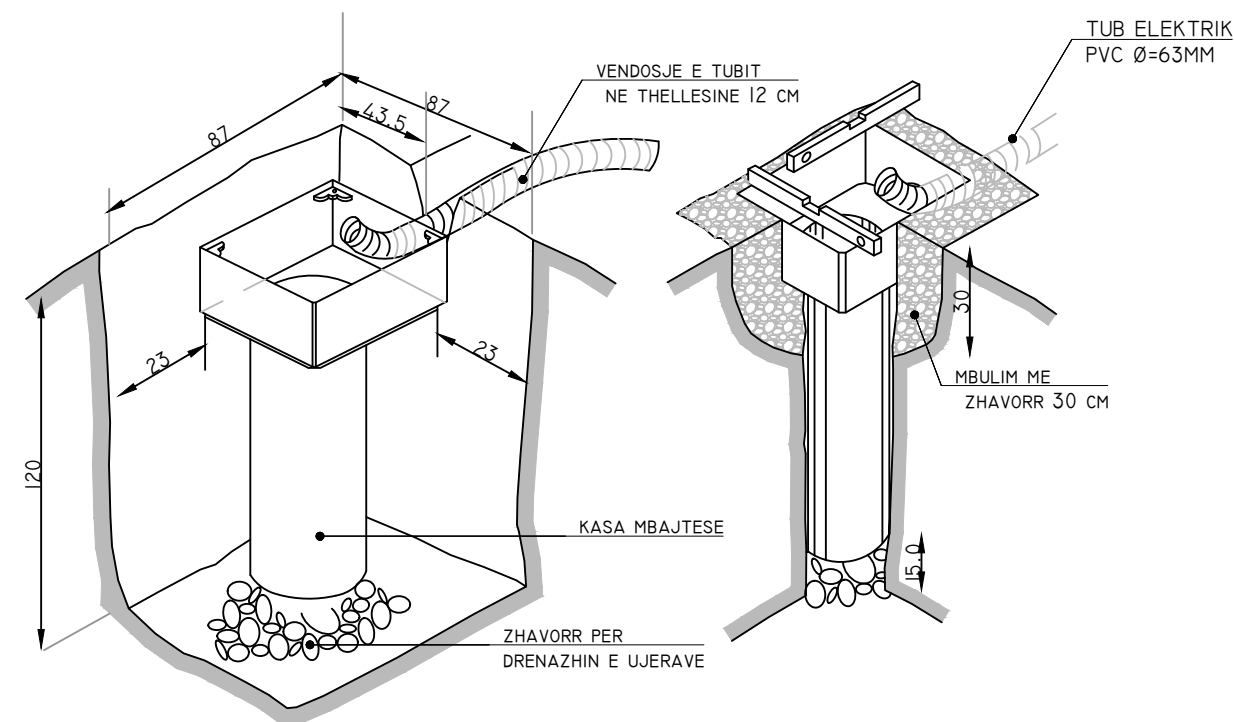
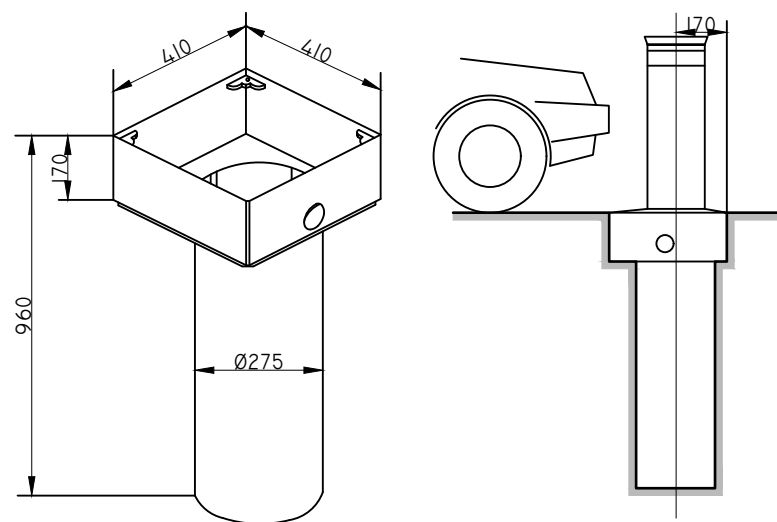
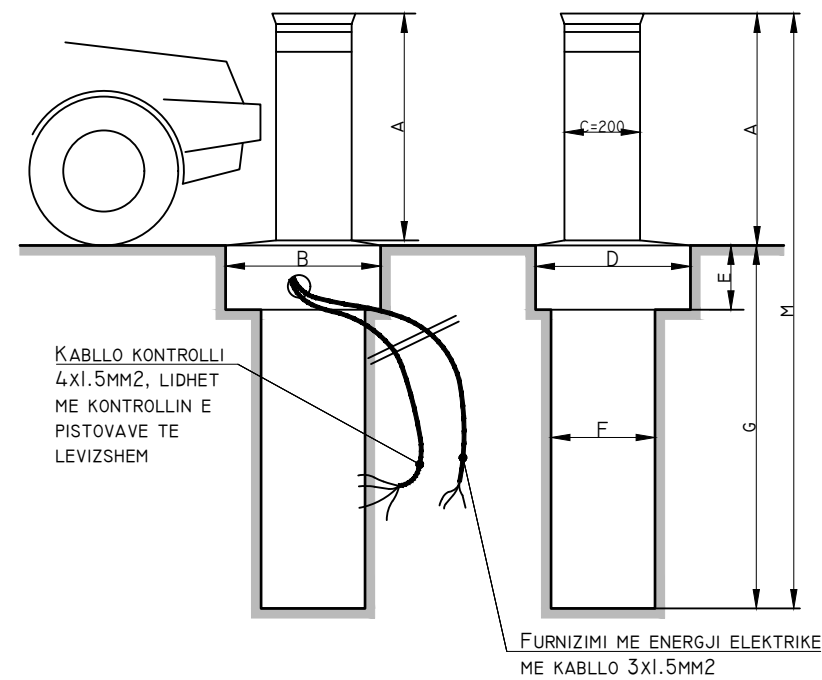
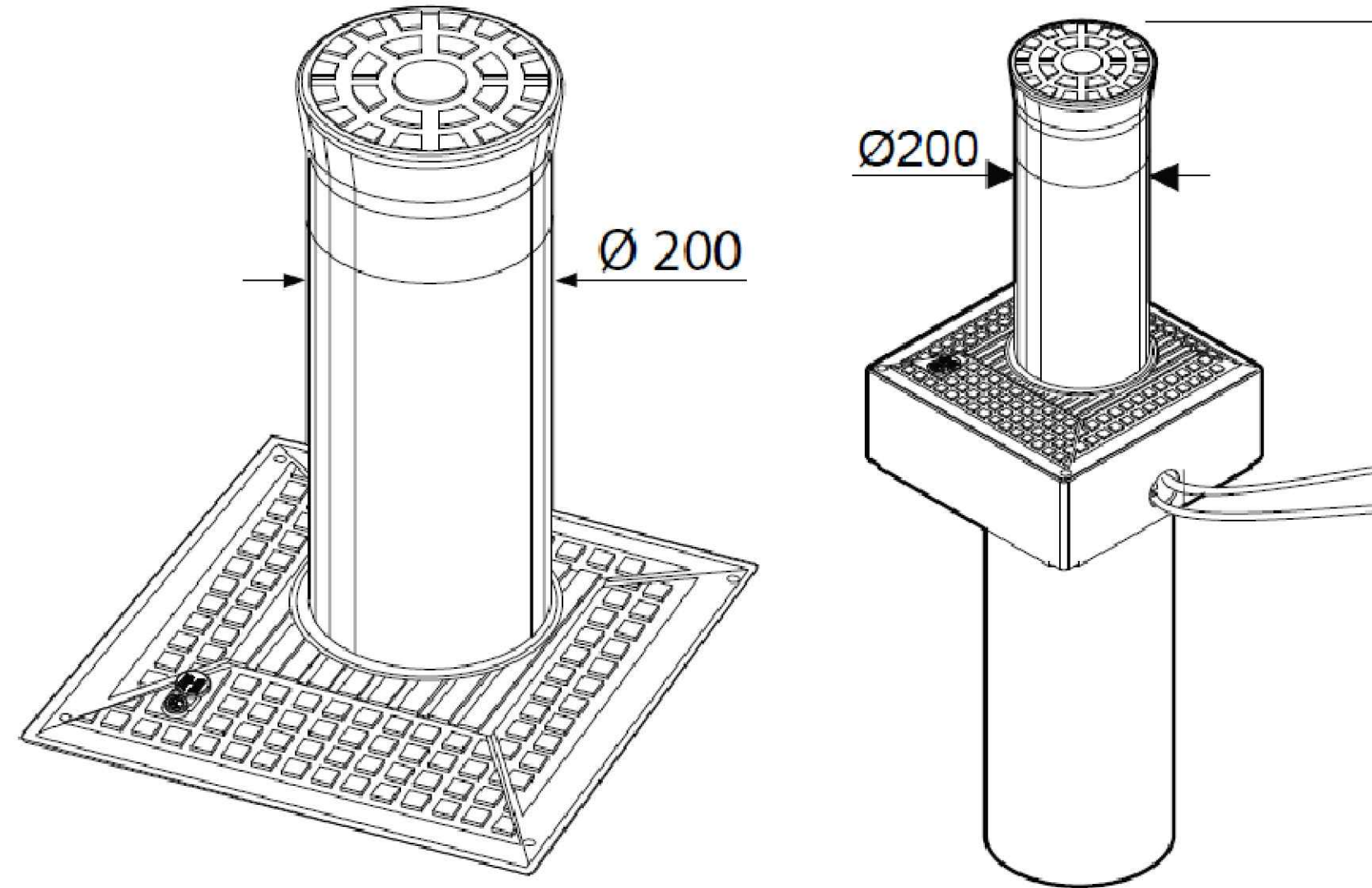
PROJEKTUES (DESIGN TEAM)
 N.4497/7
d&c partners
 design & consulting engineers
 Local Engineering Office (LOC)
 Studio Lokale Inzhinjerike (VEND)
 Firma:
 Lexoj dhe aprovoj

TITULLI I VIZATIMIT (DRAWING TITLE)
DETAJE TEKNIKE
(TECHNICAL DETAILS)

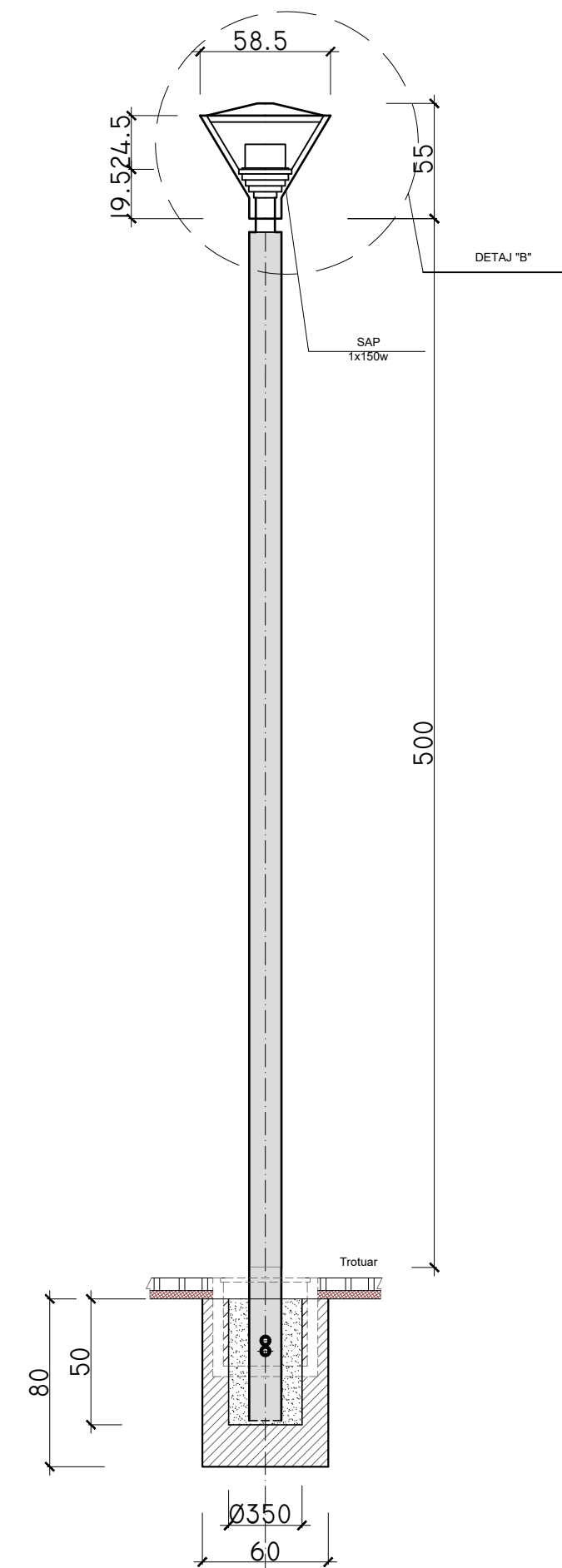
KLIENT: BASHKIA VLORE
 Object: **PROJEKT ZBATIMI**
 VAZHDMI I RRUGES NE PLAZHIN E VJETER, VLORE

DATA (DATE)	PROJEKTUES (DESIGN TEAM)
GUSHT 2024 (AUGUST 2024)	"D&C PARTNERS"
FAZA (PHASE)	SKEDARI DWG (DWG FILE)
PROJEKT-ZBATIMI	PROPOSED DESIGN.DWG

SHKALLA (SCALE)	NR. I VIZATIMIT (DRAWING NO.)
1:20; 1:30	No. - 04



SHTYLLE NDRICIMI NE TROTUAR SH.1:30



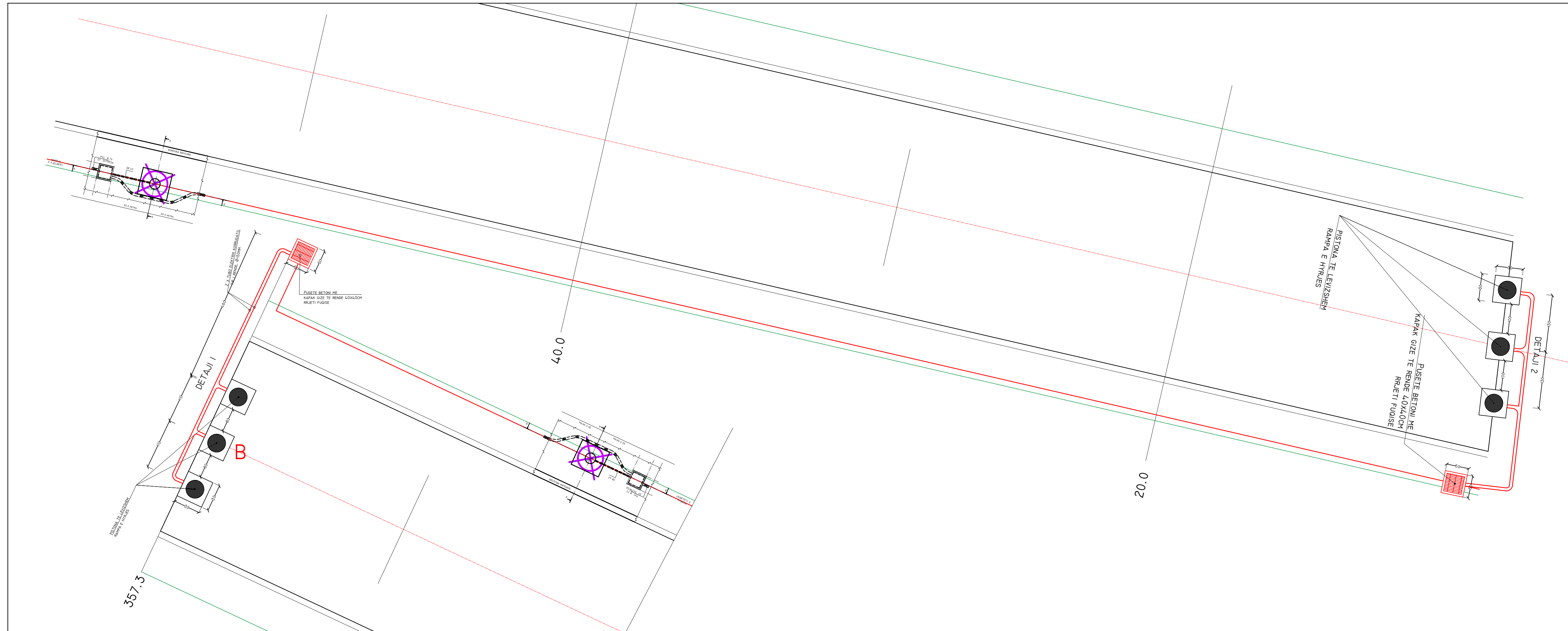
PROJEKTUES (DESIGN TEAM)	
N.4497/7	
d&c partners design & consulting engineers	
Local Engineering Office (LOC)	Firma: Lexoj dhe aprovoj
Studio Lokale Inxhinjerike (VEND)	

TITULLI I VIZATIMIT (DRAWING TITLE)	
DETAJE TEKNIKE (TECHNICAL DETAILS)	

KLIENT: BASHKIA VLORE	
Object	PROJEKT ZBATIMI
VAZHDIMI I RRUGES NE PLAZHIN E VJETER, VLORE	

DATA (DATE)	PROJEKTUES (DESIGN TEAM)
GUSHT 2024 (AUGUST 2024)	"D&C PARTNERS"
FAZA (PHASE)	SKEDARI DWG (DWG FILE)
PROJEKT-ZBATIMI	PROPOSED DESIGN.DWG

SHKALLA (SCALE)	NR. I VIZATIMIT (DRAWING NO.)
1:20; 1:30	No. - 05



PROJEKTUES (DESIGN TEAM)
 N.4497/7
d&c partners
 design & consulting engineers
 Local Engineering Office (LOC)
 Studio Lokale Inxhinjerieke (VEND)
 Firma:
 Lexoj dhe aprovoj

TITULLI I VIZATIMIT (DRAWING TITLE)
DETAJE TEKNIKE
(TECHNICAL DETAILS)

KLIENT: BASHKIA VLORE
 Object: **PROJEKT ZBATIMI**
 VAZHDIMI I RRUGES NE PLAZHIN E VJETER, VLORE

DATA (DATE)	PROJEKTUES (DESIGN TEAM)
GUSHT 2024 (AUGUST 2024)	"D&C PARTNERS"
FAZA (PHASE)	SKEDARI DWG (DWG FILE)
PROJEKT-ZBATIMI	PROPOSED DESIGN.DWG

SHKALLA (SCALE)	NR. I VIZATIMIT (DRAWING NO.)
1:75	No. - 06



PROJEKTUES (DESIGN TEAM)	
N.4497/7	
d&c partners <i>design & consulting engineers</i>	
Local Engineering Office (LOC)	Firma: Lexoj dhe aprovoj
Studio Lokale Inxhinjerie (VEND)	

TITULLI I VIZATIMIT (DRAWING TITLE)	
PLANIMETRIA E SINJALISTIKES (TRAFFIC SIGNS PLAN)	

KLIENT: BASHKIA VLORE	
Object	PROJEKT ZBATIMI
VAZHDIMI I RRUGES NE PLAZHIN E VJETER, VLORE	

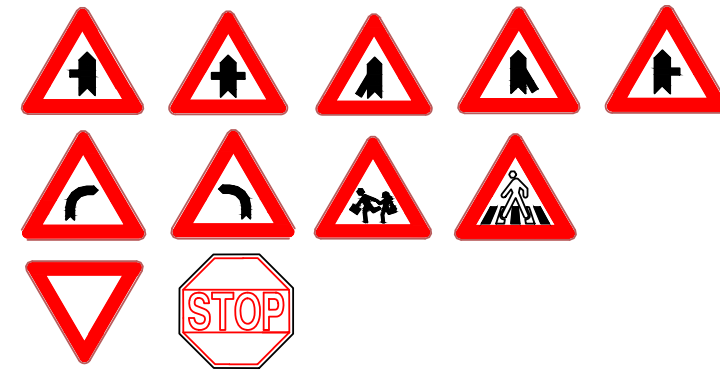
DATA (DATE)	PROJEKTUES (DESIGN TEAM)
GUSHT 2024 (AUGUST 2024)	"D&C PARTNERS"
FAZA (PHASE)	SKEDARI DWG (DWG FILE)
PROJEKT-ZBATIMI	PROPOSED DESIGN.DWG

SHKALLA (SCALE)	NR. I VIZATIMIT (DRAWING NO.)
1:750	No. - 01

SHENJA LAJMERUESE WARNING SIGN

LAJMERIM PER NDERPRERJE NGA RRUGE DYTESORE, KTHESAT E KURBEZUARA, FEMIJET, KEMBESORET DHE PER NDALJE/DHENIE RRUGE
 WARNING SIGN INTERSECTION OF SECONDARY ROAD, WARNING SIGN CURVE, WARNING SIGN PEDESTRAIN & CHILDREN'S, STOP & GIVE WAY SIGN

TREKENDSHI: E KUQE REFLEKTUESE
 SFONDI: I ZI
 SIMBOLI: E BARDHE REFLEKTUESE

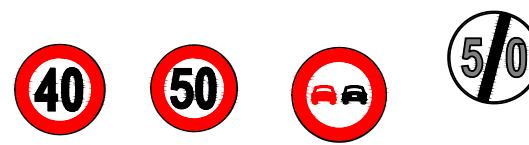


TRIANGLE: RED REFLECTIVE
 BACKGROUND: WHITE REFLECTIVE
 SYMBOL: BLACK

SHENJA NDALUESE PROHIBIT SIGN

SHENJAT PER KUFIRIN E SHPEJTISE DHE NDALIM PARAKALIMIN
 SPEED LIMIT SIGN & OVERTAKE PROHIBIT

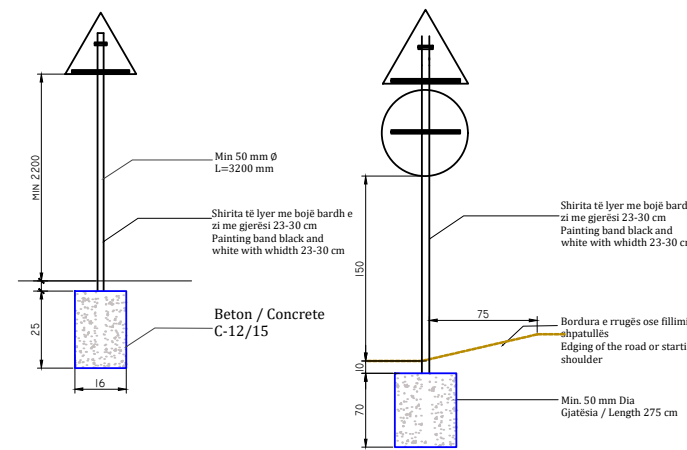
RRETHI: E KUQE REFLEKTUESE
 SHENJA: E ZEZE REFLEKTUESE
 CIRCLE: RED REFLECTIVE
 SIGN: BLACK REFLECTIVE



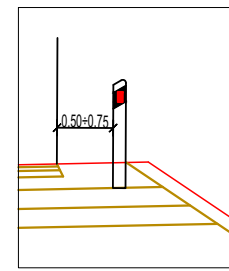
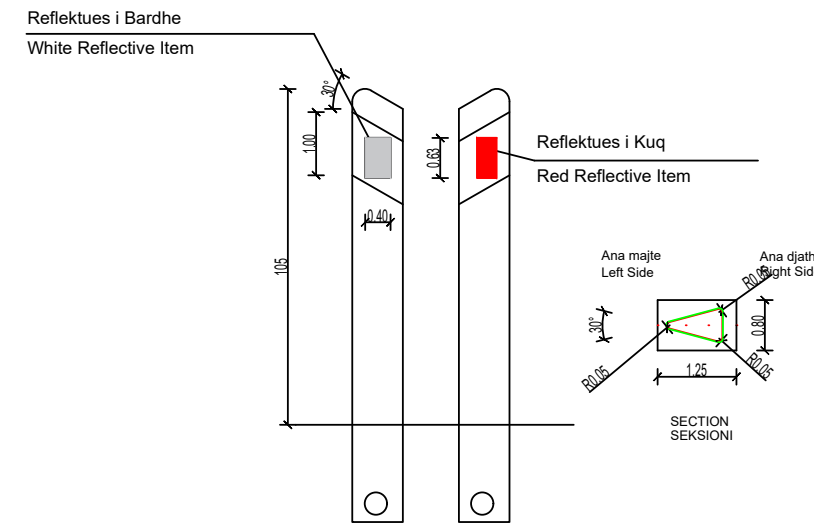
SHENIM:

SHENJAT RRUGORE PER NGA FORMA, MADHESIA, NGJYRA REFLEKTIVITETI DUHET TE JENE SIPAS KODIT RRUGOR TE REPUBLIKES SE SHQIPERISE
 MATERIALI PRAPAREFLEKTIV DUHET TE KETE JETEGJATESI I OUVJET PER CLASIN 2 DHE 7 VJET PER CLASIN 1
 SIMBOLI BRENDA SHENJES RRUGORE DUHET TE JETE I REALIZUAR ME BOJE TE TRAJTUAR ME PJEKJE E CILA NUK HUMBET TREGUESIT PRAPAREFLEKTIV
 SHENJA RRUGORE REALIZOHET ME LLAMARINE ÇELIKU E CILA LYHET ME BOJE OPAKE KUNDRANDRA KOROZIONITDHE TRAJTOHET ME PJEKJE.

Placement of combine tables in the street / Placement of combine tables in the street
 Sc 1:50/Sh 1:50



Shënim / Note:
 Shylla e çelikut duhet të jetë e galvanizuar sipas kërkesave të AASHTO M 111. / Steel bar should be galvanized.



Distanca e delineatoreve anesor
 Side delineation Distance

RREZJA E KTHESES CURVE RADIUS	DISTANCE DISTANCE
unt/deri 30 m	6 m
30 - 50 m	8 m
50 - 100 m	12 m
100 - 200 m	20 m
200 - 400 m	30 m
> 400 m	50 m

SHENJA DETYRUESE OBLIGATORY SIGN

ANET & SHIGJETAT: E BARDHE REFLEKTUESE
 SFONDI: BLU REFLEKTUESE KL 2

EDGE & ARROW: WHITE REFLECTIVE
 BACKGROUND: BLUE REFLECTIVE CL 2



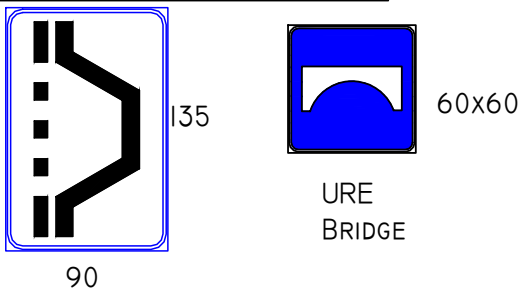
SHENJA PLOTESUESE COMPLEMENTARY SIGN

SHENJA E KTHESES NE NJE DREJTIM & DY DREJTIME CHEVRON SIGNS ONE DIRECTION & TWO DIRECTION

SHENJA : E BARDHE REFLEKTUESE
 SFONDI: E ZEZE
 SIGN : WHITE REFLECTIVE
 BACKGROUND: BLACK

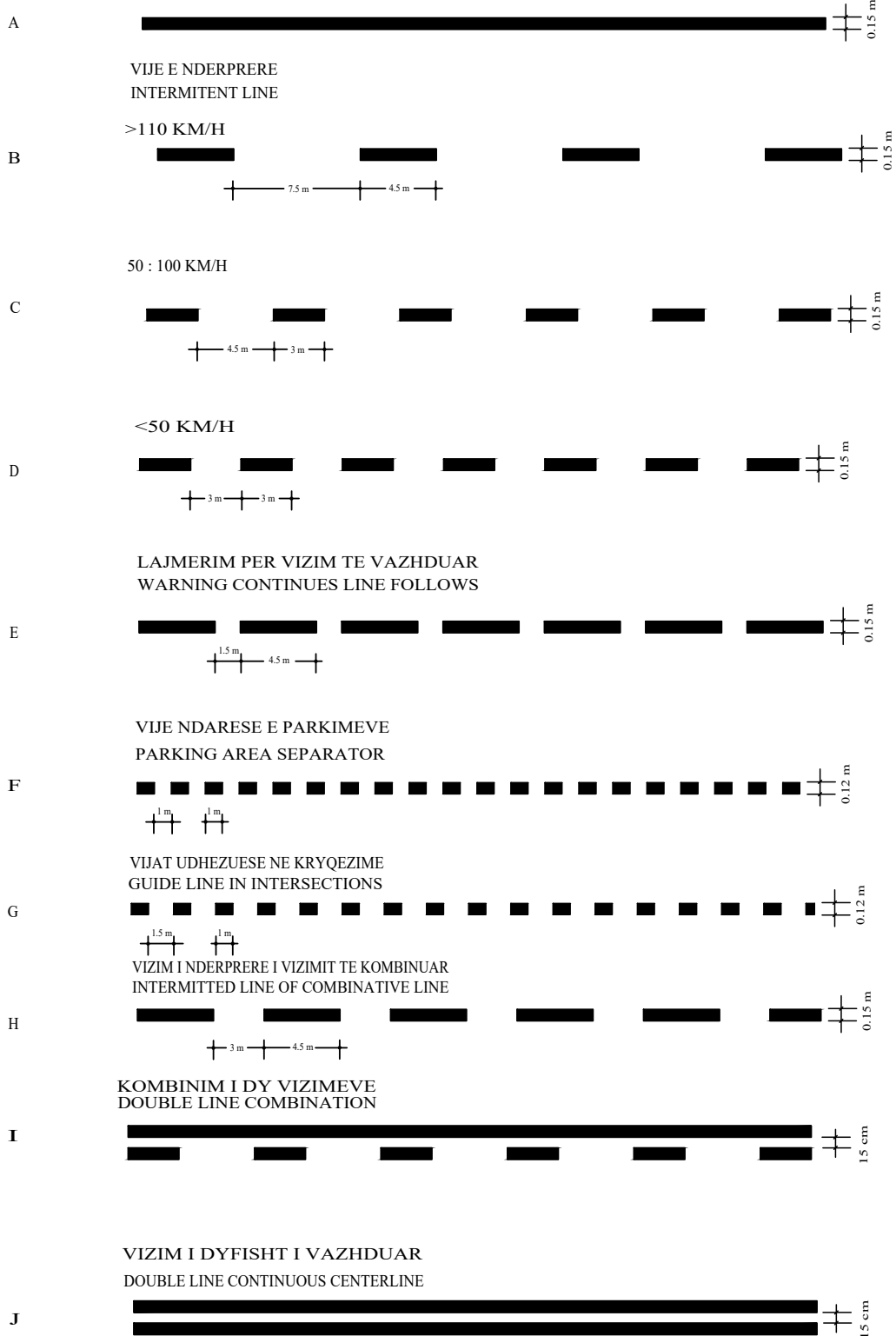


SHENJA INFORMUESE INFORMATION SIGN

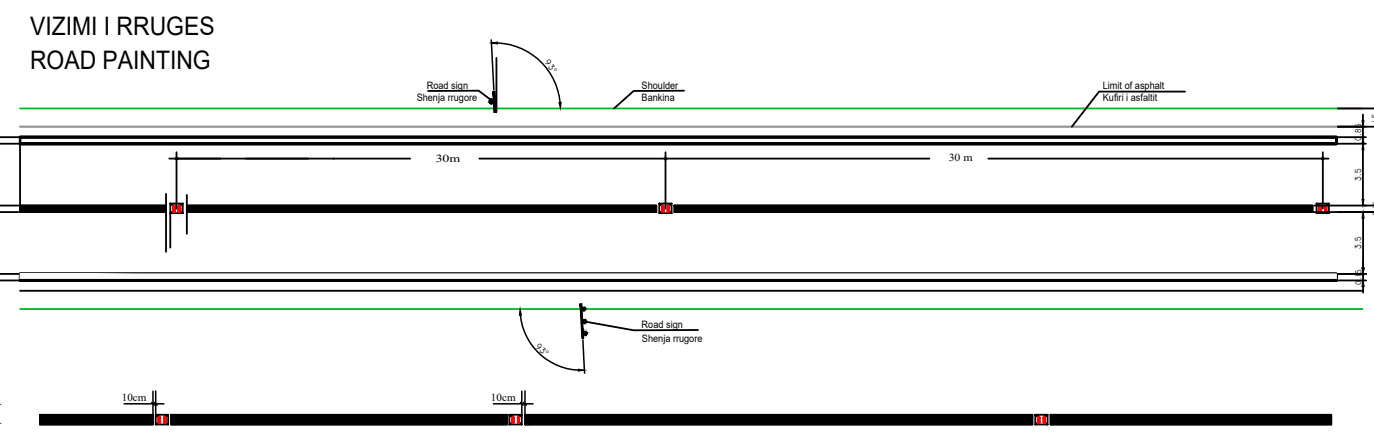
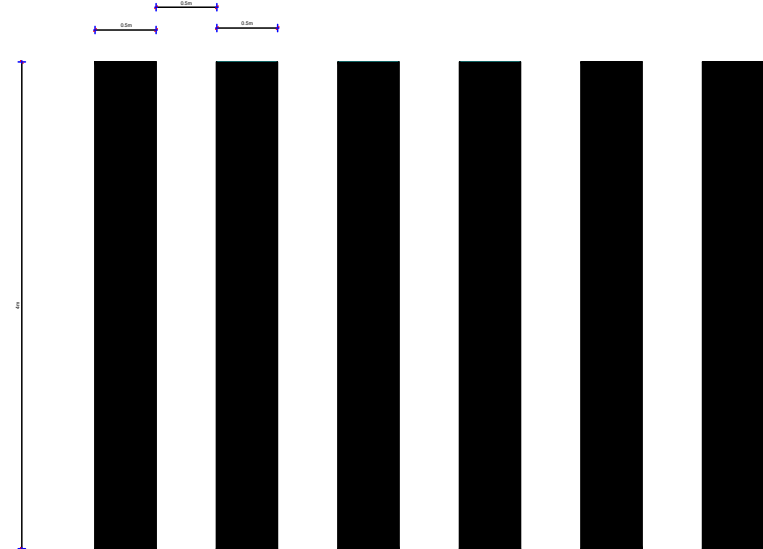


TIPET E VIZIMEVE TE RRUGES ROAD MARKING LINES TYPE

VIJAT KUFIZUESE TE KORSISE
 CONTINUES CENTER LINE AND EDGE LINE



KALIMET E KEMBESOREVE PEDESTRIANS CROSSING



Vizim Tipi A
 Line Type A

PROJEKTUES (DESIGN TEAM)
 N.4497/7
d&c partners
 design & consulting engineers
 Local Engineering Office (LOC)
 Studio Lokale Inzhinjerike (VEND)
 Firma:
 Lexoj dhe aprovoj

TITULLI I VIZATIMIT (DRAWING TITLE)
**SINJALISTIKA, DETAJE TEKNIKE
 (TRAFIC SIGNS DETAILS)**

KLIENT: BASHKIA VLORE
 Object: **PROJEKT ZBATIMI**
 VAZHDMI I RRUGES NE PLAZHIN E VJETER, VLORE

DATA (DATE)	PROJEKTUES (DESIGN TEAM)
GUSHT 2024 (AUGUST 2024)	"D&C PARTNERS"
FAZA (PHASE)	SKEDARI DWG (DWG FILE)
PROJEKT-ZBATIMI	PROPOSED DESIGN.DWG

SHKALLA (SCALE)	NR. I VIZATIMIT (DRAWING NO.)
	No. - 02