

REPUBLIKA E SHQIPERISE

SKEMAT ELEKTRIKE

OBJEKTI: "REHABILITIMI I GALERISE SE CIMENTIMIT NE
KUOTEN 296 MMND NE SHPATULLEN E MAJTE TE DIGES
FIERZE"

PROJEKT ZBATIMI

STUDIO "A&E ENGINEERING"

Entela
cano

Digitally signed by Entela cano
Date: 2022.06.17 10:26:07 +02'00'

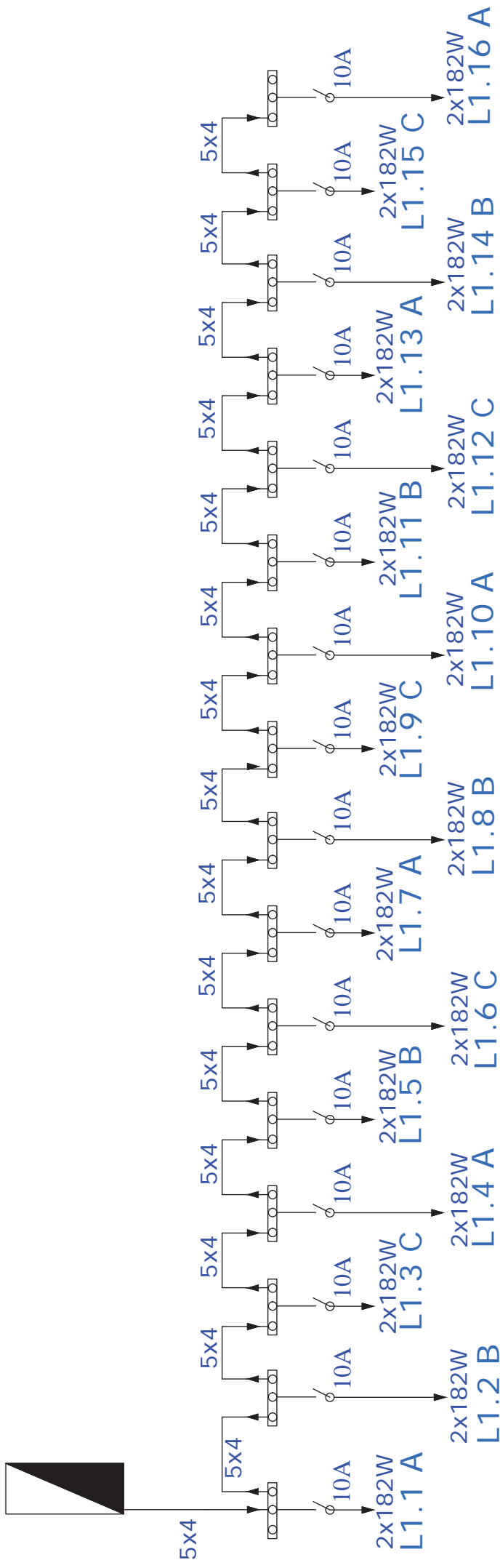
" A & E ENGINEERING "
sh.p.k

Adresa: Rr. "ISLAM ALLA"
Mob : ++355 (0)69 2079981
Mob : ++355 (0)69 2079982

TIRANE 2022

SKEMA ELEKTRIKE E LIDHJES SË NDRIÇUESVE KABINA "Rruga Lidhese"

KABINA Rruga Lidhese



<p style="font-size: 8px; margin-top: 5px;">KORPORATA ELEKTROENERGJITIKE SHQIPTARE NJESIA PRODHUESHE HEC FIERZE</p>	<p style="font-weight: bold; margin: 0;">GRUPI I PROJEKTIMIT</p> <p style="font-size: 8px; margin: 0;">Ing. ENTELA CANO Ing. MEFAIL HALILAJ</p>	<p style="font-weight: bold; margin: 0;">" A & E ENGINEERING "</p> <p style="font-size: 8px; margin: 0;">Sh.p.k Adresa: Rr. "ISLAM ALLA" Mob : ++355 (0)69 2079981 Mob : ++355 (0)69 2079982</p>	<p style="font-size: 8px; margin: 0;">REHABILITIMI I GALERISE SE CEMENTIMIT NE KUOTEN 296 MMIND SHKALLA NE SHIPATULLEN E MAJTE TE DIGJES FIERZE</p>
	<p style="font-weight: bold; margin: 0;">PROJEKT ZBATIM</p> <p style="font-size: 12px; margin: 0;">2022</p>	<p style="font-size: 8px; margin: 0;">Ing. NAZMI DASHI Ark. PAQSOR KAIMAKU</p>	<p style="font-size: 8px; margin: 0;">SKEMA ELEKTRIKE E LIDHJES SE NDRIÇUESVE KABINA "Rruga Lidhese"</p>