

REPUBLIKA E SHQIPERISE

SEKSIONET TIP

OBJEKTI: ""REHABILITIMI I GALERISE SE CIMENTIMIT NE
KUOTEN 296 MMND NE SHPATULLEN E MAJTE TE DIGES
FIERZE""

PROJEKT ZBATIMI

STUDIO "A&E ENGINEERING"



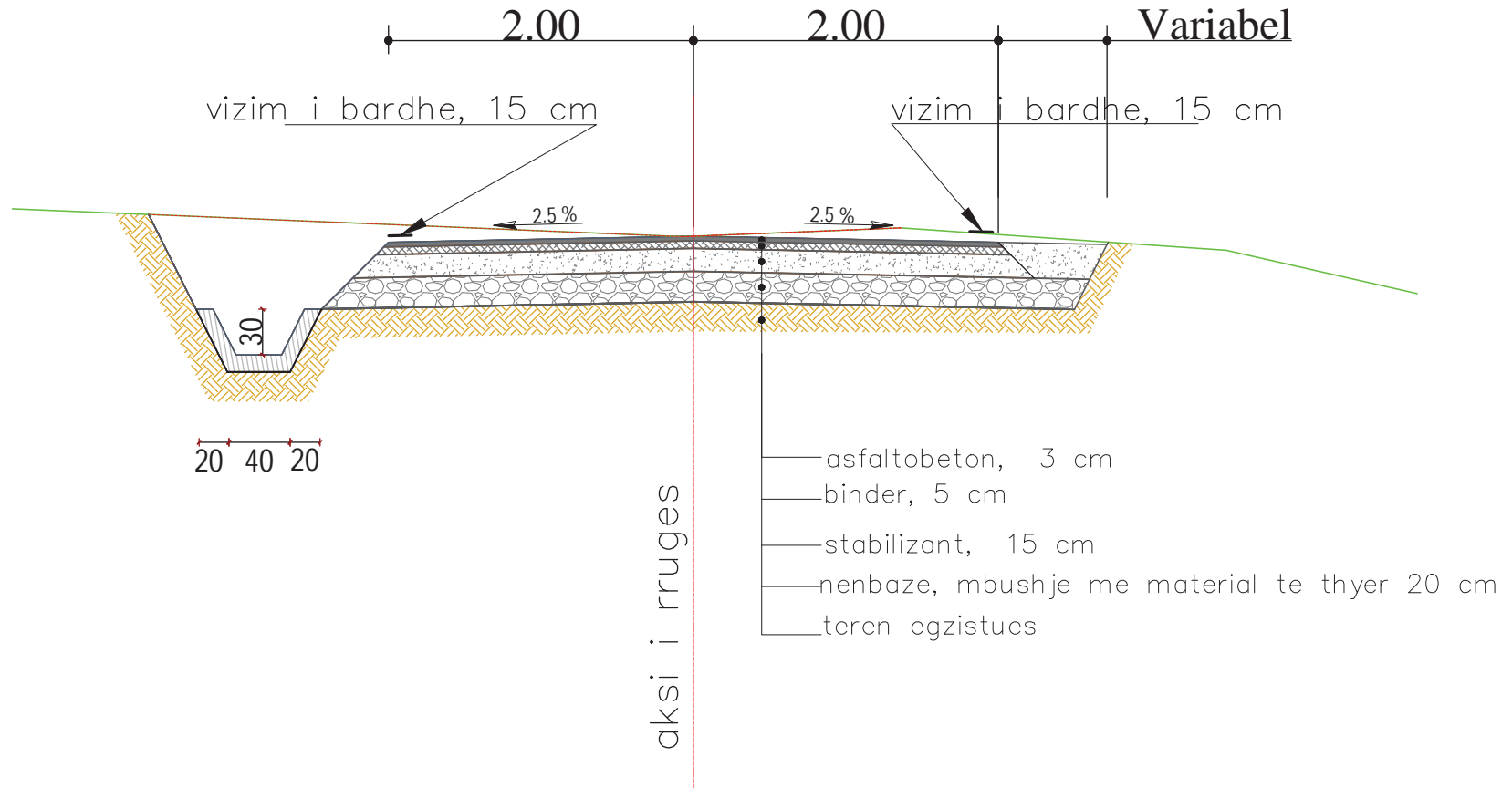
Digitally signed by Entela cano
Date: 2022.05.17 10:17:31 +02'00'

" A & E ENGINEERING "
sh.p.k

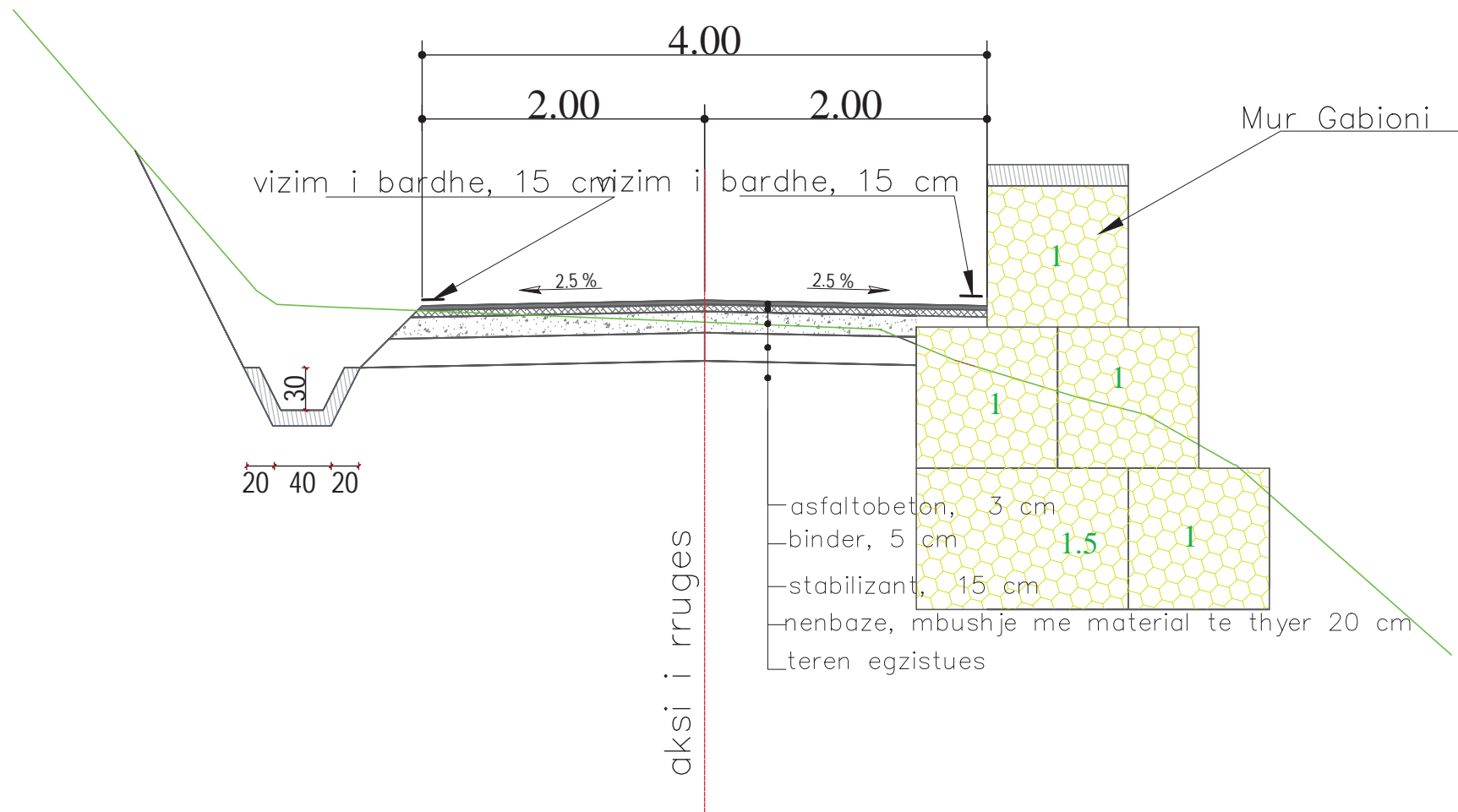
Adresa: Rr. "ISLAM ALLA"
Mob : ++355 (0)69 2079981
Mob : ++355 (0)69 2079982

TIRANE 2022

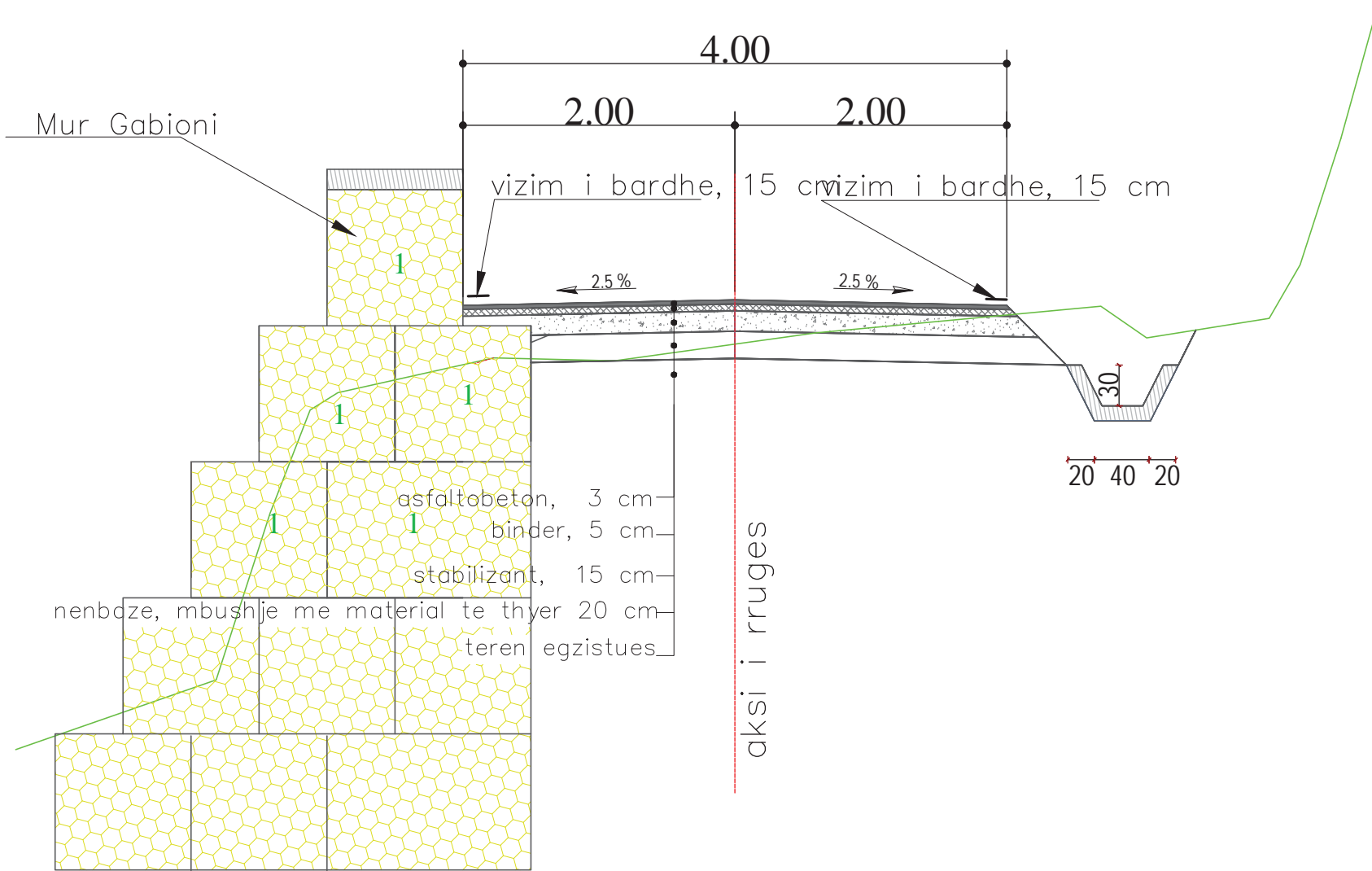
PROFIL TERTHOR "TIPI 1"



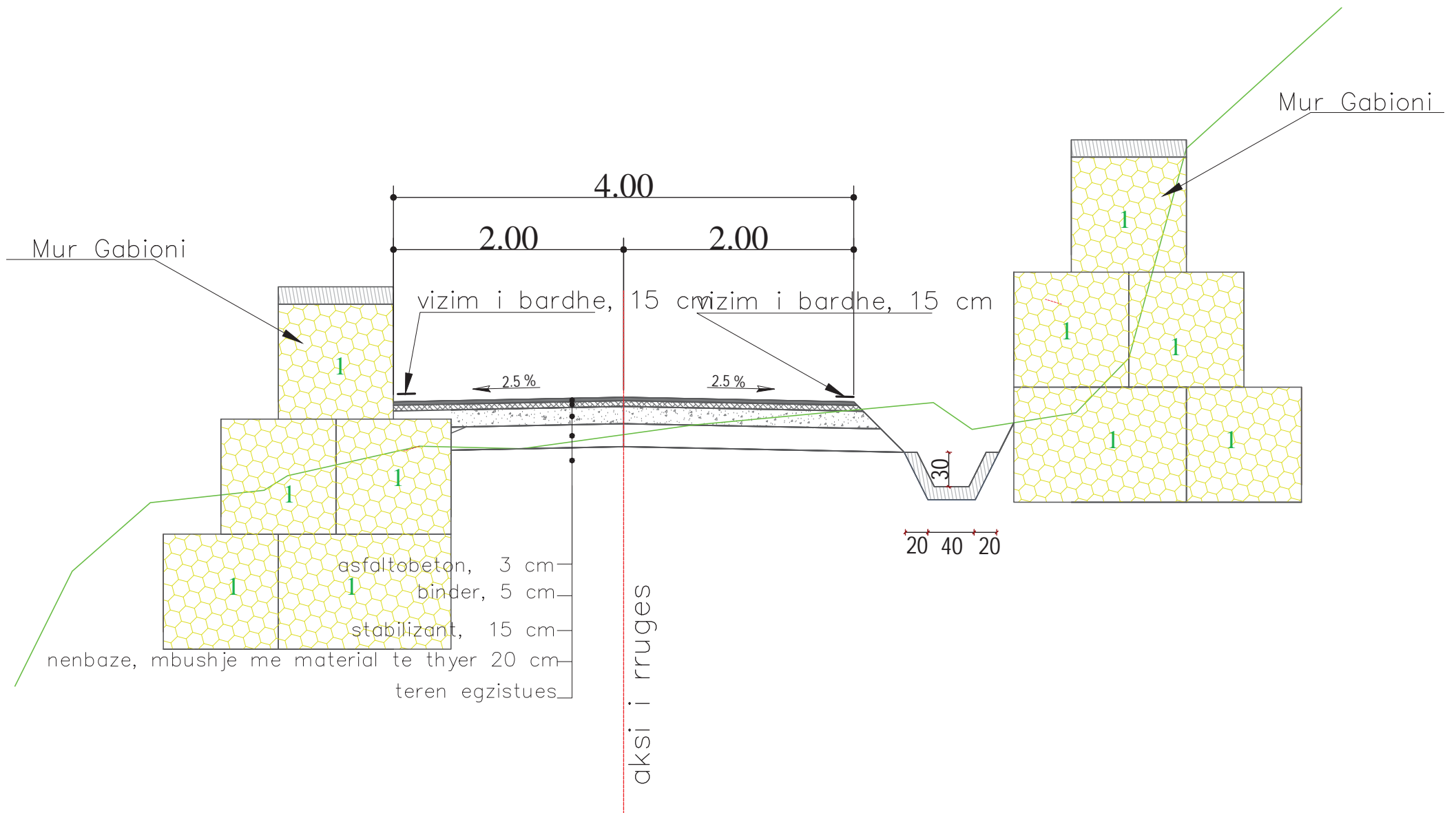
PROFIL TERTHOR "TIPI 2"



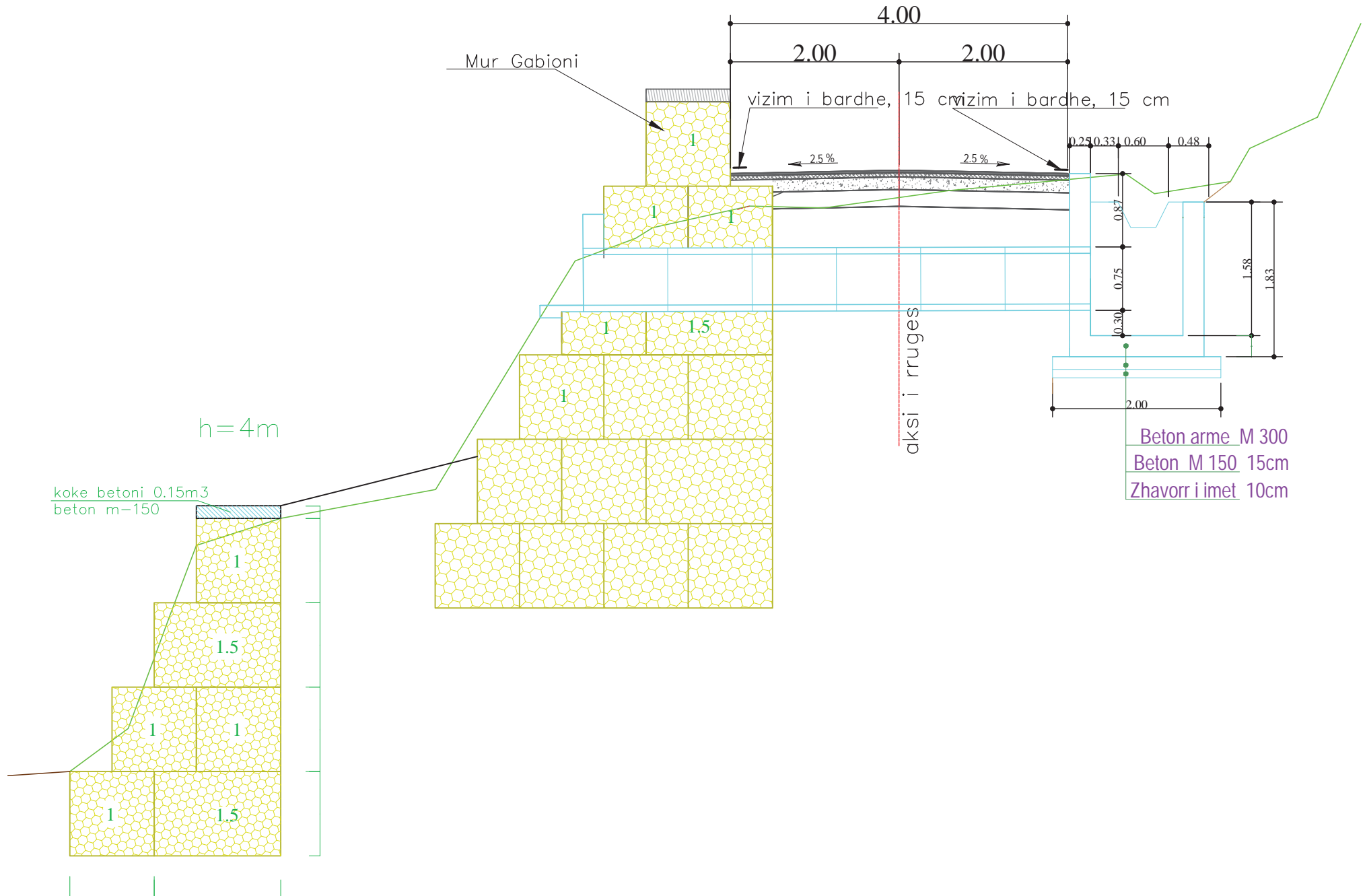
PROFIL TERTHOR "TIPI 3"



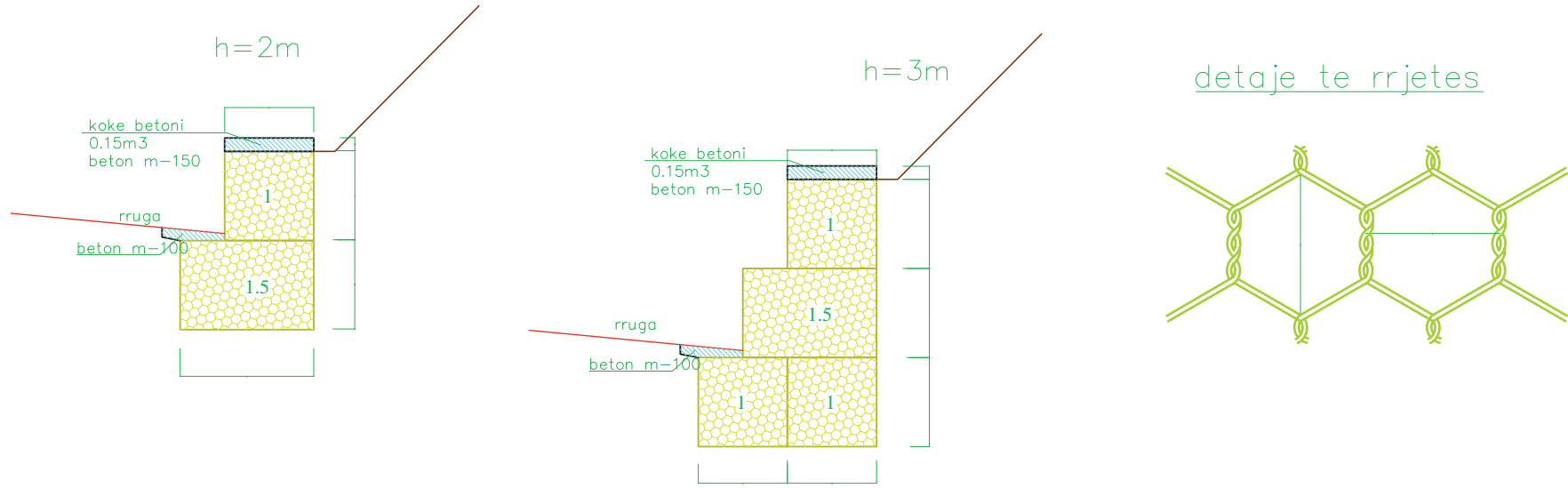
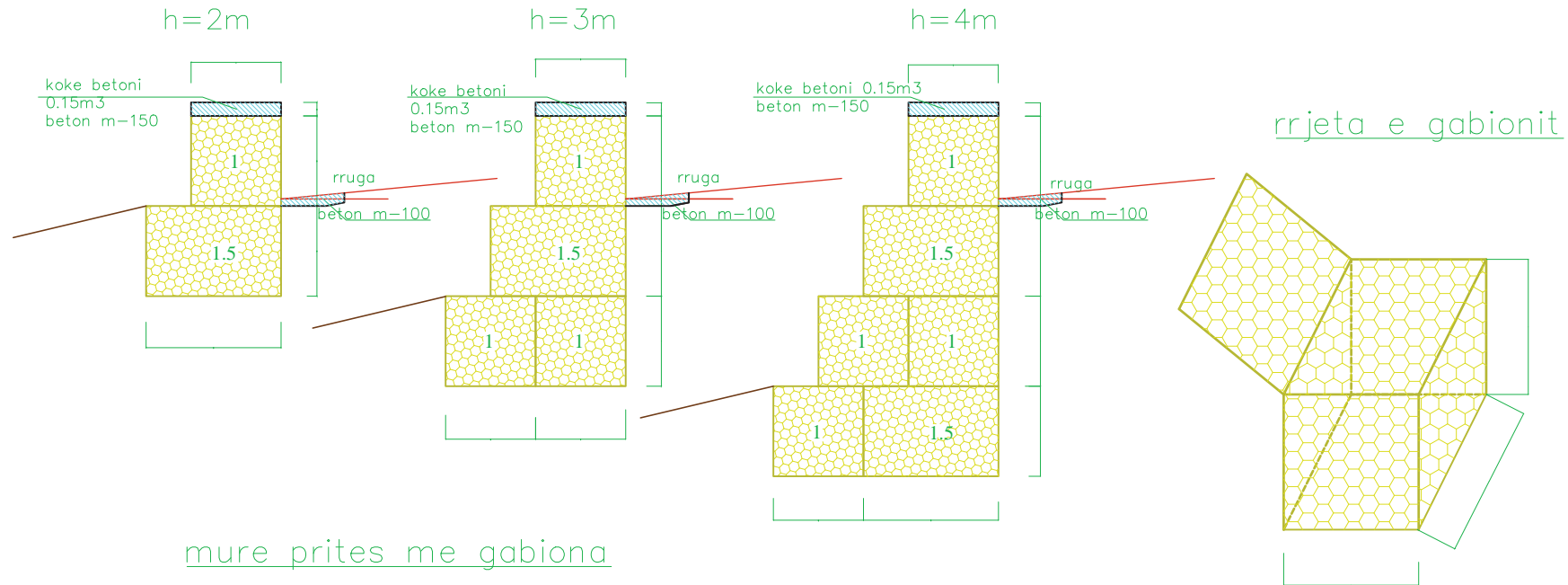
PROFIL TERTHOR "TIPI 4"



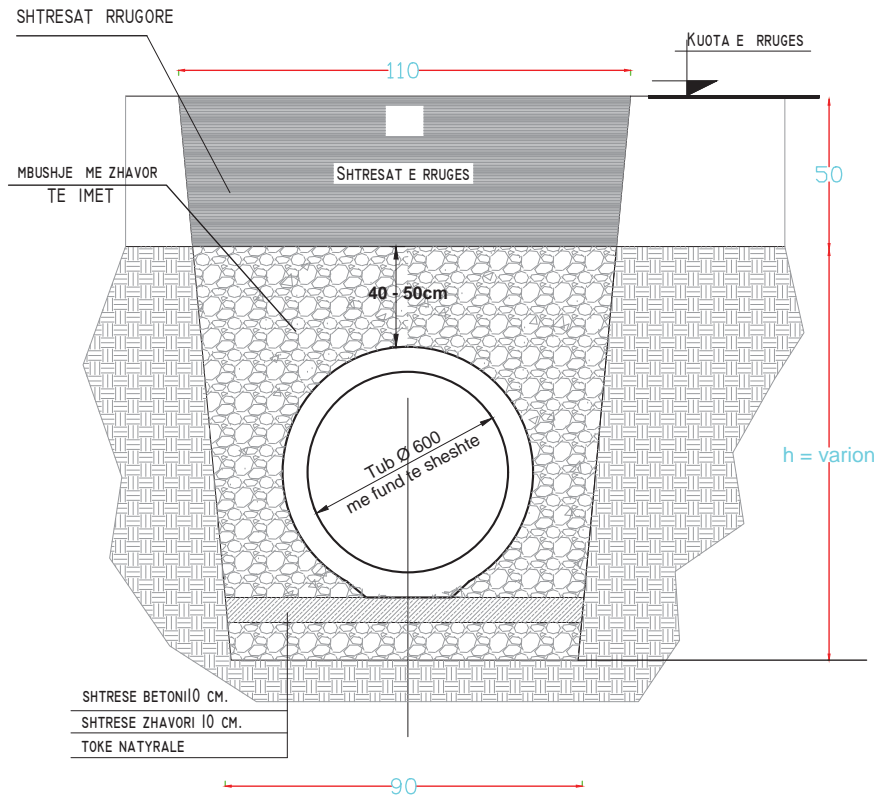
PROFIL TERTHOR "TIPI 5"



DETAJ TEKNIK MURE MBAJTES ME GABIONA



PRERJA TERTHORE TIP NR. 1
TOMBINO DB = 600 M/M



PRERJA TERTHORE TIP NR. 2
TOMBINO PER PJESET JASHTJE ASFALTIT DB = 600 M/M

