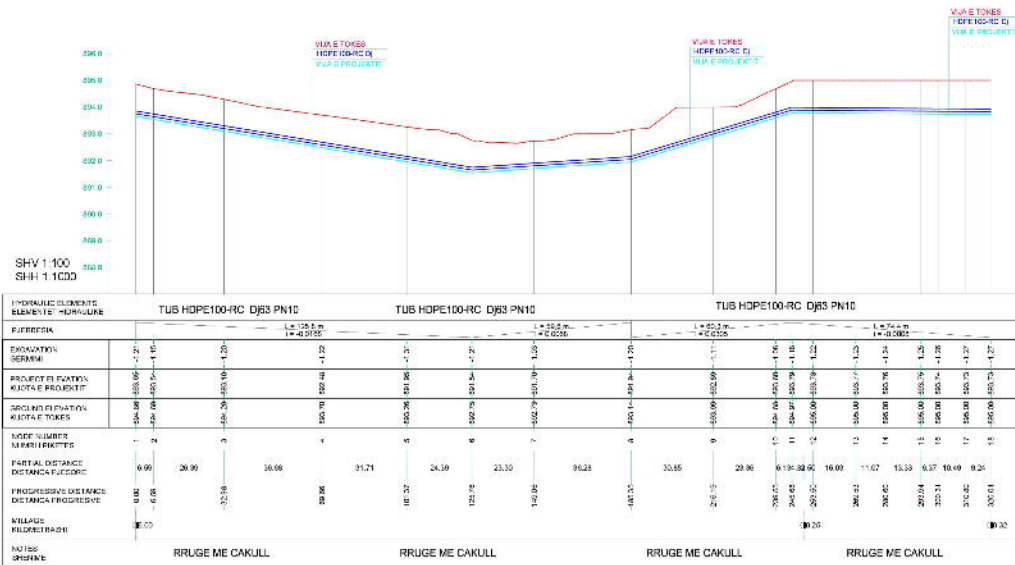
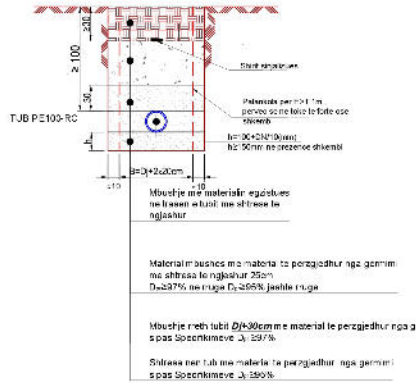
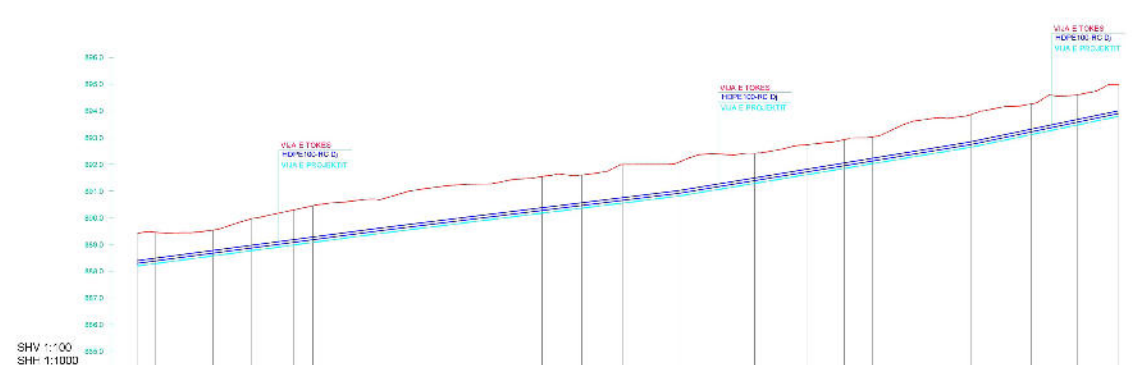
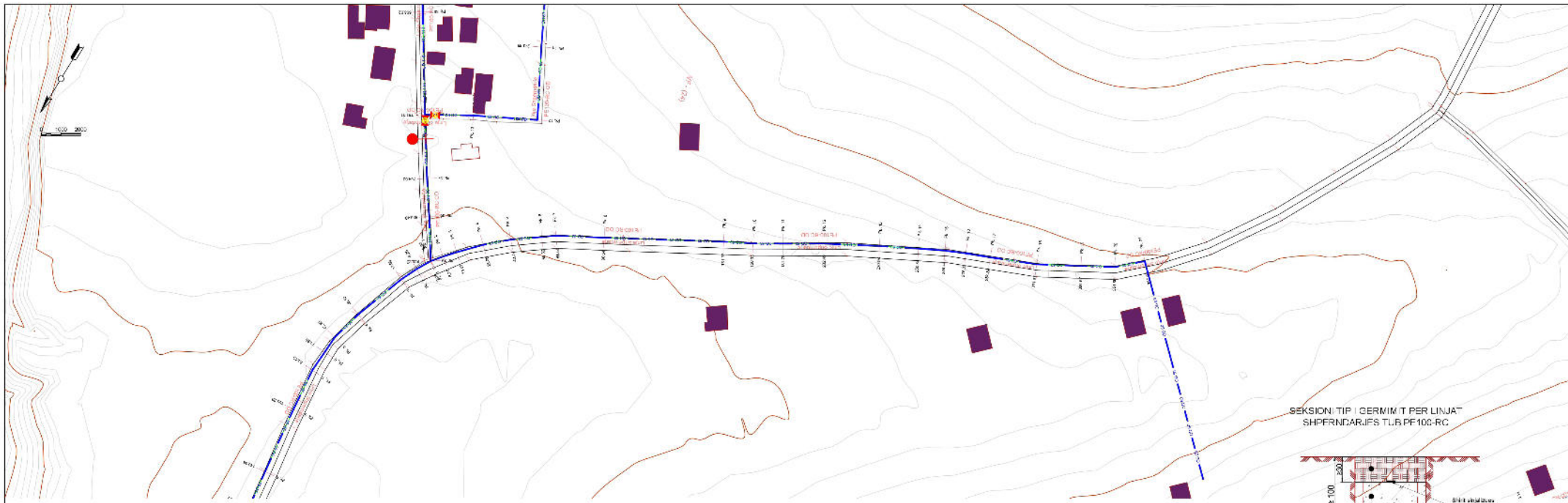


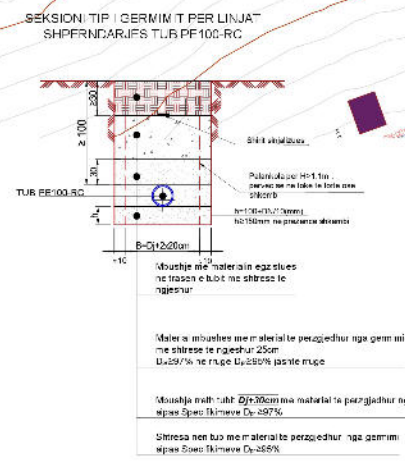
SEKSIONI TË PËR GJERM MIT PËR LINJAT SHPERNDARJES TUB PE100-RC



# PROFILI GJATESORE LINJE SHPERNDARJE

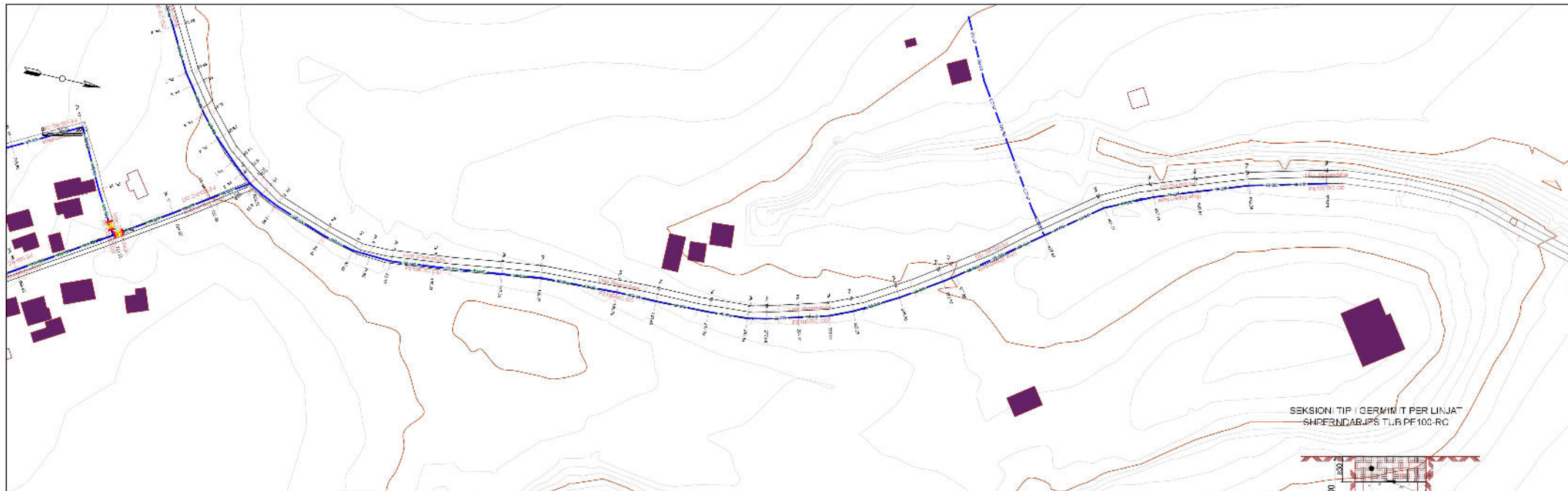


FUNDRESH	TUB HDPE100-RC DJ63 PN10								TUB HDPE100-RC DJ63 PN10								TUB HDPE100-RC DJ63 PN10															
	L=95.21m T=0.07%				L=112.31m T=0.12%				L=100.41m T=0.07%				L=253.11m T=0.07%																			
EXKAVIMIN SHPERKIM	1	2	3	4	5	6	7	8	9	10	11	12	13	14	15	16	17	18	19	20	21	22	23	24	25	26	27	28	29	30		
PROJEKT ELEVATIONI KUFOR E PROJEKTI	389.74	389.26	388.77	388.28	387.79	387.30	386.81	386.32	385.83	385.34	384.85	384.36	383.87	383.38	382.89	382.40	381.91	381.42	380.93	380.44	379.95	379.46	378.97	378.48	377.99	377.50	377.01	376.52	376.03	375.54	375.05	
GRUND ELEVATIONI KUFOR E TOKES	389.74	389.26	388.77	388.28	387.79	387.30	386.81	386.32	385.83	385.34	384.85	384.36	383.87	383.38	382.89	382.40	381.91	381.42	380.93	380.44	379.95	379.46	378.97	378.48	377.99	377.50	377.01	376.52	376.03	375.54	375.05	
NODE NUMBER NUMERI PRITETES	1	2	3	4	5	6	7	8	9	10	11	12	13	14	15	16	17	18	19	20	21	22	23	24	25	26	27	28	29	30		
FARKU NIVELIS (MACE MILIMETRA FJESHORE)	0.00	0.00	0.00	0.00	0.00	0.00	0.00	0.00	0.00	0.00	0.00	0.00	0.00	0.00	0.00	0.00	0.00	0.00	0.00	0.00	0.00	0.00	0.00	0.00	0.00	0.00	0.00	0.00	0.00	0.00	0.00	
PROGRESSIVE DISTANCE Distanca Progressive	0.00	4.75	9.50	14.25	29.00	33.75	38.50	43.25	48.00	52.75	57.50	62.25	67.00	71.75	76.50	81.25	86.00	90.75	95.50	100.25	105.00	109.75	114.50	119.25	124.00	128.75	133.50	138.25	143.00	147.75	152.50	
KILLIPIE NIVELI RANZHI	0.20																															
NOTES SHENJE	BANKINE ME CAKULL								BANKINE ME CAKULL								BANKINE ME CAKULL															

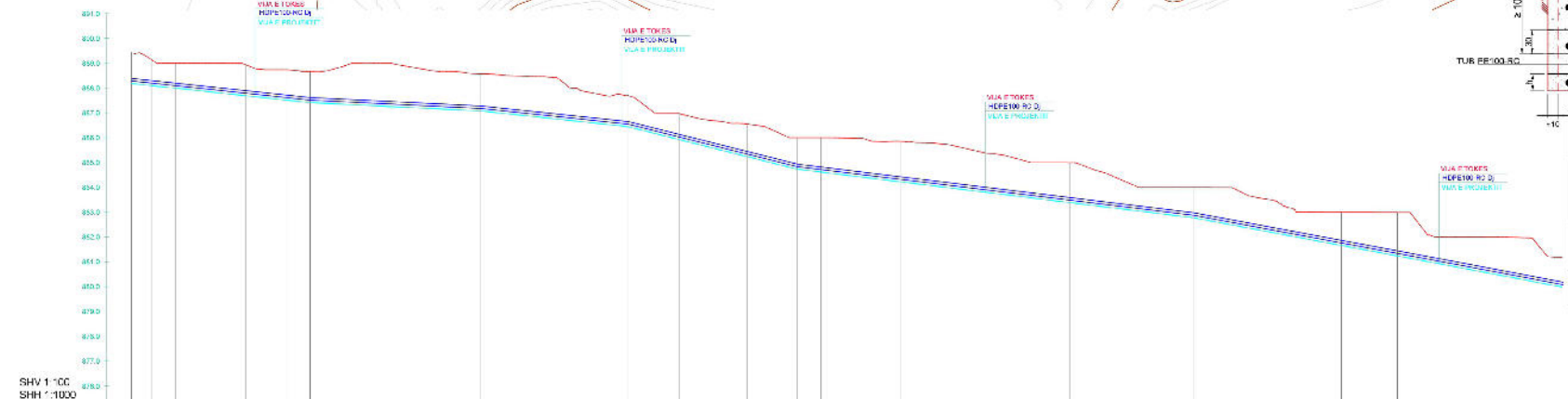
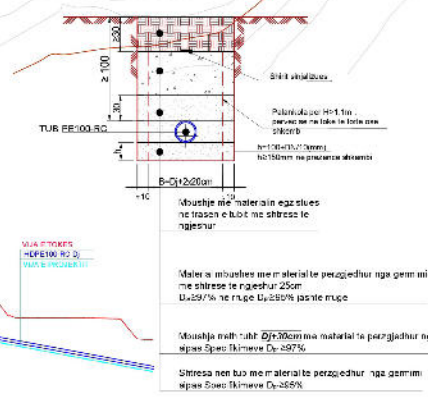


Hartoi:  
 Ing. Ilir PAPA  
 Ing. Thoma KOROVESHI

# PROFILI GJATESORE LINJE SHPERNDARJE



SEKSIONI TIP I CERMIMIT PER LINJAT SHPERNDARJES TUB PE 100-RC

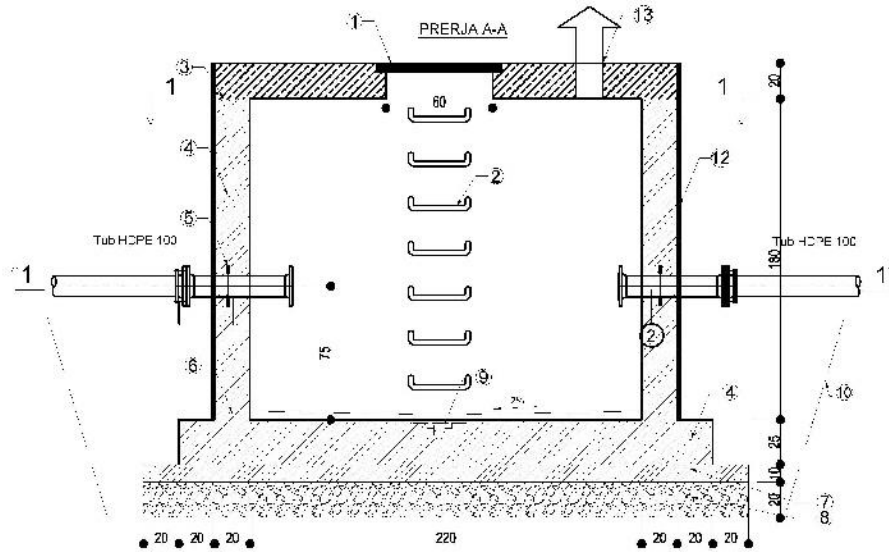


VERIMILIS ELEMENTS ELEMENTS	TUB HDPE100-RC D163 PN10					TUB HDPE100-RC D163 PN10					TUB HDPE100-RC D163 PN10					TUB HDPE100-RC D163 PN10					TUB HDPE100-RC D163 PN10									
FIJERRESA	L=72.0m I=0.0007					L=75.3m I=0.0008					L=68.2m I=0.0023					L=59.6m I=0.0023					L=56.6m I=0.0097									
EXCAVATION DEPTH	1.24	1.24	1.24	1.24	1.24	1.24	1.24	1.24	1.24	1.24	1.24	1.24	1.24	1.24	1.24	1.24	1.24	1.24	1.24	1.24	1.24	1.24	1.24	1.24	1.24	1.24	1.24	1.24	1.24	1.24
PROJECT ELEVATION	855.10	855.10	855.10	855.10	855.10	855.10	855.10	855.10	855.10	855.10	855.10	855.10	855.10	855.10	855.10	855.10	855.10	855.10	855.10	855.10	855.10	855.10	855.10	855.10	855.10	855.10	855.10	855.10	855.10	855.10
GROUND ELEVATION	856.34	856.34	856.34	856.34	856.34	856.34	856.34	856.34	856.34	856.34	856.34	856.34	856.34	856.34	856.34	856.34	856.34	856.34	856.34	856.34	856.34	856.34	856.34	856.34	856.34	856.34	856.34	856.34	856.34	856.34
NOTE: FINISH																														
PARTIALS AND DISTANCE	0.25	0.40	0.45	0.62	0.05	1.14	0.15	0.15	0.15	0.15	0.15	0.15	0.15	0.15	0.15	0.15	0.15	0.15	0.15	0.15	0.15	0.15	0.15	0.15	0.15	0.15	0.15	0.15	0.15	0.15
PROGRESSIVE DISTANCE	0.00	0.25	0.65	1.05	1.10	2.24	3.38	3.53	3.68	3.83	4.98	5.13	5.28	5.43	5.58	6.73	6.88	7.03	7.18	7.33	8.48	8.63	8.78	8.93	9.08	10.23	10.38	10.53	10.68	10.83
NOTE: CONTRACT																														
NOTES	BANKINE ME CAKULL					BANKINE ME CAKULL					BANKINE ME CAKULL					BANKINE ME CAKULL					BANKINE ME CAKULL									

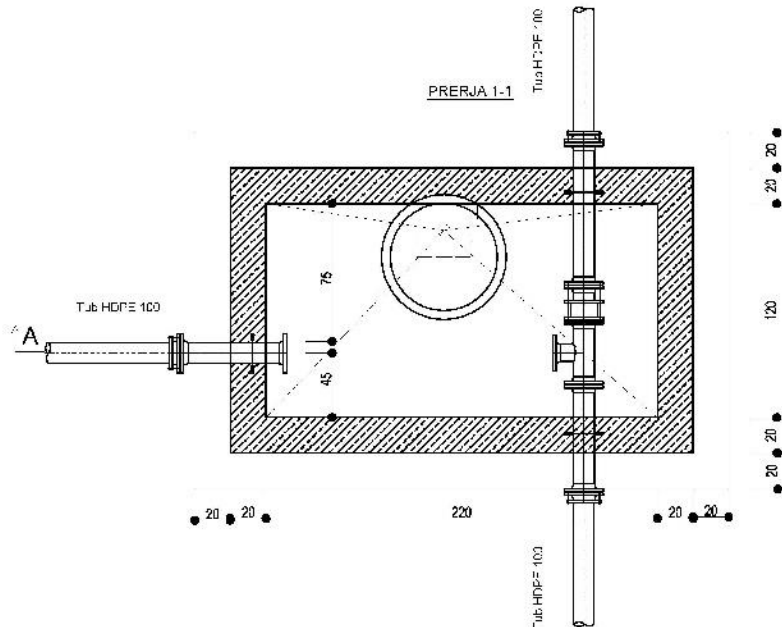
Hartoi:  
 Ing. Ilir PAPA  
 Ing. Thoma KOROVESHI



PUSETA PIKA E LIDHJES, PRERJE A-A



PUSETA PIKA E LIDHJES, PLANIMETRI



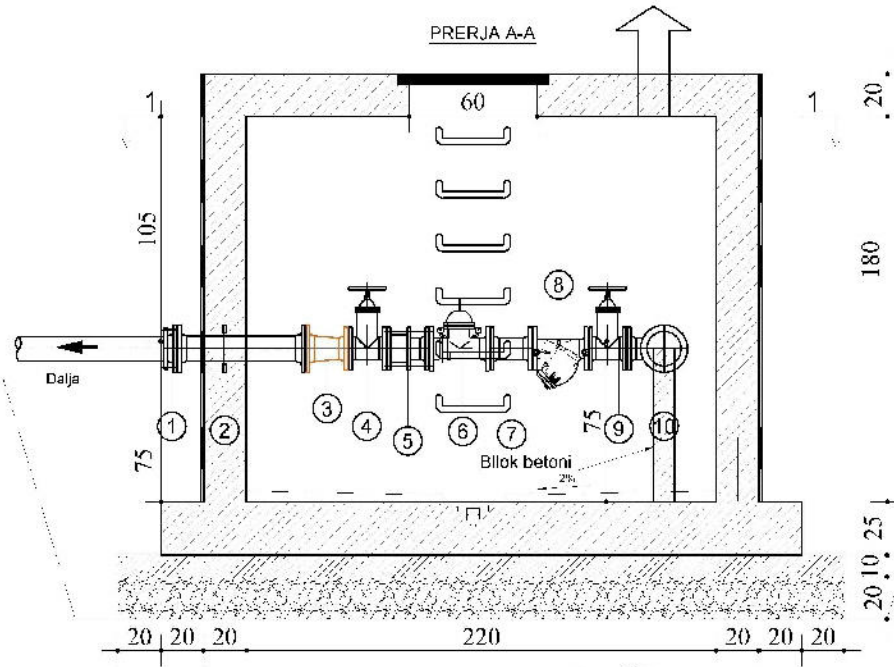
1	Kapak Gize dhe kornize, EN 124, Klasi A15 deri D400, me hapje 600mm
2	Shkalle, EN 13101, shkelja 300 x 150 mm
3	Nyje bashkimi e papershkueshme nga uji me material ngjites
4	Beton C20/25
5	Tub me gomine per kalimin e murit ose tub me flanaxhe, DN variabe
6	Waterstop
7	Beton I varfer C12/15, 10cm
8	Zhavor, 20cm, shkalla e ngjeshjes 97 %
9	Grope ne dysheme, 30x30x5 (e pajisur me pilete dhe tub 32 aty ku eshte I mundur drenazhi)
10	Mbushje perreth pusetes me material jo koheziv (tuke kategoria 3-4), ne shtresa prej 40 cm, shkalla e ngjeshjes 97 %
11	Beton C12/15 per suportin e tubave, dimensionet variojne
12	Tre shtresa me Bitum ne faqet e jashtme te mureve qe jane ne kontakt me dheun
13	Tub Arjimi

Hartoi:

Ing. Ilir PAPA

Ing. Thoma KOROvesHI

PUSETA PIKA E LIDHJES, TUBA DHE RAKORDERI, PLANIMETRIA, MEKANIKET



PUSETA PIKA E LIDHJES TUBA DHE RAKORDERI, MEKANIKET

PRERJA 1-1

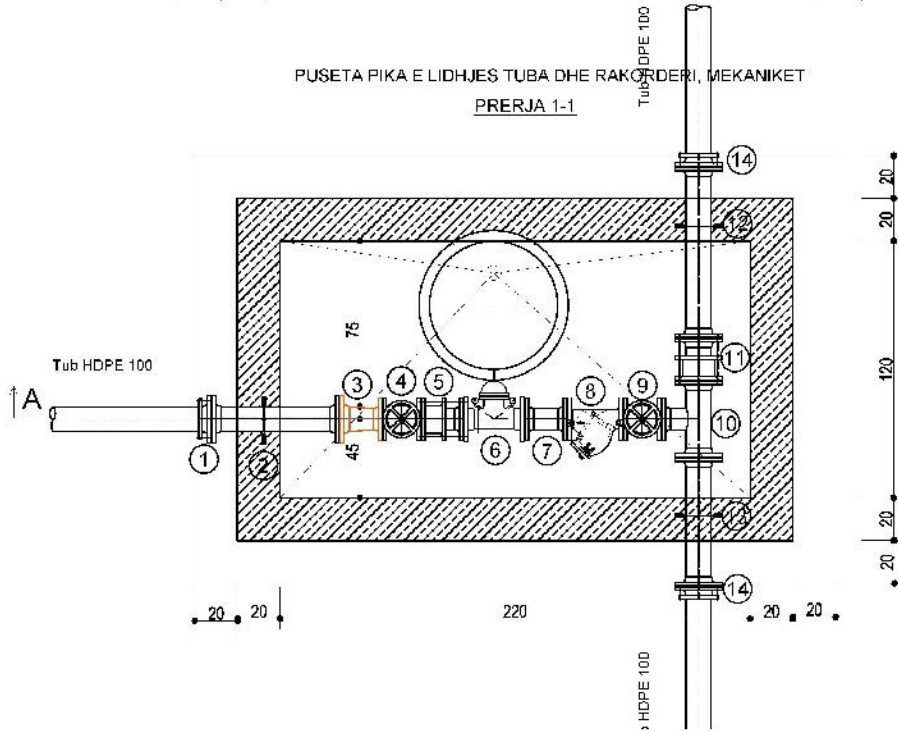


Tabela e Rakorderive

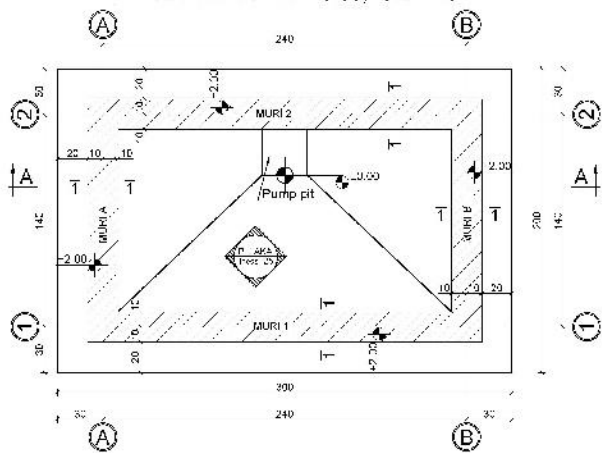
Pozicion	Pershkrimi	Diametri	Gatesia	Presioni	Njesia	Sasia
[ - ]	[ - ]	[mm]	[mm]	[bar]	[ - ]	[ - ]
1	Fllanxhe adaptor PE	100	var	10	PC	1
2	Tub me fllanxha (FFG)	100	600	10	PC	1
3	Reduktues me fllanxha FFR	100/80	-	-	PC	1
4	Saracineska me vo ant	80	150	16	PC	1
5	Xharka cimitrimi me fllanxha (PAF)	80	200	10	PC	1
8	Valvul per kontrollim e prurjes FCV	80	260	10 <sup>1/2</sup> B	PC	1
7	Tub me fllanxha (FFG)	80	250	10	PC	1
8	Filter me fllanxha	80	230	10	PC	1
9	Saracineska me vo ant	80	150	16	PC	1
10	T me fllanxha (T)	100/80	300*150	10	PC	1
11	Xharka cimitrimi me fllanxha (PAF)	100	200	10	PC	1
12	Tub me fllanxha (FFG)	100	800	10	PC	1
13	Tub me fllanxha (FFG)	100	800	10	PC	1
14	Fllanxhe adaptor PE	100	var	10	PC	2

Hartoi:

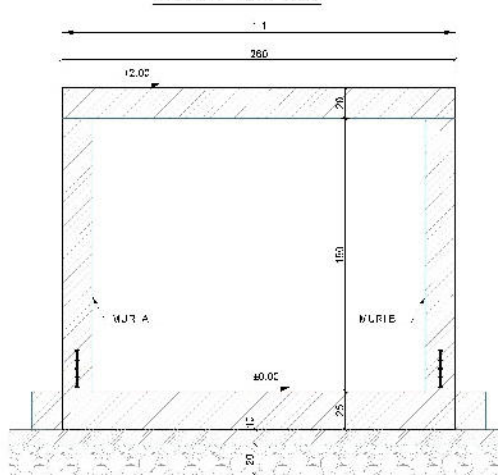
Ing. Ilir PAPA

Ing. Thoma KOROVESHI

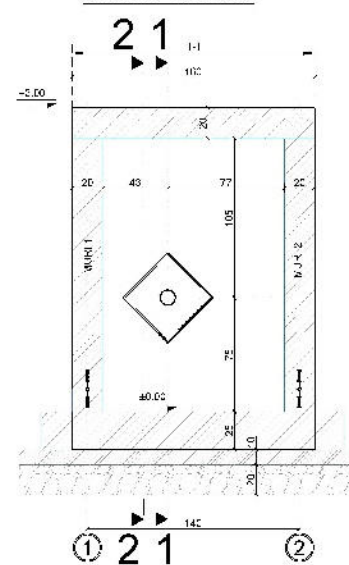
PLANI I THEMELIT ±0.00, Sh. 1:25



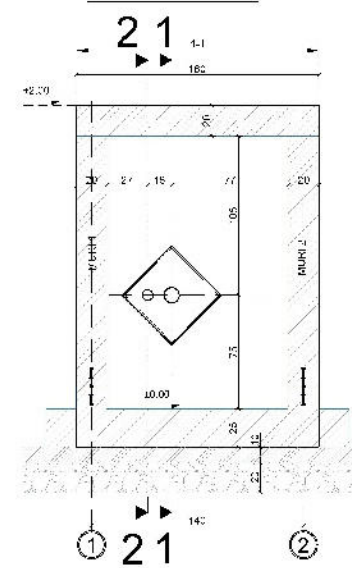
MURI 1 Sh. 1:25



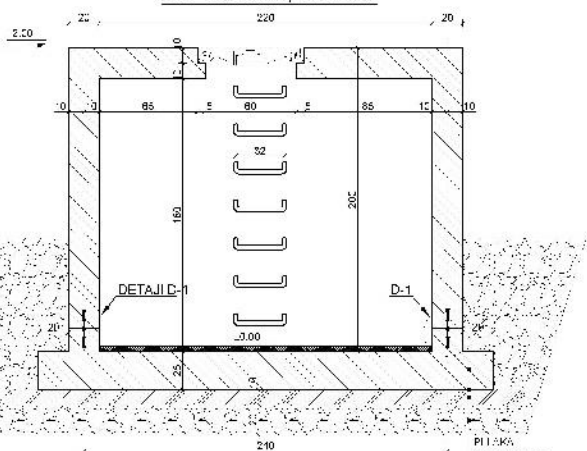
MURI A Sh. 1:25



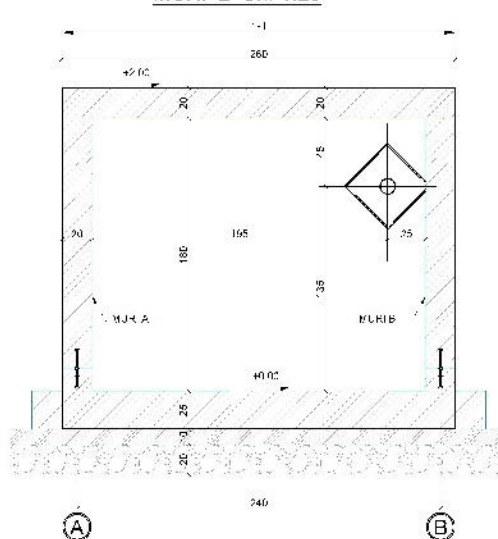
MURI B Sh. 1:25



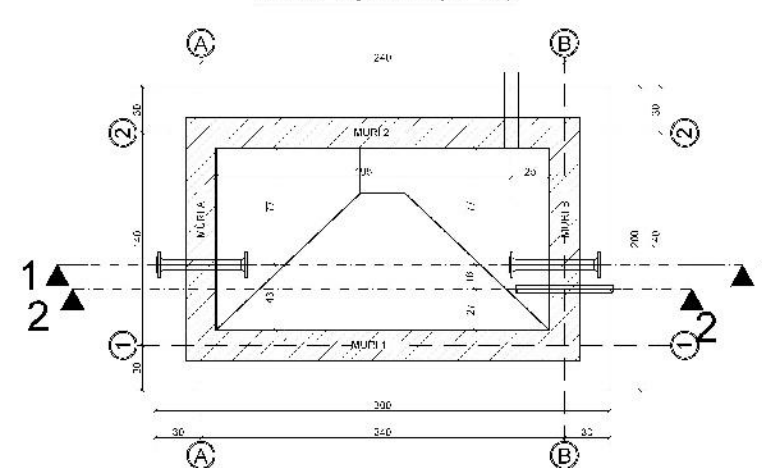
PRERJA A-A, Sh. 1:25



MURI 2 Sh. 1:25



PLANI I MUREVE Sh. 1:25



DETAJI D-1  
Armimi i waterstopit,  
Sh. 1:20

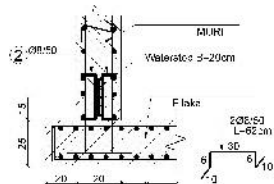


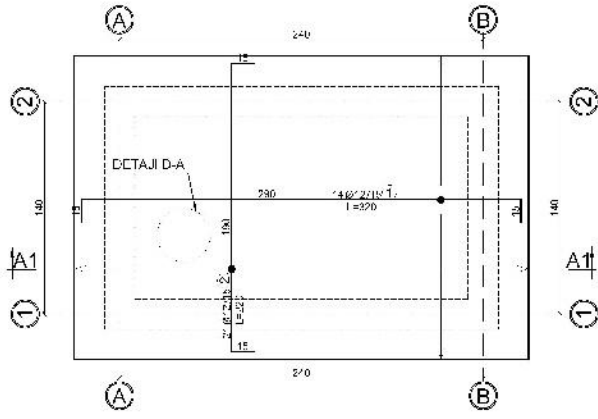
Tabela e Specifikimit të Urdhërimit										
Ordheri	Urdheri	nr	mm	cm	metra	m	mm	kg/m	kg	kg
2	1	-	0	02	32	17.3	8	0.305	5.254	7.82
										7.82

BETONI: C20/25  
HUKURI: B 500B  
SHTRESA MBROJTJESE: a=2.5cm

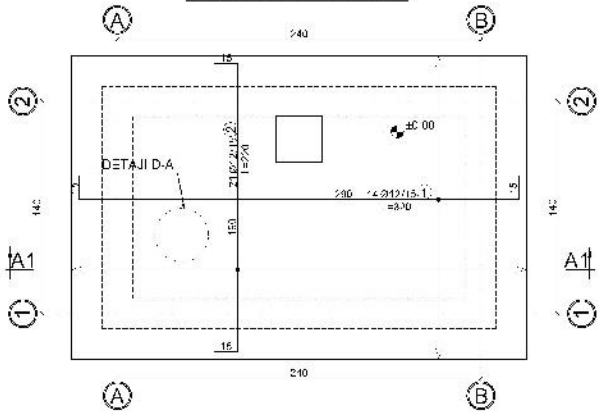
Tabela përmbledhore e Specifikimit të Hekurit				
Ø	Pesha njësi	Gjatësia totale	Pesha	Totali
mm	kg/m	m	t	t
8	0.395	89.26	0.04	
10	0.617	357.26	0.22	0.58
12	0.888	481.58	0.43	

Hartoi:  
Ing. Ilir PAPA  
Ing. Thoma KOROVESHI

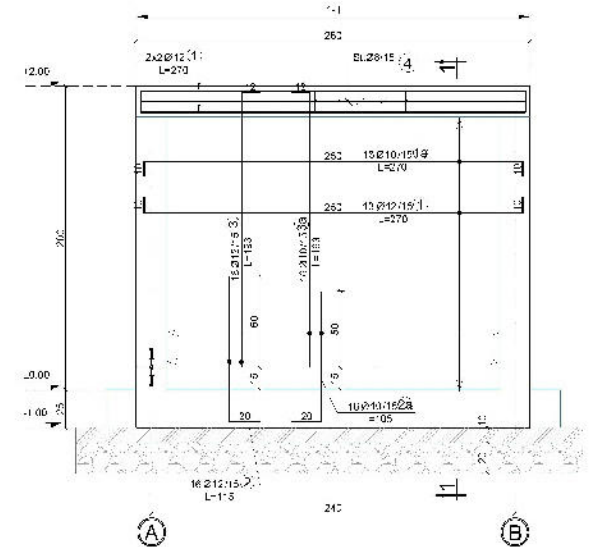
**PLLAKA SHUFRA T E SIPERME KUOTA**  
±0.00, Sh. 1:25



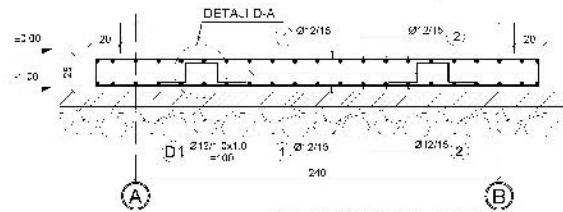
**PLLAKA LOWER REINFORCEMENT**  
KUOTA ±0.00, Sh. 1:25



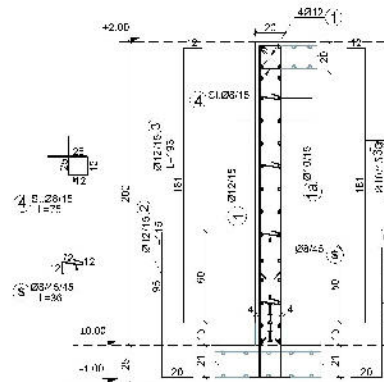
**MURI 1 & 2 Sh. 1:25**



**PRERJA A1-A1, Sh. 1:25**

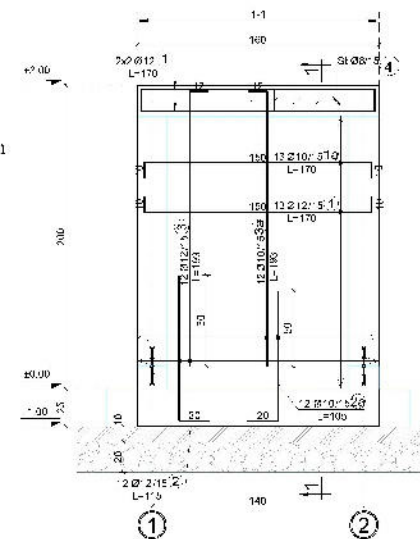


**PRERJA 1-1, Sh. 1:25**

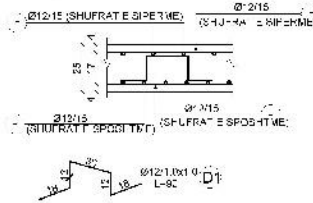


**BETONI: C20/25**  
**HEKURI: B 500B**  
**SHTRESA MBROJITJESE: a=2.5cm**

**MURI A & B Sh. 1:25**



**DETAJI D-A, Sh. 1:25**



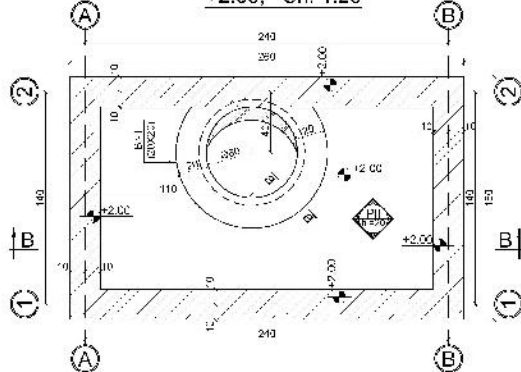
Emertimi	Copë	h	m	cm	Salla	m	m <sup>2</sup>	kg/m <sup>2</sup>	m	kg
Pllaka shufra te sipërme	1	12	520	14	44.80					
	2	12	240	14	45.20	12	0.828	107.20	85.17	95.17
	3	12	300	13	3.20					
<b>Pesha totale</b>										<b>95.17</b>
Pllaka shufra te sipërme	1	12	520	14	44.8					
	2	12	240	14	45.2	12	0.828	95.00	80.79	90.79
	3	12	300	13	3.20					
<b>Pesha totale</b>										<b>90.79</b>

Emertimi	Copë	h	m	cm	Salla	m	m <sup>2</sup>	kg/m <sup>2</sup>	m	kg
Muri 1 & 2	1	12	2600	240	6240	12	0.145	20.73	11.77	227.44
	2	12	2600	200	5200	10	0.617	82.78	51.00	53.95
	3	12	2600	240	6240	12	0.588	93.18	116.20	158.00
<b>Muri A &amp; B</b>										<b>235.39</b>
Muri A & B	1	12	1600	240	3840	12	0.145	20.91	5.31	5.31
	2	12	1600	200	3200	10	0.617	84.70	31.79	31.79
	3	12	1600	240	3840	12	0.848	88.02	70.82	70.82
<b>Muri A &amp; B</b>										<b>107.92</b>
<b>Muri 1 &amp; 2</b>										<b>235.39</b>

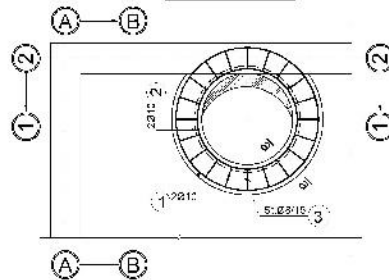
Hartoi:  
**Ing. Ilir PAPA**  
**Ing. Thoma KOROVESHI**



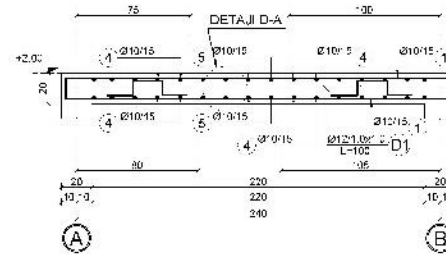
PLANI I STRUKTURES KUOTA +2.00, Sh. 1:25



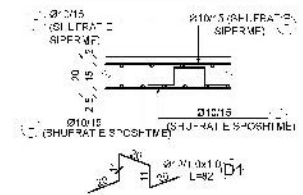
Br-1 Sh. 1:25



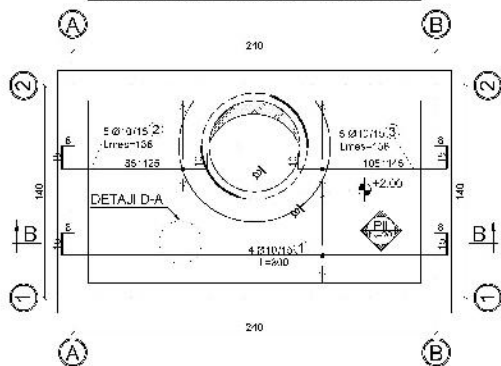
PRERJA B-B Sh. 1:25



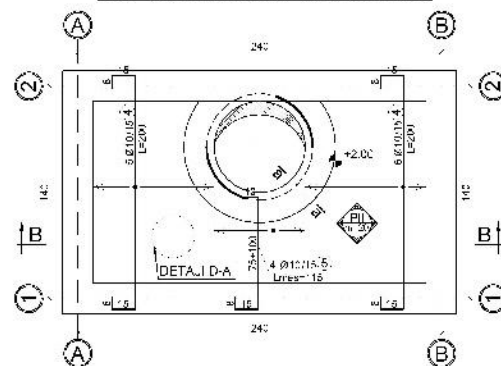
DETAJI D-A Sh. 1:25



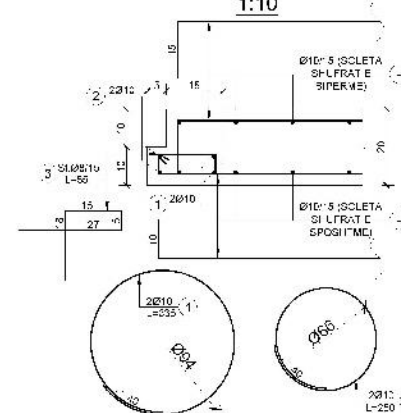
SOLETA KUOTA +2.00 (SHUFRAT E SPOSHTME, drejtimi 1), Sh. 1:25



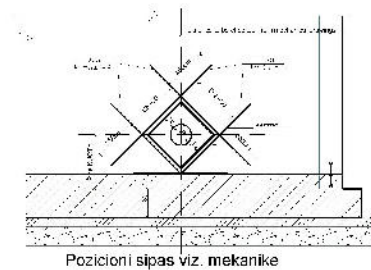
SOLETA KUOTA +2.00 (SHUFRAT E SPOSHTME, drejtimi 2), Sh. 1:25



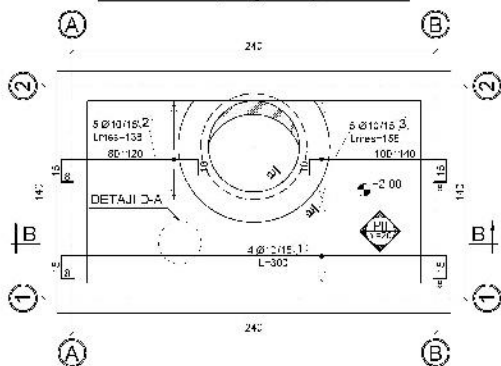
PRERJA a-a Sh. 1:10



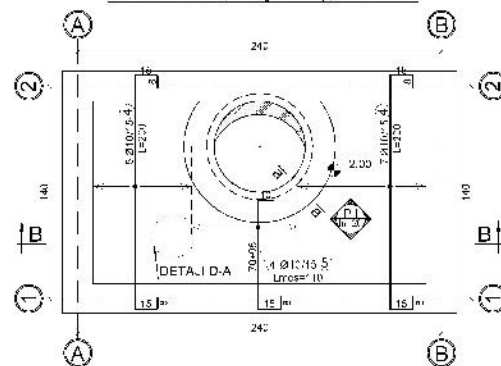
Detaji i kalimit te murit



SOLETA KUOTA +2.00 (SHUFRAT E SIPERME, drejtimi 1), Sh. 1:25



SOLETA KUOTA +2.00 (SHUFRAT E SIPERME, drejtimi 2), Sh. 1:25



Bilanci i Shtresave Mbrotjeje										
Shprehja	Q	h	h <sub>0</sub>	h <sub>0</sub>	h <sub>0</sub>	h <sub>0</sub>	h <sub>0</sub>	h <sub>0</sub>	h <sub>0</sub>	h <sub>0</sub>
Shtresa +2.00 (Shufrat e Sipërme)	1	1	1.00	2	1.00	1.00	0.017	15.00	34.16	34.81
	1	1	1.00	2	1.00	1.00	0.017	15.00	34.16	34.81
	1	1	1.00	2	1.00	1.00	0.017	15.00	34.16	34.81
	1	1	1.00	2	1.00	1.00	0.017	15.00	34.16	34.81
	1	1	1.00	2	1.00	1.00	0.017	15.00	34.16	34.81
	1	1	1.00	2	1.00	1.00	0.017	15.00	34.16	34.81
	1	1	1.00	2	1.00	1.00	0.017	15.00	34.16	34.81
	1	1	1.00	2	1.00	1.00	0.017	15.00	34.16	34.81
	1	1	1.00	2	1.00	1.00	0.017	15.00	34.16	34.81
	1	1	1.00	2	1.00	1.00	0.017	15.00	34.16	34.81
Totali									34.16	34.81

BETONI: C20/25  
HEKURI: B 500B  
SHTRESA MBROJTESE: a=2.5cm

Hartoi:  
Ing. Ilir PAPA  
Ing. Thoma KOROVESHI