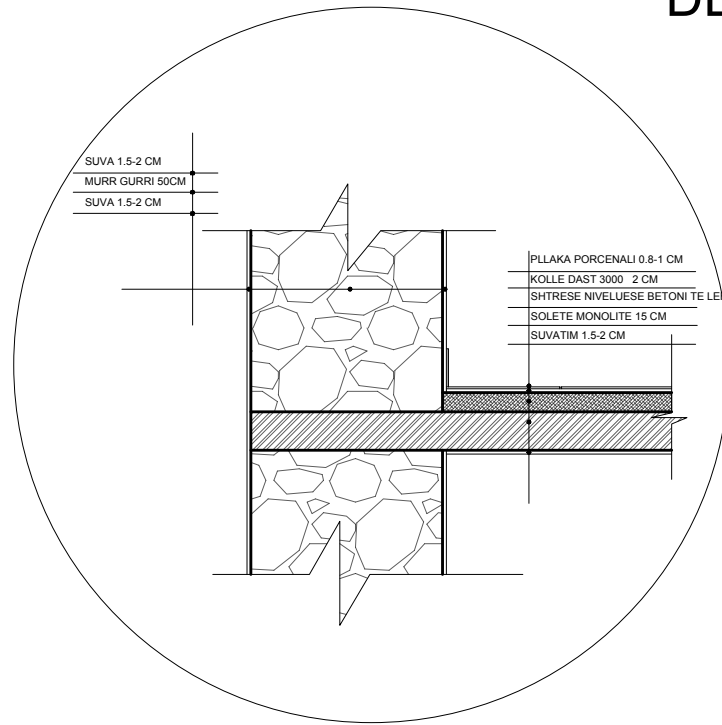
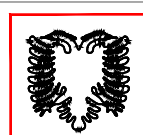
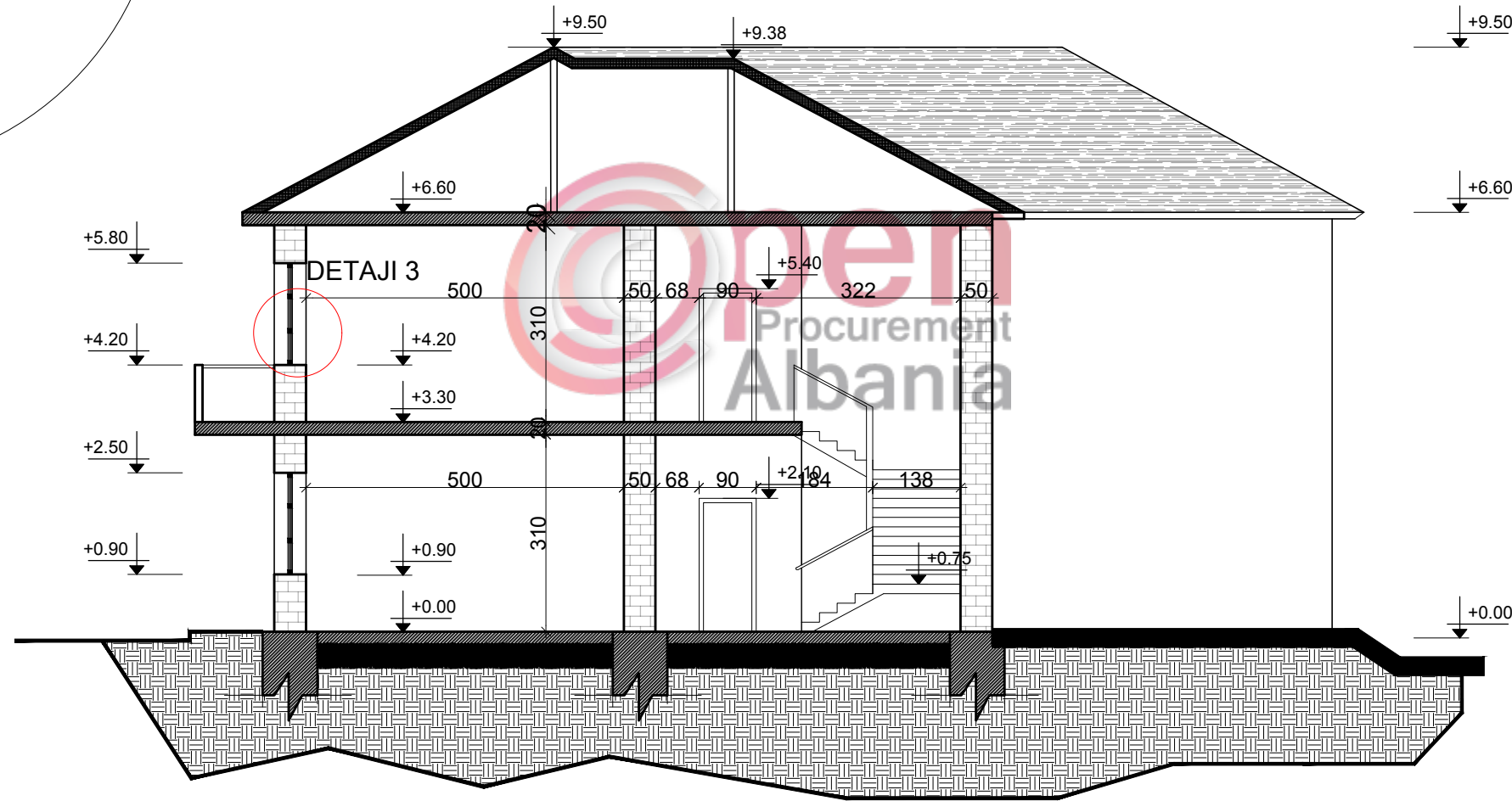
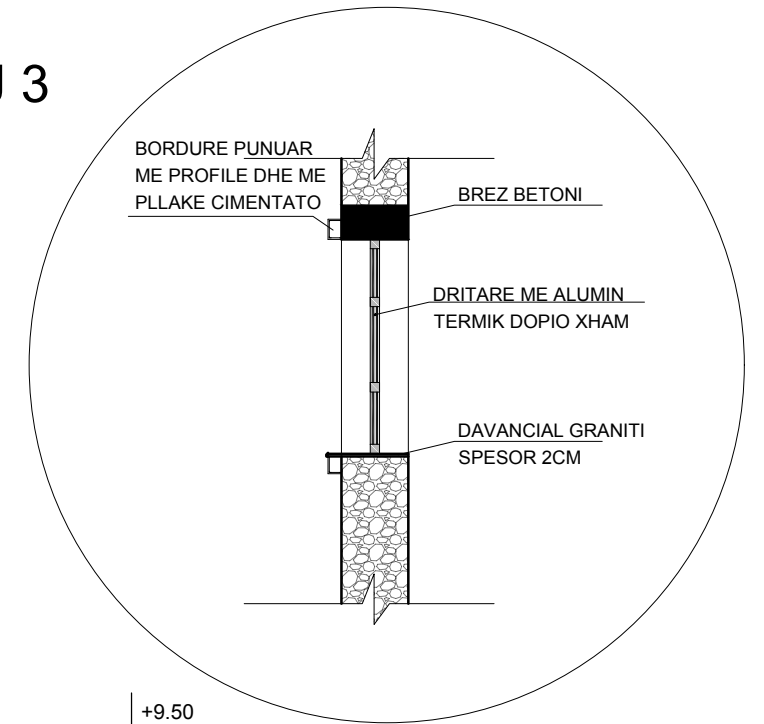


DETAJ 2



DETAJ 3



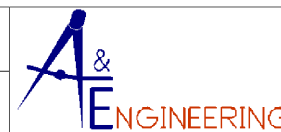
REPUBLIKA E SHQIPERISE
BASHKIA TROPOJE



PROJEKT ZBATIMI
2017

GRUPI I PROJEKTIMIT

Ing. ENTELA CANO Ark. ARBER BUZI Ing. MEFAIL HALILAJ
Ing. ERJONA BUJUPI Ing. VIANTEROLA ISUFI Ing. NEVILA XHEMALAJ
Ing. BESJANA MEMOCI Ing. EDLIRA KONDO Ing. ENIDA SHERRI



"A & E ENGINEERING" sh.p.k
Adresa: Rr. "ISLAM ALLA"
Mob: ++355 (0)69 2079981
Mob: ++355 (0)69 2079982

RIKOSTRUKSIONI I SHKOLLE "TINKA KURTI" LEKBIBAJ SHKALLA.
PRERJE B-B FL. A18 1:150